

US00D531341S

(12) **United States Design Patent**
Chen

(10) **Patent No.:** **US D531,341 S**

(45) **Date of Patent:** **** Oct. 31, 2006**

(54) **SOLAR LAMP**

(75) Inventor: **Chi Gon Chen**, Guang Zhou (CN)

(73) Assignee: **International Development Corp.**,
Roanoke, TX (US)

(**) Term: **14 Years**

(21) Appl. No.: **29/240,584**

(22) Filed: **Oct. 14, 2005**

(51) **LOC (8) Cl.** **26-05**

(52) **U.S. Cl.** **D26/67**

(58) **Field of Classification Search** D26/67-71;
362/152, 183, 431, 410-415

See application file for complete search history.

(56) **References Cited**

U.S. PATENT DOCUMENTS

D37,278 S	*	12/1904	Selling	D26/2
D106,031 S	*	9/1937	Gosling	D26/67
D197,438 S	*	2/1964	Harling et al.	D26/67
D249,819 S	*	10/1978	Asaki	D26/67
D329,100 S	*	9/1992	Hall et al.	D26/67
D346,873 S	*	5/1994	Frost	D26/67
D436,209 S	*	1/2001	De'Armond	D26/72
D492,055 S	*	6/2004	Hon et al.	D26/67

D497,021 S	*	10/2004	Pu	D26/67
D500,159 S	*	12/2004	Chen	D26/68
D503,008 S	*	3/2005	Chen	D26/68
D506,019 S	*	6/2005	Chen	D26/67
2003/0081406 A1	*	5/2003	Lin	362/96

* cited by examiner

Primary Examiner—Clare E Heflin

(74) *Attorney, Agent, or Firm*—Strasburger & Price, LLP

(57) **CLAIM**

I claim the ornamental design for a solar lamp, as shown and described.

DESCRIPTION

FIG. 1 is a perspective view of a solar lamp showing my design;

FIG. 2 is a front elevational view of the solar lamp with the rear elevation being identical thereto;

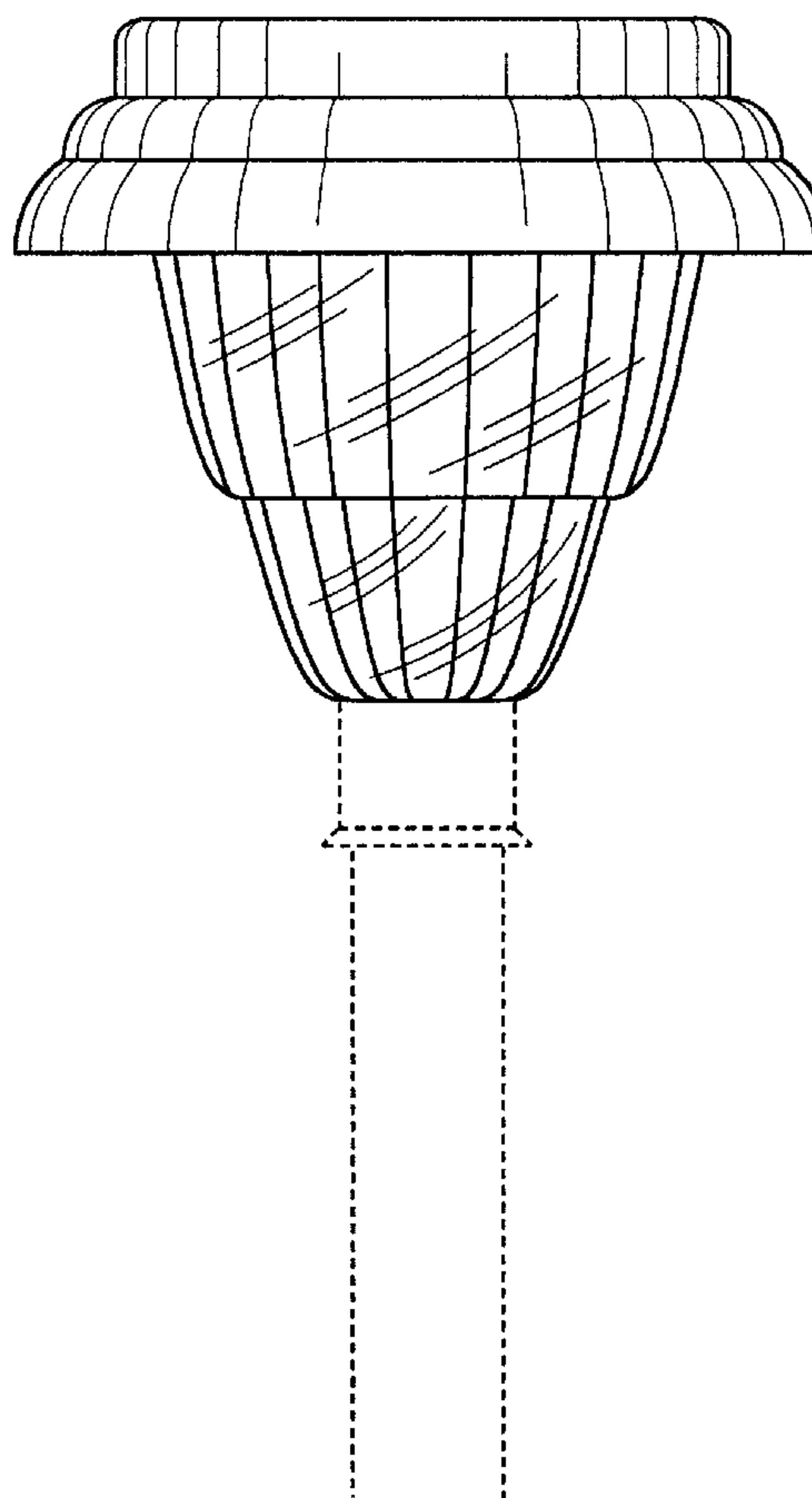
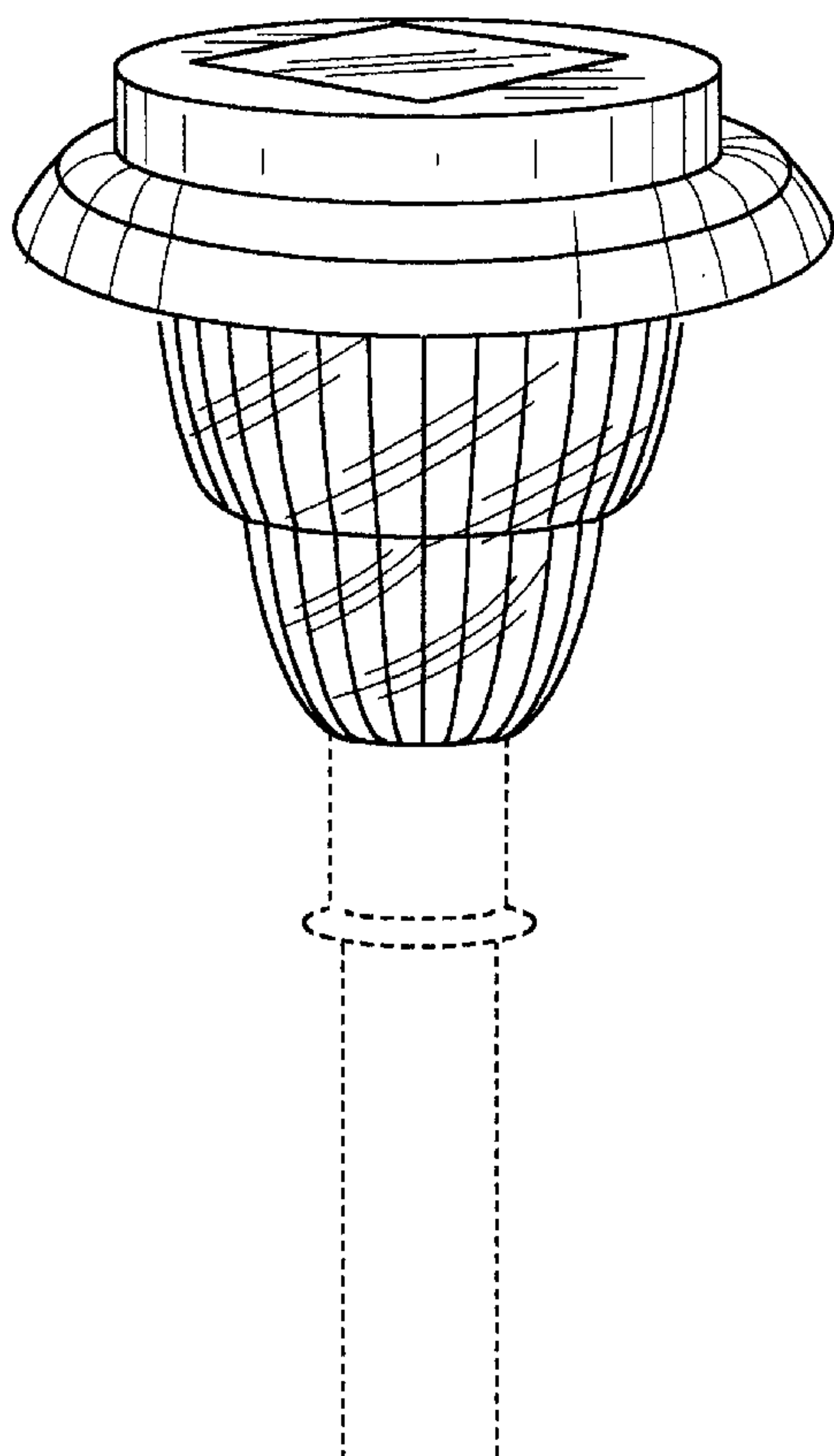
FIG. 3 is a left side view of the solar lamp with the right side elevation being identical thereto;

FIG. 4 is a top plan view of the solar lamp; and,

FIG. 5 is a bottom plan view of the solar lamp.

The broken lines showing a pole for the solar lamp are for illustrative purposes only and form no part of the claimed design.

1 Claim, 2 Drawing Sheets



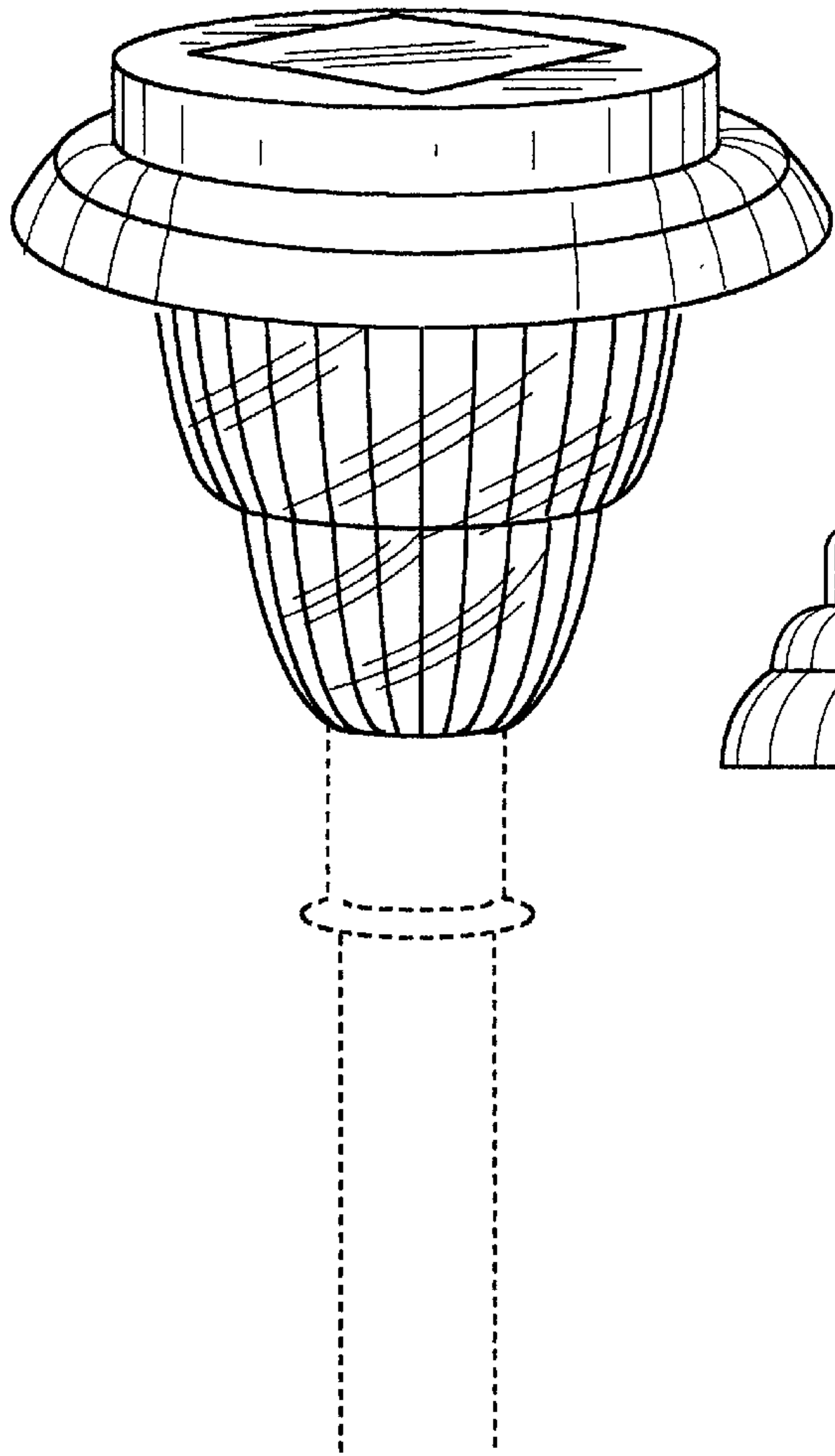


Fig. 1

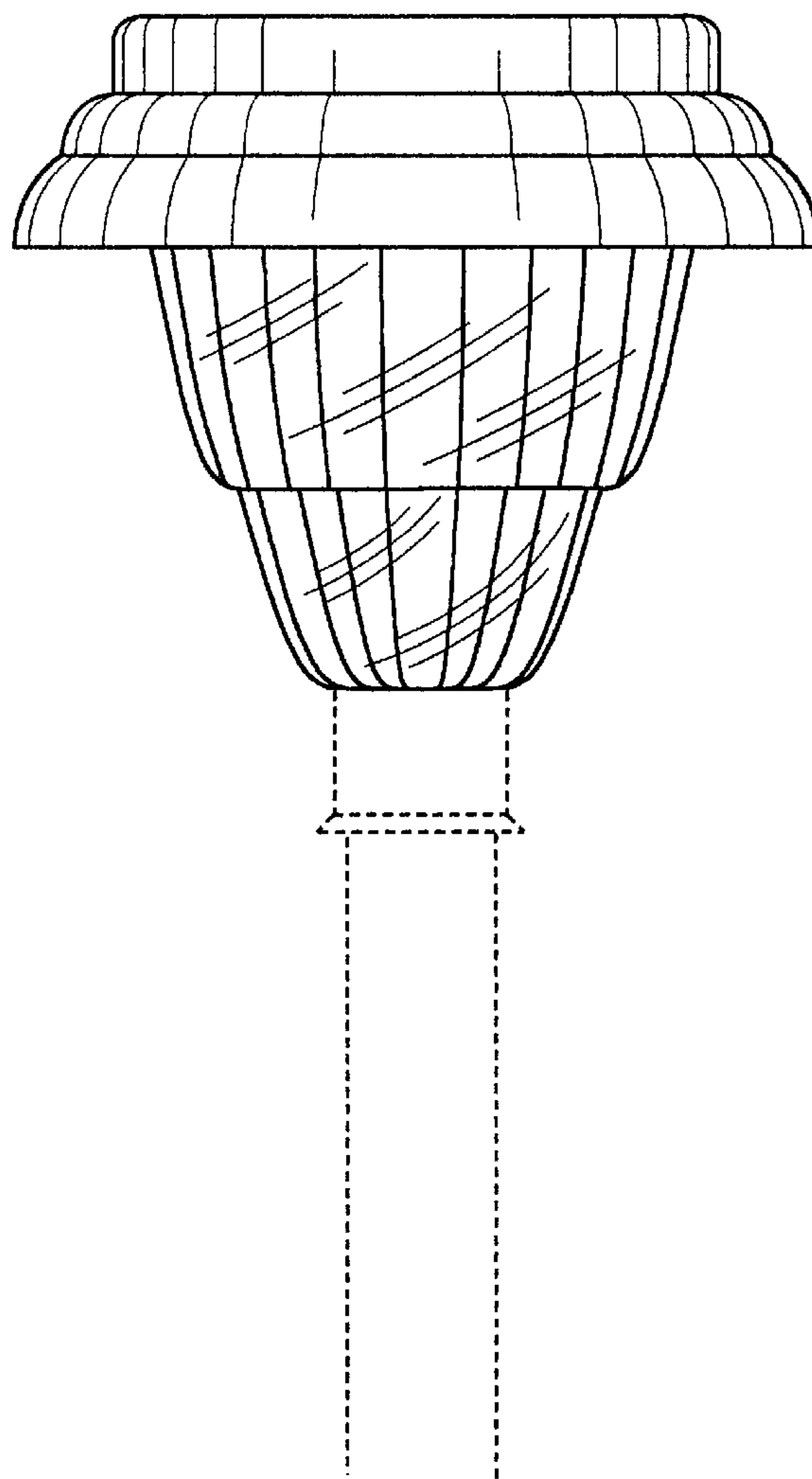


Fig. 2

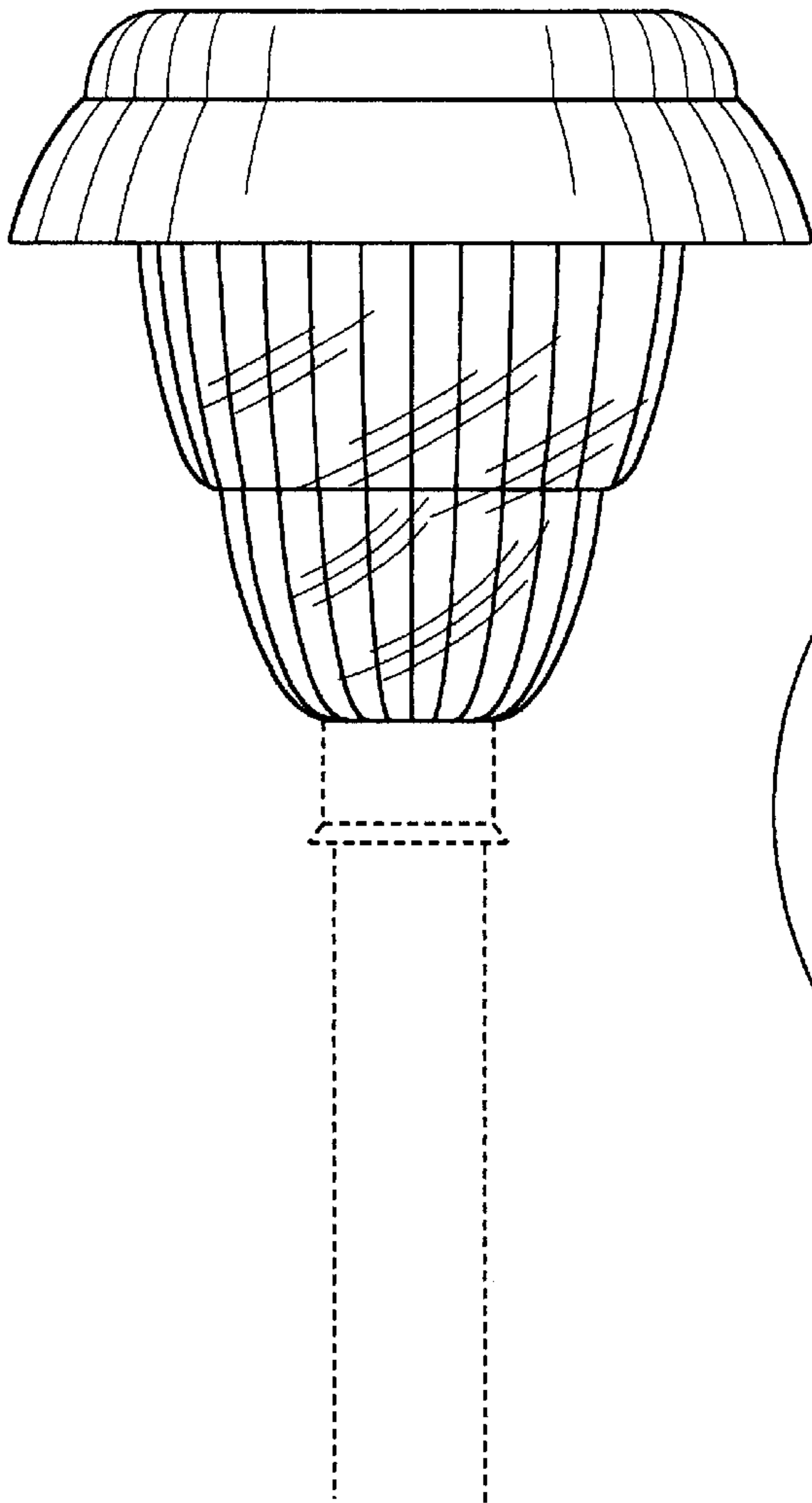


Fig. 3

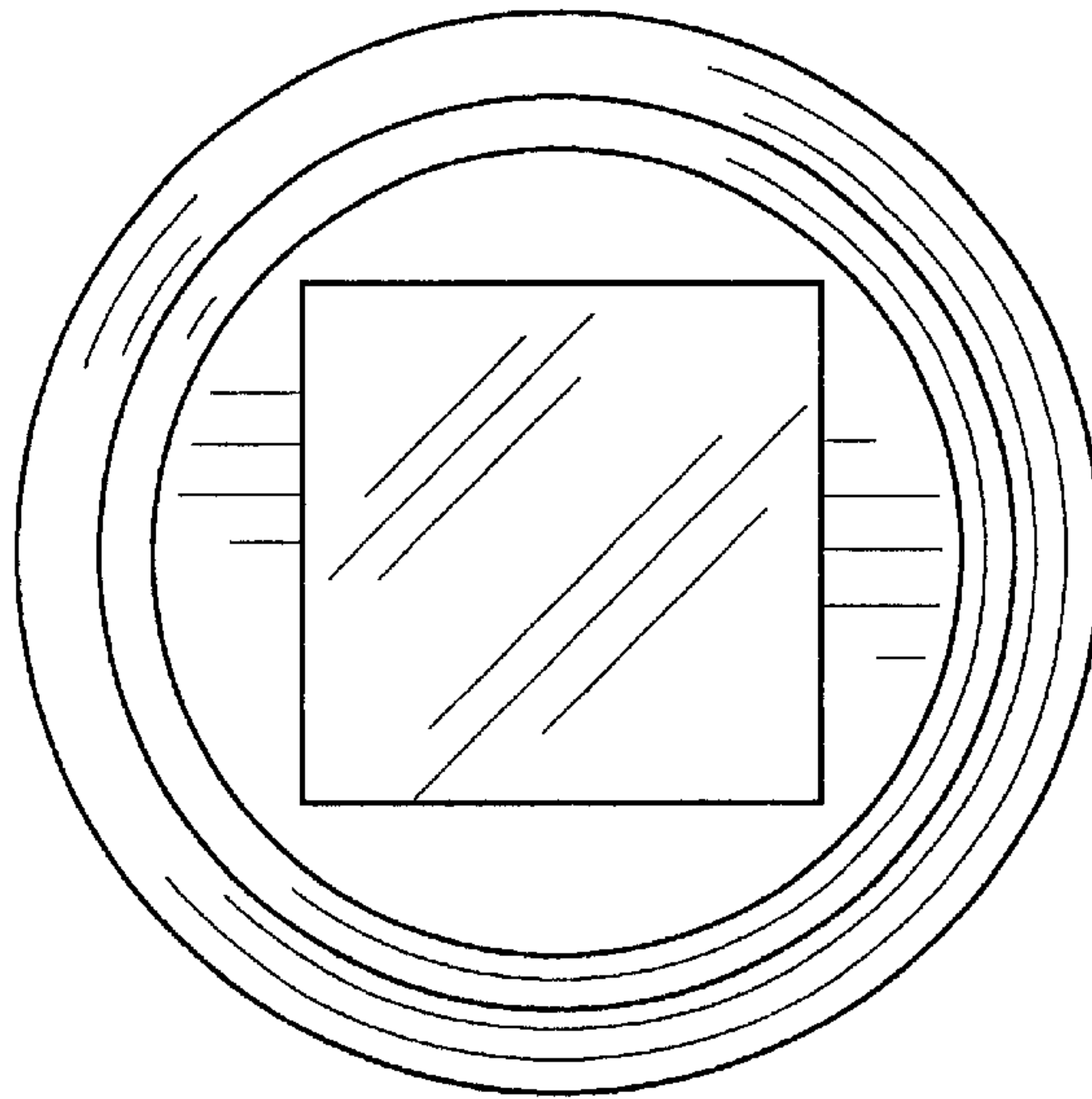


Fig. 4

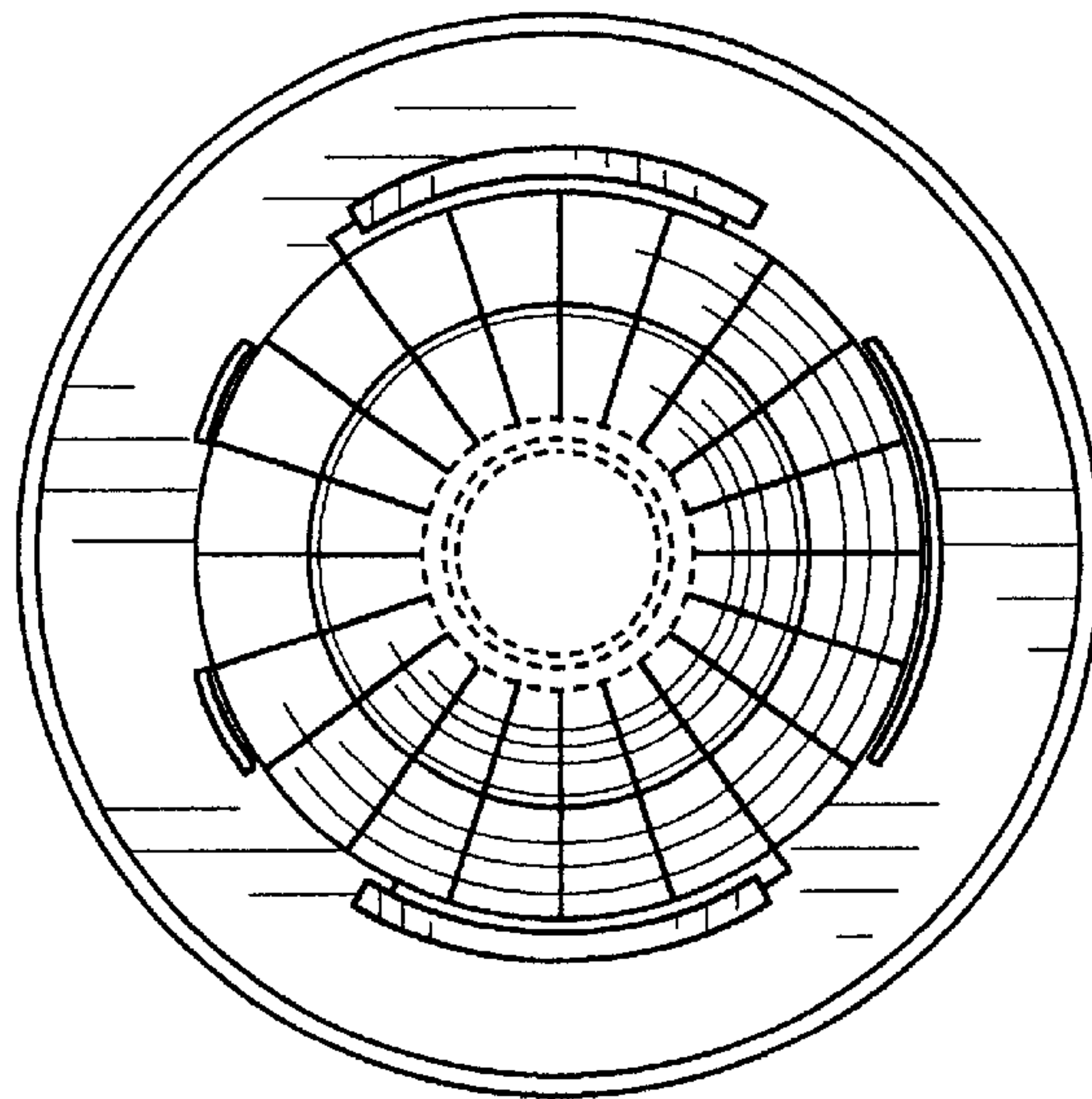


Fig. 5