



US00D531340S

(12) **United States Design Patent**  
**Victor**

(10) **Patent No.:** **US D531,340 S**

(45) **Date of Patent:** **\*\* Oct. 31, 2006**

(54) **SOLAR POWERED OUTDOOR LANTERN**

(76) Inventor: **Gary J. Victor**, 4 Constellation Way,  
Coto de Caza, CA (US) 92679

(\*\*) Term: **14 Years**

(21) Appl. No.: **29/235,841**

(22) Filed: **Aug. 8, 2005**

(51) **LOC (8) Cl.** ..... **26-05**

(52) **U.S. Cl.** ..... **D26/67; D26/67; D26/71**

(58) **Field of Classification Search** ..... **D26/67-71;**  
**362/152, 183, 431, 410-415**

See application file for complete search history.

(56) **References Cited**

**U.S. PATENT DOCUMENTS**

D56,157 S	*	8/1920	Hickey et al.	.....	D10/109
D79,199 S	*	8/1929	Merkle	.....	D26/70
D84,324 S	*	6/1931	Bowen	.....	D26/67
D93,236 S	*	9/1934	Browe	.....	D9/681
D216,750 S	*	3/1970	Klein	.....	D7/335
5,608,290 A		3/1997	Hutchisson et al.		

5,929,788 A	7/1999	Vukosic	
5,957,564 A	9/1999	Bruce et al.	
6,364,506 B1	4/2002	Gallo	
D483,138 S	* 12/2003	Chen	..... D26/67
2003/0214259 A9	11/2003	Dowling et al.	

\* cited by examiner

*Primary Examiner*—Clare E Heflin

(74) *Attorney, Agent, or Firm*—Harold L. Jackson

(57) **CLAIM**

The ornamental design for a solar powered outdoor lantern, as shown and described.

**DESCRIPTION**

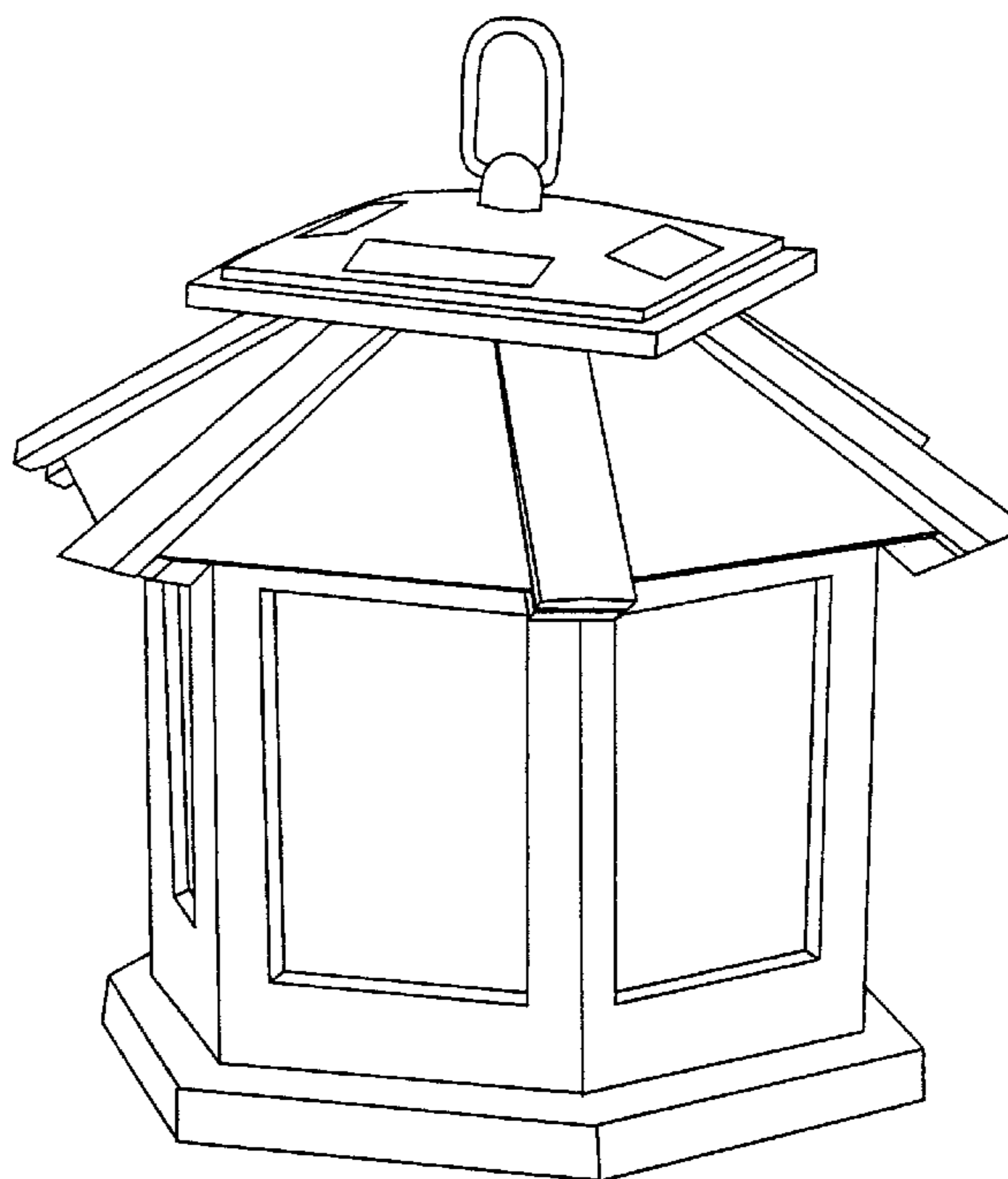
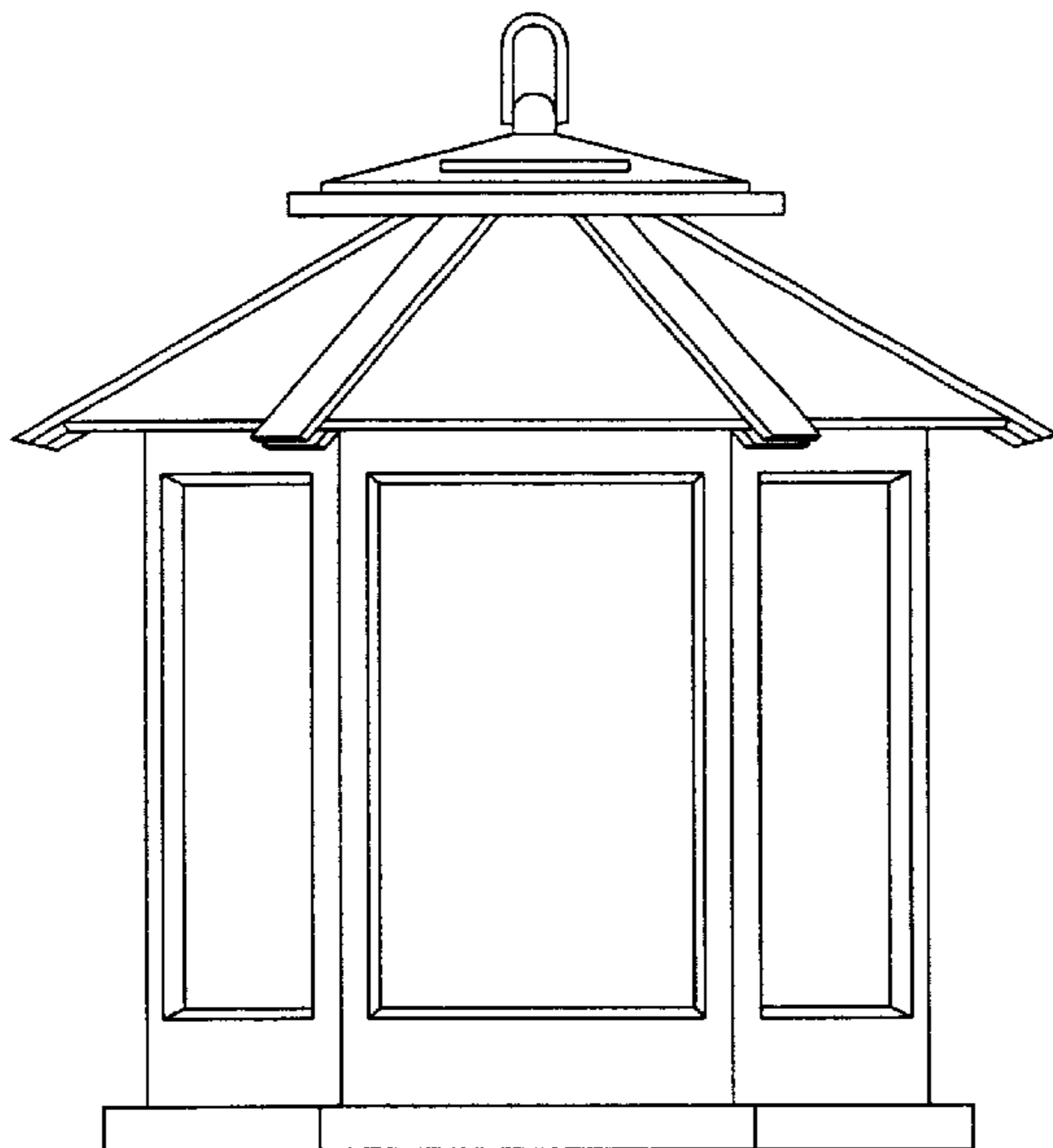
FIG. 1 is a side elevational view of the solar powered outdoor lantern;

FIG. 2 is a perspective view of the solar powered outdoor lantern;

FIG. 3 is a top plan view of the solar powered outdoor lantern; and,

FIG. 4 is a bottom view of the solar powered outdoor lantern.

**1 Claim, 2 Drawing Sheets**



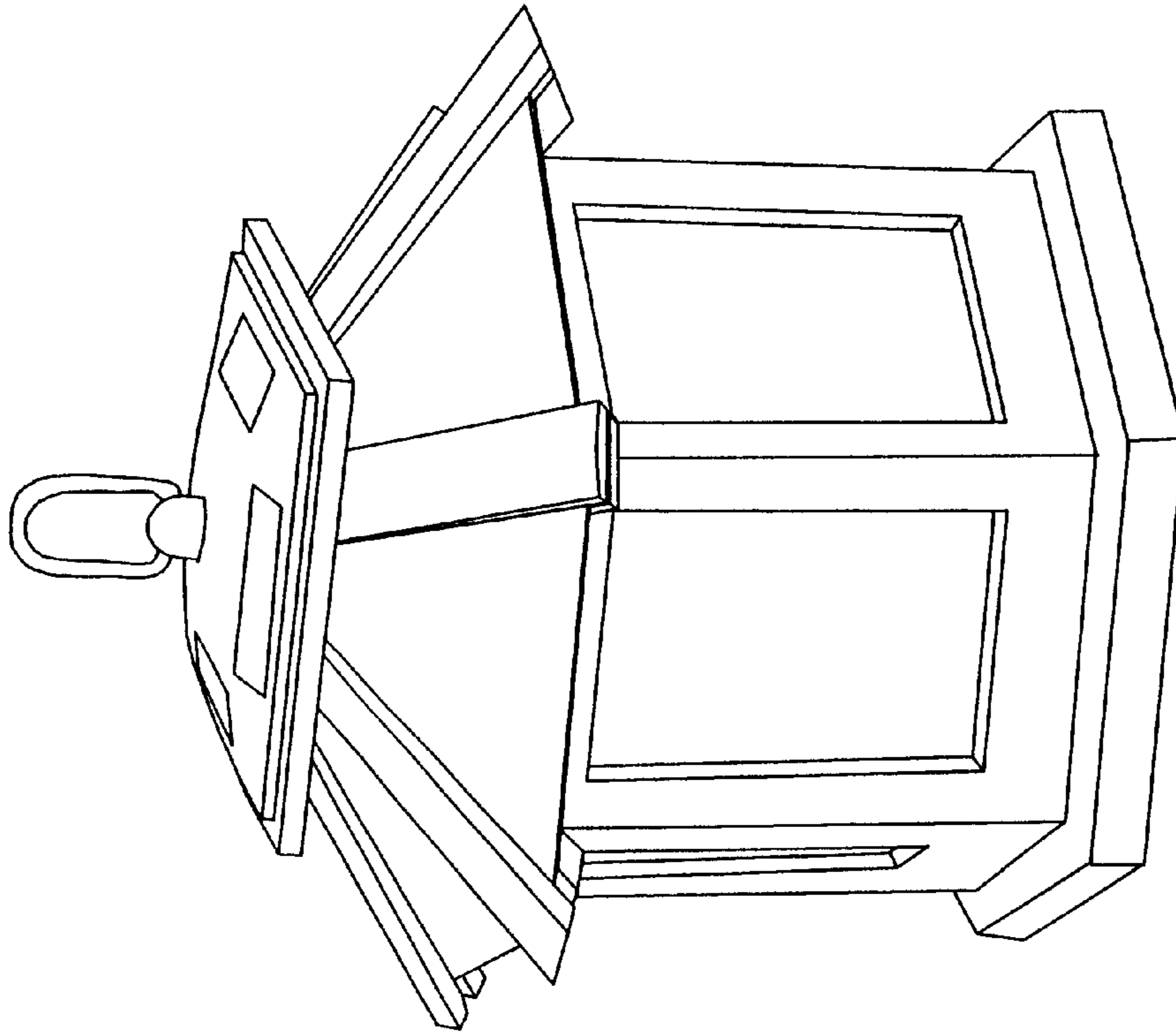


Figure 2

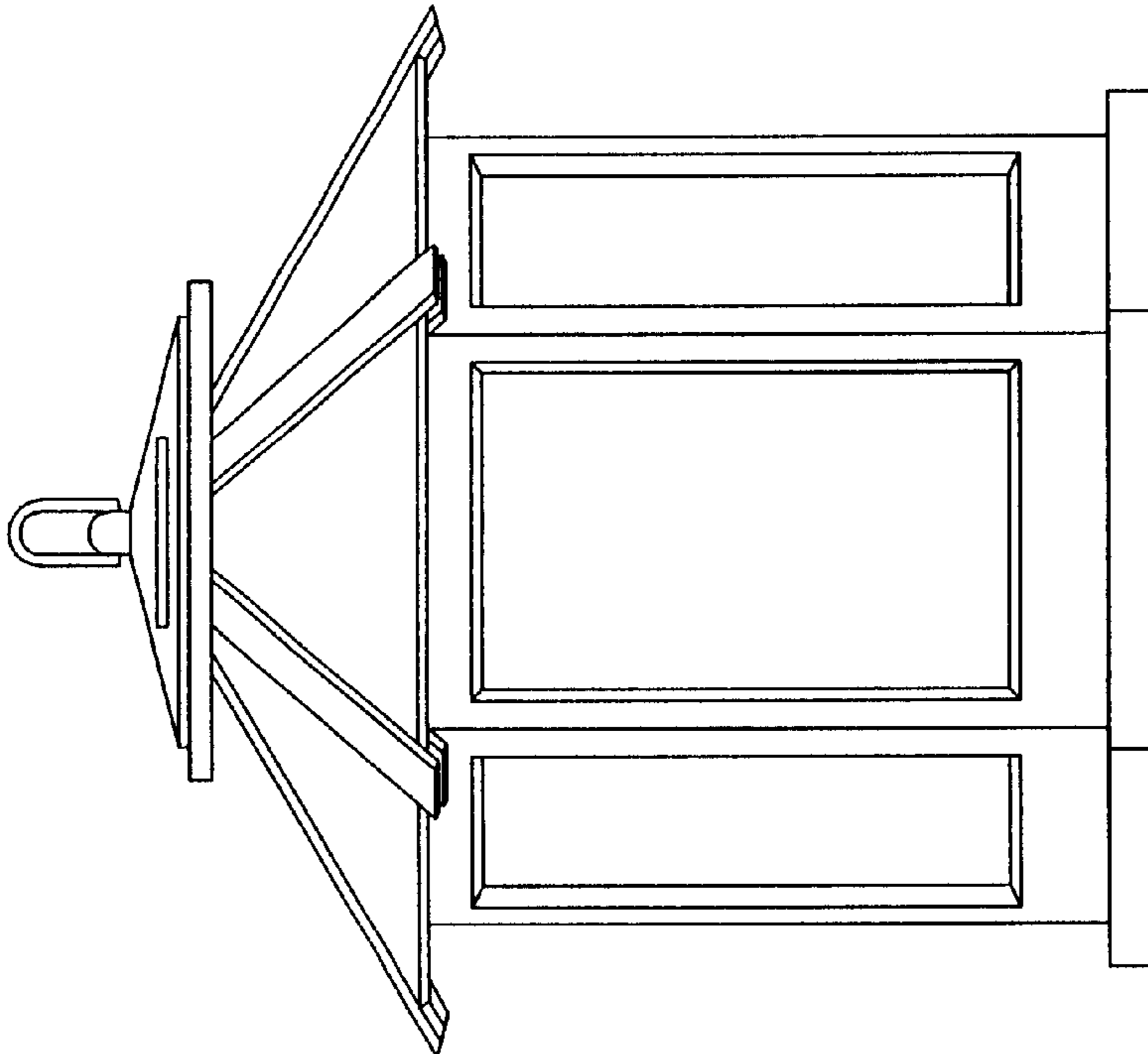


Figure 1

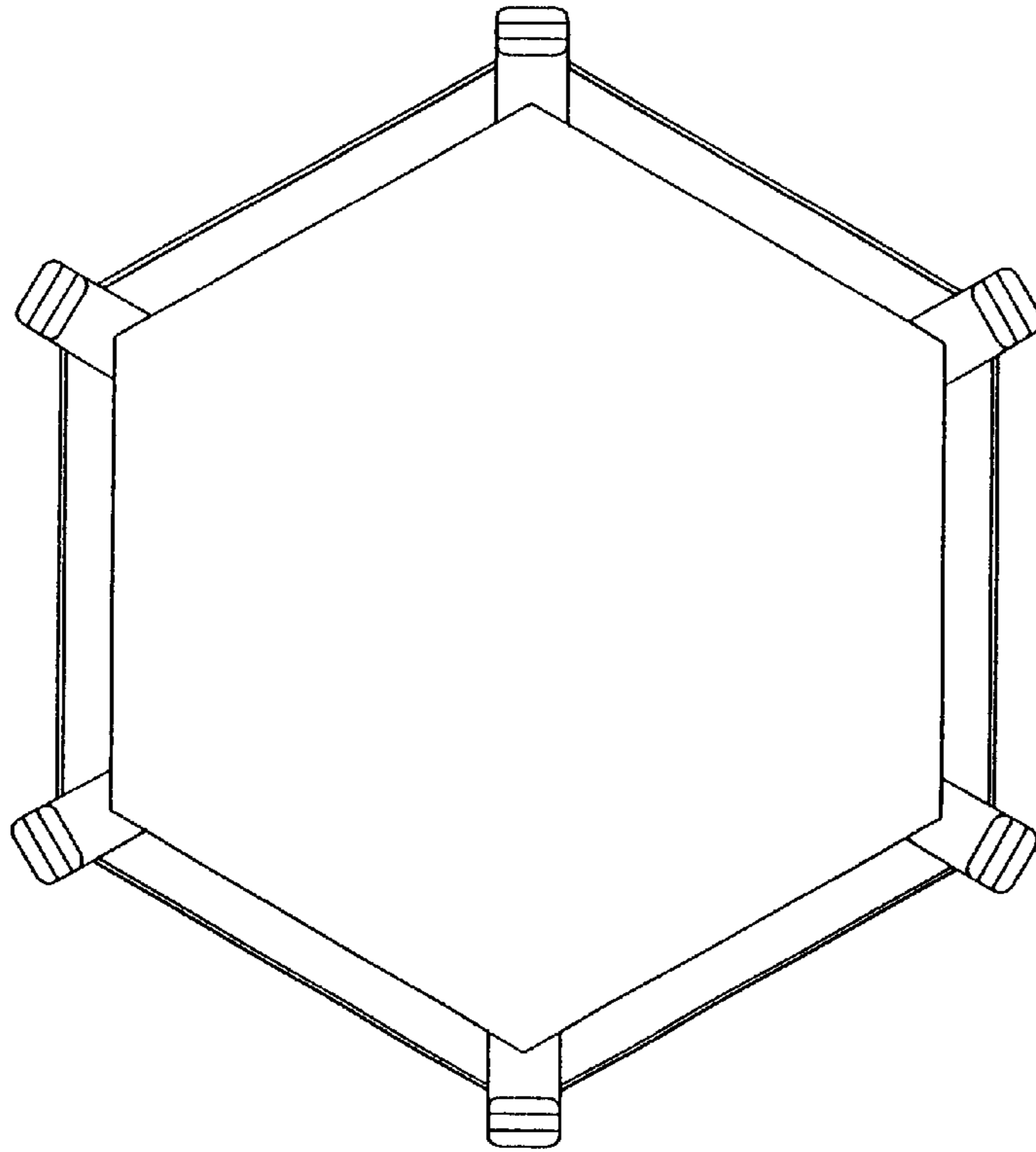


Figure 4

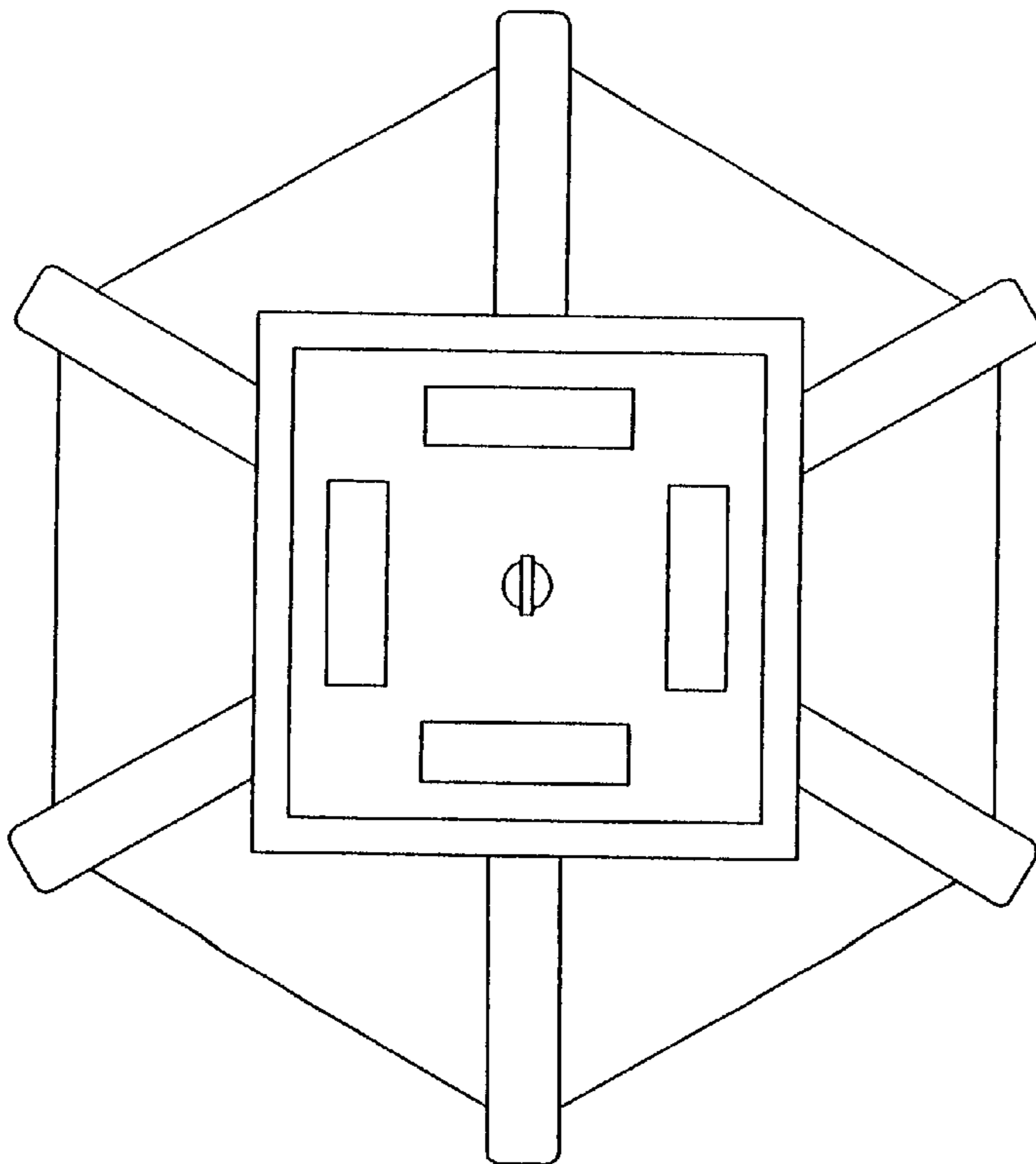


Figure 3