



US00D531336S

(12) **United States Design Patent**
Yuen

(10) **Patent No.:** **US D531,336 S**

(45) **Date of Patent:** **** Oct. 31, 2006**

(54) **RECHARGEABLE HALOGEN SPOTLIGHT WITH LED LIGHT**

D508,579 S * 8/2005 Kim et al. D26/46
D520,165 S * 5/2006 Yuen D26/46

(76) Inventor: **Se Kit Yuen**, 6/F, Yau Lee Centre, 45 Hoi Yuen Road, Kwun Tong, Kowloon (HK)

* cited by examiner

Primary Examiner—Marcus A. Jackson
(74) *Attorney, Agent, or Firm*—Akerman Senterfit

(**) Term: **14 Years**

(57) **CLAIM**

(21) Appl. No.: **29/240,239**

The ornamental design of a rechargeable halogen spotlight with LED light, as shown and described.

(22) Filed: **Oct. 11, 2005**

DESCRIPTION

(51) **LOC (8) Cl.** **26-02**

(52) **U.S. Cl.** **D26/46**

(58) **Field of Classification Search** D26/37–50;
362/157, 158, 171–174, 183–208

See application file for complete search history.

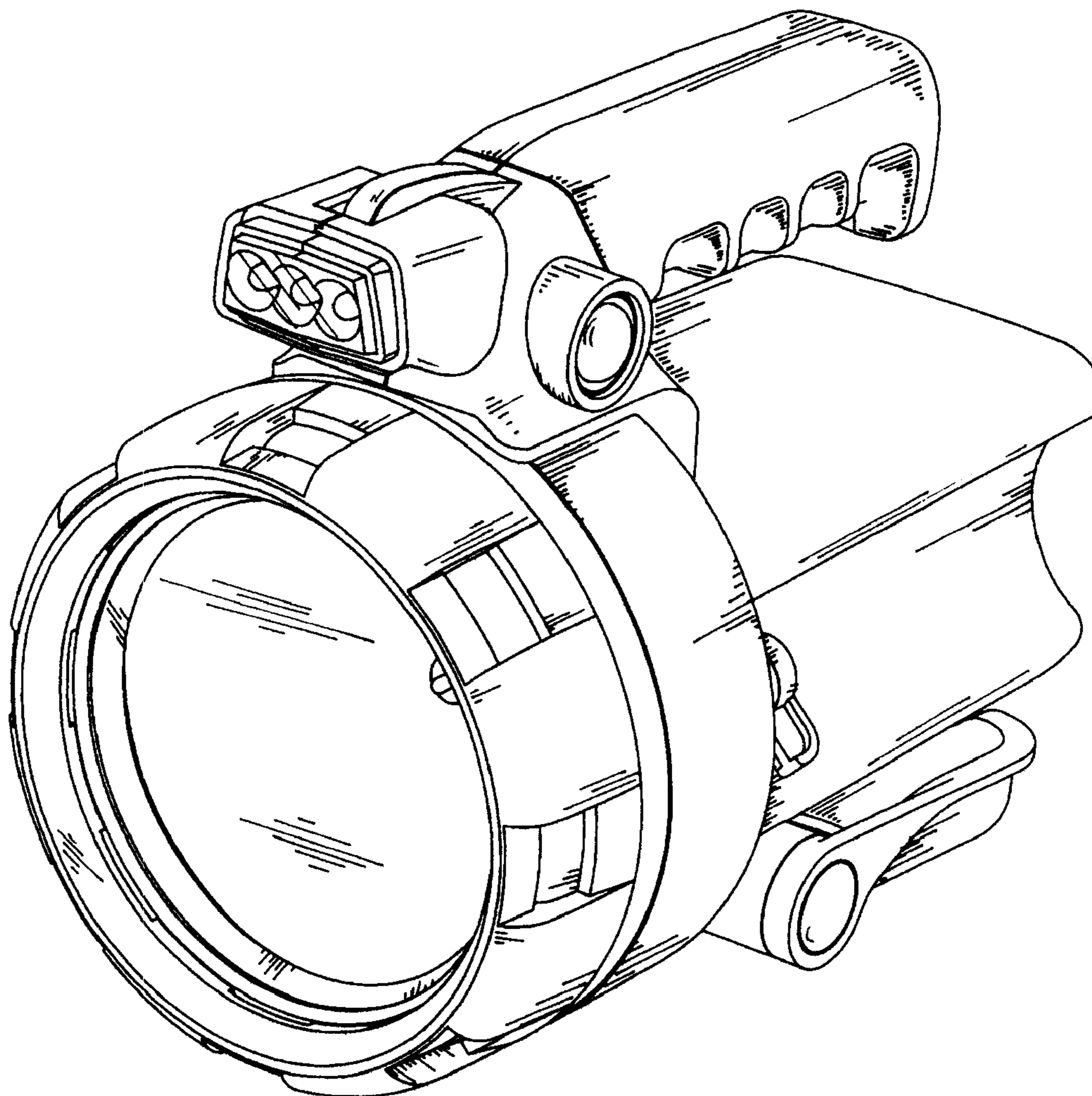
FIG. 1 is a perspective view of the rechargeable halogen spotlight with LED light;
FIG. 2 is a front view thereof;
FIG. 3 is a rear view thereof;
FIG. 4 is a top view thereof;
FIG. 5 is a bottom view thereof; and
FIG. 6 is a side view thereof; and,
FIG. 7 is another side view thereof.

(56) **References Cited**

U.S. PATENT DOCUMENTS

D430,323 S * 8/2000 Yuen D26/46
D443,708 S * 6/2001 Lynch et al. D26/46

1 Claim, 4 Drawing Sheets



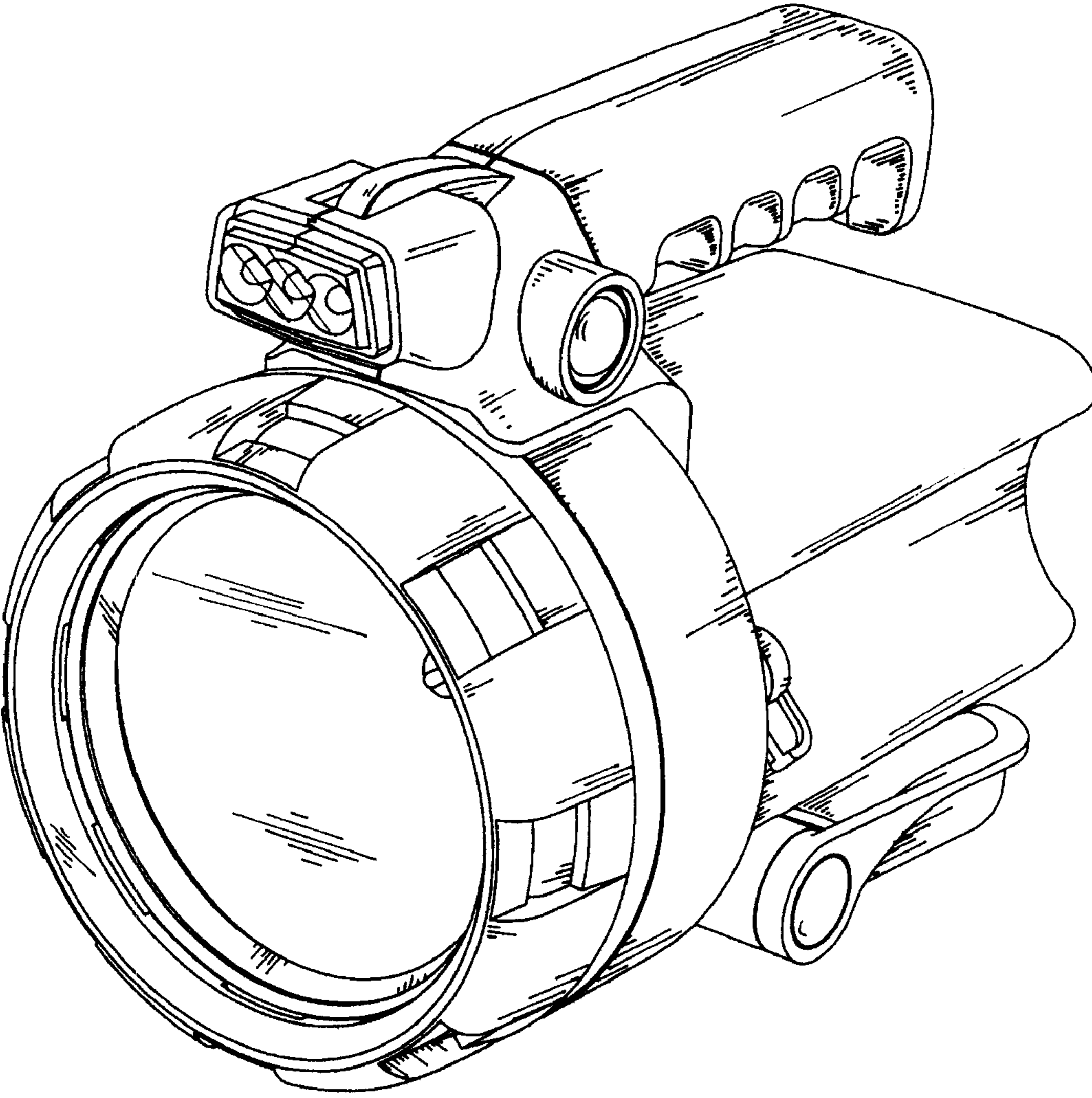


FIG. 1

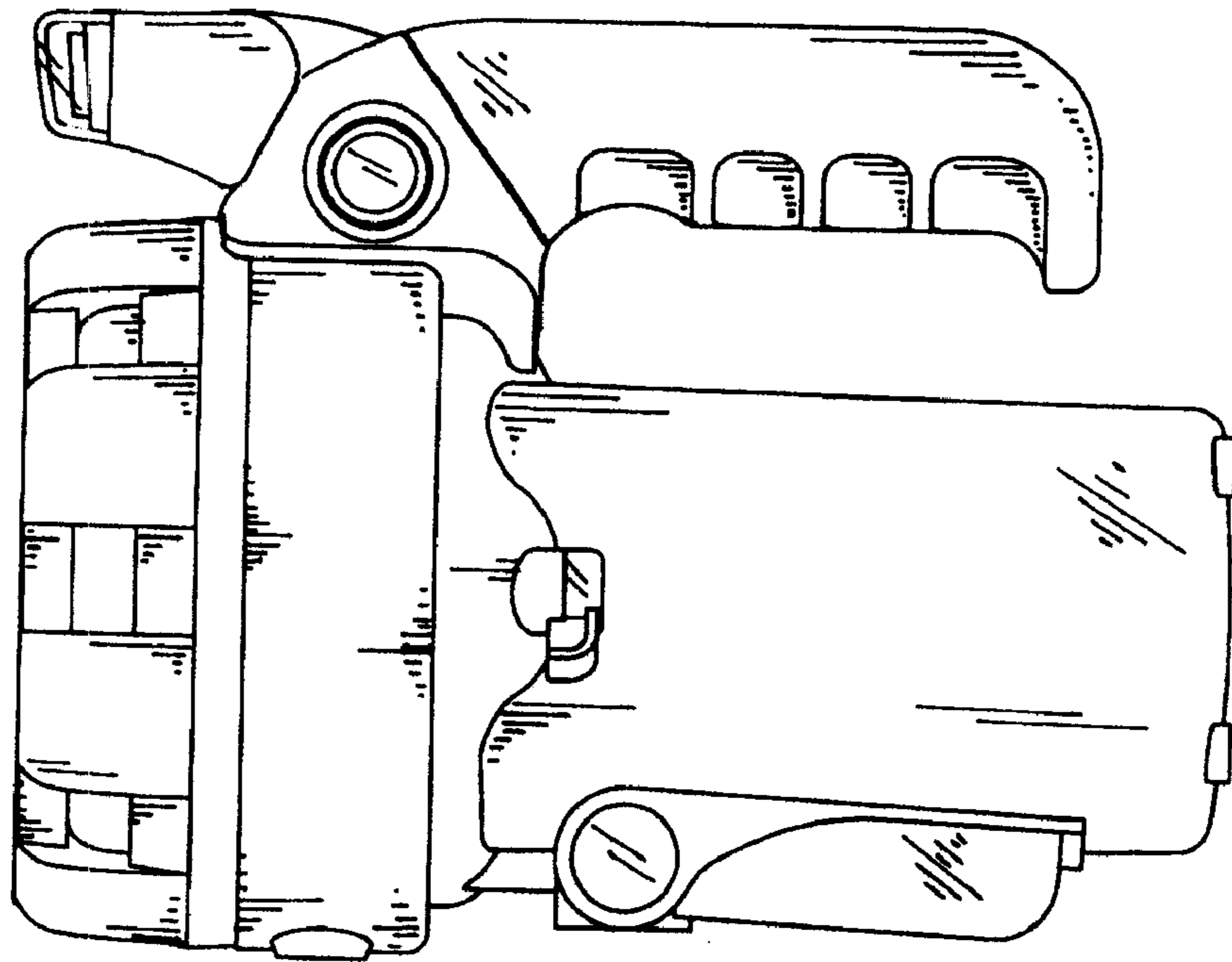


FIG. 2

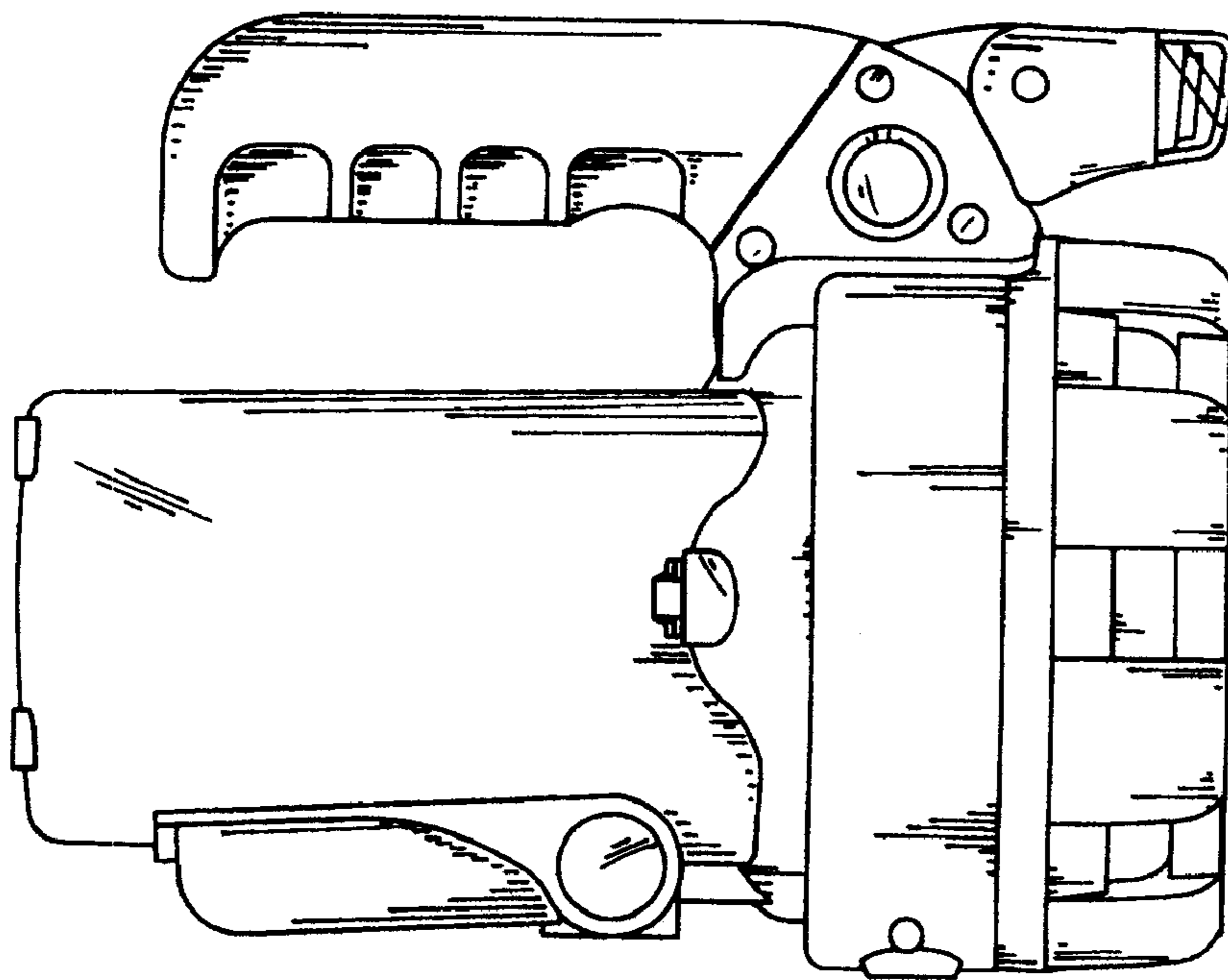


FIG. 3

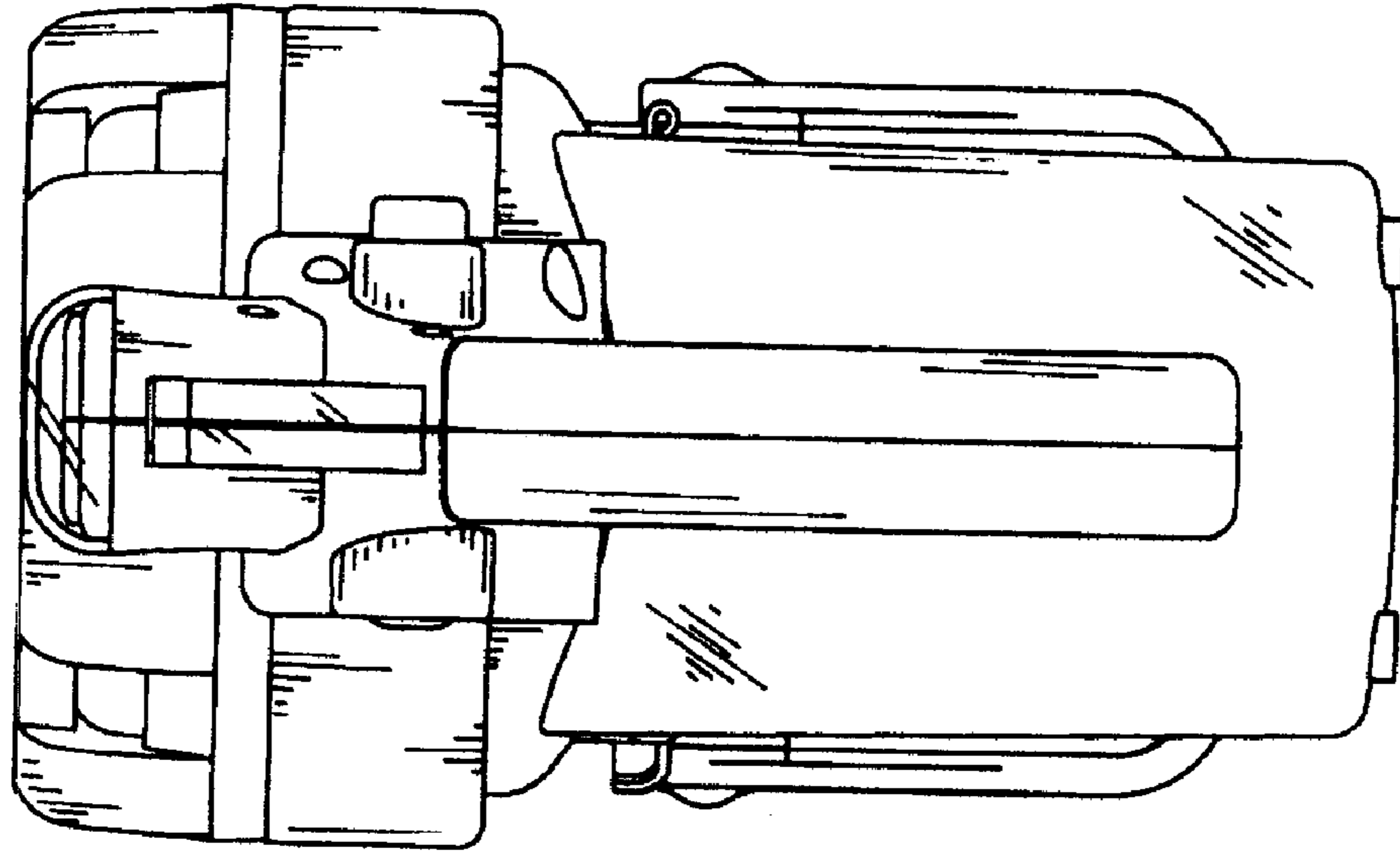


FIG. 4

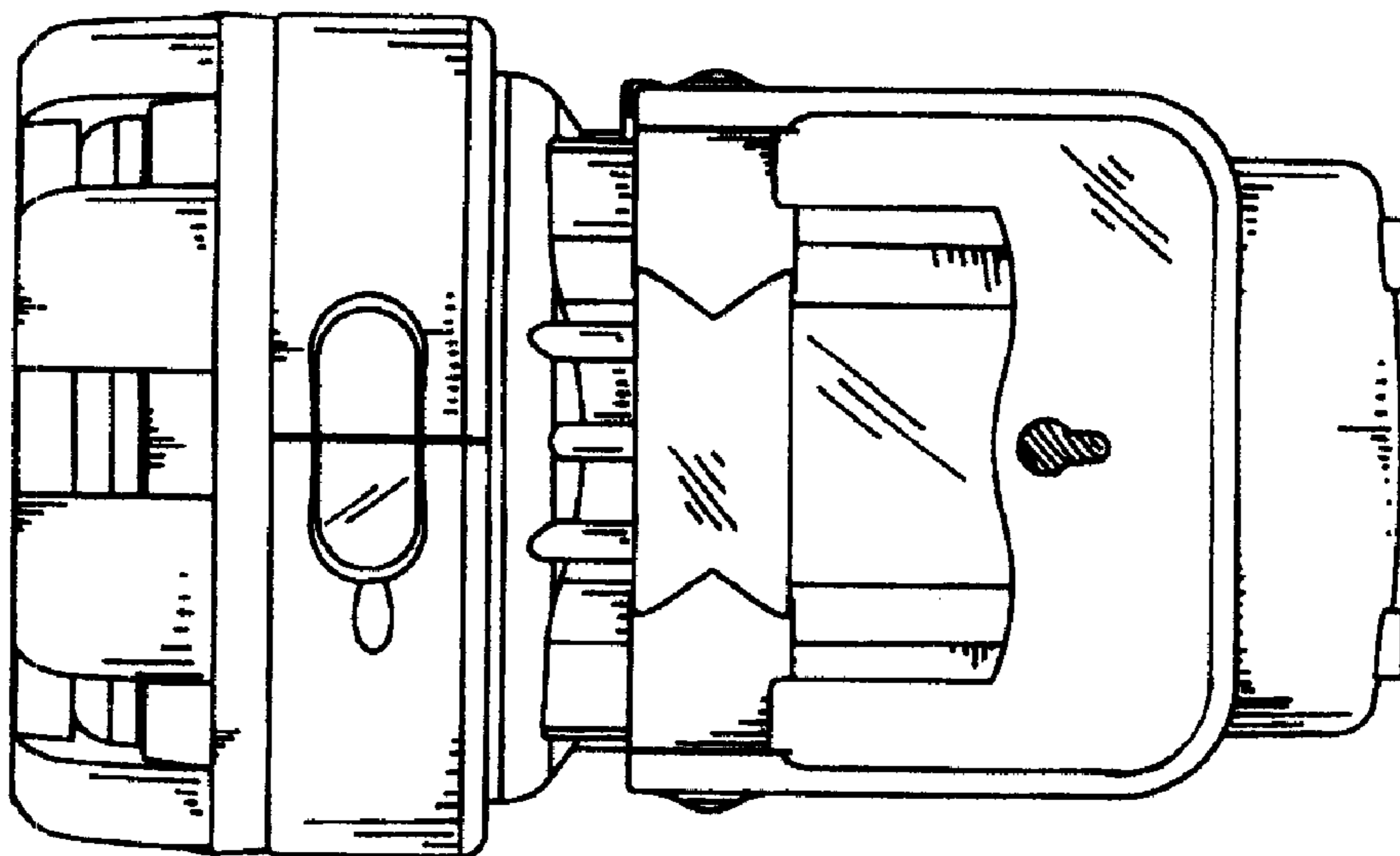


FIG. 5

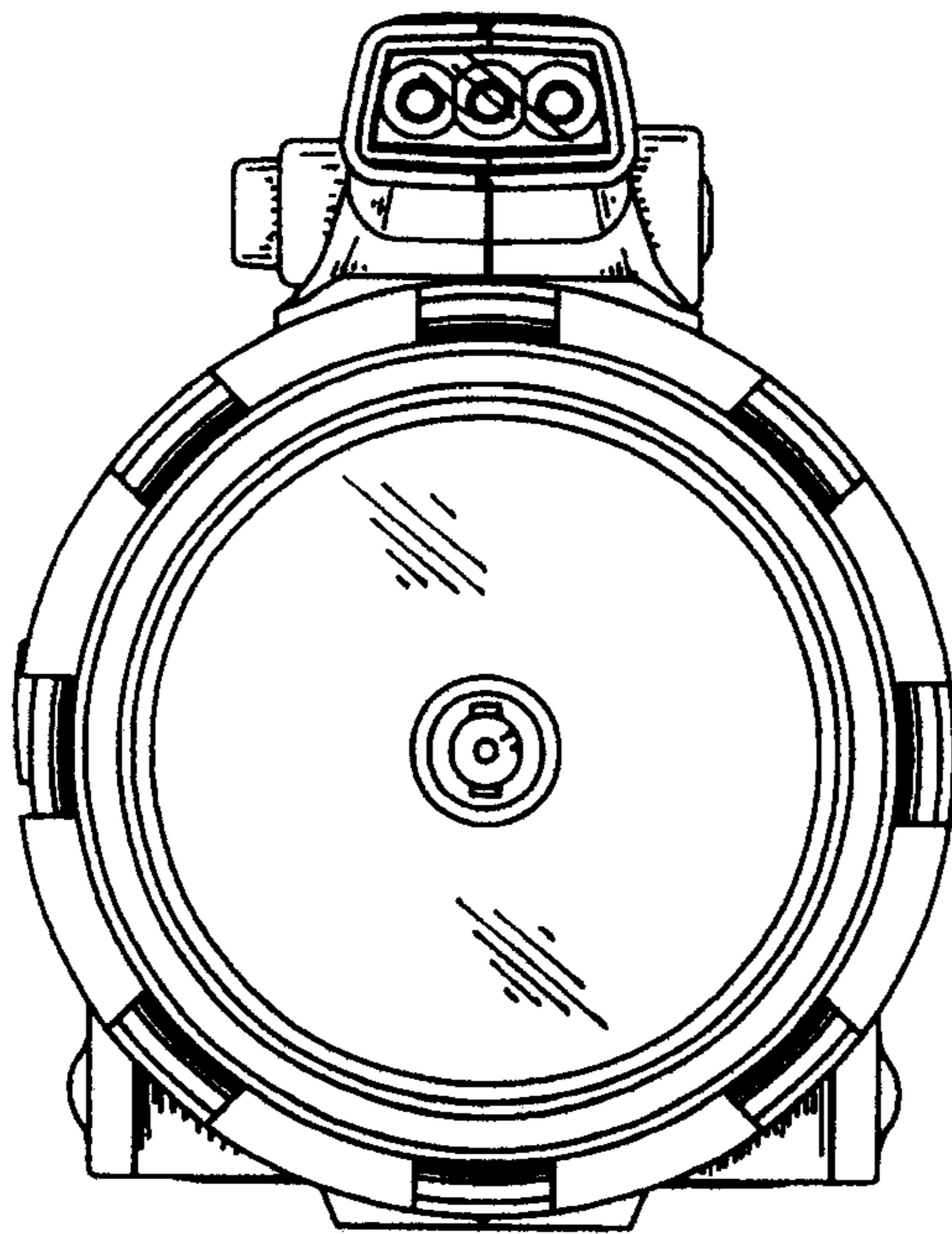


FIG. 6

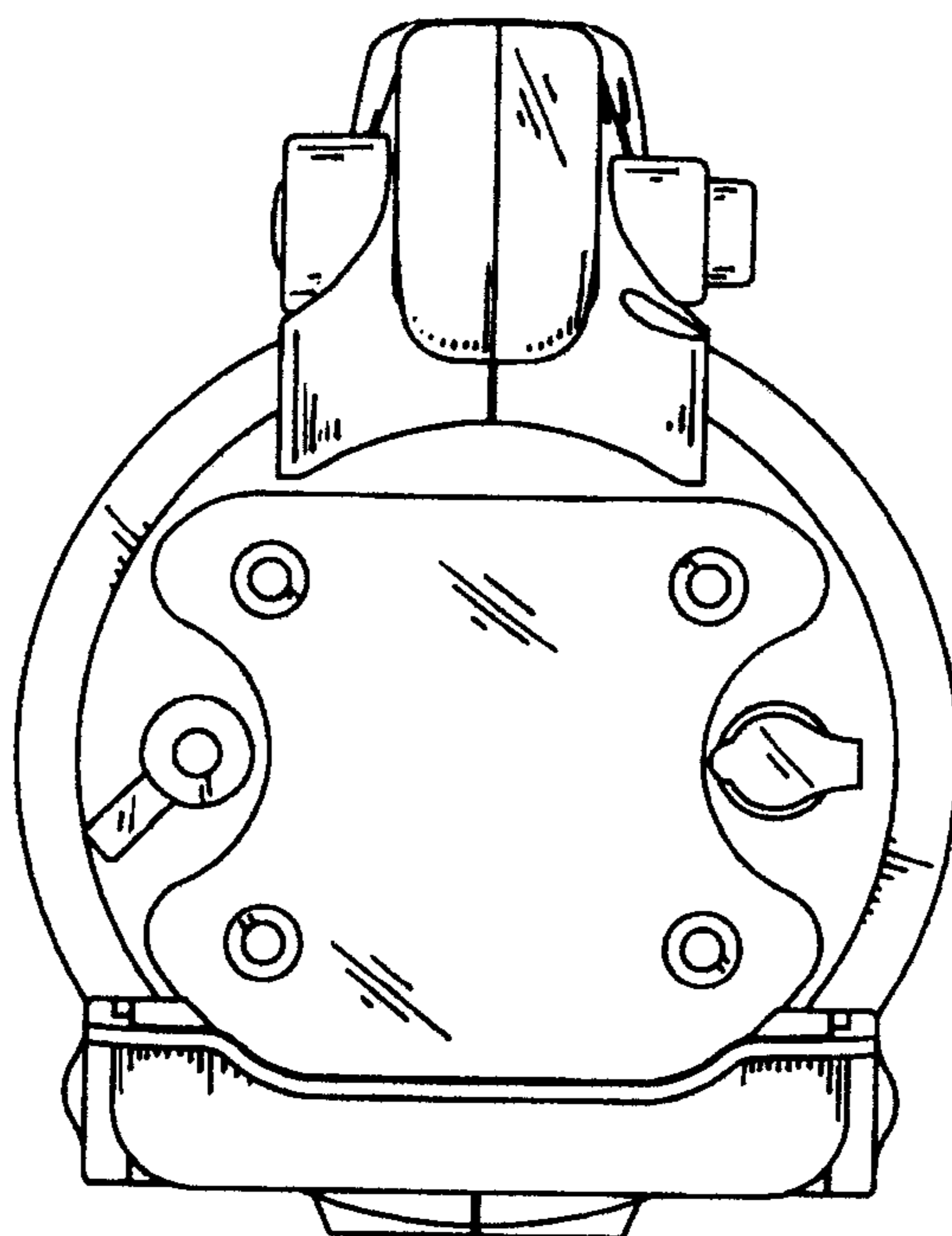


FIG. 7