



US00D531335S

(12) **United States Design Patent**
Garrity

(10) **Patent No.:** **US D531,335 S**

(45) **Date of Patent:** **** Oct. 31, 2006**

(54) **HEADLAMP**

(75) Inventor: **Kevin S. Garrity**, Madison, CT (US)

(73) Assignee: **Garrity Industries, Inc.**, Madison, CT (US)

(**) Term: **14 Years**

(21) Appl. No.: **29/222,341**

(22) Filed: **Jan. 31, 2005**

(51) **LOC (8) Cl.** **26-02**

(52) **U.S. Cl.** **D26/39**

(58) **Field of Classification Search** D26/37-50;
362/157, 158, 171-174, 183-208
See application file for complete search history.

(56) **References Cited**

U.S. PATENT DOCUMENTS

D405,202 S	*	2/1999	Fattori et al.	D26/39
D445,931 S	*	7/2001	Shiu	D26/39
D482,472 S	*	11/2003	Shiu	D26/39
D485,384 S	*	1/2004	Poon	D26/39
D503,817 S	*	4/2005	Shiu	D26/39

* cited by examiner

Primary Examiner—Marcus A. Jackson

(74) *Attorney, Agent, or Firm*—Fitzpatrick, Cella, Harper & Scinto

(57) **CLAIM**

The ornamental design for a headlamp, substantially as shown and described.

DESCRIPTION

FIG. 1 is a perspective view of the headlamp showing my new design;

FIG. 2 is a front elevational view thereof;

FIG. 3 is a side elevational view of the left side thereof;

FIG. 4 is a rear elevational view thereof;

FIG. 5 is a side elevational view of the right side thereof;

FIG. 6 is a top plan view thereof; and,

FIG. 7 is a bottom plan view thereof.

The broken lines in FIG. 1 representing a strap and environment of the headlamp are for illustrative purposes only and form no part of the claimed design.

The broken lines in FIGS. 2-7 representing the strap for the headlamp are for illustrative purposes only and form no part of the claimed design.

1 Claim, 4 Drawing Sheets

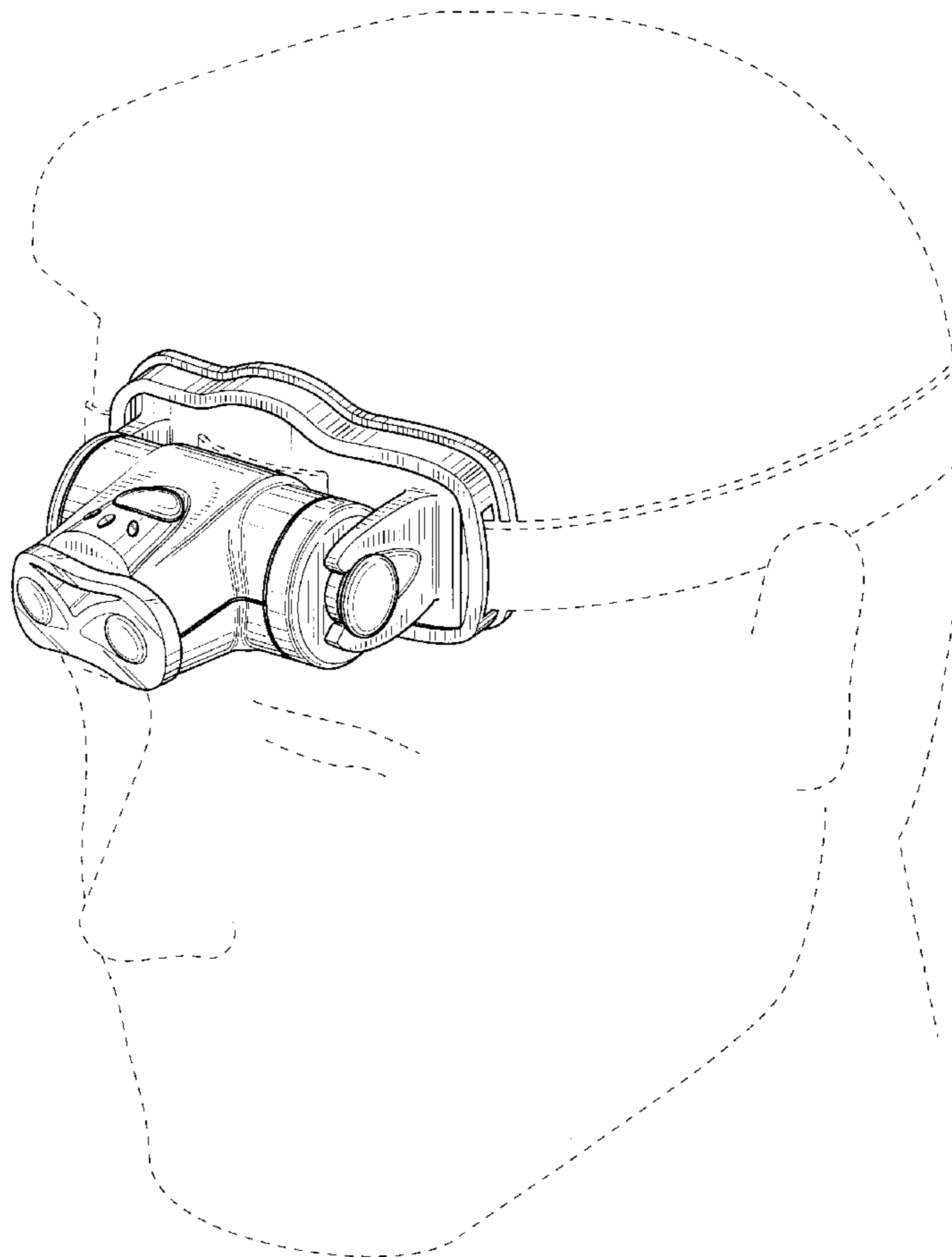


FIG. 1

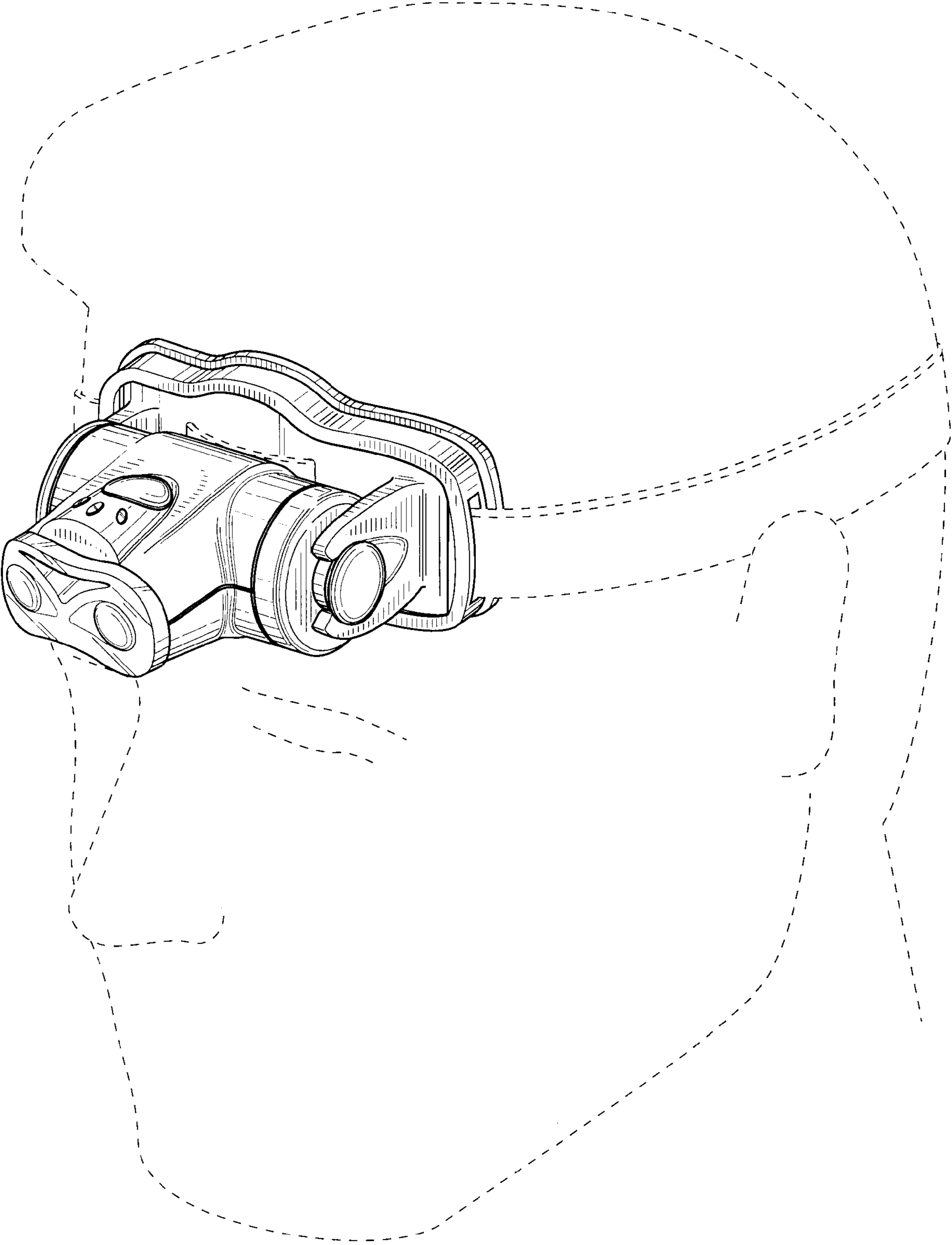


FIG. 2

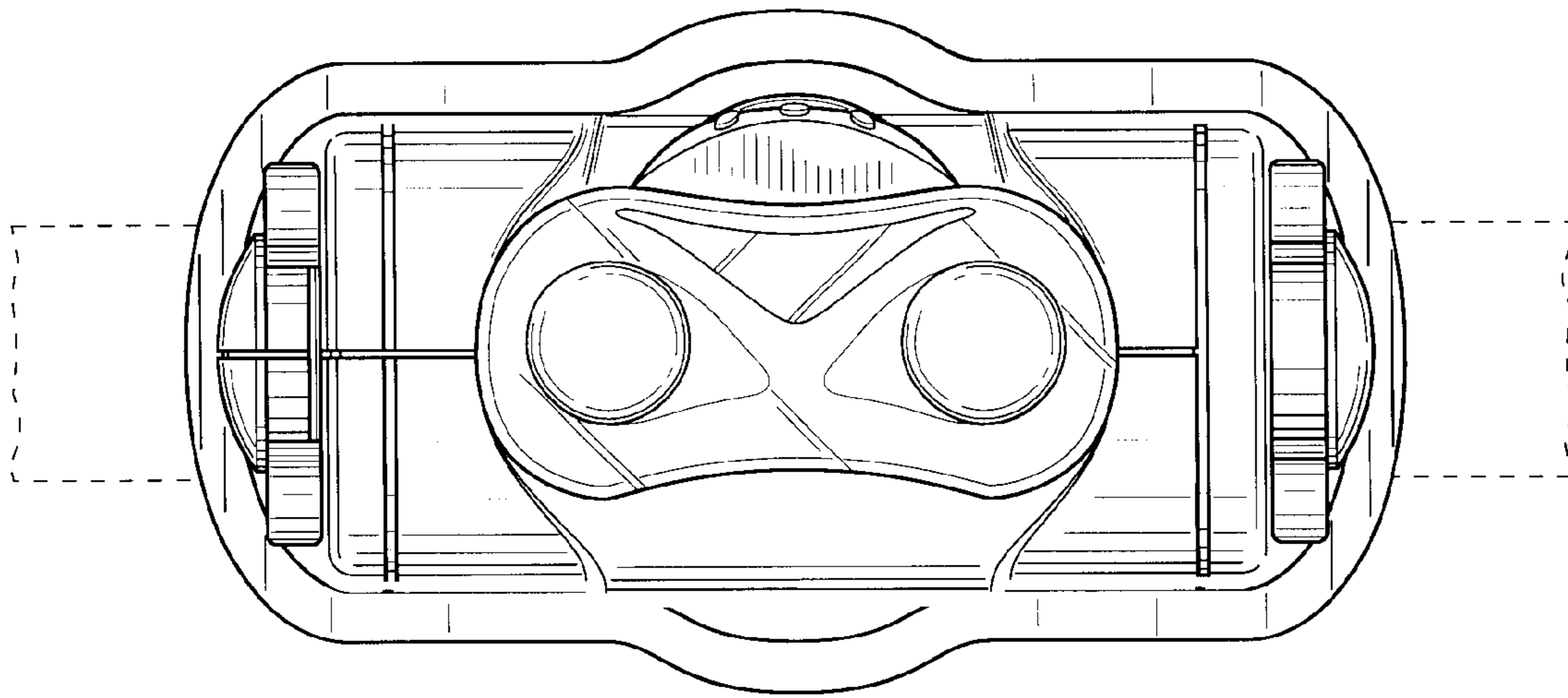


FIG. 3

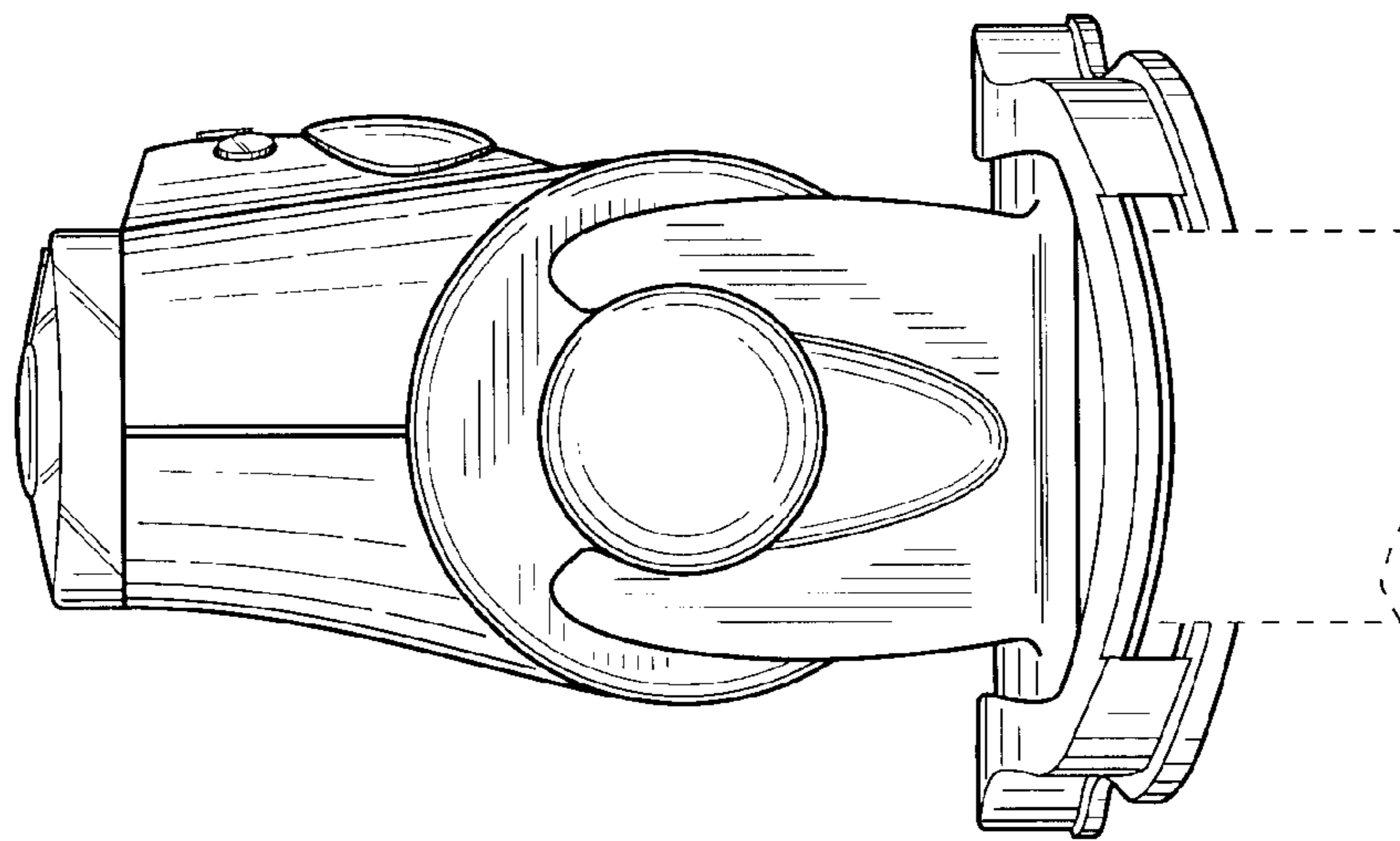


FIG. 4

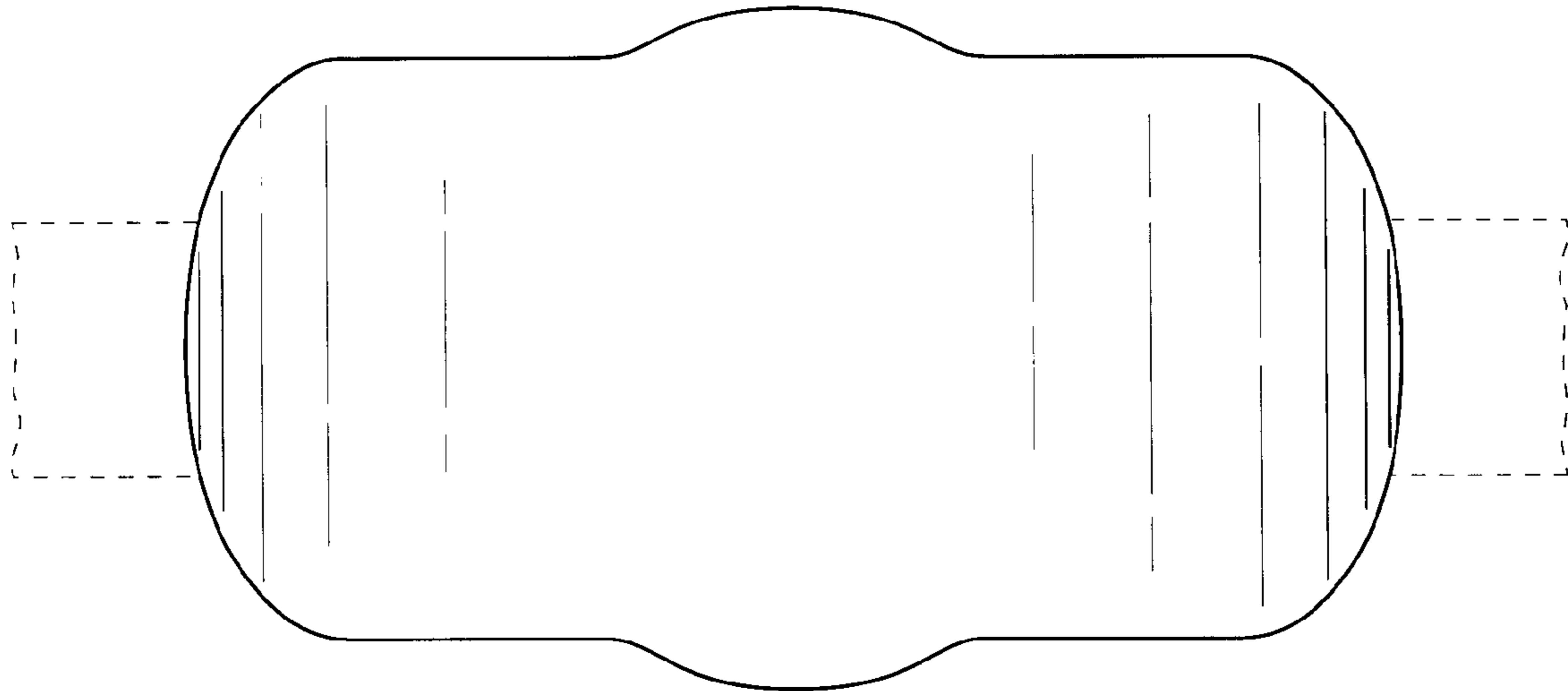


FIG. 5

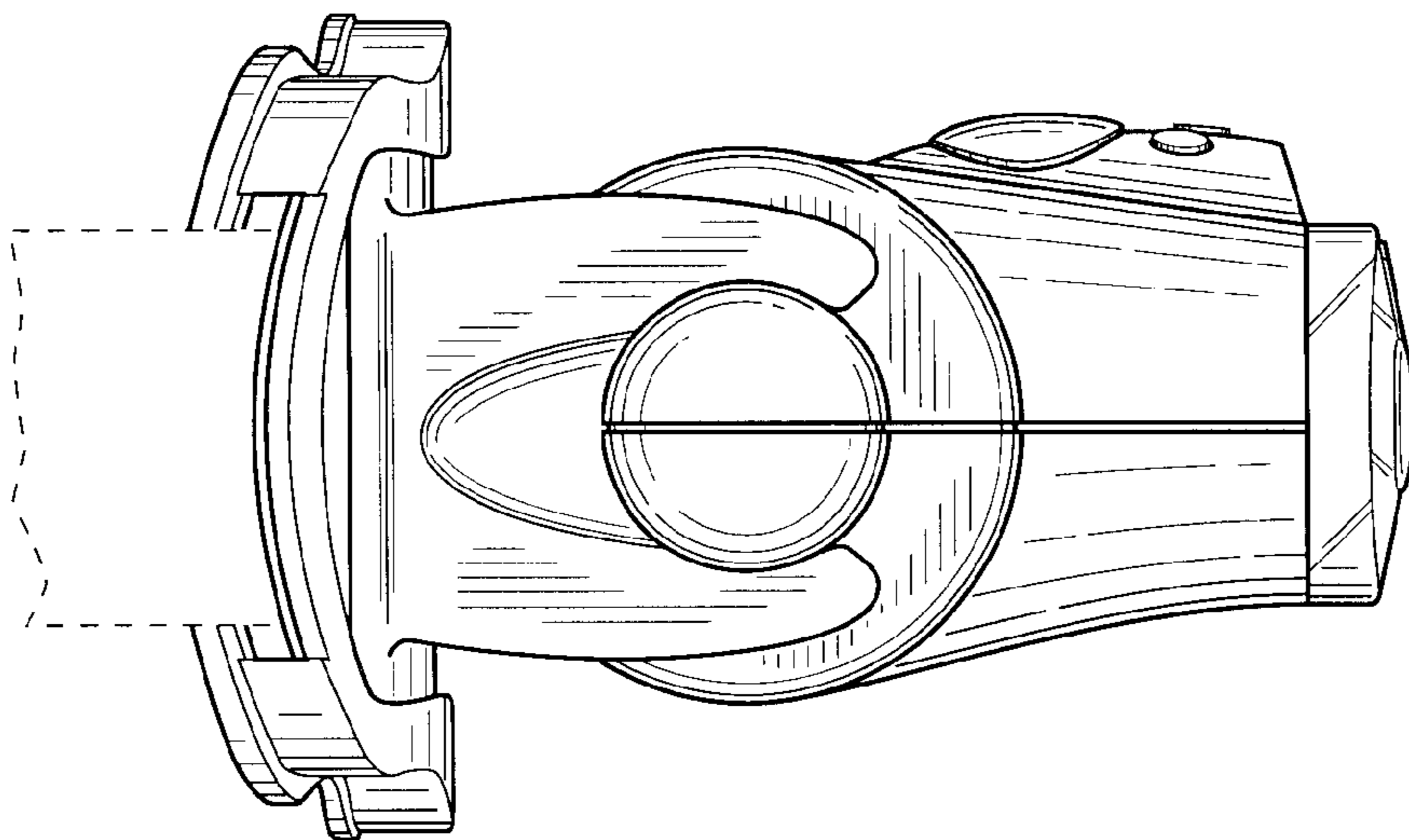


FIG. 6

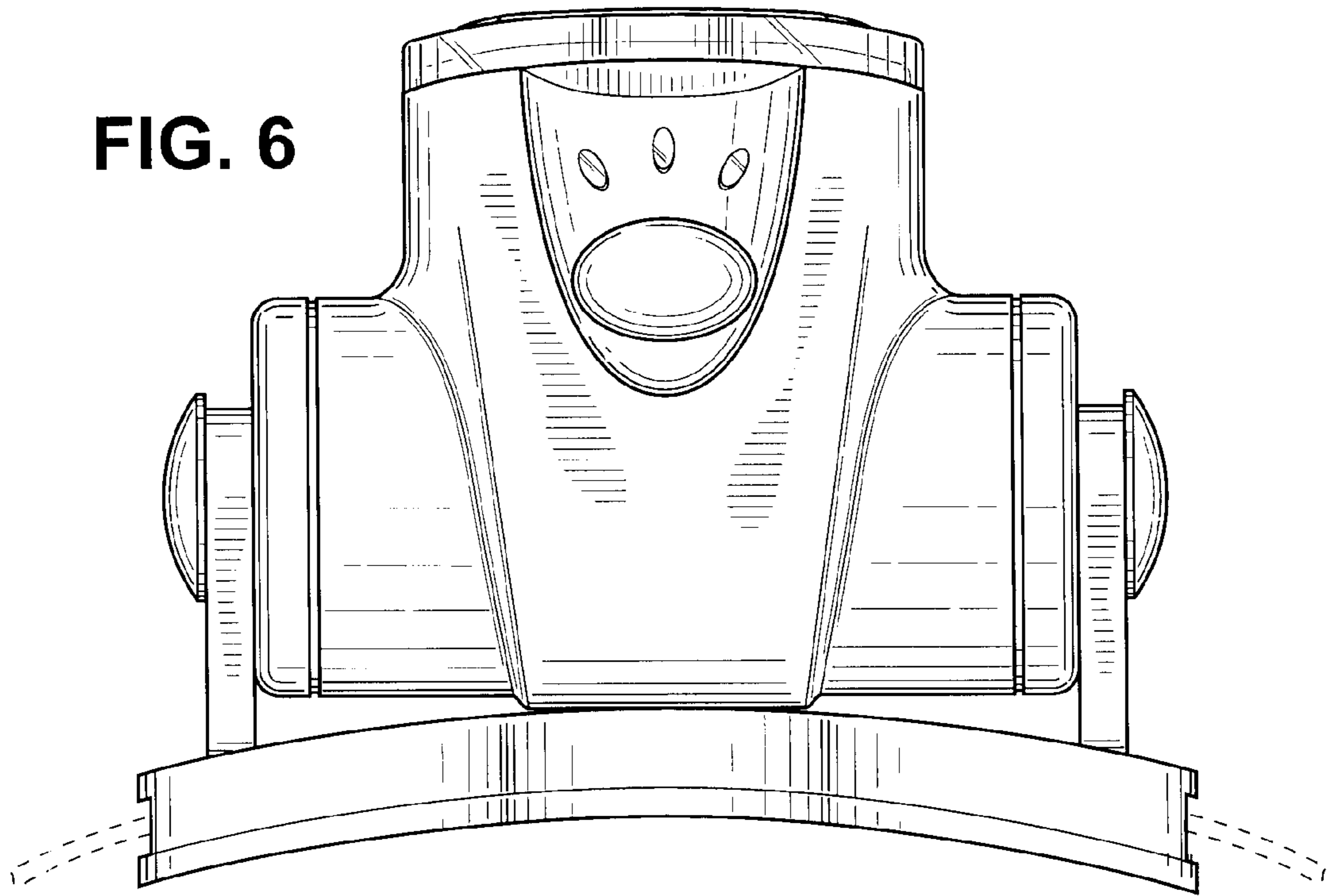


FIG. 7

