

US00D531334S

(12) **United States Design Patent**  
**Lin**

(10) **Patent No.:** **US D531,334 S**

(45) **Date of Patent:** **\*\* Oct. 31, 2006**

(54) **COMBINATION OF LASER POINTER AND WIRELESS TRANSMITTER**

D508,748 S \* 8/2005 Man ..... D26/37  
D513,810 S \* 1/2006 Ho ..... D26/37  
D518,906 S \* 4/2006 Stoddard et al. .... D26/37

(75) Inventor: **Golden Lin, Sijhih (TW)**

\* cited by examiner

(73) Assignee: **Quarton Inc., Taipei County (TW)**

*Primary Examiner*—Marcus A. Jackson

(\*\*) Term: **14 Years**

(74) *Attorney, Agent, or Firm*—Troxell Law Office, PLLC

(21) Appl. No.: **29/219,183**

(57) **CLAIM**

(22) Filed: **Dec. 15, 2004**

The ornamental design for a combination of laser pointer and wireless transmitter, as shown and described.

(51) **LOC (8) Cl.** ..... **26-02**

**DESCRIPTION**

(52) **U.S. Cl.** ..... **D26/37**

(58) **Field of Classification Search** ..... D26/37–50;  
362/157, 158, 171–174, 183–208  
See application file for complete search history.

FIG. 1 is a perspective view of combination of laser pointer and wireless transmitter from right side showing my design; FIG. 2 is a perspective view from left side alternative thereof;

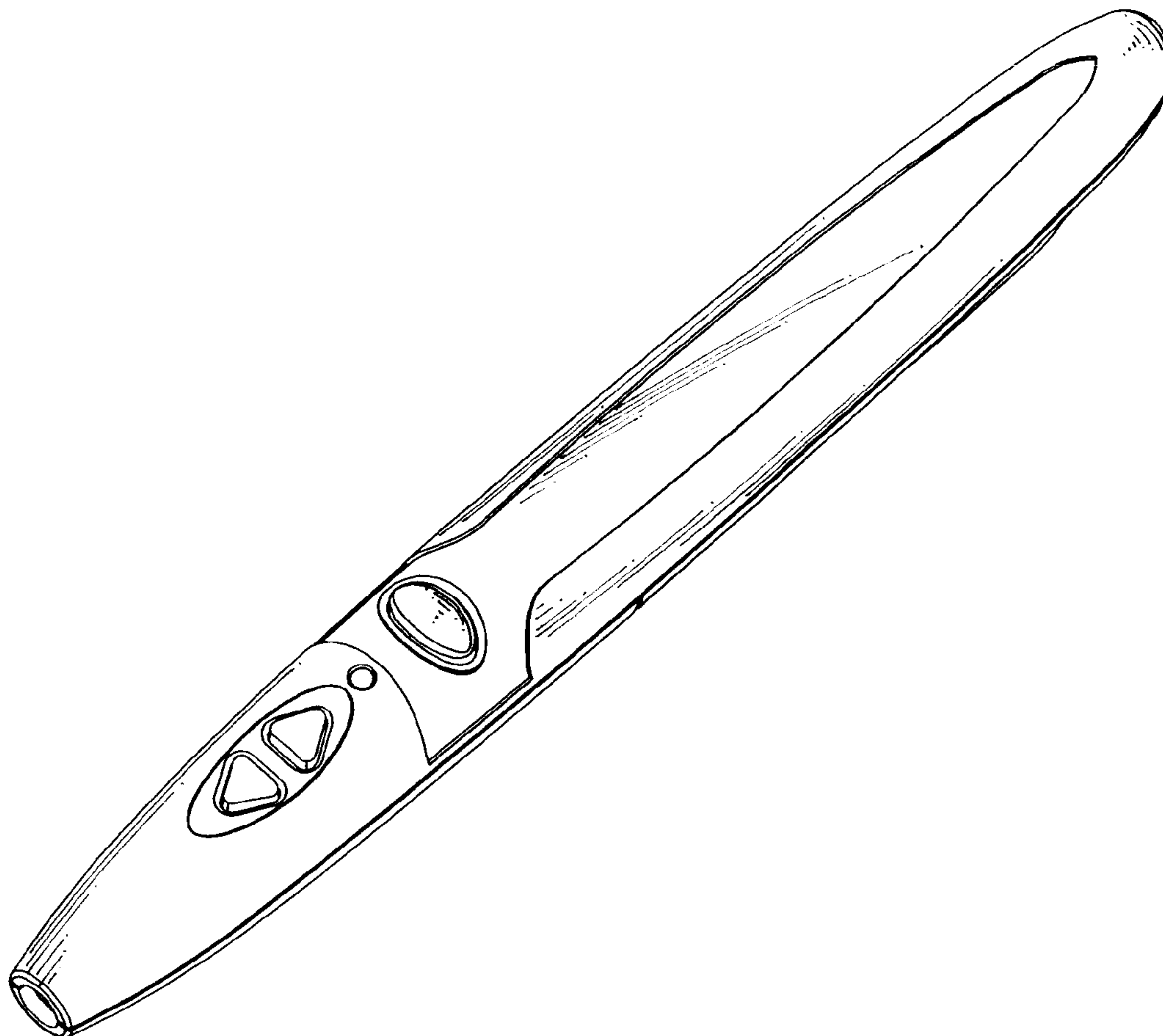
(56) **References Cited**

**U.S. PATENT DOCUMENTS**

D486,930 S \* 2/2004 Stoddard et al. .... D26/37  
D495,076 S \* 8/2004 Mandel ..... D26/37  
D497,214 S \* 10/2004 Lo ..... D26/37  
D507,364 S \* 7/2005 Lo ..... D26/37

FIG. 3 is a front side view thereof;  
FIG. 4 is a right side view thereof;  
FIG. 5 is a top elevational view thereof;  
FIG. 6 is a bottom elevational view thereof;  
FIG. 7 is a rear view thereof; and,  
FIG. 8 is a left side view thereof.

**1 Claim, 5 Drawing Sheets**



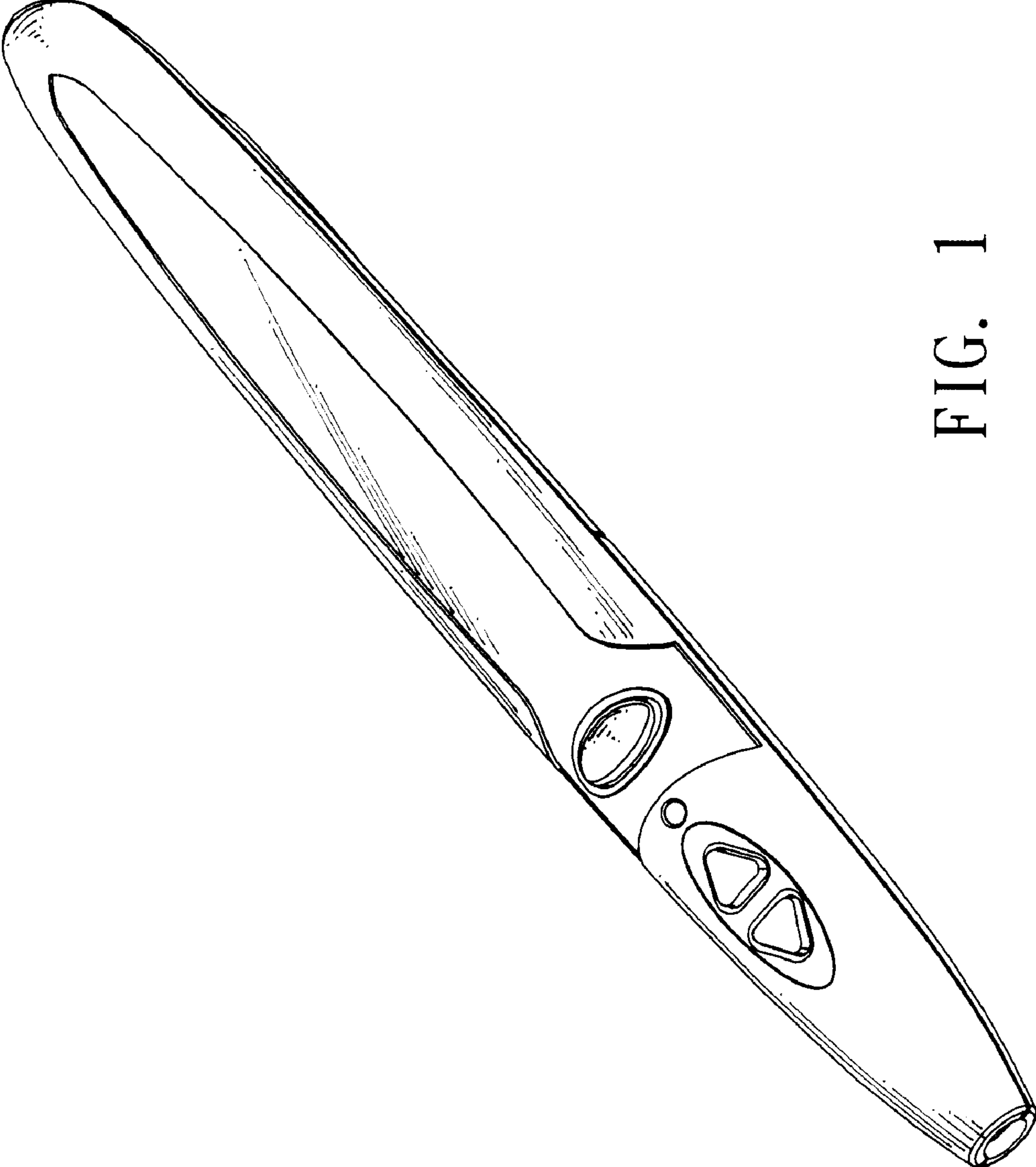


FIG. 1

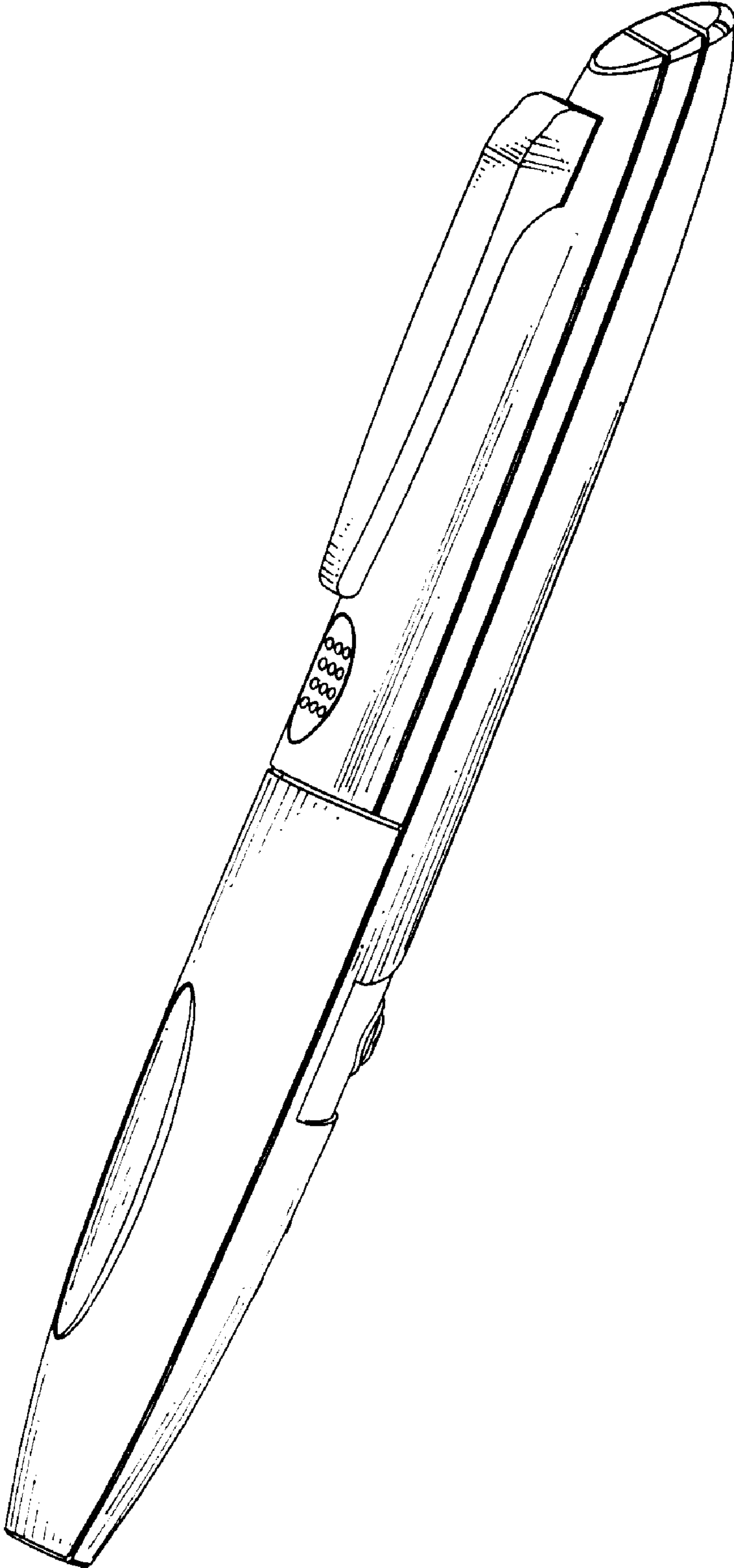


FIG. 2

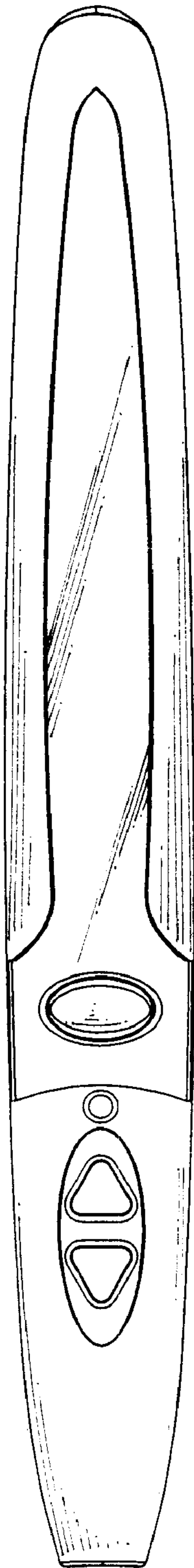


FIG. 3

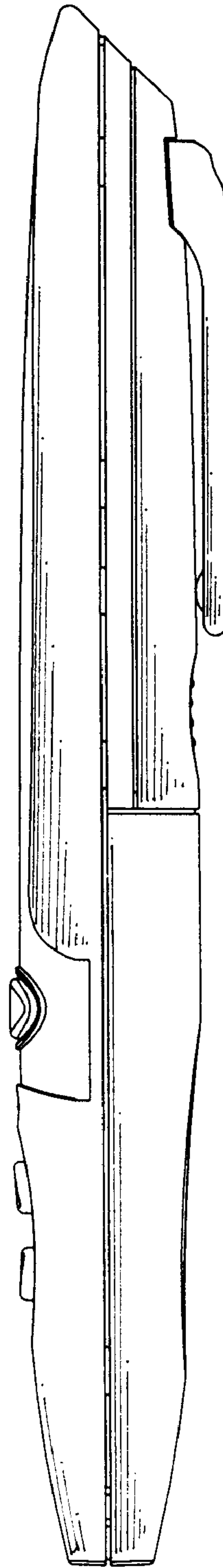


FIG. 4

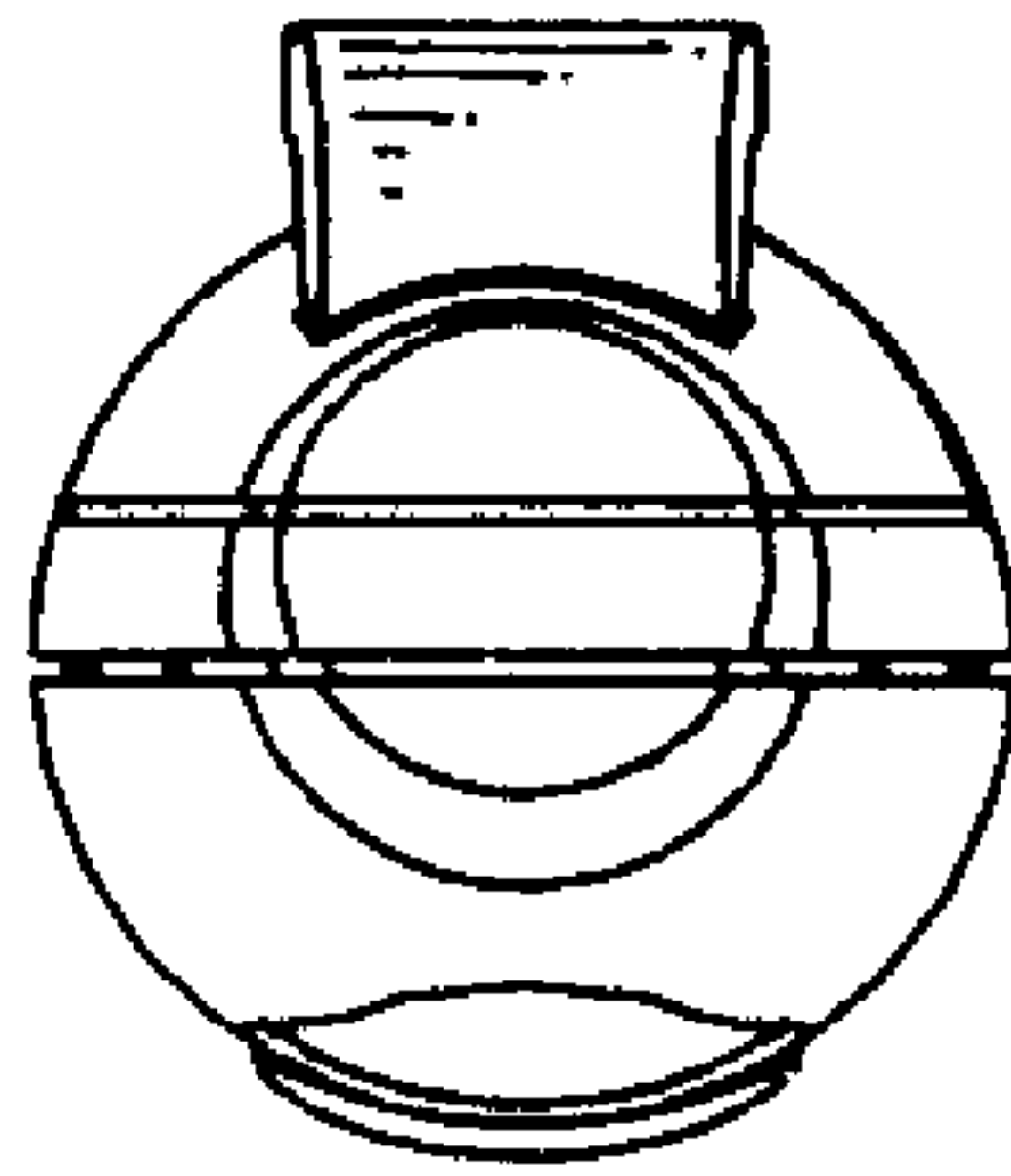


FIG. 5

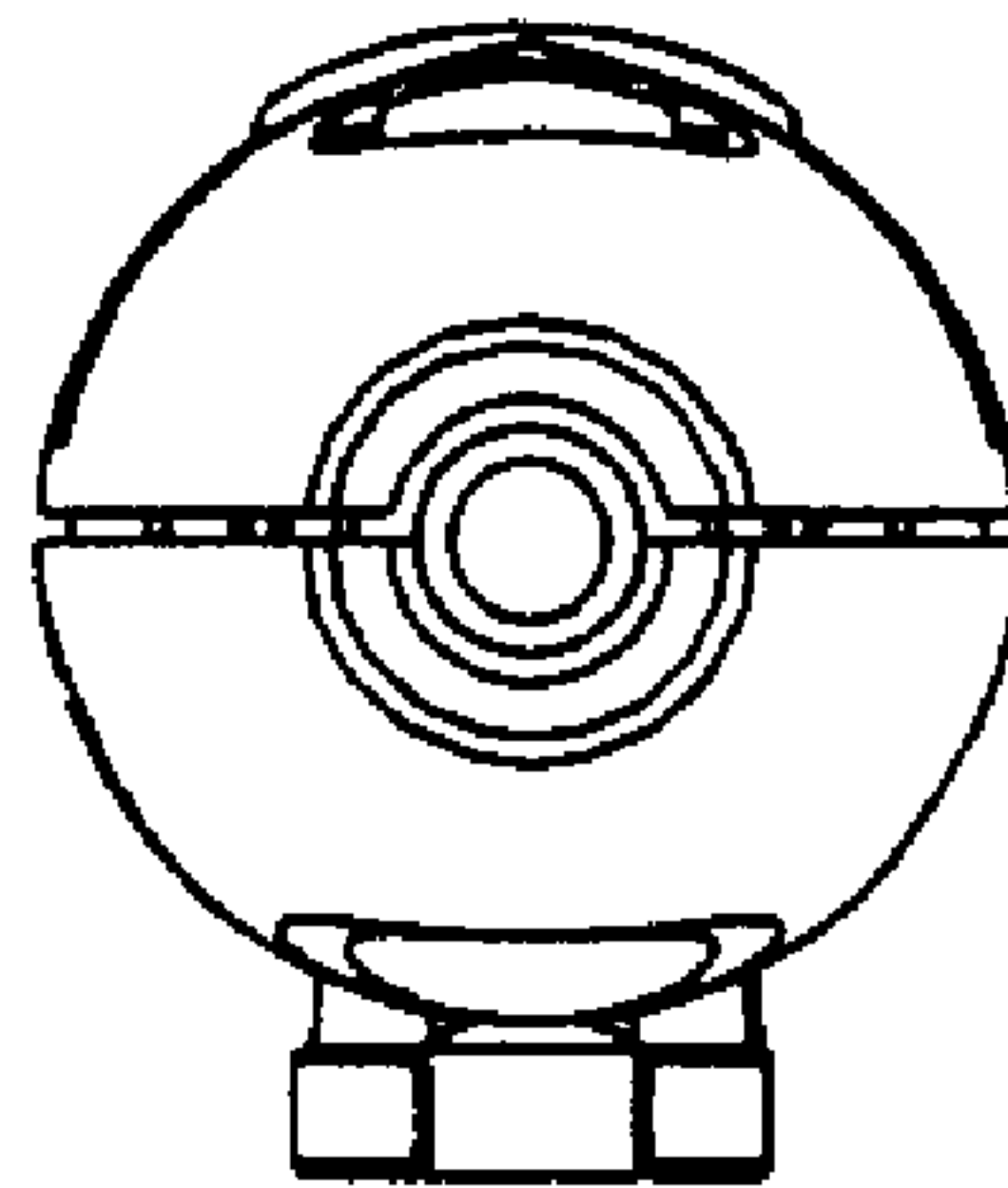


FIG. 6

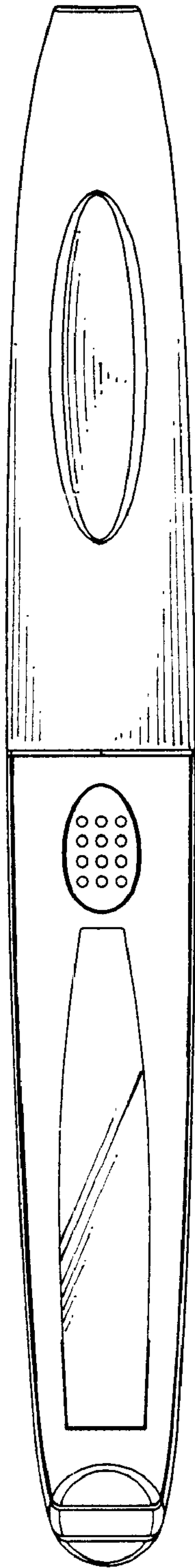


FIG. 7

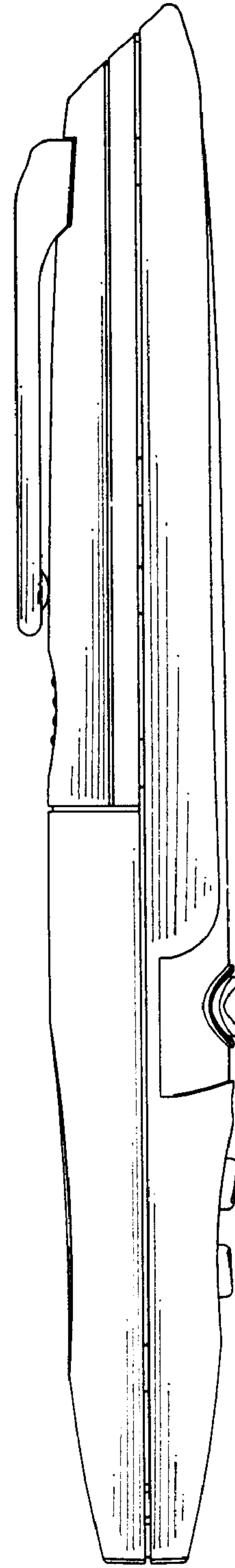


FIG. 8