



US00D531325S

(12) **United States Design Patent**
Navare

(10) **Patent No.:** **US D531,325 S**
(45) **Date of Patent:** **** Oct. 31, 2006**

(54) **MODULAR COLUMN ATTACHMENT**

(76) Inventor: **Ravi Y. Navare**, 758 Vinnings Estates
Dr., Mableton, GA (US) 30126-5915

(**) Term: **14 Years**

(21) Appl. No.: **29/233,812**

(22) Filed: **Jul. 8, 2005**

(51) **LOC (8) Cl.** **25-01**

(52) **U.S. Cl.** **D25/133**

(58) **Field of Classification Search** 52/708,
52/732.2, 722.1, 736.4, 737.5; 256/65.14;
D25/133

See application file for complete search history.

(56) **References Cited**

U.S. PATENT DOCUMENTS

D474,546 S	*	5/2003	Kohlberger	D25/135
D503,813 S	*	4/2005	Steffes et al.	D25/133
D513,536 S	*	1/2006	Walker	D25/133

* cited by examiner

Primary Examiner—Doris Clark

(74) *Attorney, Agent, or Firm*—George R. Reardon

(57) **CLAIM**

The ornamental design for a modular column attachment, as shown and described.

DESCRIPTION

FIG. 1 is a perspective view of a modular column attachment.

FIG. 2 is an exploded perspective view of a modular column attachment showing the front section and the back section.

FIG. 3 is a bottom plan view of a modular column attachment.

FIG. 4 is a top plan view of a modular column attachment.

FIG. 5 is a right side view of a modular column attachment.

The left side view is a mirror image thereof.

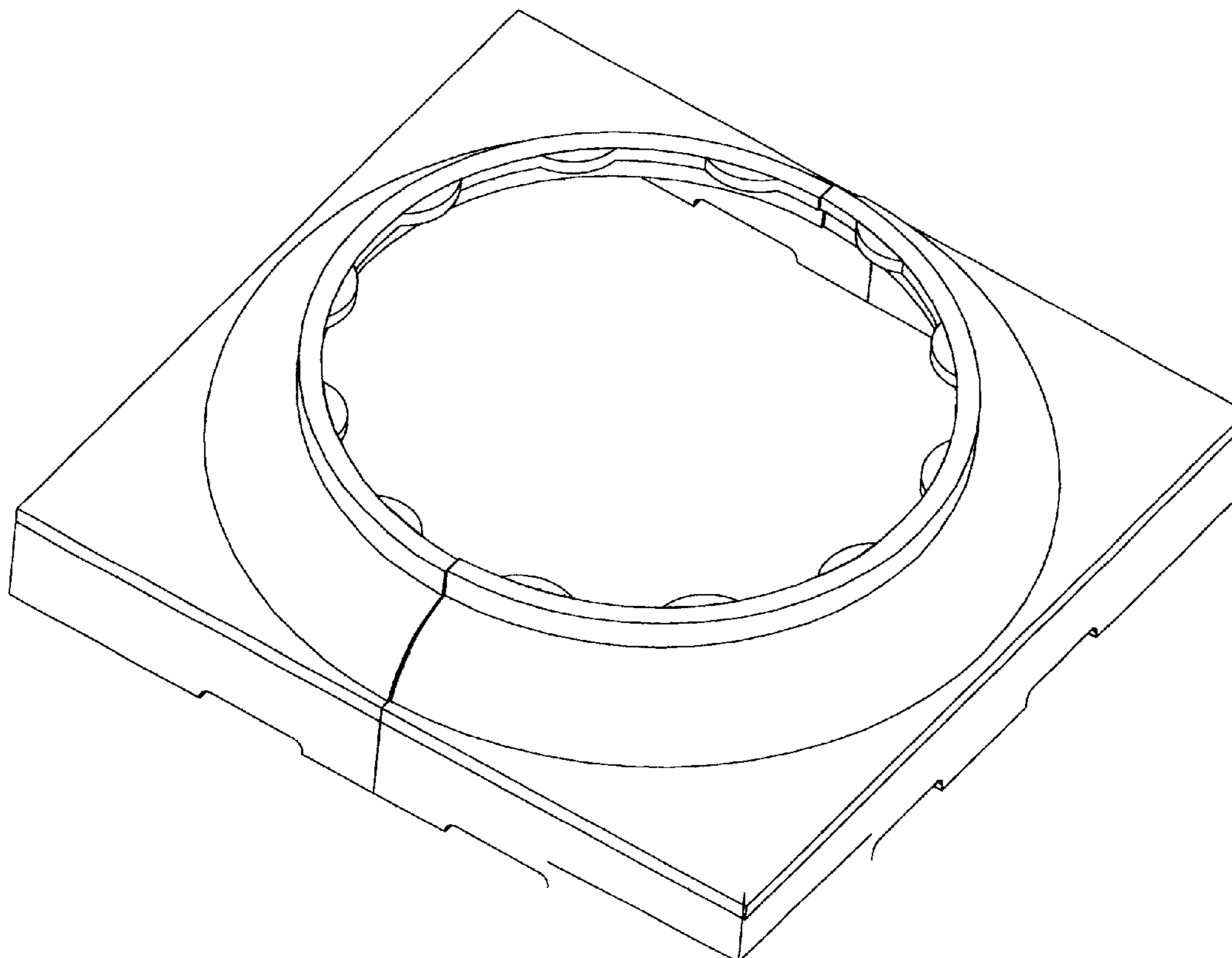
FIG. 6 is a front view of a modular column attachment. The back view is a mirror image thereof.

FIG. 7 is a perspective view of the front section of a modular column attachment. The back section is a mirror image thereof.

FIG. 8 is a back view of the front section of a modular column attachment. The back view of the back section is a mirror image thereof; and,

FIG. 9 is a right side view of the front section of a modular column attachment. The left side view of the front section is a mirror image thereof.

1 Claim, 9 Drawing Sheets



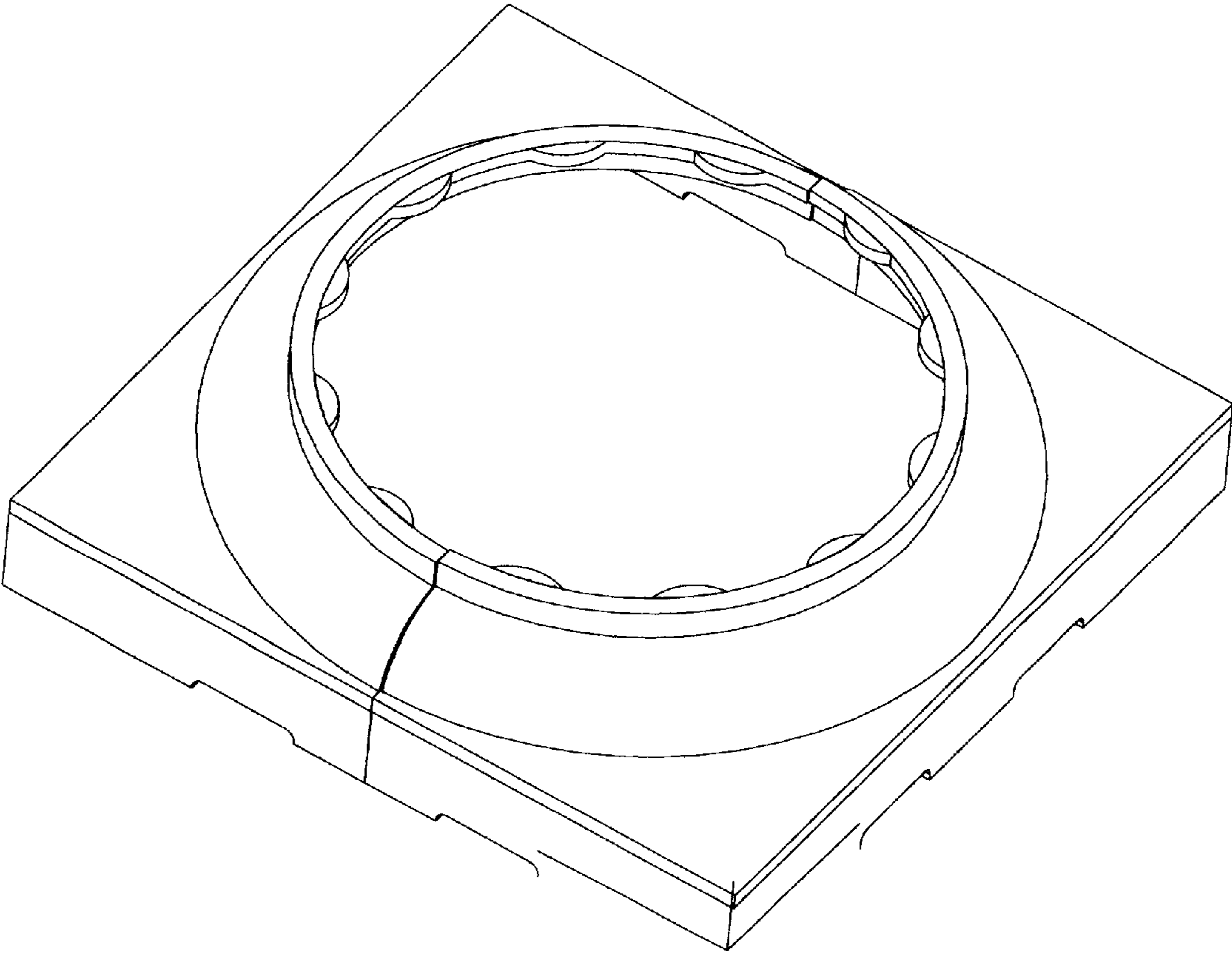


FIG. 1

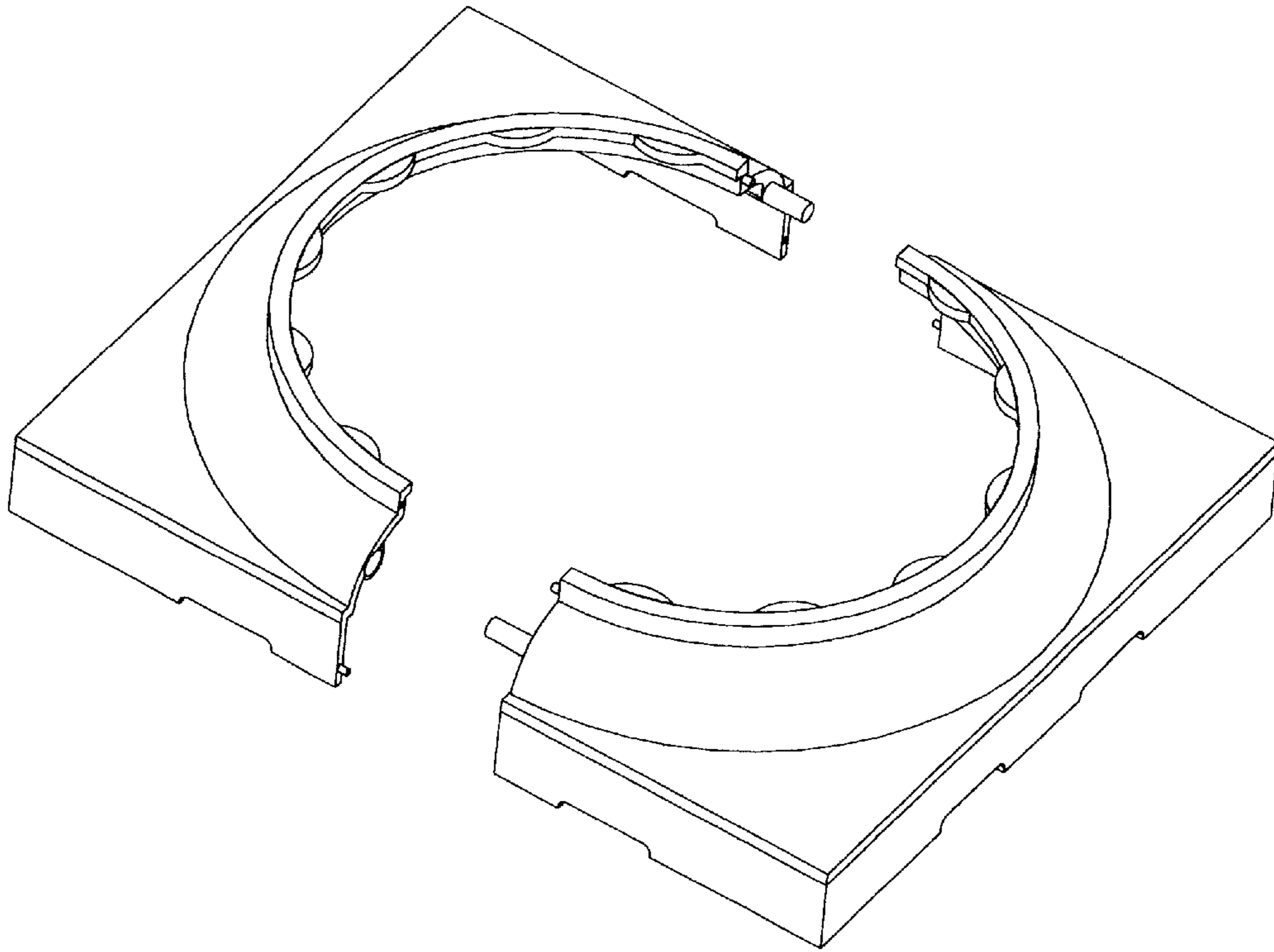


FIG. 2

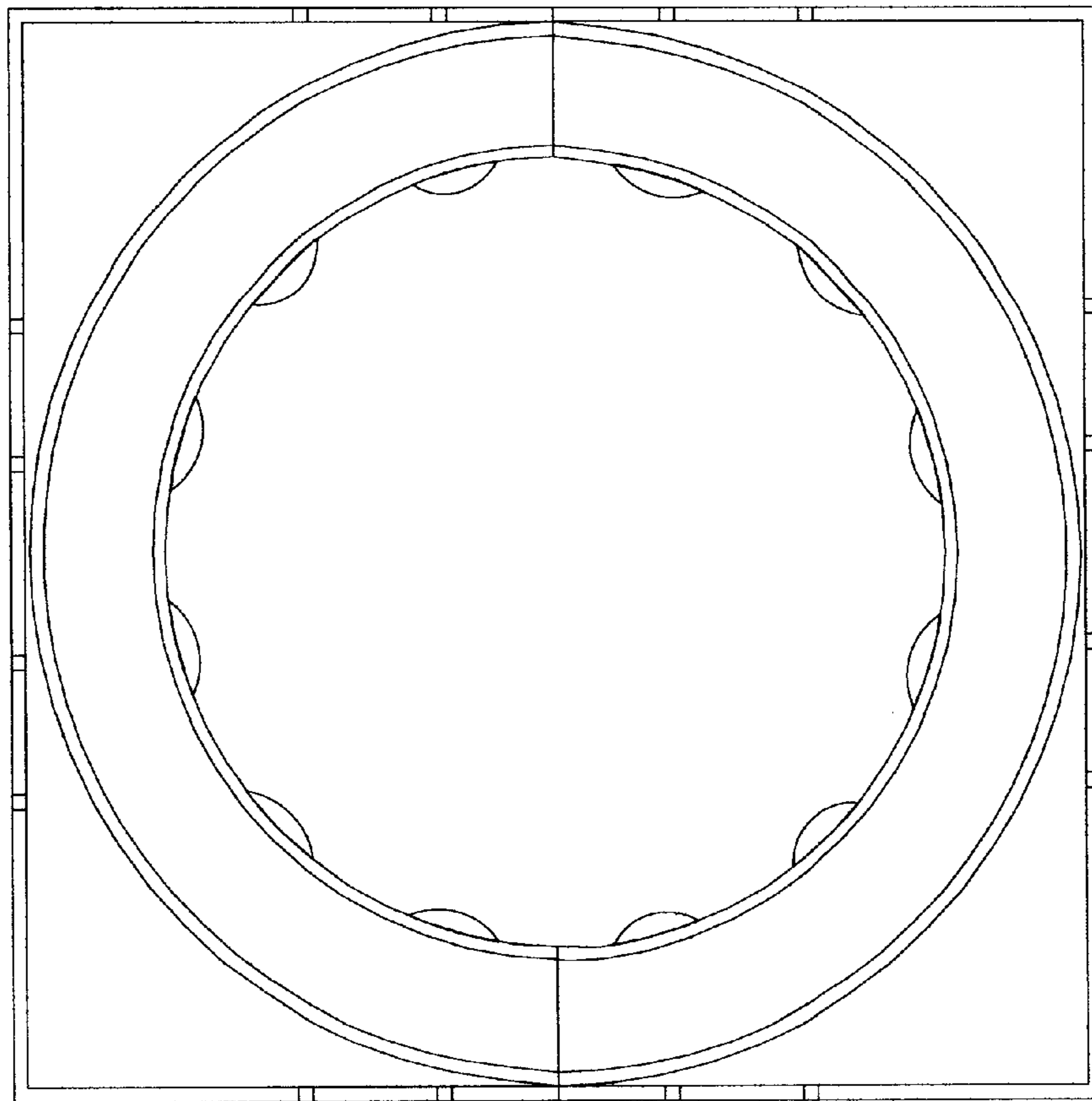


FIG. 3

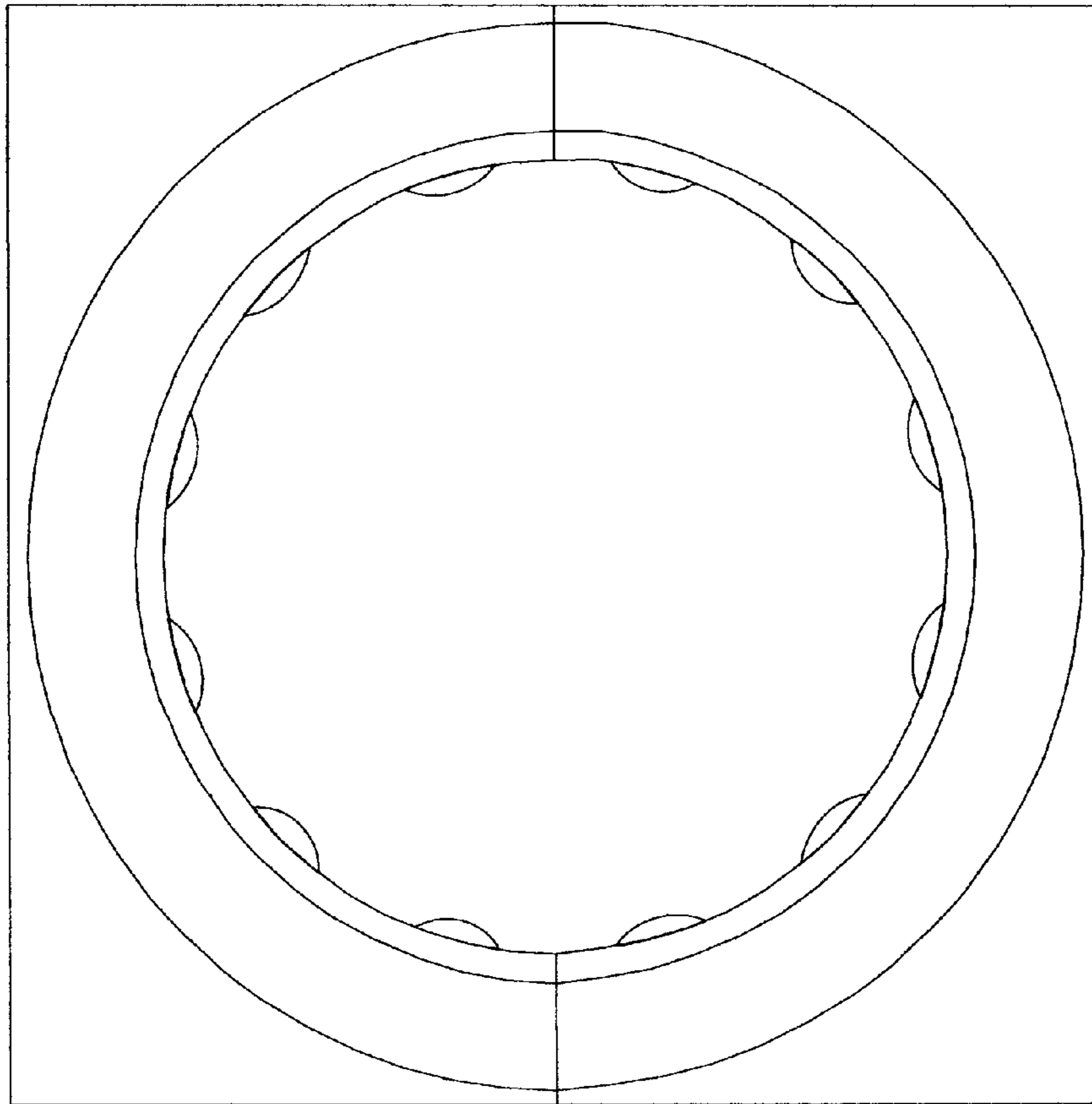


FIG. 4

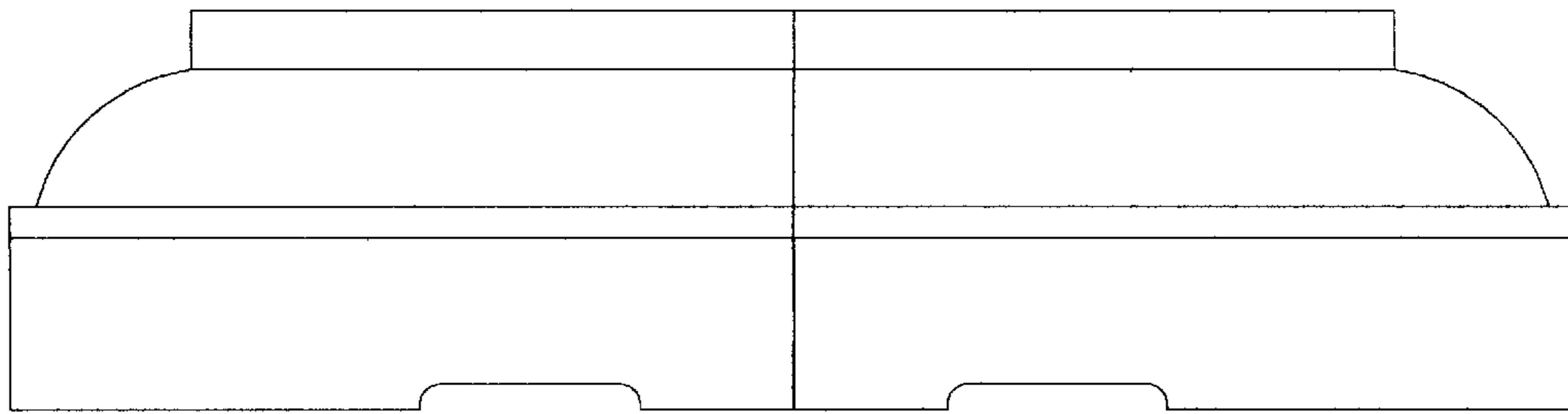


FIG. 5

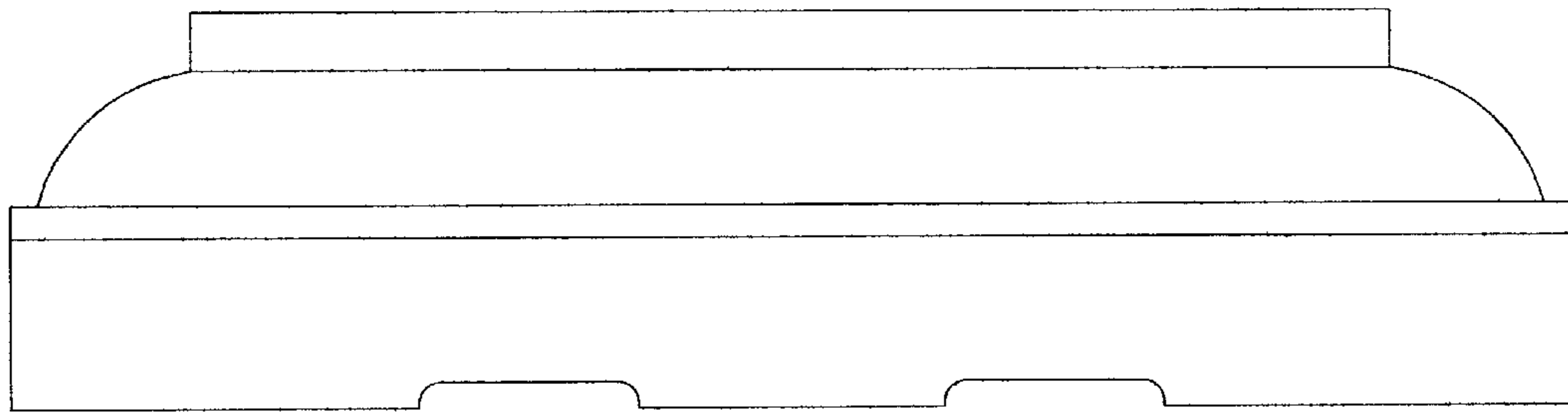


FIG. 6

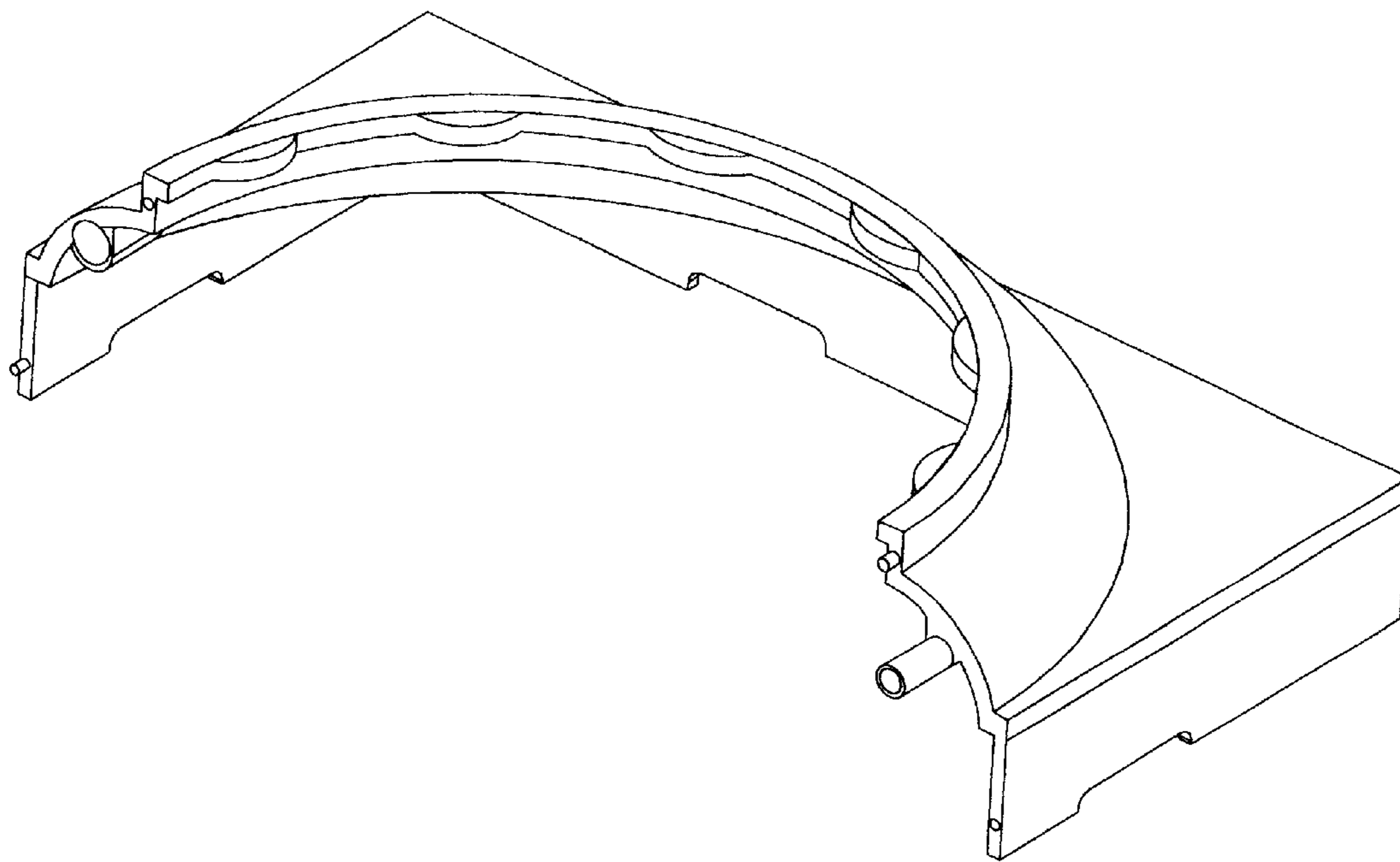


FIG. 7

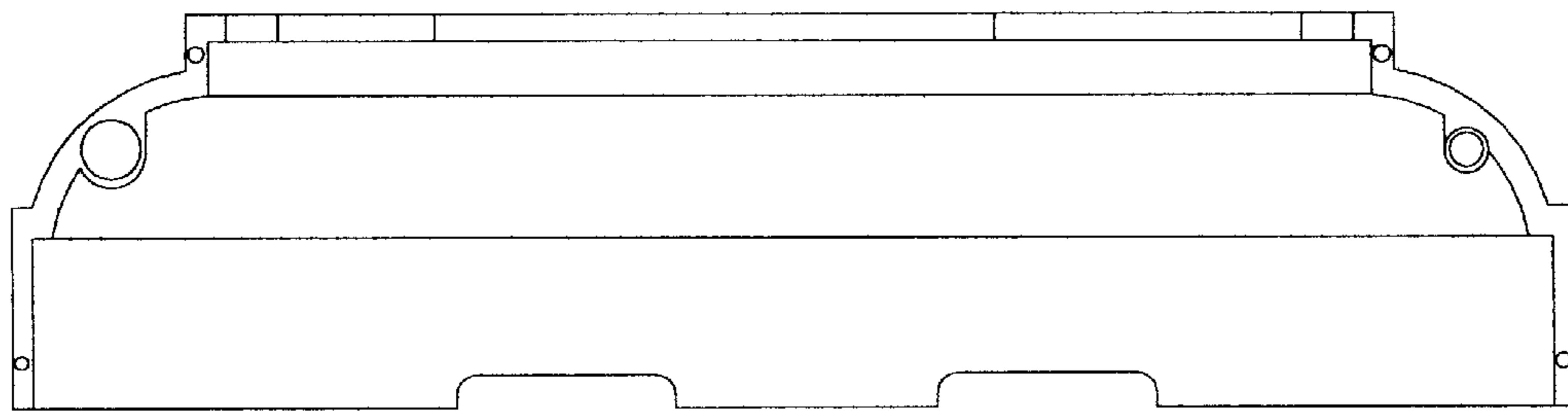


FIG. 8

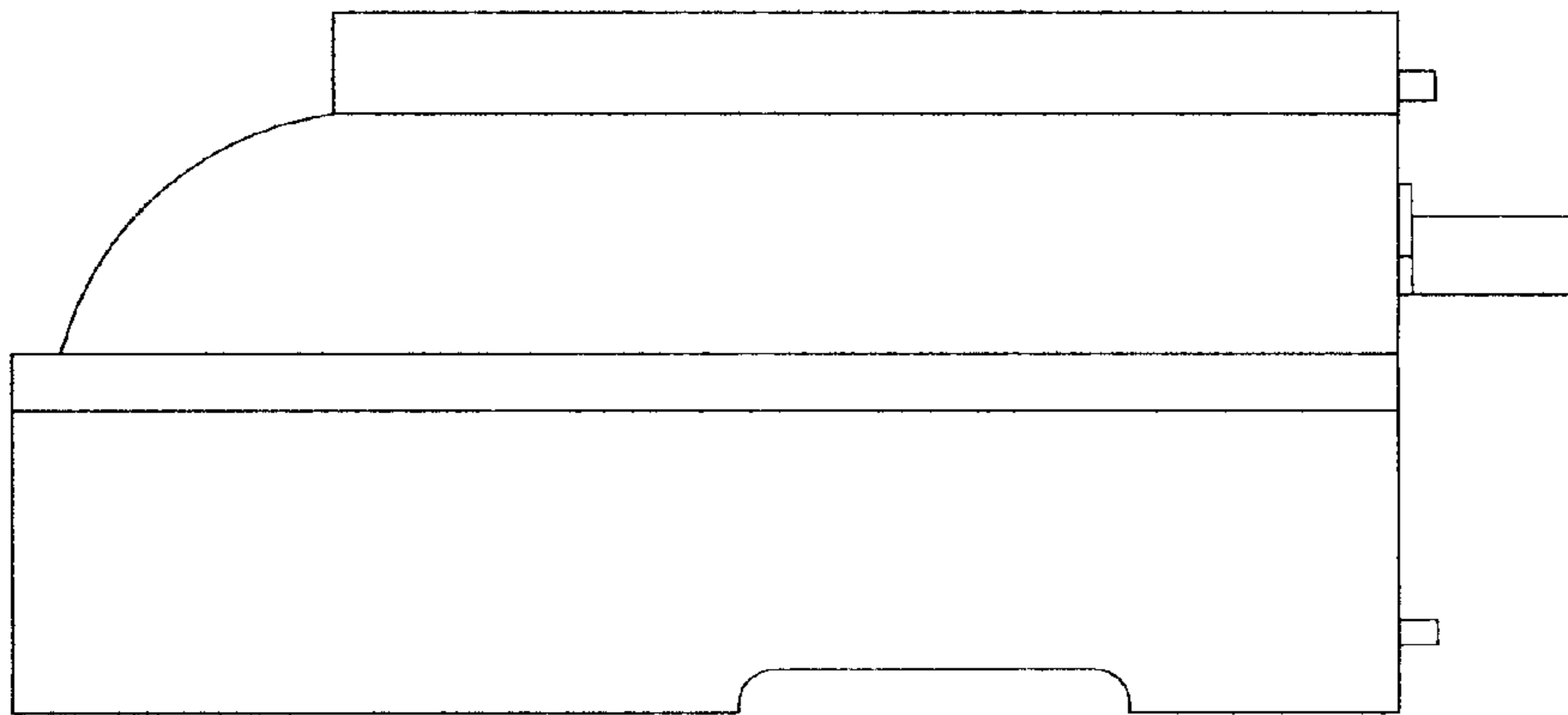


FIG. 9