



US00D531324S

(12) **United States Design Patent**  
**Takagi**

(10) **Patent No.:** **US D531,324 S**

(45) **Date of Patent:** **\*\* Oct. 31, 2006**

(54) **BUILDING BOARD MATERIAL**

(75) Inventor: **Yoshio Takagi**, Setagaya-ku (JP)

(73) Assignee: **Handy Techno Co., Ltd.**, Tokyo (JP)

(\*\*) Term: **14 Years**

(21) Appl. No.: **29/223,590**

(22) Filed: **Feb. 16, 2005**

(30) **Foreign Application Priority Data**

Aug. 17, 2004 (JP) ..... 2004-024489

(51) **LOC (8) Cl.** ..... **25-01**

(52) **U.S. Cl.** ..... **D25/124**

(58) **Field of Classification Search** ..... 52/270.1,  
52/302.1, 793.11, 783.1, 784.14, 793.1; D25/138,  
D25/124

See application file for complete search history.

(56) **References Cited**

**U.S. PATENT DOCUMENTS**

4,761,028 A \* 8/1988 Dulebohn ..... 294/99.2

D329,914 S \* 9/1992 Veilleux ..... D25/138  
5,600,930 A \* 2/1997 Drucker ..... 52/585.1

\* cited by examiner

*Primary Examiner*—Doris Clark

(74) *Attorney, Agent, or Firm*—Frishauf, Holtz, Goodman & Chick, P.C.

(57) **CLAIM**

The ornamental design for a building board material, as shown and described.

**DESCRIPTION**

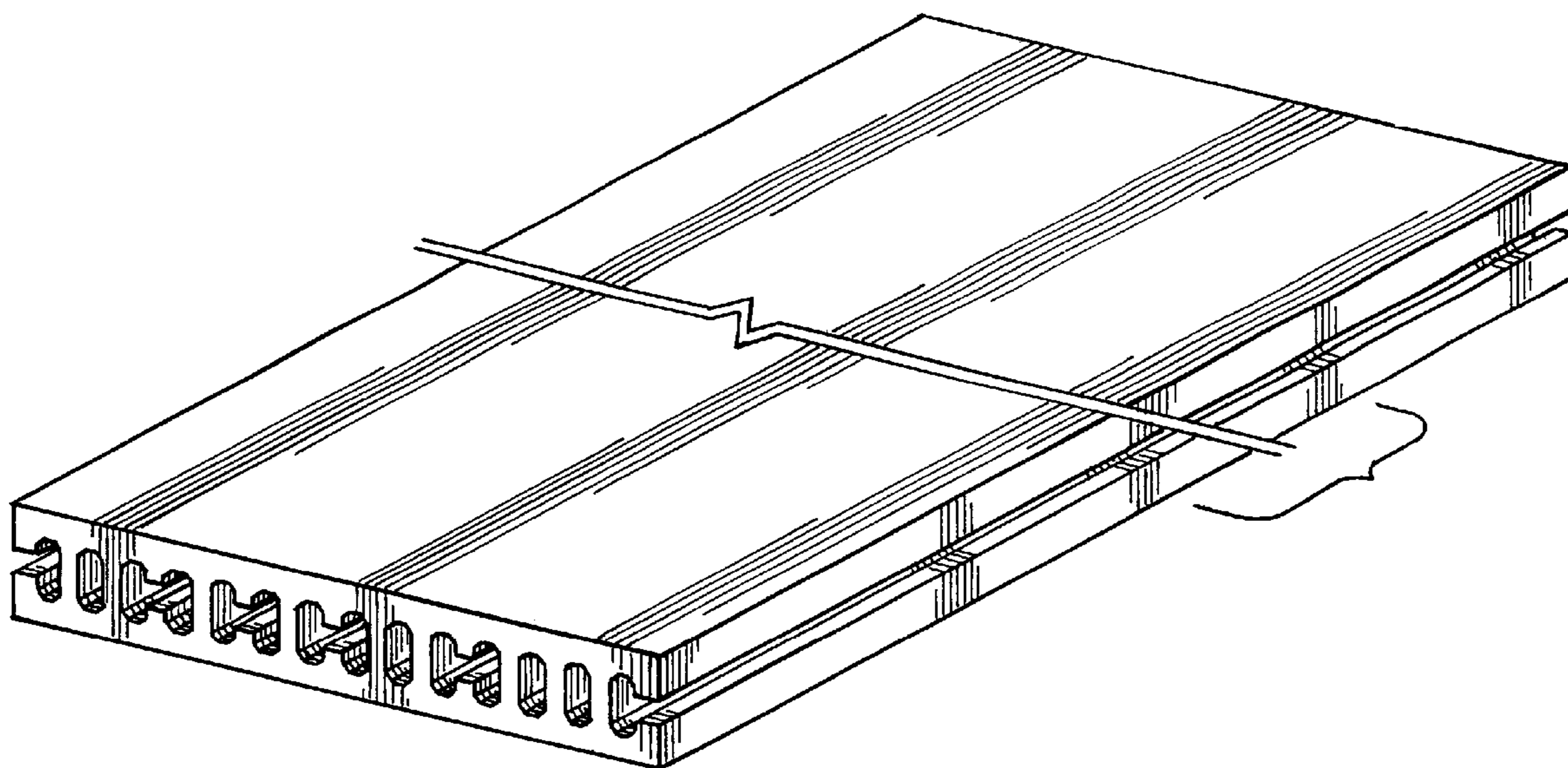
FIG. 1 is a front, top, right side perspective view of a building board material, of indeterminate length, showing my new design;

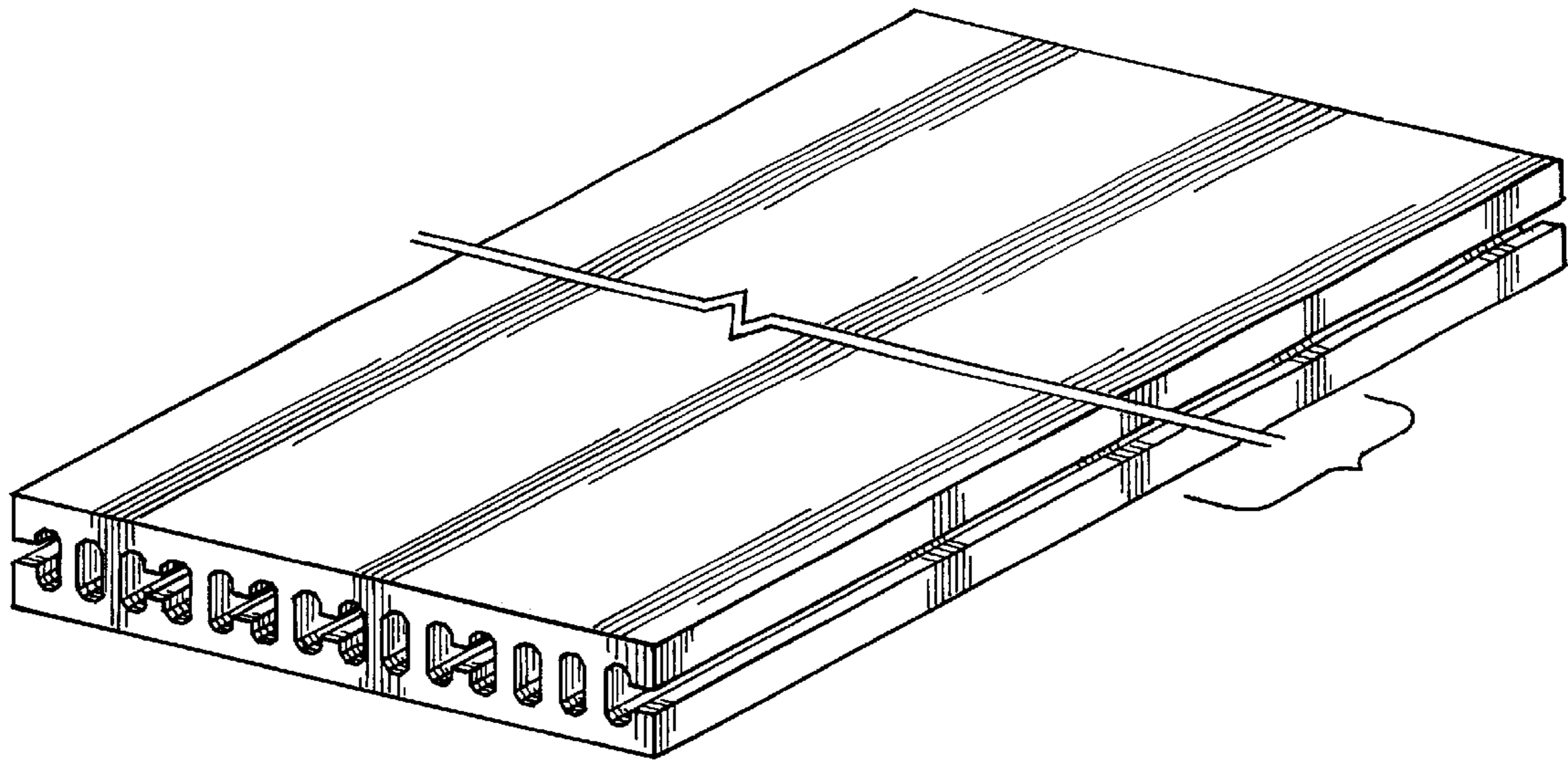
FIG. 2 is a front elevational view thereof, the rear elevational view being a mirror image;

FIG. 3 is a top plan view thereof, the bottom plan view being identical; and,

FIG. 4 is a right side view thereof, the left side view being identical.

**1 Claim, 1 Drawing Sheet**

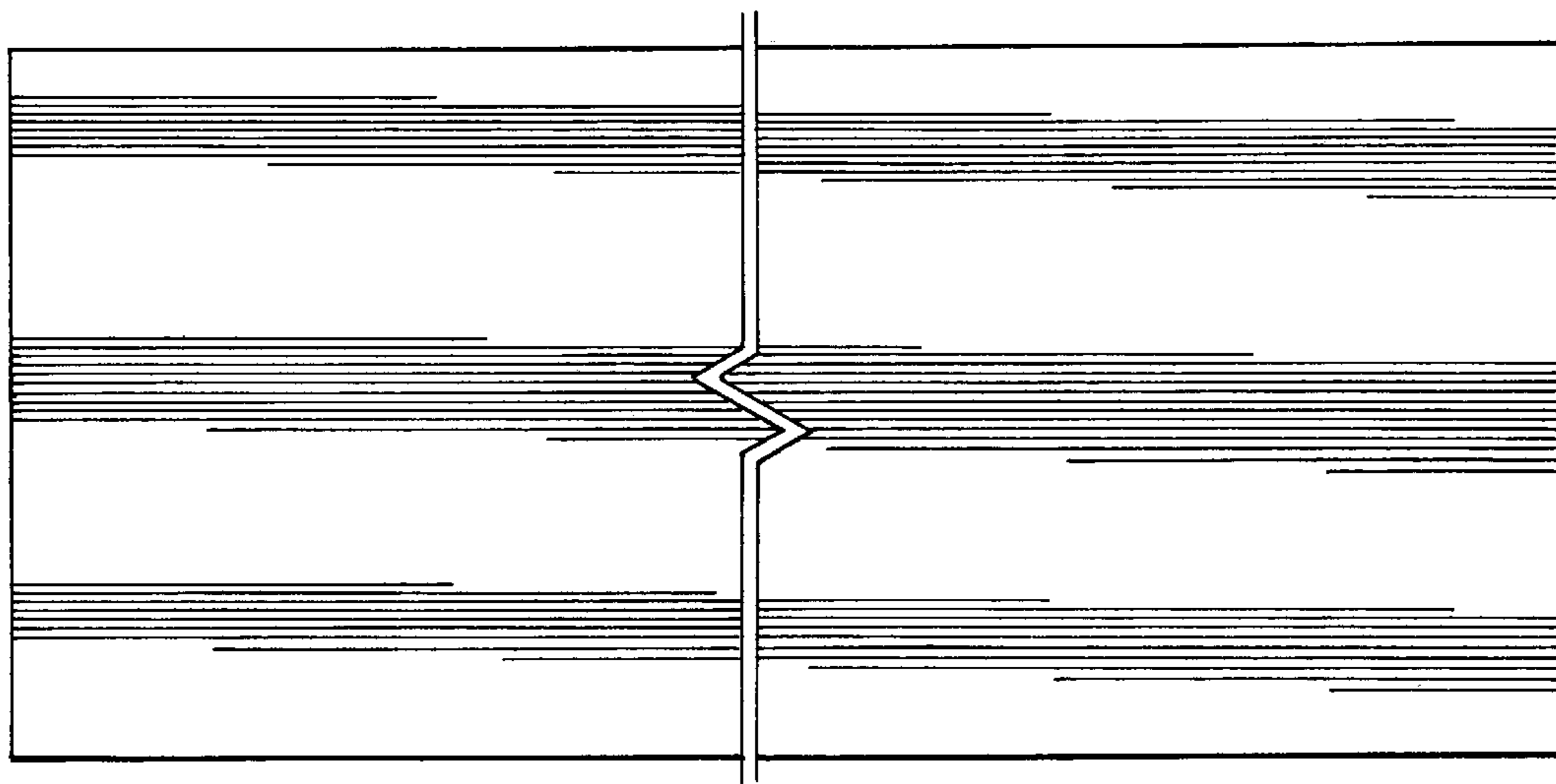




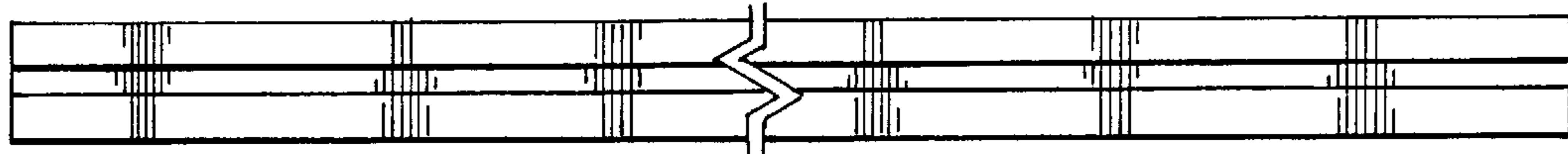
*Fig. 1*



*Fig. 2*



*Fig. 3*



*Fig. 4*