



US00D531322S

(12) **United States Design Patent**
Patton et al.

(10) **Patent No.:** **US D531,322 S**

(45) **Date of Patent:** **** Oct. 31, 2006**

(54) **LADDER TOP**

D422,717 S * 4/2000 Bartnicki et al. D25/68
D447,818 S * 9/2001 Weber D25/68
6,502,664 B1 * 1/2003 Peaker, Sr. 182/129

(75) Inventors: **R. Scott Patton**, Greenville, PA (US);
Pete Robinson, Greenville, PA (US);
Serigo DeOliveira, Hermitage, PA (US)

* cited by examiner

(73) Assignee: **Werner Co.**, Greenville, PA (US)

Primary Examiner—Doris Clark

(**) Term: **14 Years**

(74) *Attorney, Agent, or Firm*—Ansel M. Schwartz

(21) Appl. No.: **29/234,861**

(57) **CLAIM**

(22) Filed: **Jul. 22, 2005**

We claim the ornamental design for the ladder top, as shown and described.

(51) **LOC (8) Cl.** **25-04**

DESCRIPTION

(52) **U.S. Cl.** **D25/68**

FIG. 1 is a front perspective view of a ladder top showing our new design.

(58) **Field of Classification Search** D25/68,

FIG. 2 is a top plan view thereof;

D25/69; 248/238, 210; 182/222, 233

FIG. 3 is a rear elevational view thereof;

See application file for complete search history.

FIG. 4 is a front elevational view thereof;

FIG. 5 is a bottom plan view thereof;

(56) **References Cited**

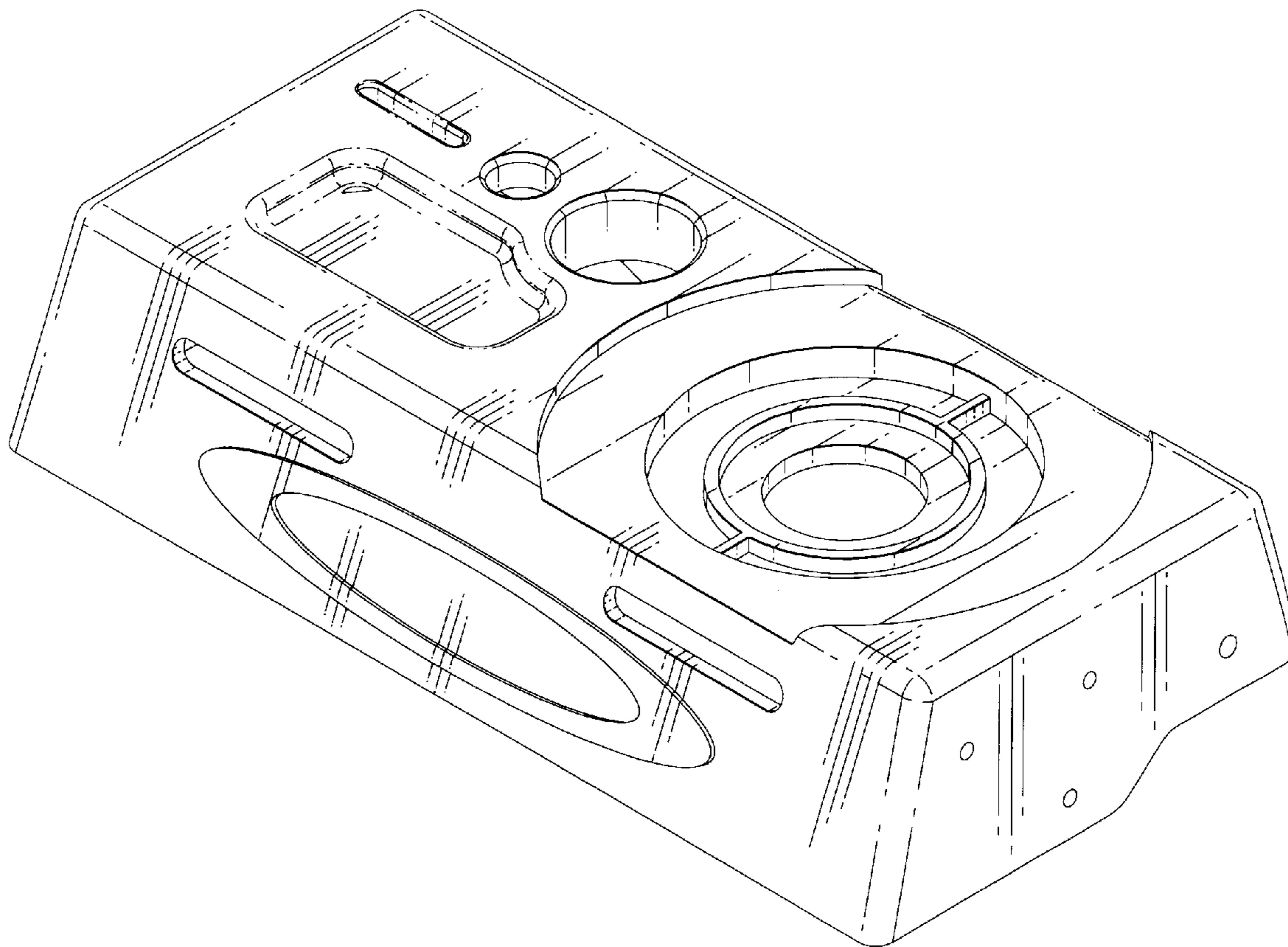
FIG. 6 is a right side elevational view thereof; and,

U.S. PATENT DOCUMENTS

FIG. 7 is a left side elevational view thereof.

D340,773 S * 10/1993 Bartnicki et al. D25/68

1 Claim, 5 Drawing Sheets



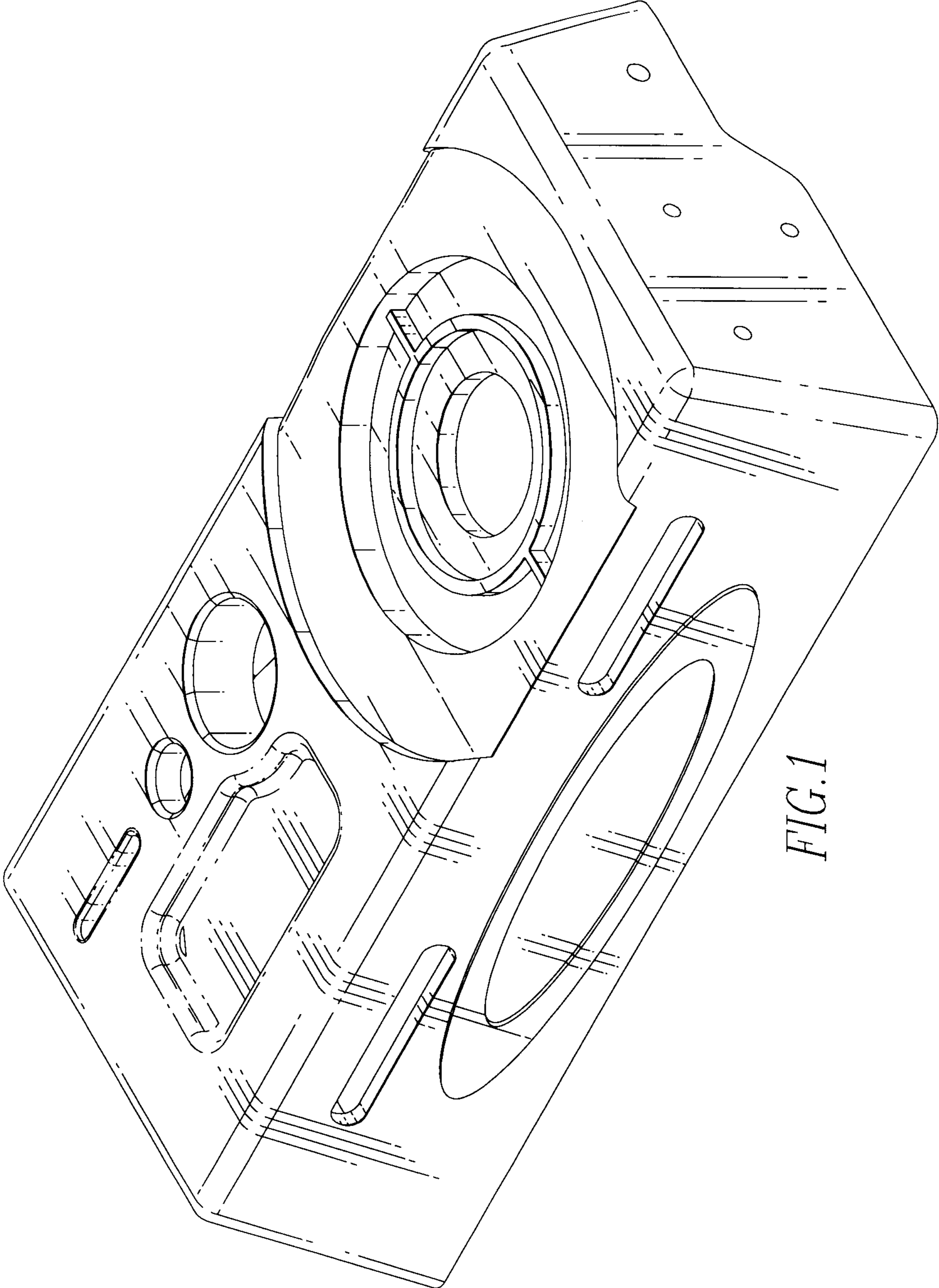


FIG.1

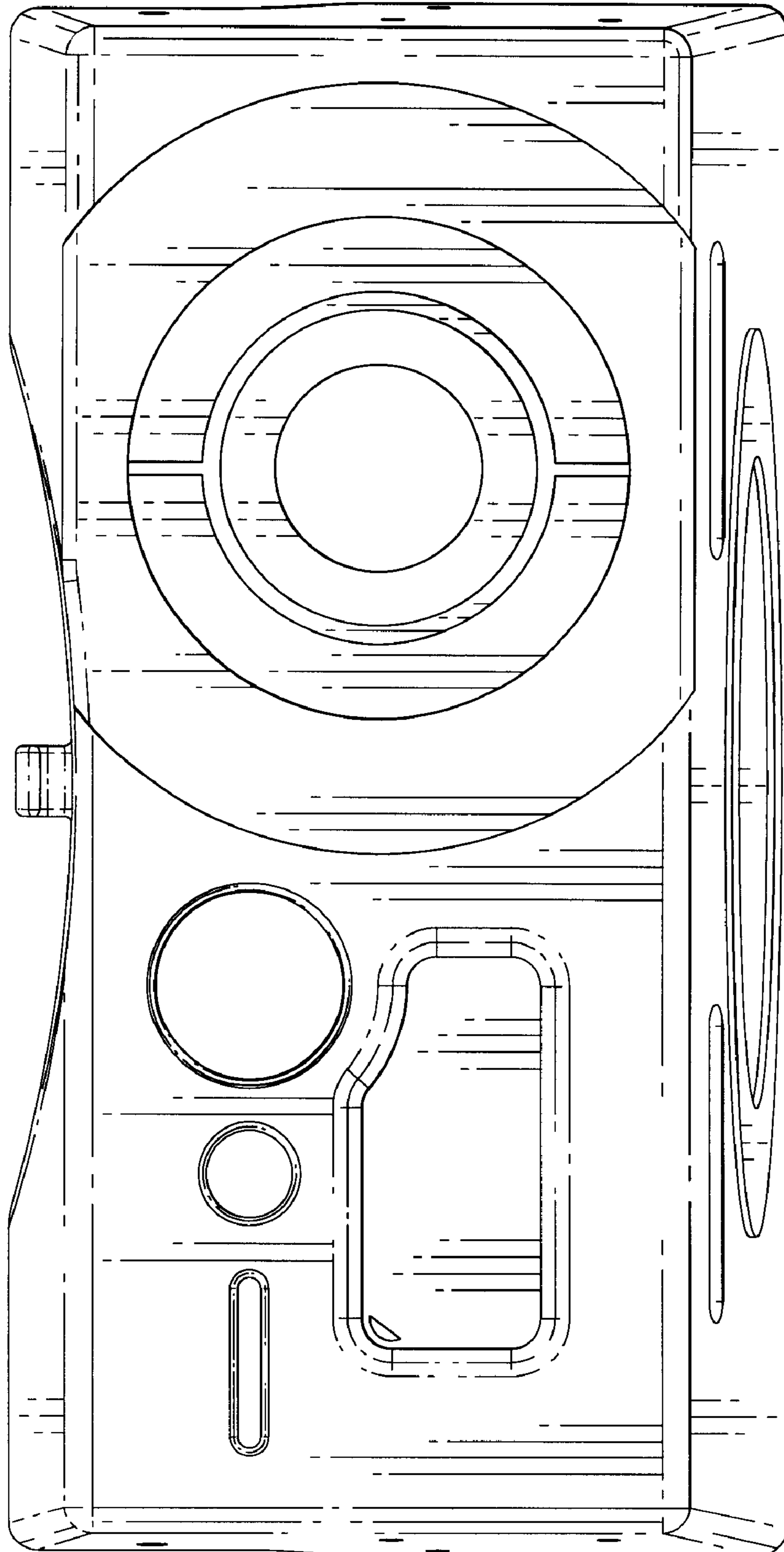


FIG. 2

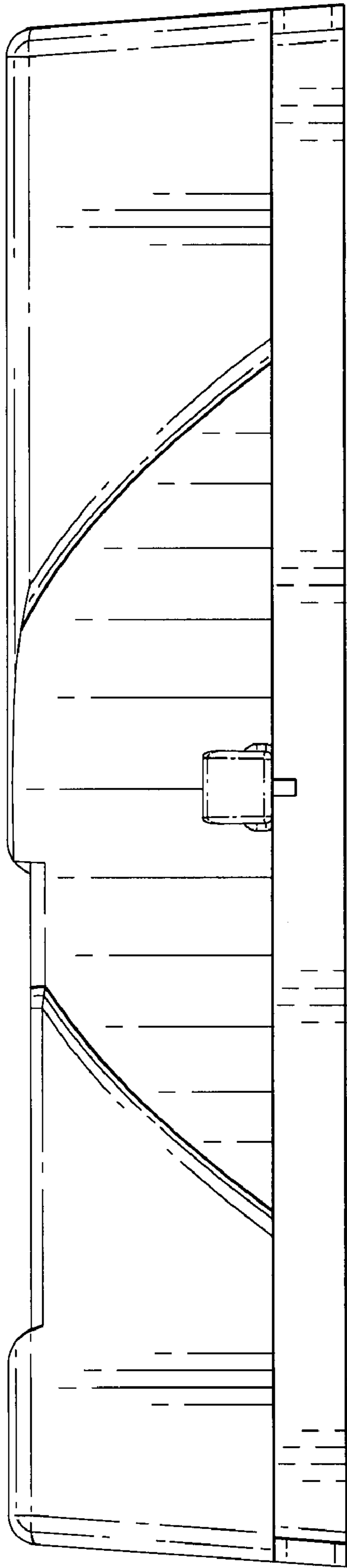


FIG. 3

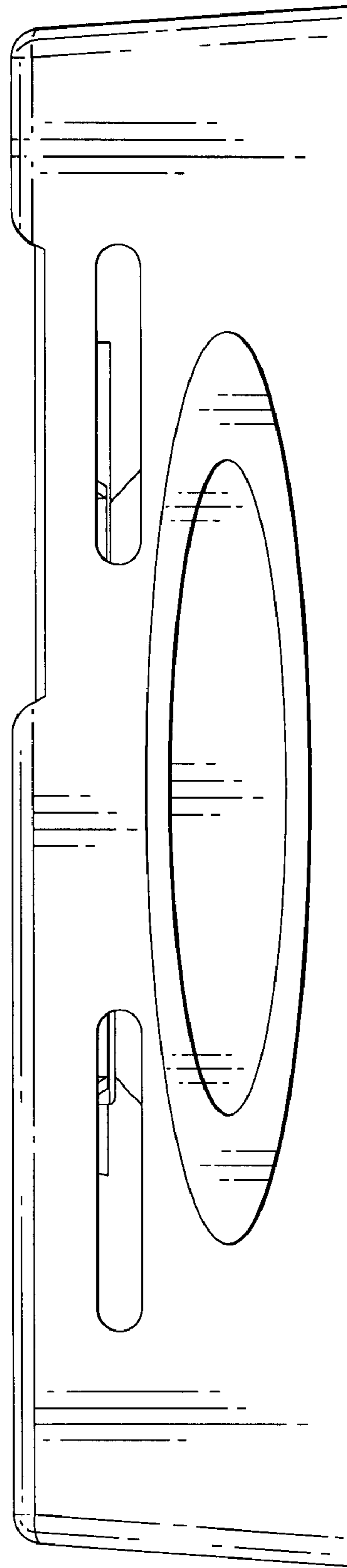


FIG. 4

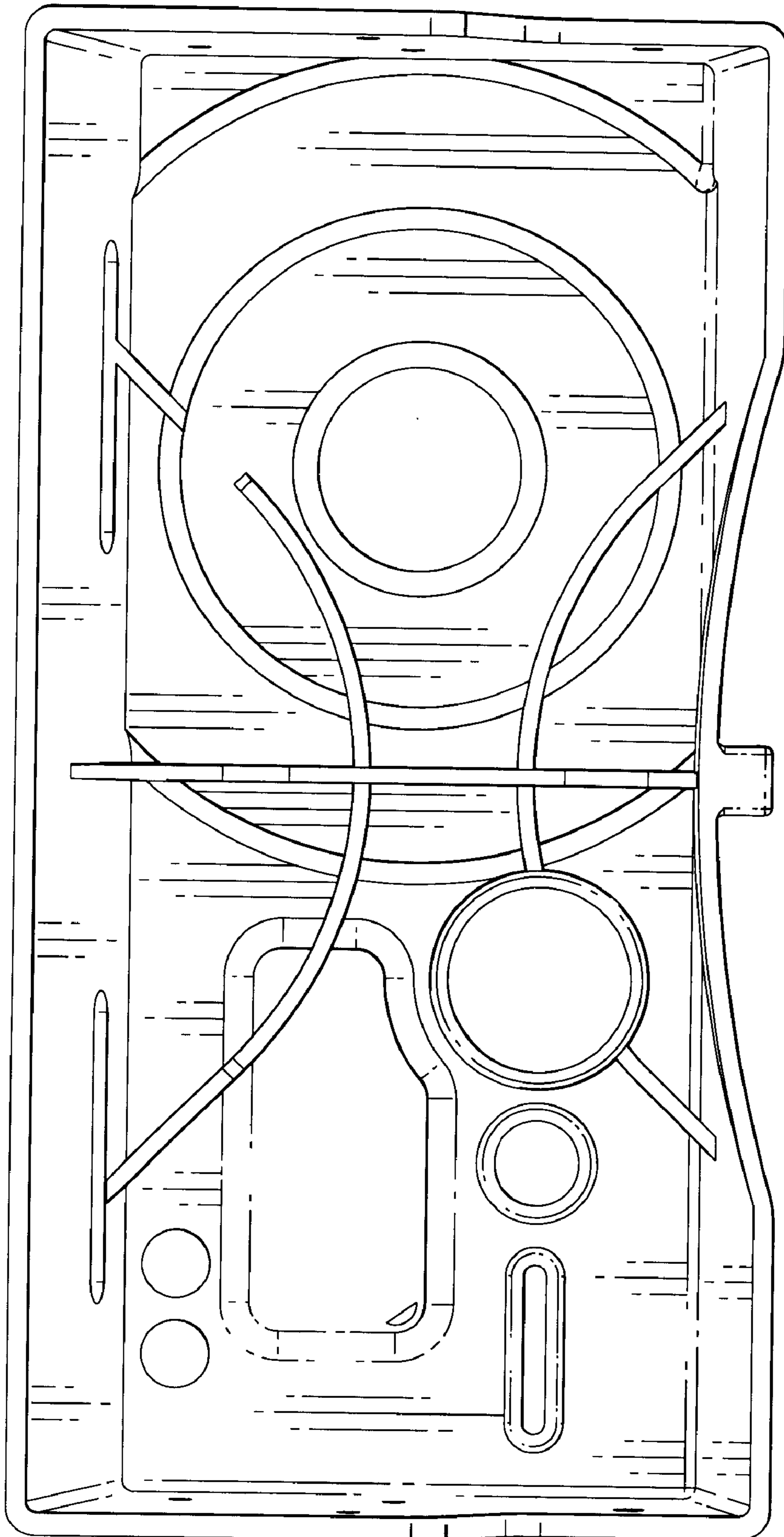


FIG. 5

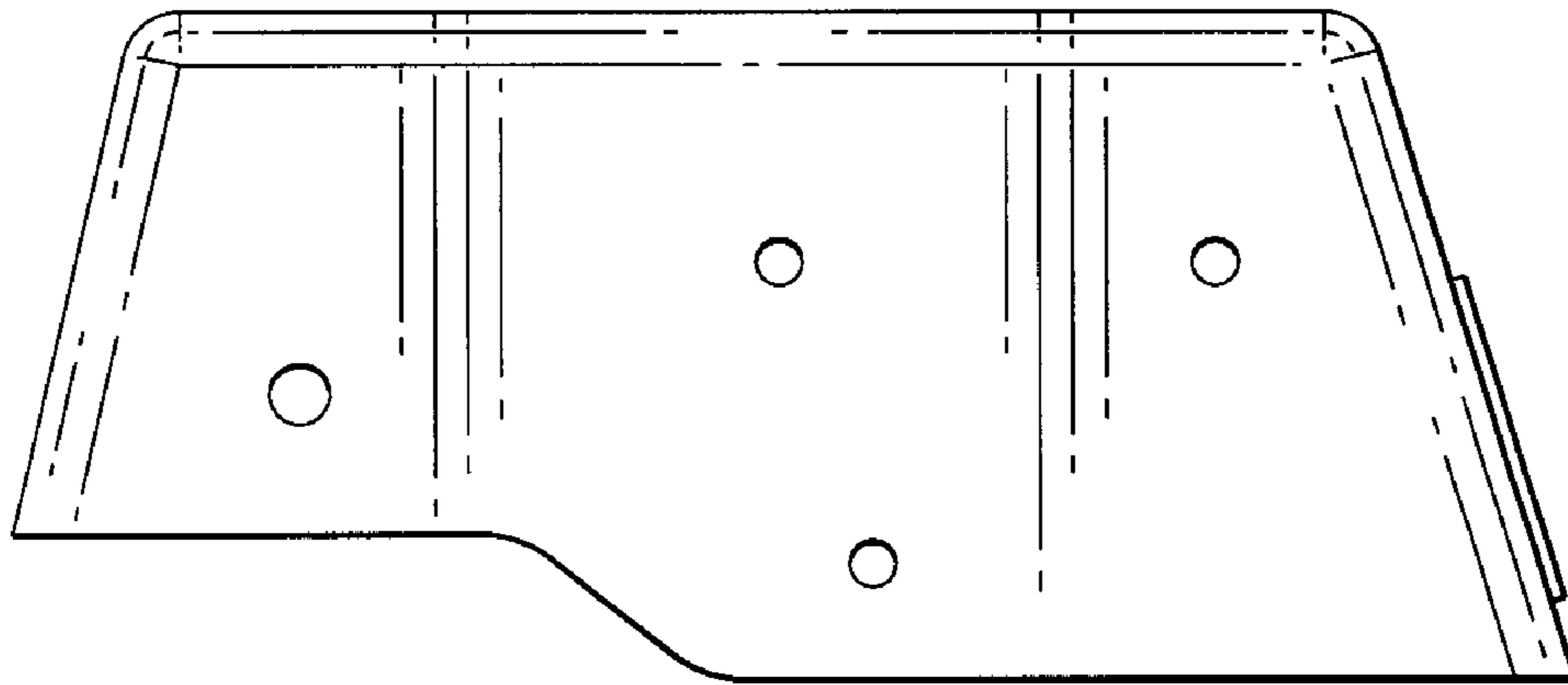


FIG. 6

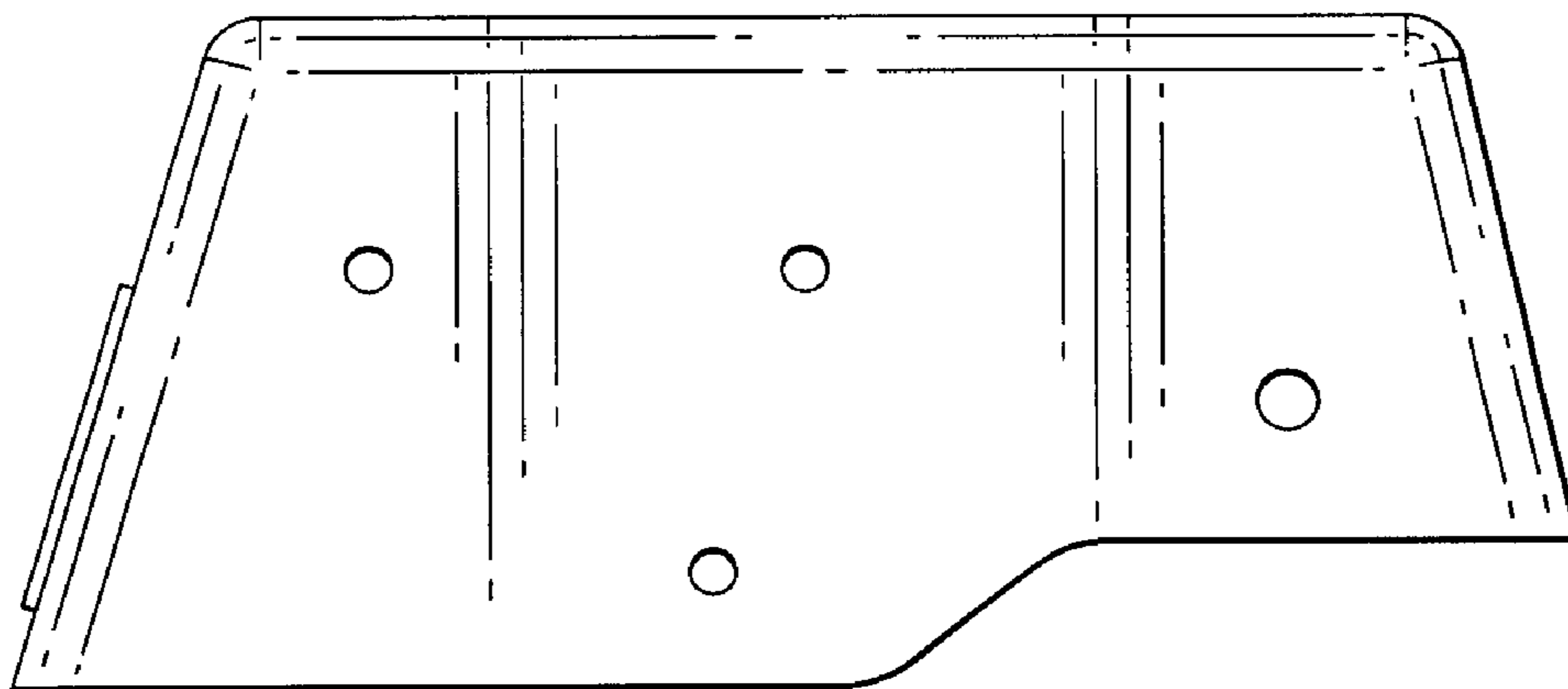


FIG. 7