



US00D531320S

(12) **United States Design Patent** (10) **Patent No.:** **US D531,320 S**
Garland et al. (45) **Date of Patent:** **** Oct. 31, 2006**

(54) **CASSETTE FOR ORGAN TRANSPORTER**

(75) Inventors: **Jeffrey C. Garland**, Littleton, CO (US); **Douglas A. Schein**, Des Plaines, IL (US)

(73) Assignee: **Organ Recovery Systems**, Des Plaines, IL (US)

(**) Term: **14 Years**

(21) Appl. No.: **29/179,035**

(22) Filed: **Apr. 4, 2003**

(51) **LOC (8) Cl.** **24-02**

(52) **U.S. Cl.** **D24/216; D24/107**

(58) **Field of Classification Search** D24/111, D24/216, 108, 133, 107, 121, 128; 435/1.2, 435/284.1, 307.1, 303.1; 62/306, 78, 371; 128/DIG. 26; 604/19

See application file for complete search history.

(56) **References Cited**

U.S. PATENT DOCUMENTS

3,406,531 A	10/1968	Swenson et al.
3,545,221 A	12/1970	Swenson et al.

(Continued)

FOREIGN PATENT DOCUMENTS

DE	38 08 942	9/1989
EP	0 096 997	12/1983
EP	0 376 763 A2	7/1990
GB	1442356 A	7/1976
JP	2-258701	10/1990

(Continued)

OTHER PUBLICATIONS

“Organ Preservation”, J.H. Southard, Ph.D. and F.O. Belzer, M.D., *Principles of Organ Transplantation*, Chapter 10, pp. 194–215, 1989.

“Organko Servier/ungsmachine OKM 82”; Von Dietmer Scholz et al., East German Article, 1983.

“Preservation of Cerebral Function During Circulatory Arrest and Resuscitation: Hypothermic Protective Considerations”, Robert J. White, *Resuscitation*, vol. 1, pp. 107–115, 1972.

“Storage and Transport of Heart and Heart–Lung Donor Organs with Inflatable Cushions and Eutectoid Cooling”, D.R. Wheeldon et al., *The Journal of Heart Transplantation*, vol. 7, pp. 265–268, 1988.

“Mox®–100 Renal Preservation System”, Waters Instruments Medical Group, pp. 2–7, 1982.

“Organ Perfusion Systems: An Evaluation Criteria”; Fereydoon Sadri, Ph.D., *T.O.P.S. Medical Corporation*, pp. 1–8, 1987.

Gauke Kootstra et al, “A New Device Towards Intermediate Term Kidney Preservation—An Experimental Study,” 1980, pp. 86–89.

Primary Examiner—Ian Simmons

Assistant Examiner—Christopher Lee

(74) *Attorney, Agent, or Firm*—Oliff & Berridge, PLC

(57) **CLAIM**

The ornamental design for a cassette for organ transporter, as shown and described.

DESCRIPTION

FIG. 1 is a perspective view of a cassette for organ transporter made of an opaque material;

FIG. 2 is a top view thereof;

FIG. 3 is a bottom view thereof;

FIG. 4 is a front view thereof;

FIG. 5 is a rear view thereof; and

FIG. 6 is a side view thereof, the opposite side view being a mirror image;

FIG. 7 is a perspective view of the cassette for organ transporter made of a transparent material;

FIG. 8 is a top view thereof;

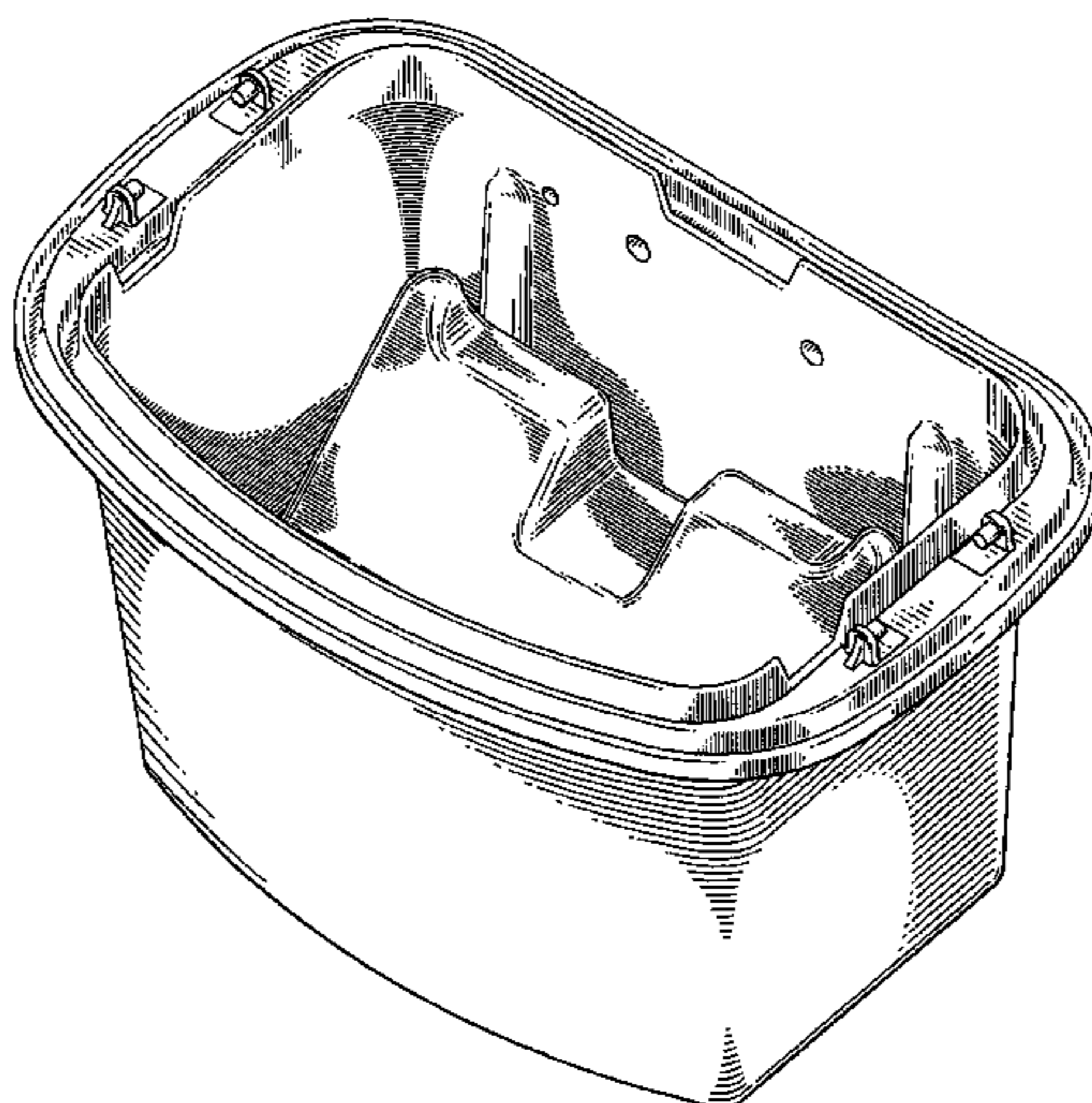
FIG. 9 is a bottom view thereof;

FIG. 10 is a front view thereof;

FIG. 11 is a rear view thereof; and,

FIG. 12 is a side view thereof, the opposite side view being a mirror image.

1 Claim, 12 Drawing Sheets



US D531,320 S

Page 2

U.S. PATENT DOCUMENTS

3,607,646	A	9/1971	de Roissart
3,654,085	A	4/1972	Norr et al.
3,660,241	A	5/1972	Michielsen
3,777,507	A	12/1973	Burton et al.
3,810,367	A	5/1974	Peterson
3,843,455	A	10/1974	Bier
3,877,843	A	4/1975	Fischel
3,881,990	A	5/1975	Burton et al.
3,914,954	A	10/1975	Doerig
3,935,065	A	1/1976	Doerig
3,995,444	A	12/1976	Clark et al.
4,186,565	A	2/1980	Toledo-Pereyra
4,242,883	A	1/1981	Toledo-Pereyra
4,462,215	A	7/1984	Kuraoka et al.
4,471,629	A	9/1984	Toledo-Pereyra
4,473,637	A	9/1984	Guibert
4,474,016	A	10/1984	Winchell
4,494,385	A	1/1985	Kuraoka et al.
4,502,295	A	3/1985	Toledo-Pereyra
4,723,974	A	2/1988	Ammerman
4,745,759	A	5/1988	Bauer et al.
4,766,740	A	8/1988	Bradley et al.
4,837,390	A	6/1989	Reneau
4,951,482	A	8/1990	Gilbert
4,958,506	A	9/1990	Guilhem et al.
5,141,847	A	8/1992	Sugimachi et al.
5,157,930	A	10/1992	McGhee et al.
5,217,860	A	6/1993	Fahy et al.
5,285,657	A	2/1994	Bacchi et al.
5,326,706	A	7/1994	Yland et al.

5,356,771	A	10/1994	O'Dell
5,362,622	A	11/1994	O'Dell et al.
5,383,854	A	1/1995	Safar et al.
5,385,821	A	1/1995	O'Dell et al.
5,434,045	A	7/1995	Jost
5,472,876	A	12/1995	Fahy
5,586,438	A	12/1996	Fahy
5,681,740	A	10/1997	Messier et al.
5,723,282	A	3/1998	Fahy et al.
5,821,045	A	10/1998	Fahy et al.
5,856,081	A	1/1999	Fahy
5,965,433	A	10/1999	Gardetto et al.
6,046,046	A	4/2000	Hassanein
D468,436	S	* 1/2003	Brassil et al. D24/216
6,582,953	B1	* 6/2003	Brasile 435/284.1
6,803,227	B1	* 10/2004	Wood et al. 435/284.1

FOREIGN PATENT DOCUMENTS

SU	760972	9/1980
WO	WO 91/03934	4/1991
WO	WO 91/14364	10/1991
WO	93/00808	1/1993
WO	96/05727	2/1996
WO	WO 96/13288	5/1996
WO	WO 96/29865	10/1996
WO	WO 96/30111	10/1996
WO	WO 97/43899	11/1997
WO	WO 97/45527	12/1997
WO	WO 99/15011	4/1999
WO	WO 00/18226	4/2000

* cited by examiner

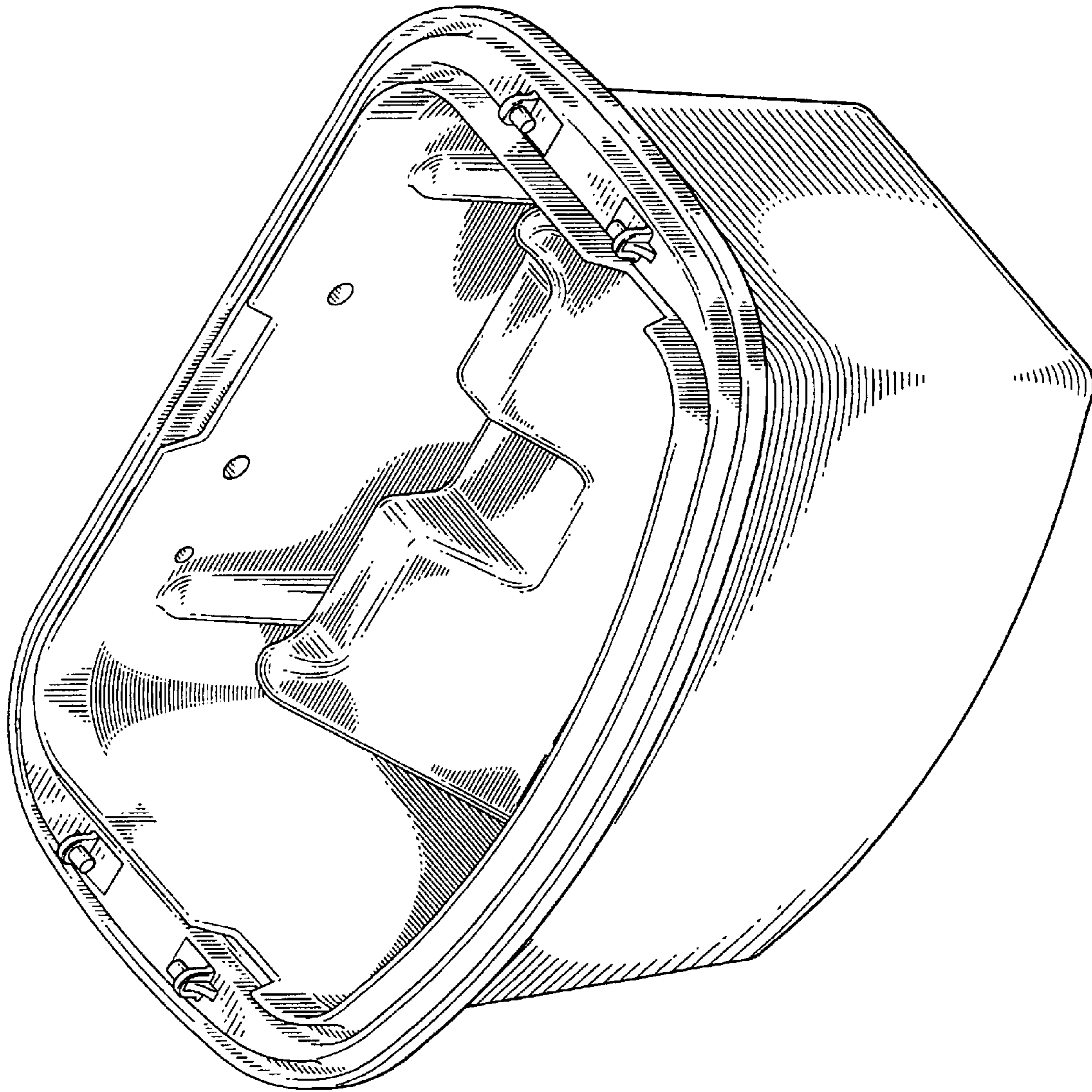


Fig. 1

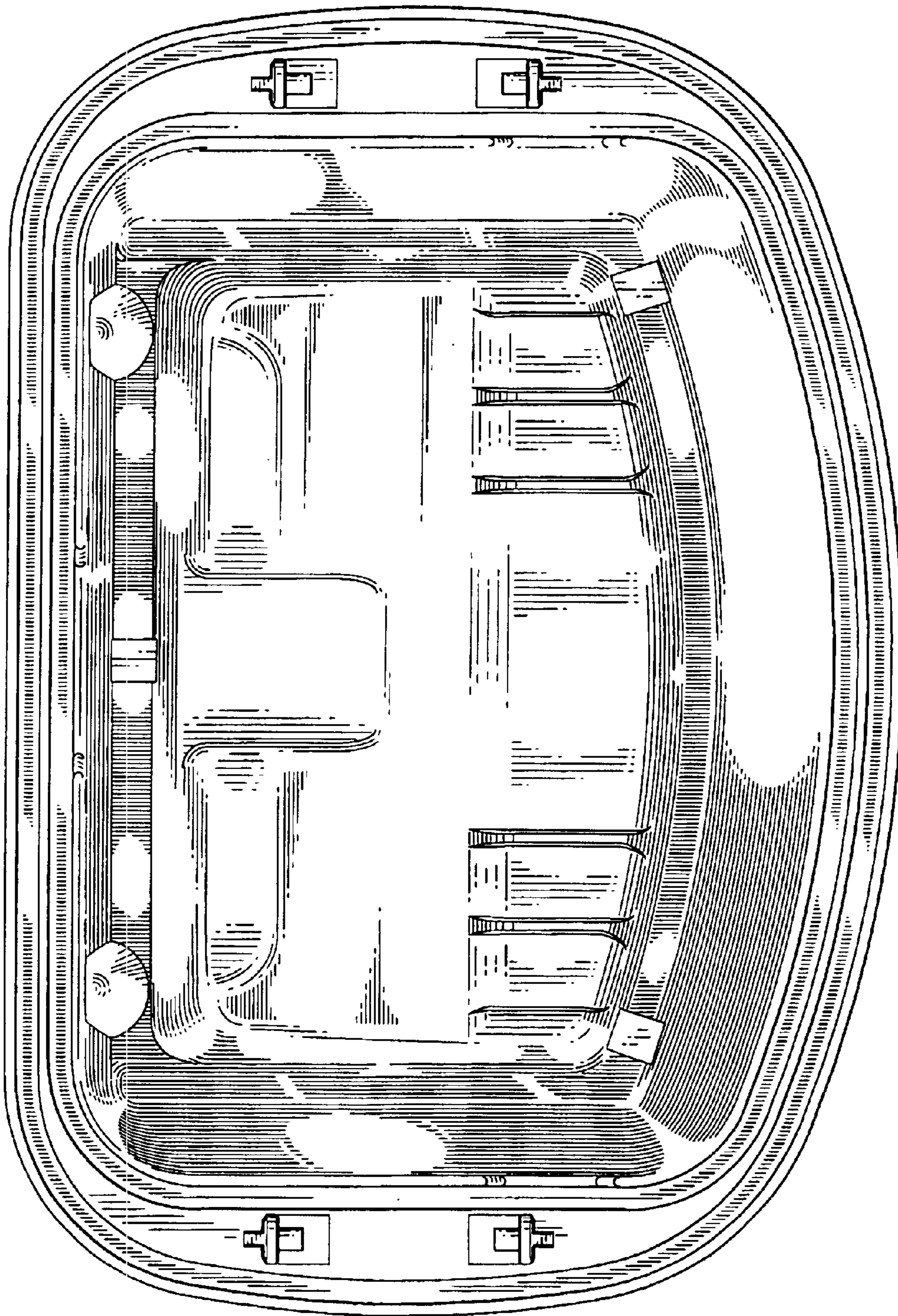


Fig. 2

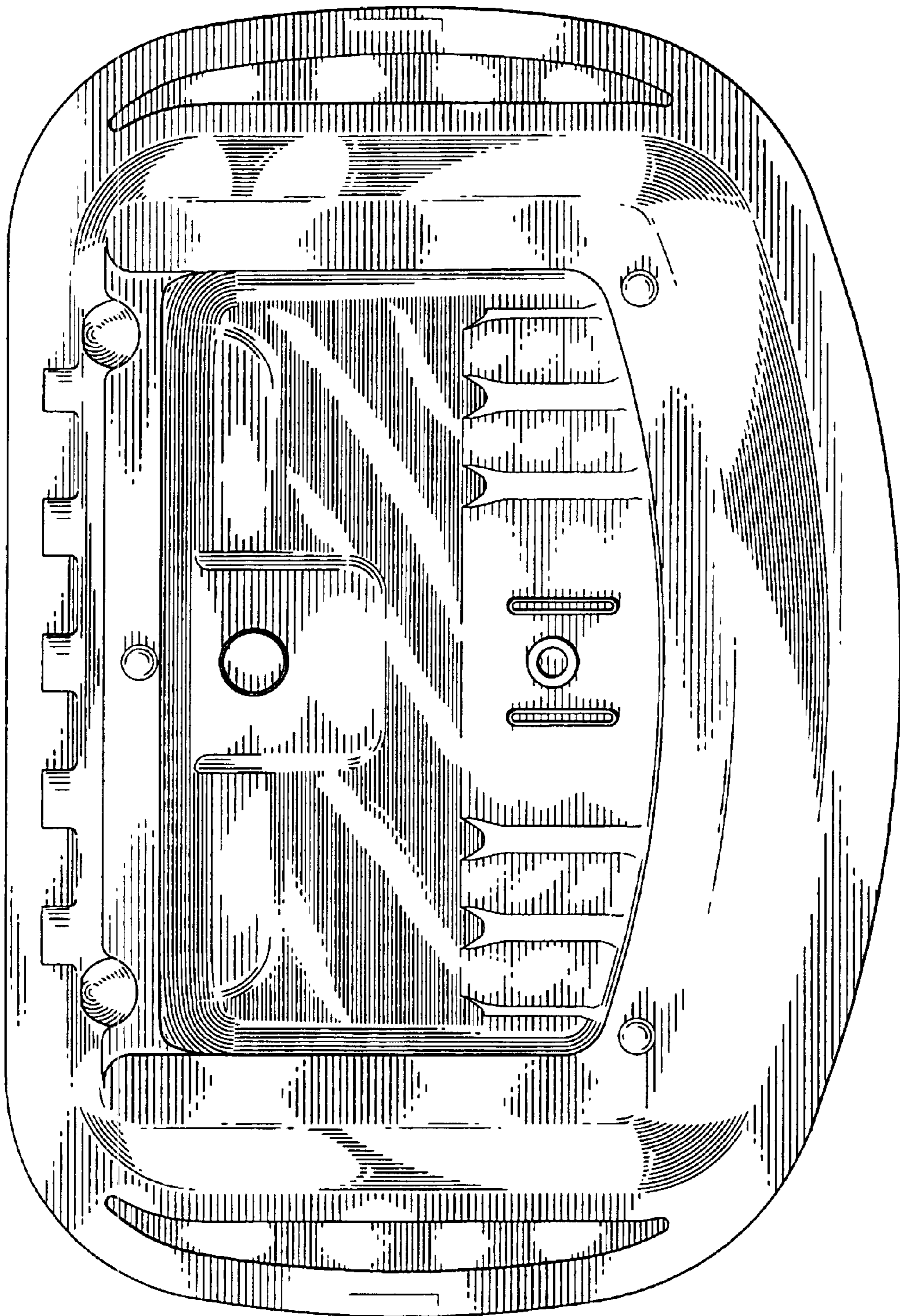


Fig. 3

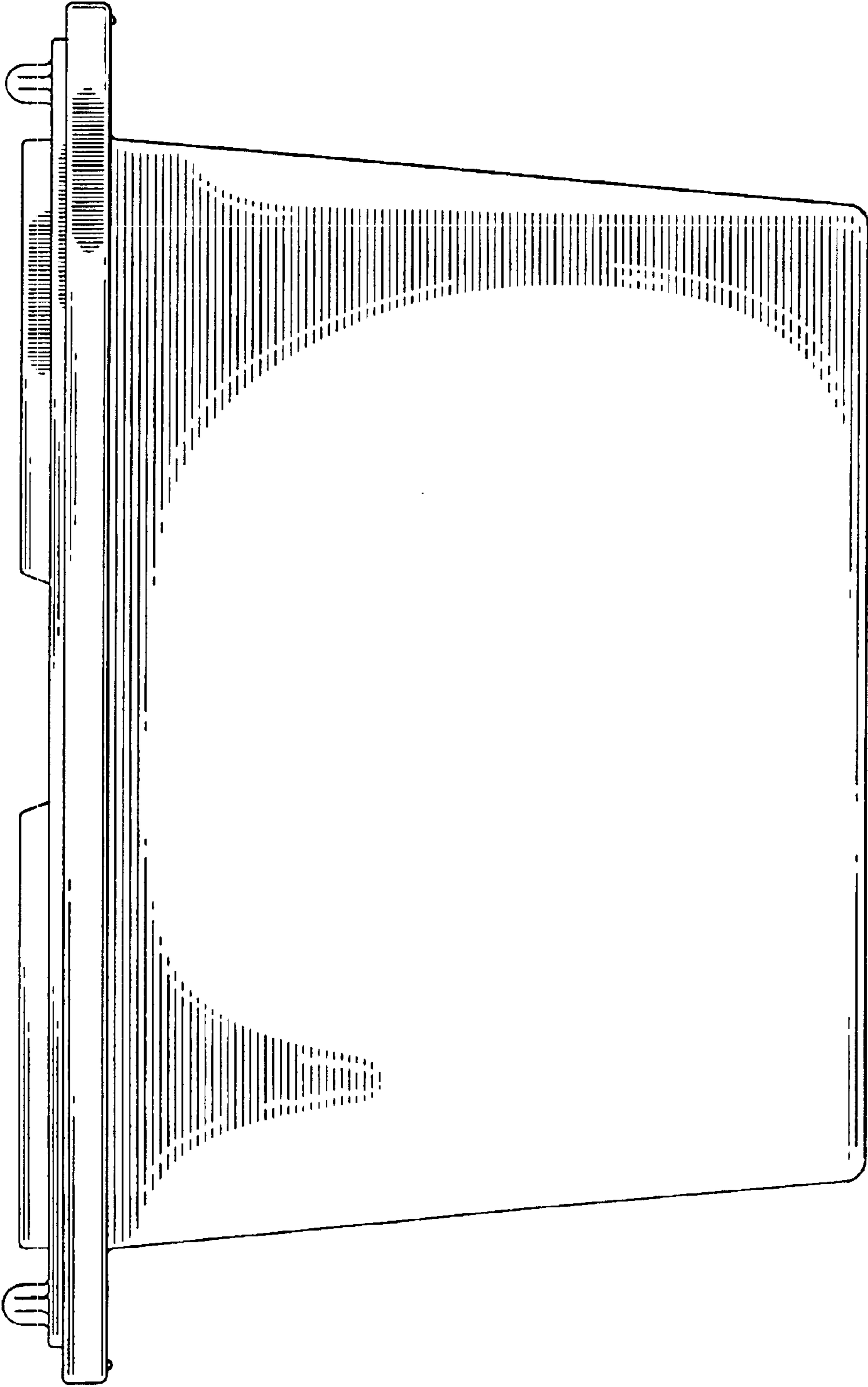


Fig. 4

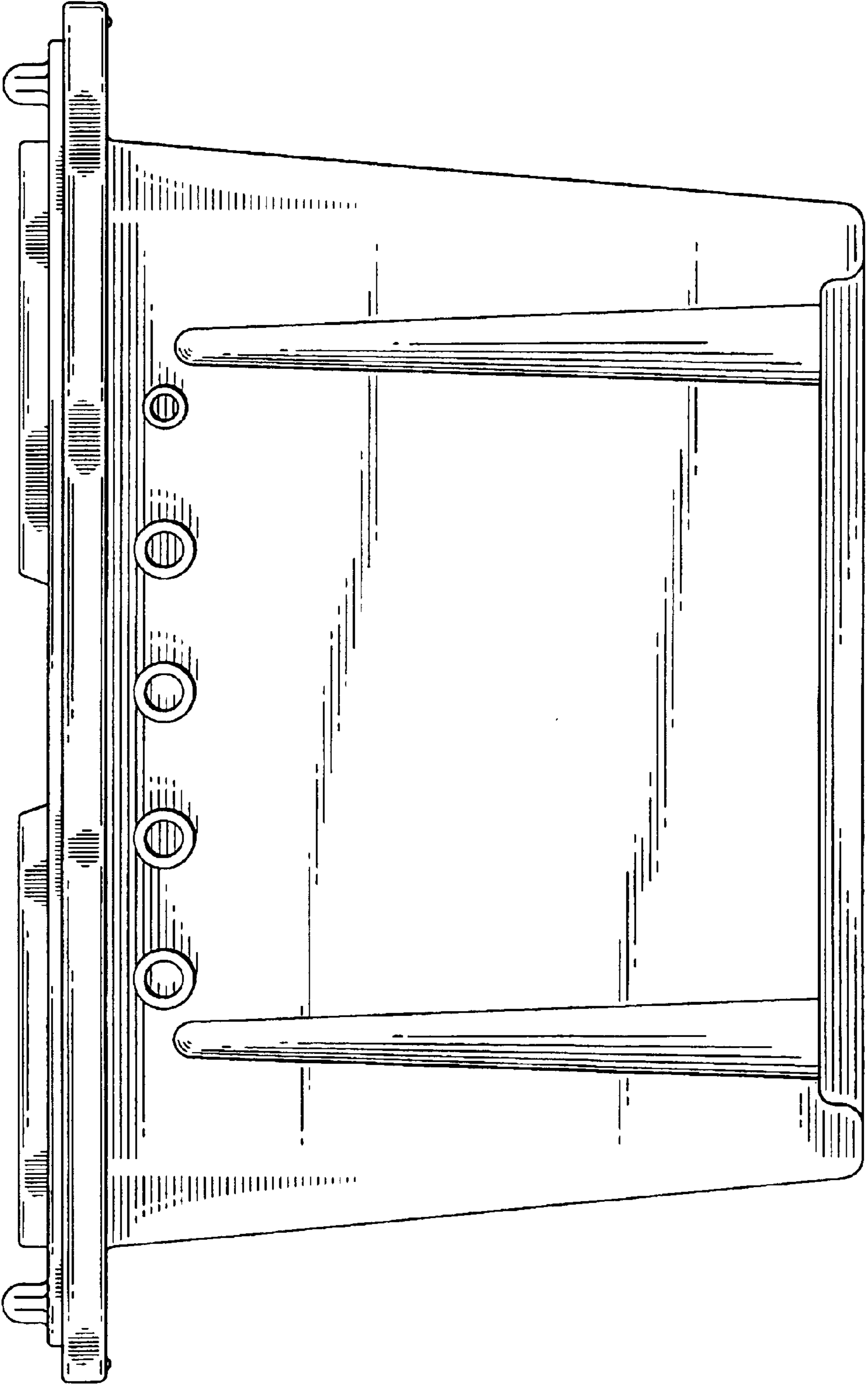


Fig. 5

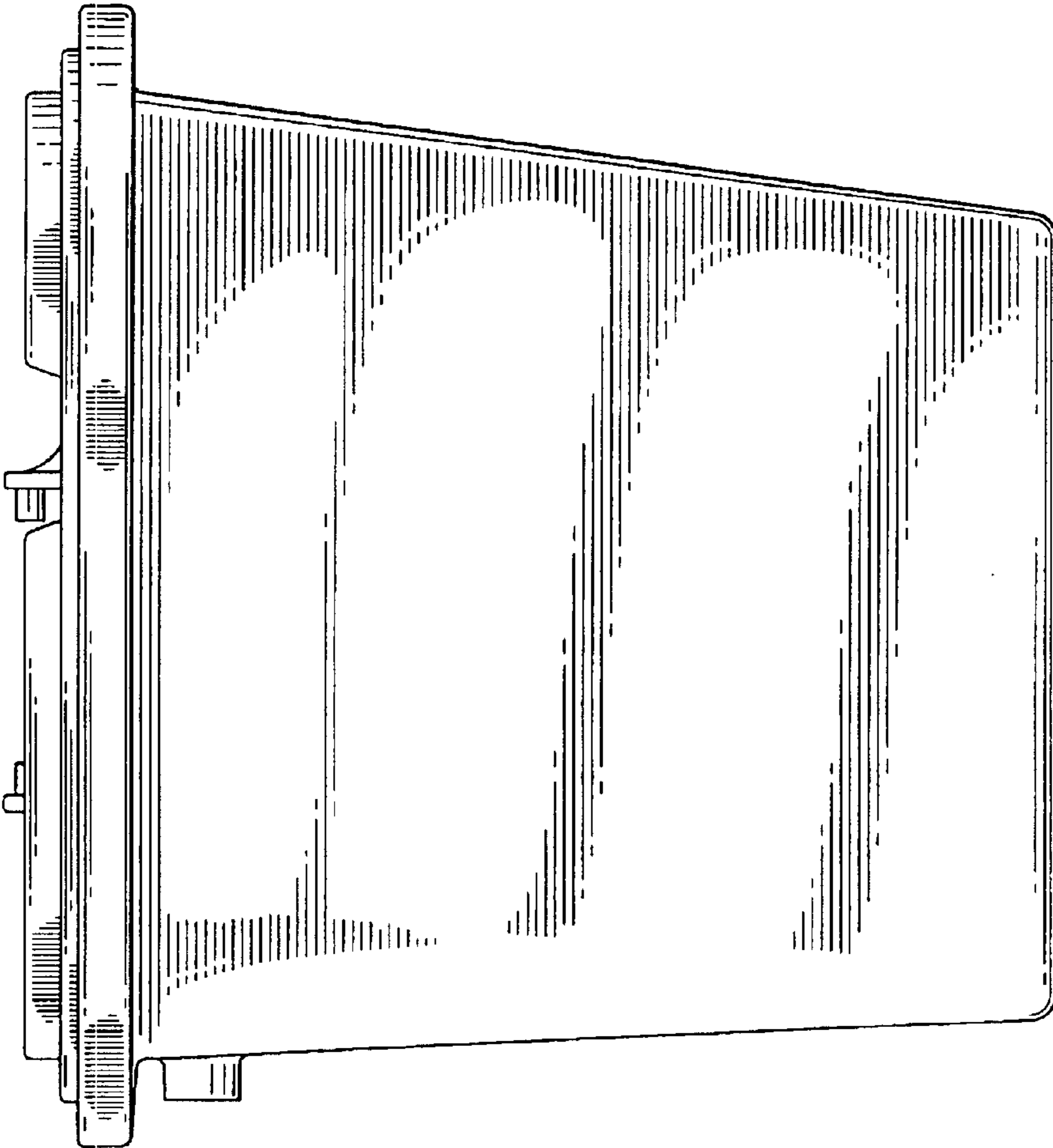


Fig. 6

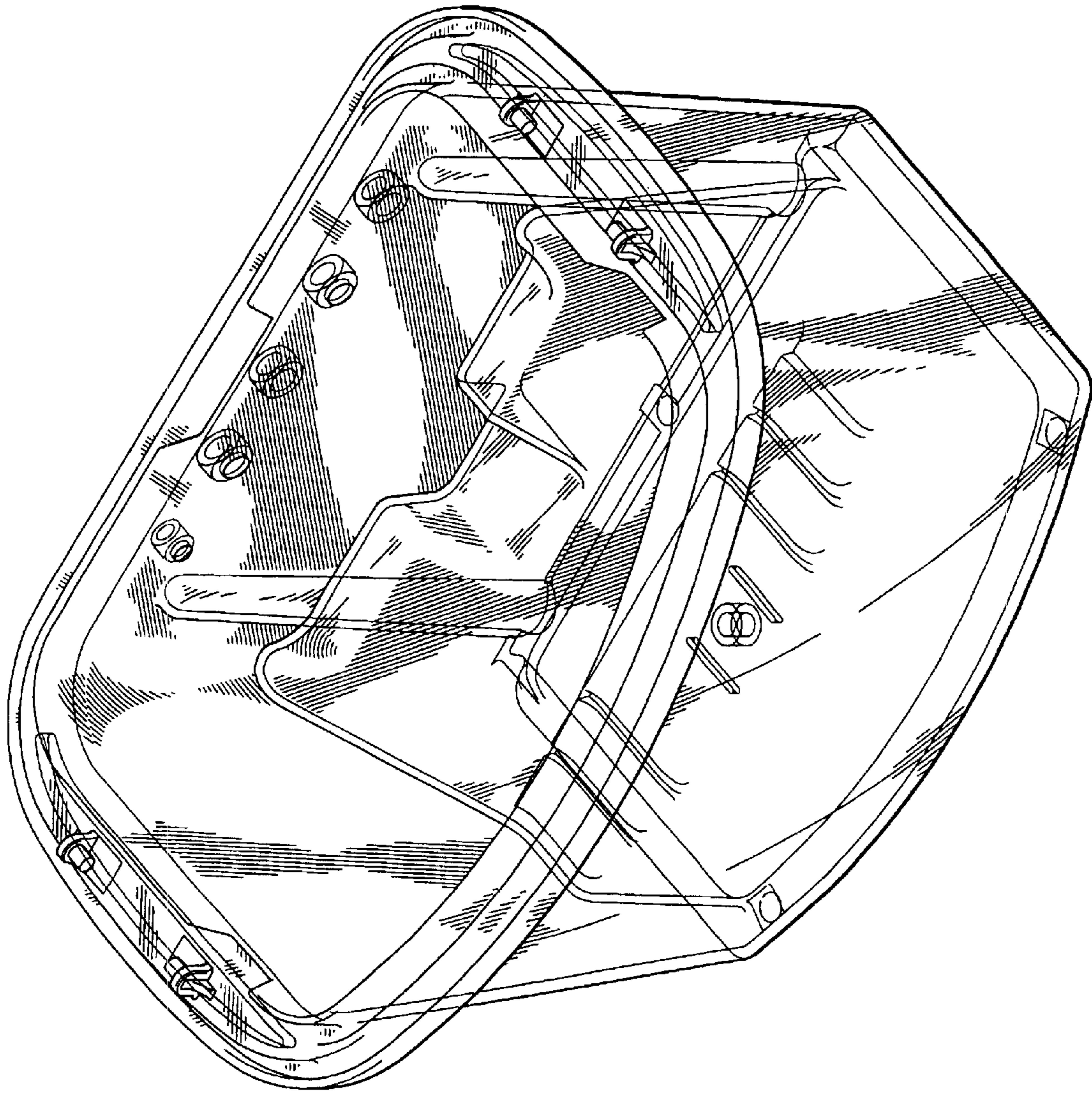


Fig. 7

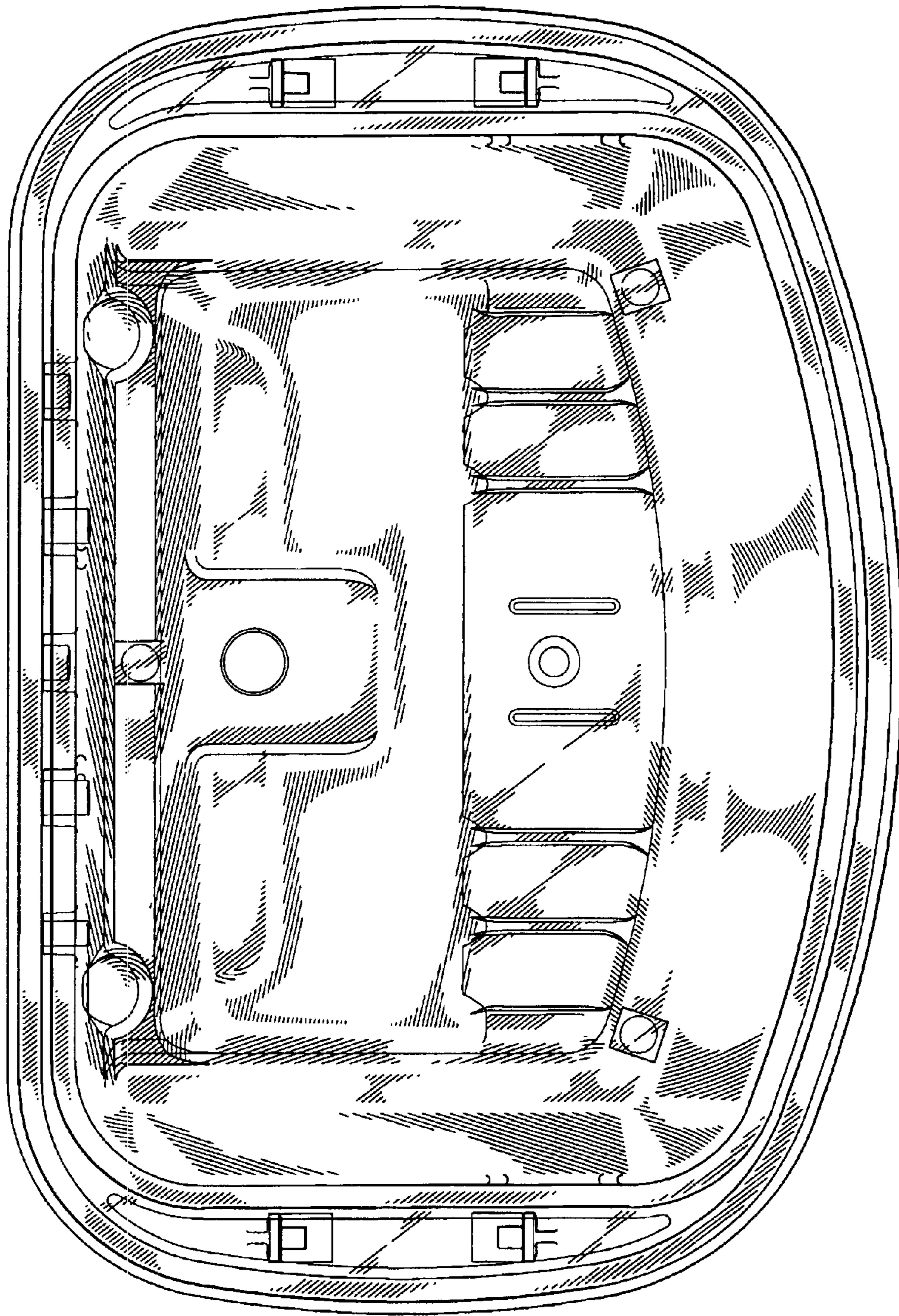


Fig. 8

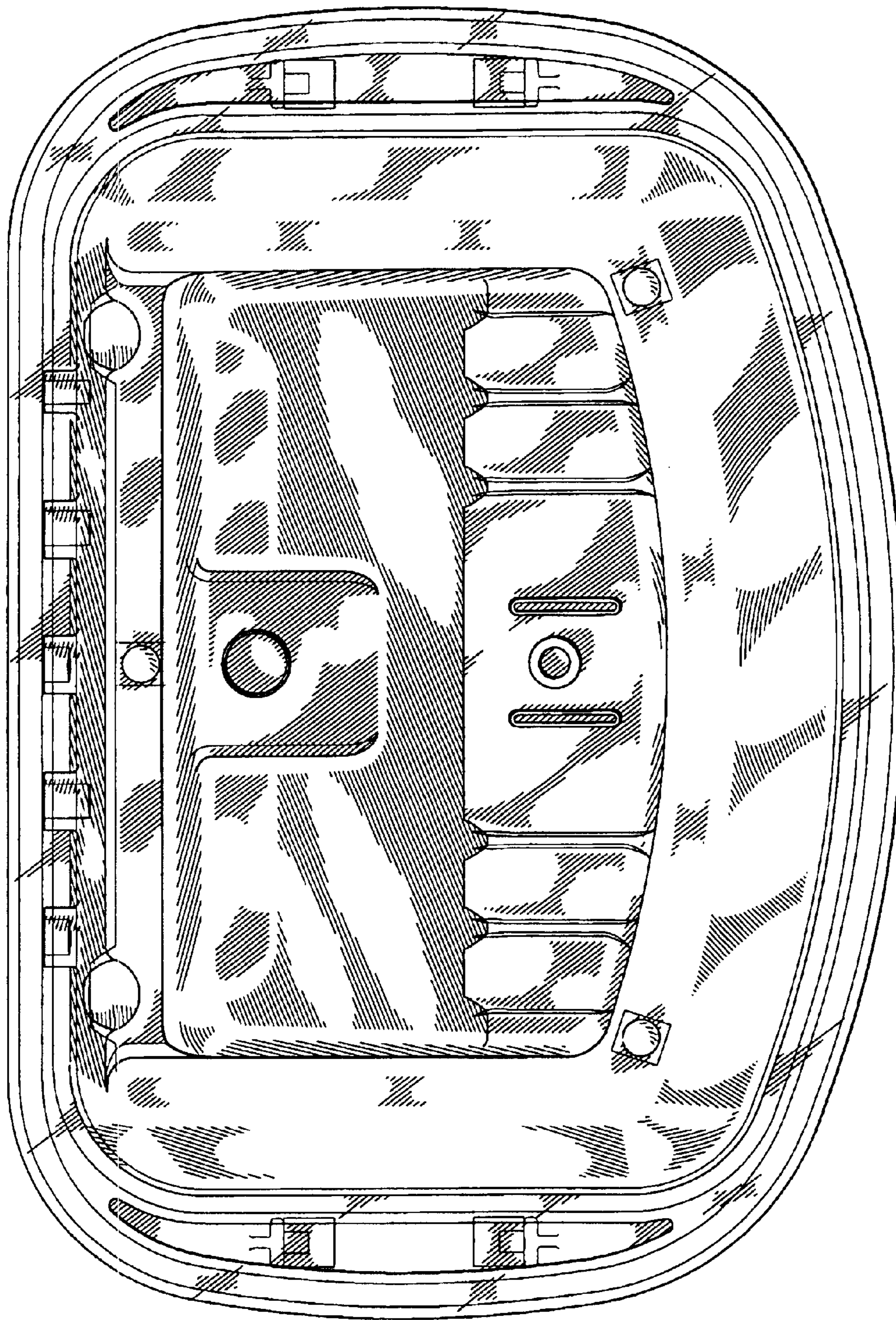


Fig. 9

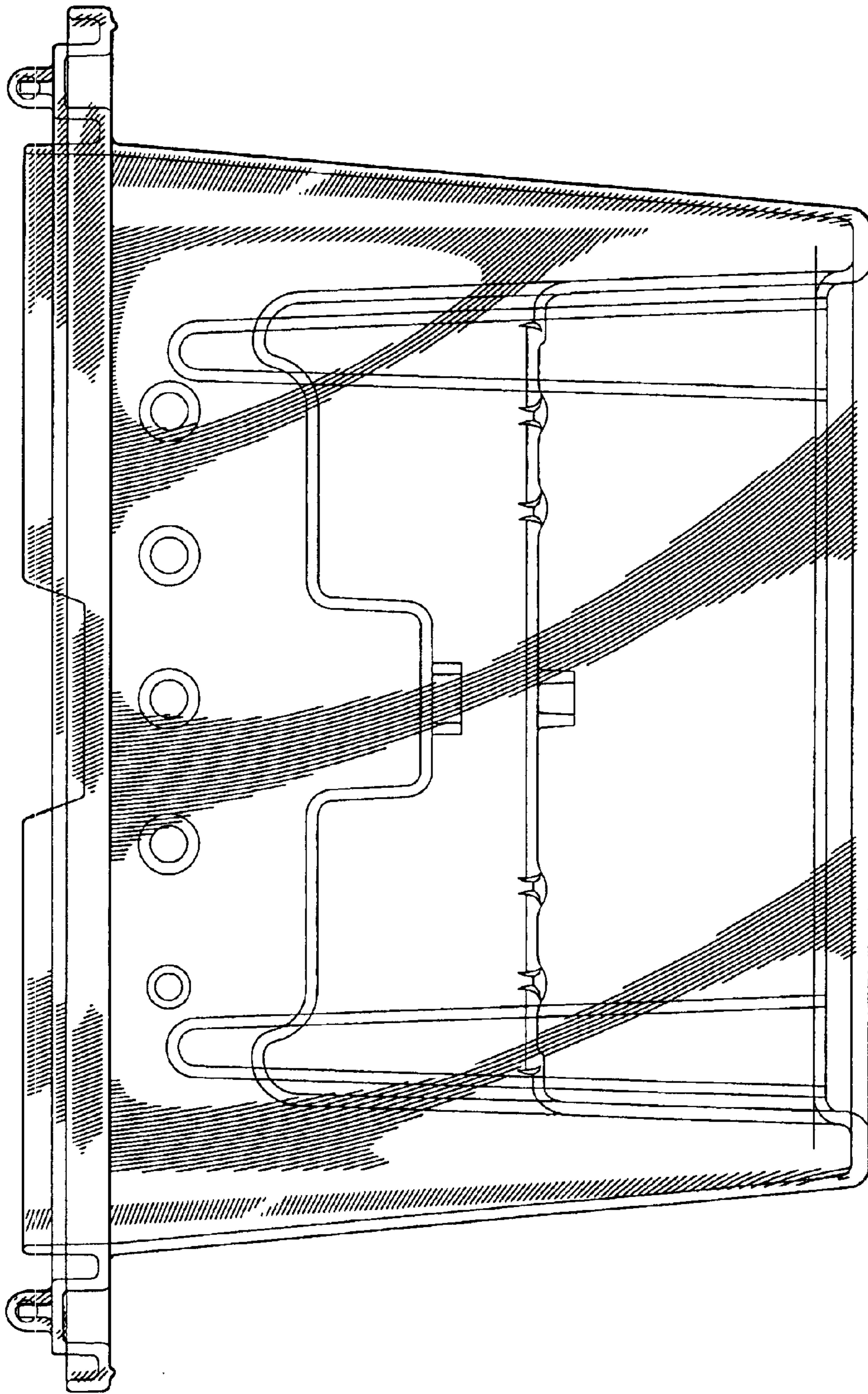


Fig. 10

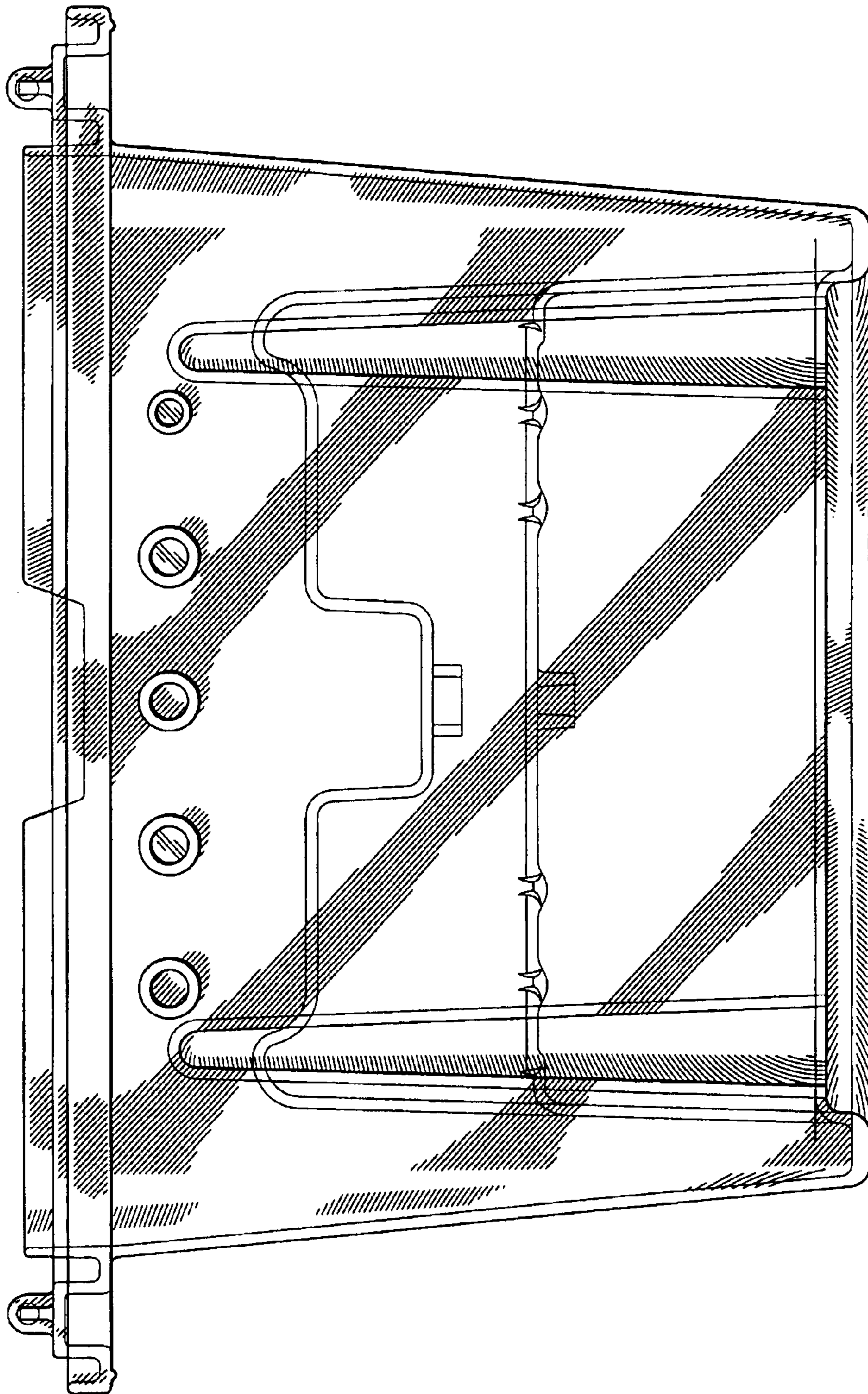


Fig. 11

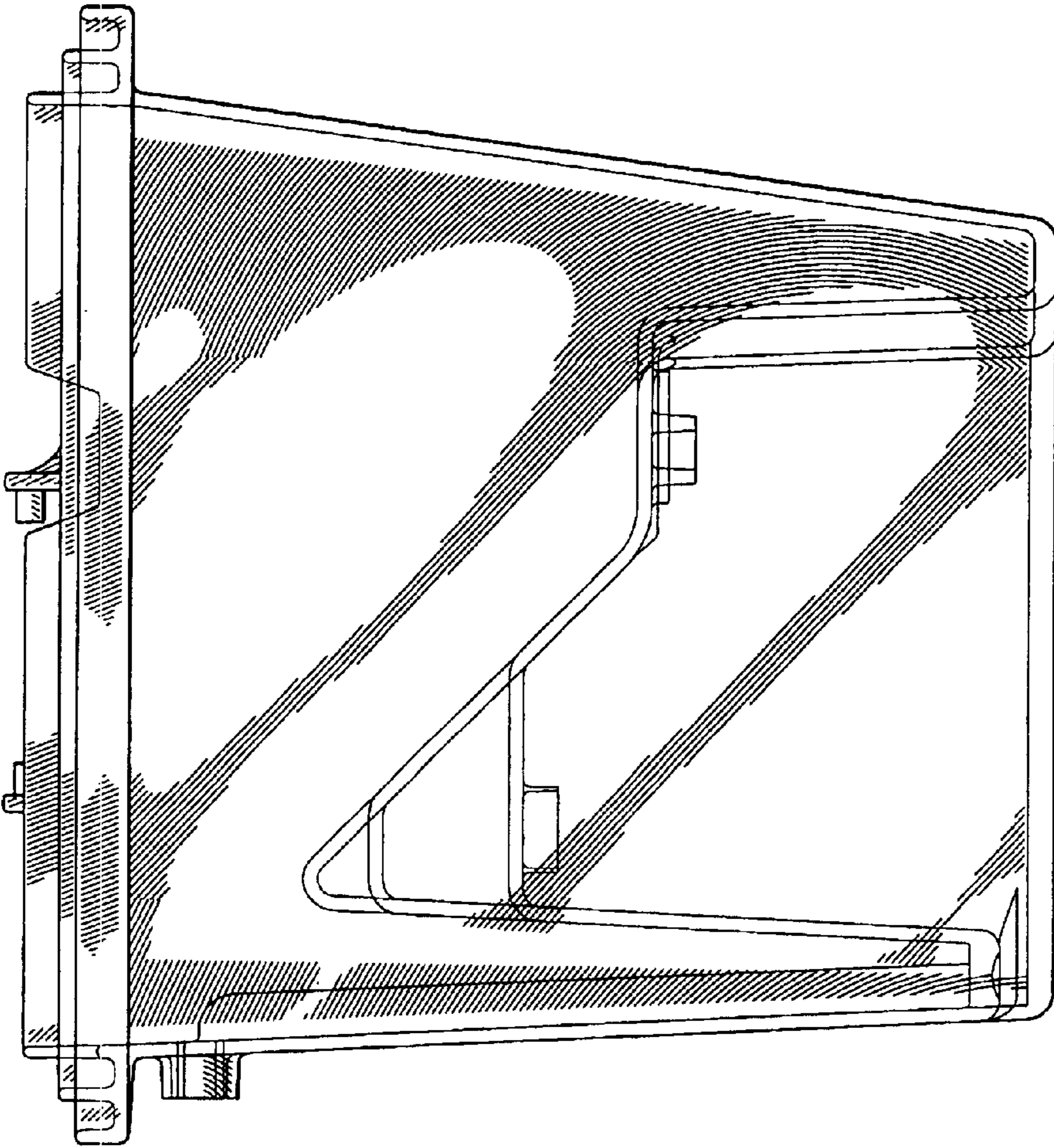


Fig. 12