



US00D531314S

(12) **United States Design Patent**
Atkinson et al.

(10) **Patent No.:** **US D531,314 S**
(45) **Date of Patent:** **** Oct. 31, 2006**

(54) **BITE BLOCK**

(75) Inventors: **Andrew Atkinson**, Oxford (GB);
Benjamin Wightman, Oxford (GB);
Paul Wightman, Oxford (GB); **Jane Shepherd**, Ruislip (GB)

(73) Assignee: **Owen Greenings & Mumford Limited**, Oxford (GB)

(**) Term: **14 Years**

(21) Appl. No.: **29/228,336**

(22) Filed: **Apr. 22, 2005**

(30) **Foreign Application Priority Data**

Oct. 23, 2004 (GB) 3019202

(51) **LOC (8) Cl.** **24-03**

(52) **U.S. Cl.** **D24/181**

(58) **Field of Classification Search** D24/156,
D24/152, 155, 176, 180, 181, 197; 249/124;
433/34, 54, 60, 61, 64, 74, 213; D29/108;
128/859

See application file for complete search history.

(56) **References Cited**

U.S. PATENT DOCUMENTS

D215,685 S * 10/1969 Helmer D29/108
D228,048 S * 8/1973 Miller D24/176
4,167,814 A 9/1979 Schubert

D277,605 S * 2/1985 Werrin D24/181
D323,397 S * 1/1992 Mann D24/181
D358,651 S * 5/1995 Fukuda et al. D24/181
D358,889 S * 5/1995 Wong D24/181
D383,845 S * 9/1997 Mitchell et al. D24/181
D403,771 S * 1/1999 Werrin D24/181
D433,138 S * 10/2000 Kesling D24/181
D434,501 S * 11/2000 Redhage D24/181
D452,011 S * 12/2001 Redhage D24/181
D456,515 S * 4/2002 Dinu D24/181
D495,799 S * 9/2004 Hirsch et al. D24/152

FOREIGN PATENT DOCUMENTS

GB 2 366 735 3/2002

* cited by examiner

Primary Examiner—Charles A. Rademaker

(74) *Attorney, Agent, or Firm*—Young & Thompson

(57) **CLAIM**

The ornamental design for a bite block, as shown.

DESCRIPTION

FIG. 1 is a top plan view of a bite block, showing our new design;

FIG. 2 is a view from one side thereof;

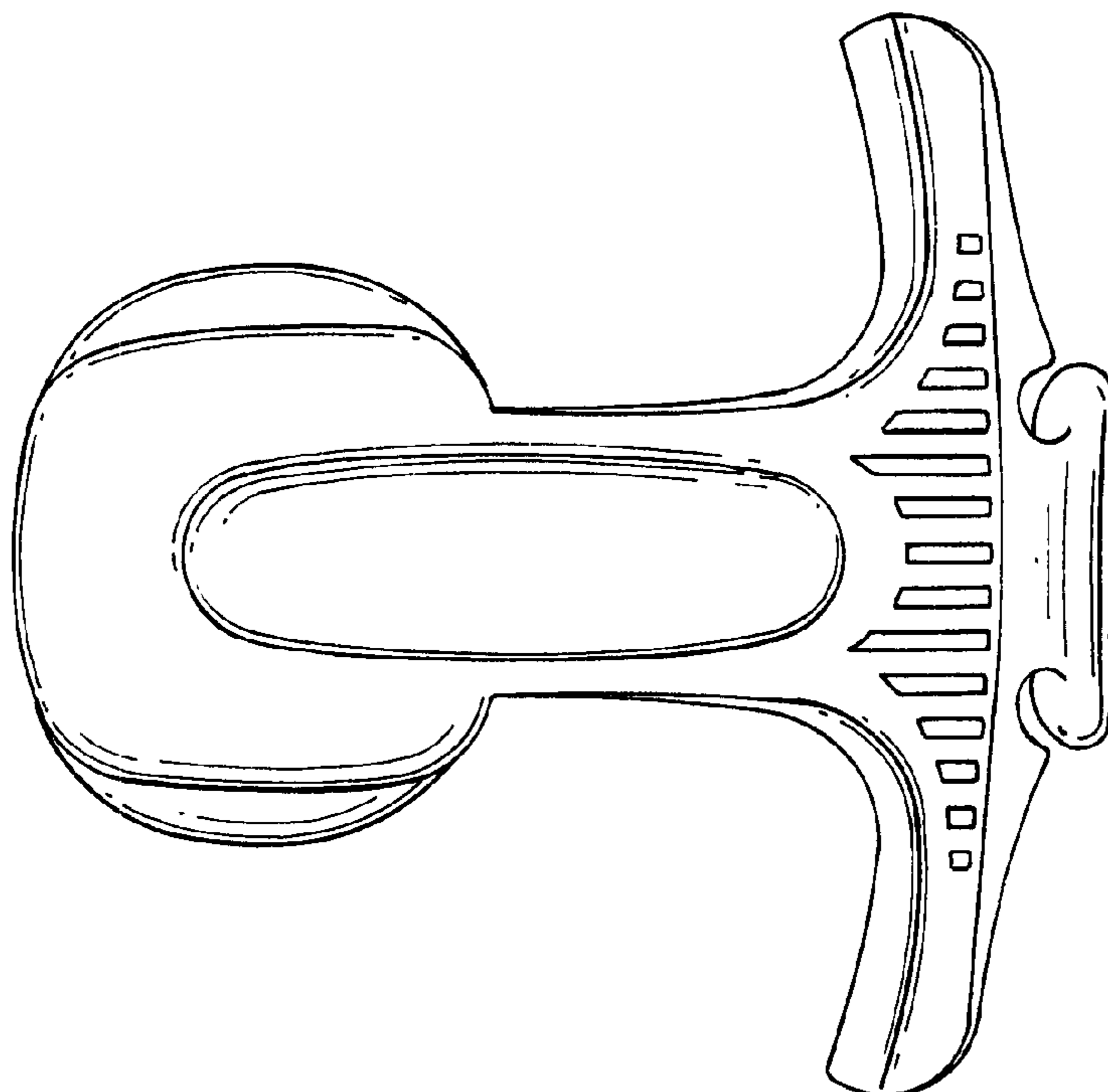
FIG. 3 is a bottom plan view thereof;

FIG. 4 is a view of the side opposite that shown in FIG. 2;

FIG. 5 is a rear elevation thereof; and,

FIG. 6 is a front elevation thereof.

1 Claim, 2 Drawing Sheets



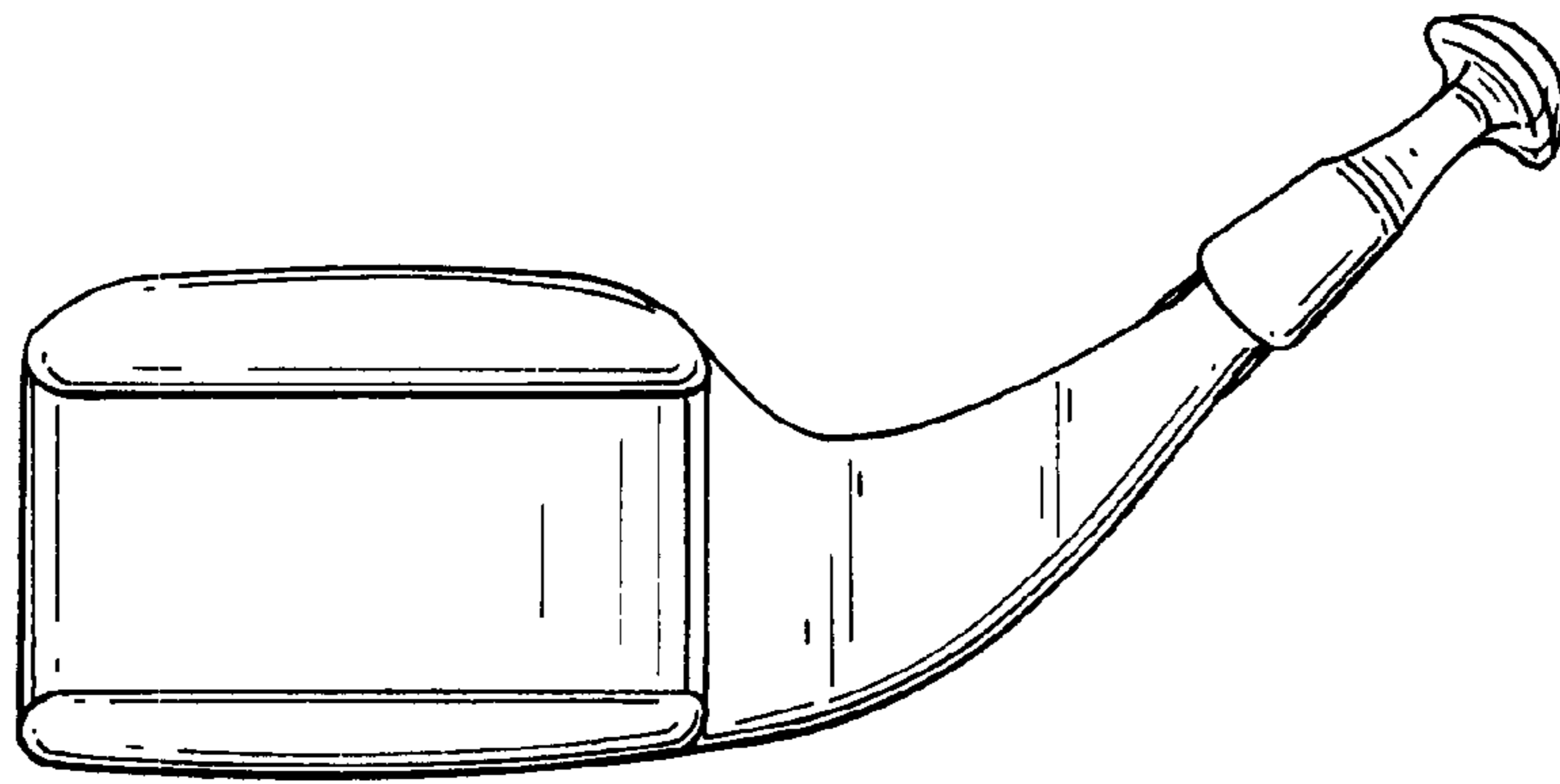


Fig. 1

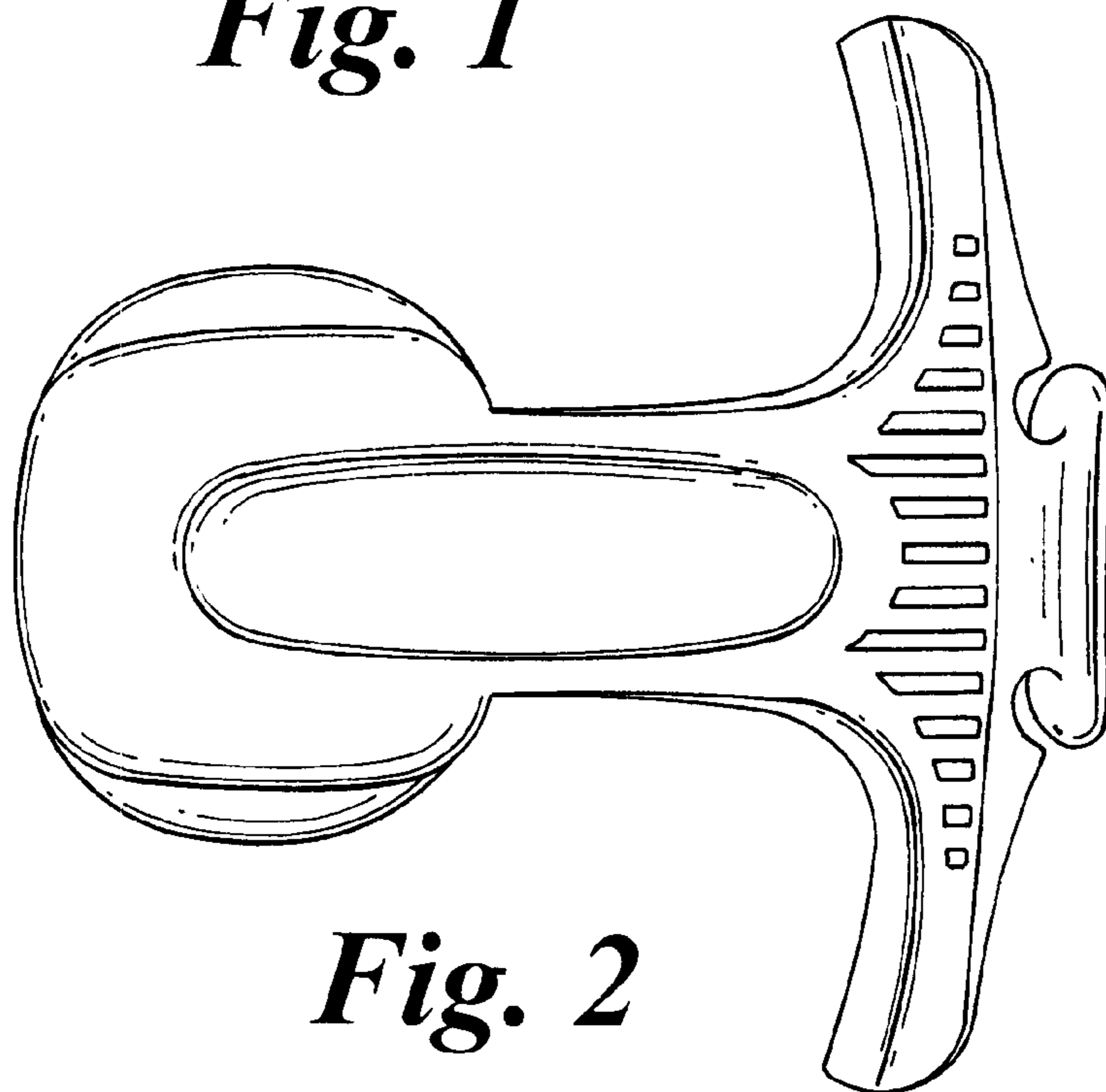


Fig. 2

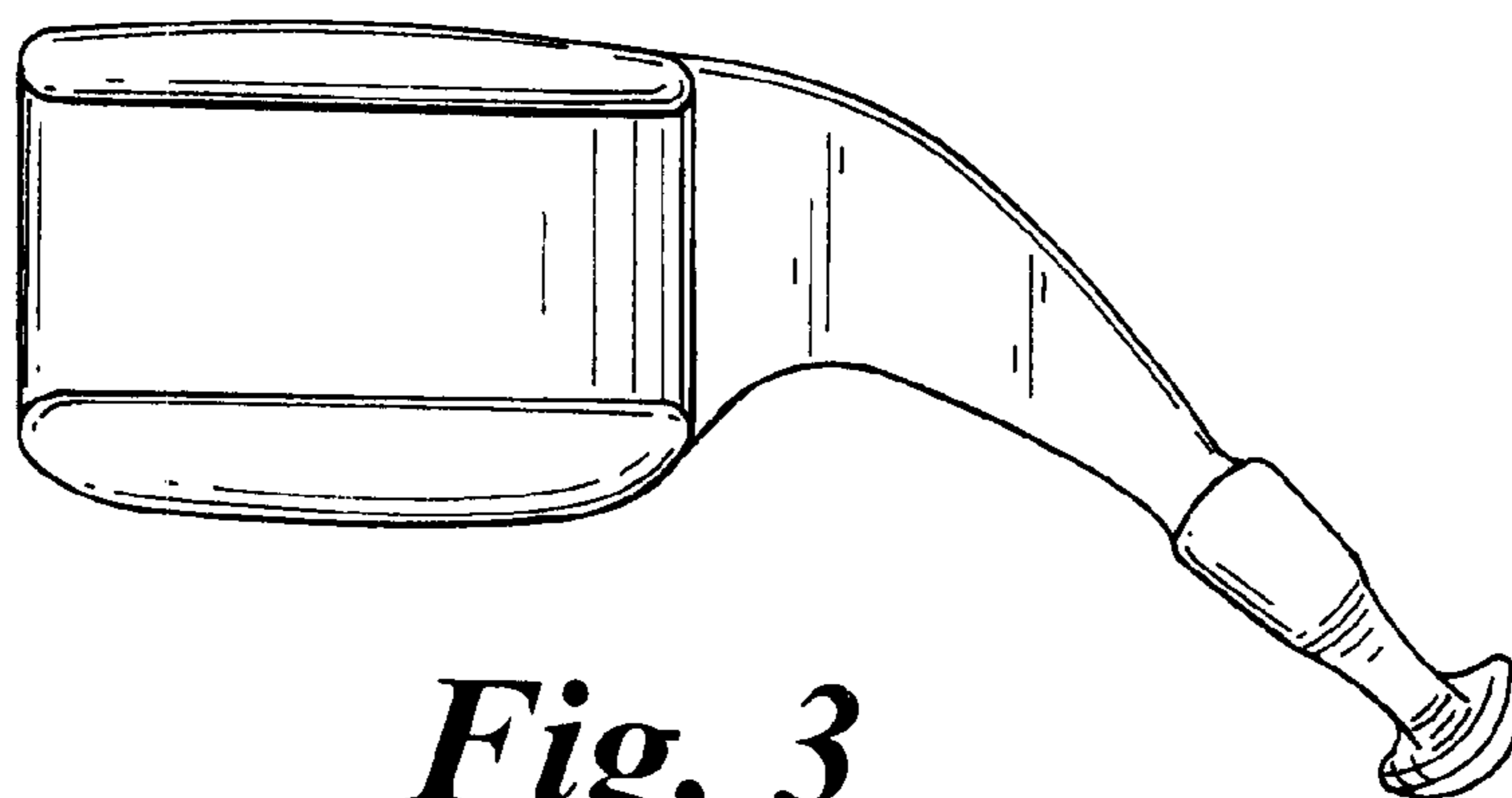


Fig. 3

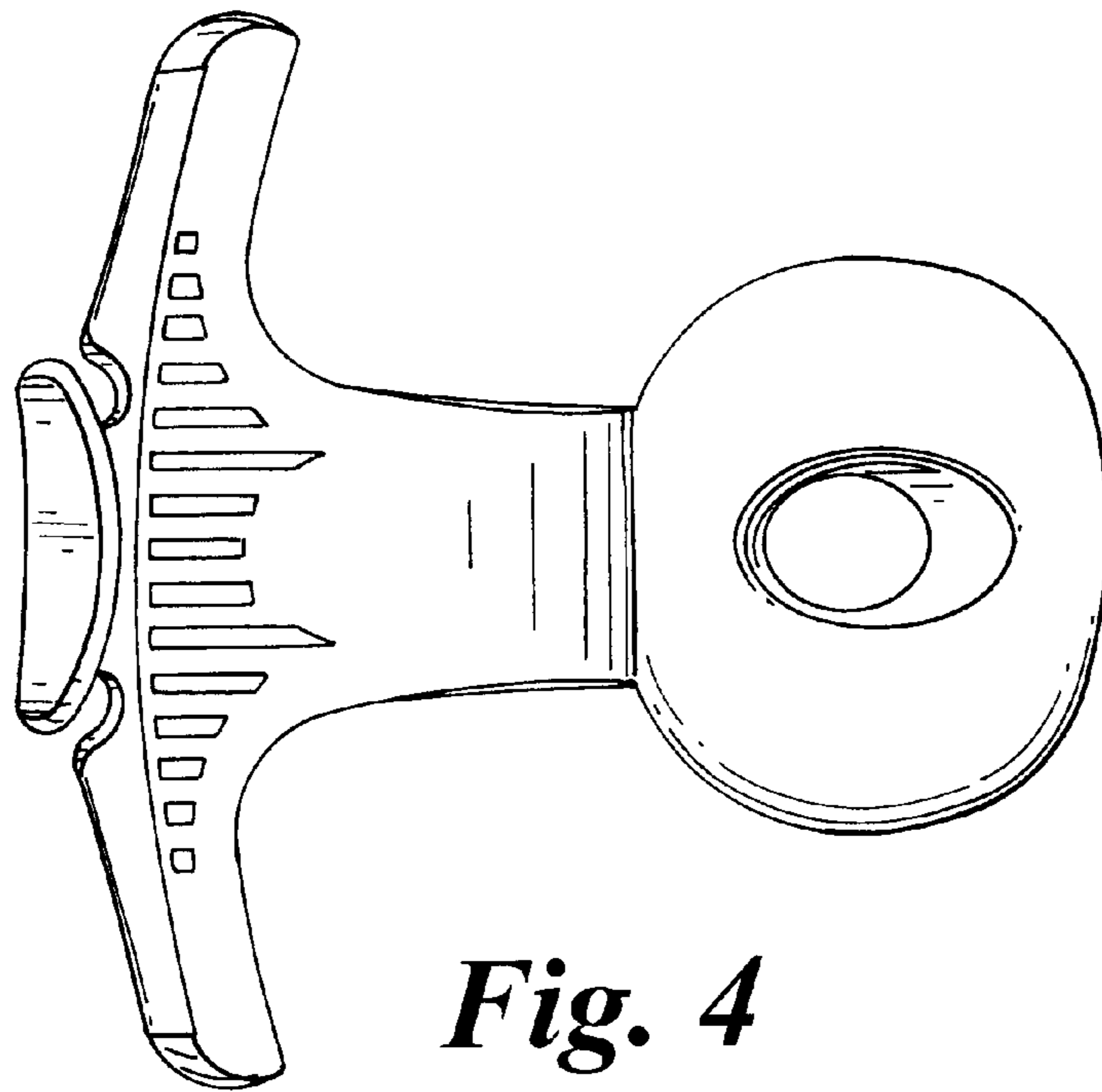


Fig. 4

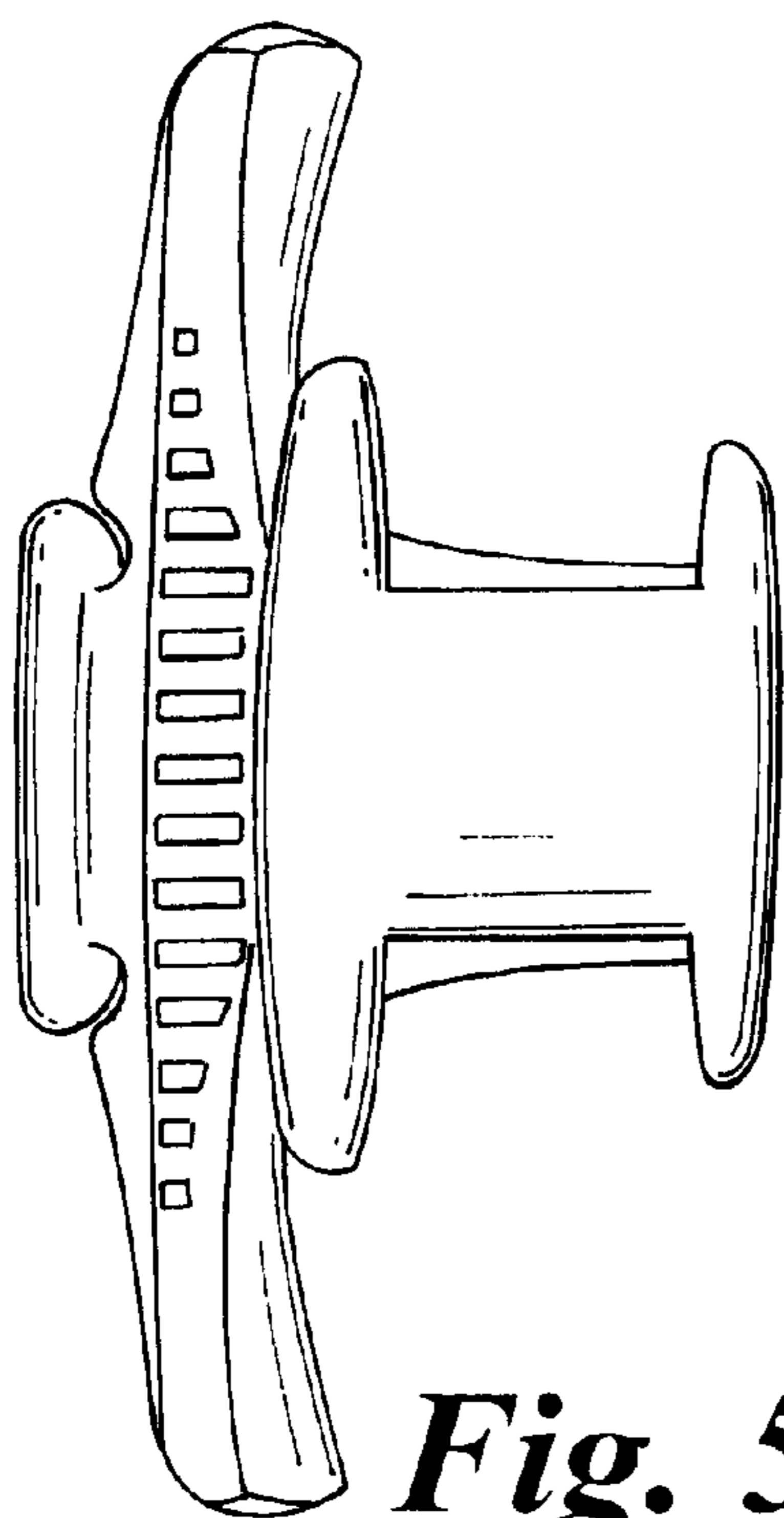


Fig. 5

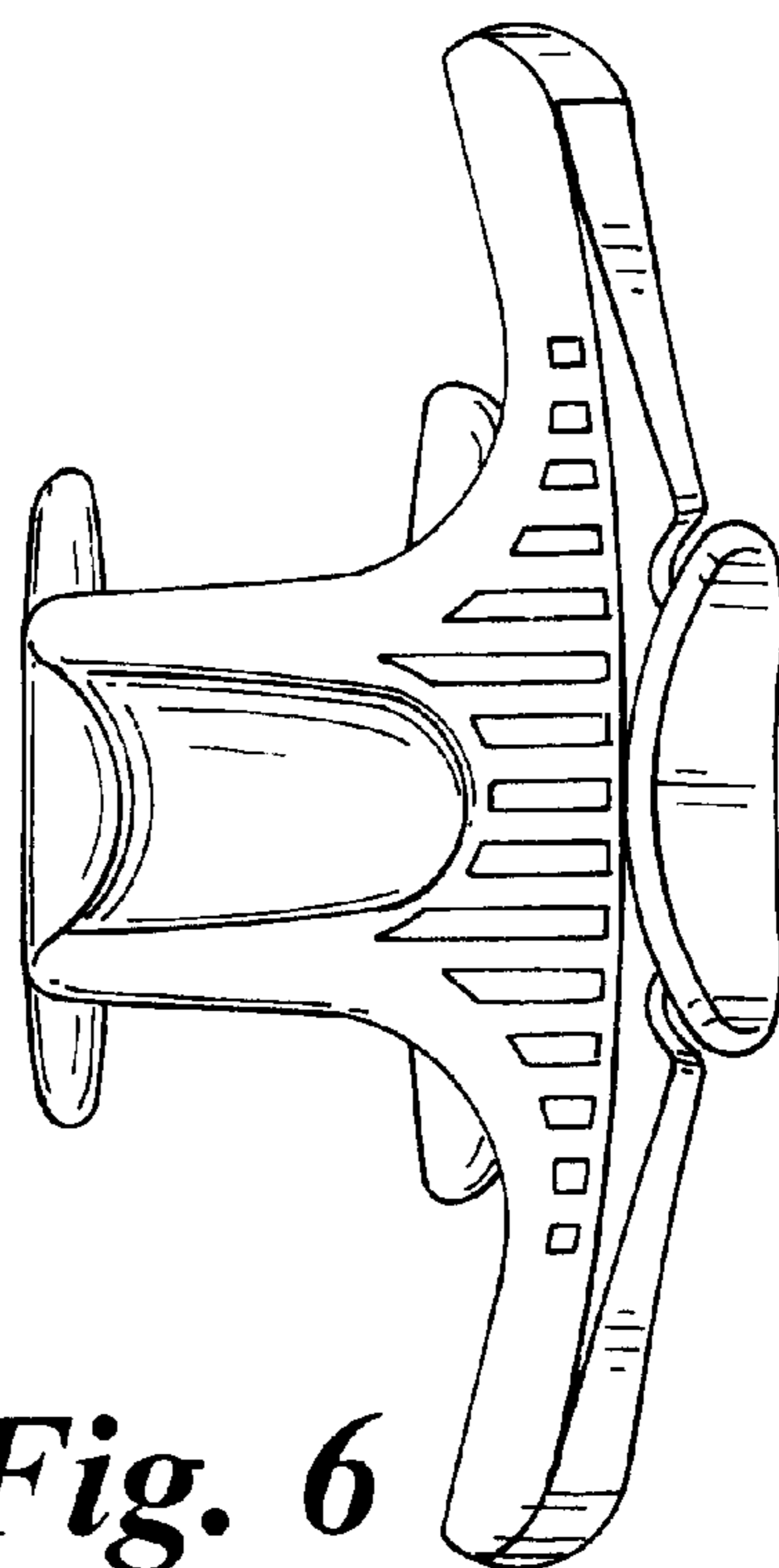


Fig. 6