



US00D531313S

(12) **United States Design Patent**  
**Ramsey, III**

(10) **Patent No.:** **US D531,313 S**

(45) **Date of Patent:** **\*\* Oct. 31, 2006**

(54) **SPHYGMOMANOMETER**

(76) Inventor: **Maynard Ramsey, III**, 903 Golfview St., Tampa, FL (US) 33629

(\*\*) Term: **14 Years**

(21) Appl. No.: **29/221,045**

(22) Filed: **Jan. 10, 2005**

(51) **LOC (8) Cl.** ..... **24-02**

(52) **U.S. Cl.** ..... **D24/165**

(58) **Field of Classification Search** ..... D24/165-166, D24/186; 600/502, 503, 499, 494, 490, 485, 600/500, 492, 480, 493, 495, 479; 128/900; D10/99, 85, 102

See application file for complete search history.

(56) **References Cited**

**U.S. PATENT DOCUMENTS**

D232,781 S	*	9/1974	Raczowski et al. ....	D24/166
D262,318 S	*	12/1981	Koshino .....	D24/165
4,320,767 A	*	3/1982	Villa-Real .....	600/493
D267,341 S	*	12/1982	Kern et al. ....	D24/165
D280,017 S	*	8/1985	Camens .....	D24/166
D286,070 S	*	10/1986	Moro .....	D24/166
D448,485 S	*	9/2001	Nalbandian et al. ....	D24/165
D450,125 S	*	11/2001	Dingler et al. ....	D24/165
D457,631 S	*	5/2002	Kingston et al. ....	D24/166

\* cited by examiner

*Primary Examiner*—Ian Simmons  
*Assistant Examiner*—Daniel Yu

(57) **CLAIM**

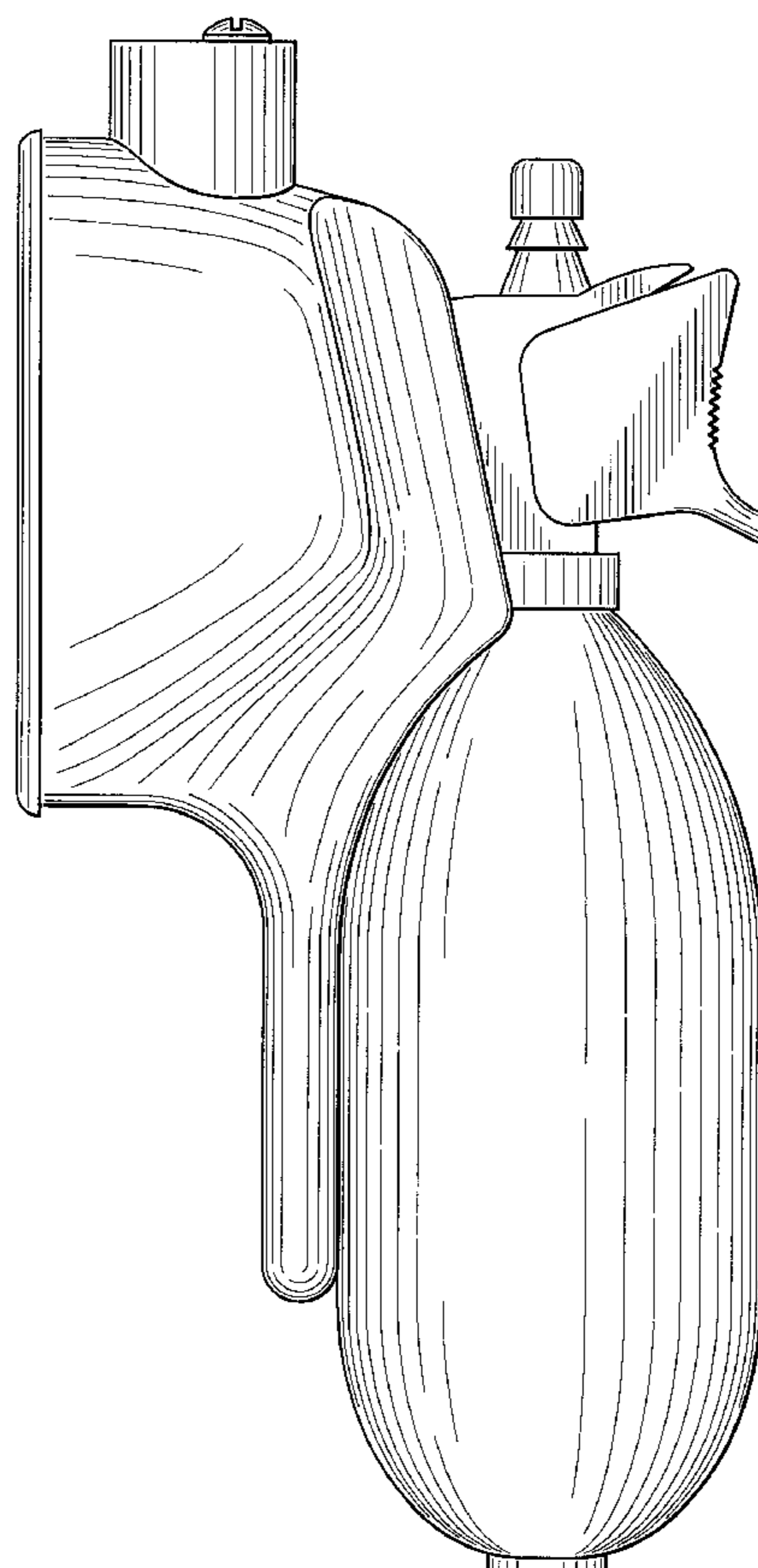
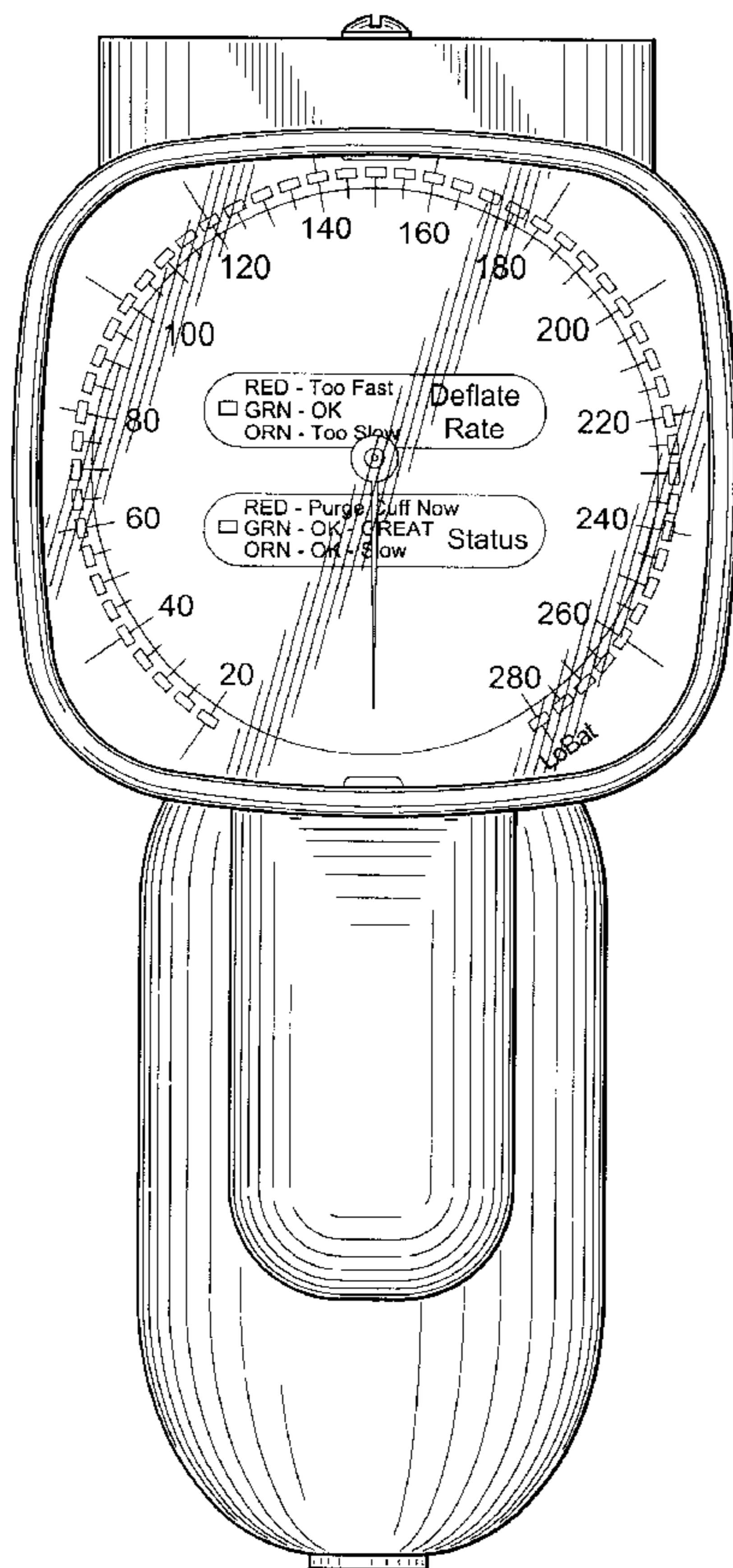
Ornamental design for an sphygmomanometer, as shown and described.

**DESCRIPTION**

The design is for use in measuring the blood pressure of a living subject. The sphygmomanometer is constructed in an attractively and functionally shaped enclosure and displays both the mechanical indication of cuff pressure and an electronic indication of cuff pressure and the blood pressure on the multiplicity of circumferentially placed light emitting diodes.

FIG. 1 is a front elevational view, showing my new design; FIG. 2 is a right side view thereof; FIG. 3 is a left side view thereof; FIG. 4 is a rear elevational view thereof; FIG. 5 is a top view thereof; and, FIG. 6 is a bottom view thereof; and, FIG. 7 is a front elevational view of a second embodiment, showing my new design. The right, left, rear, top, and bottom views of this version are identical to the views shown in FIG. 2-FIG. 6.

**1 Claim, 7 Drawing Sheets**



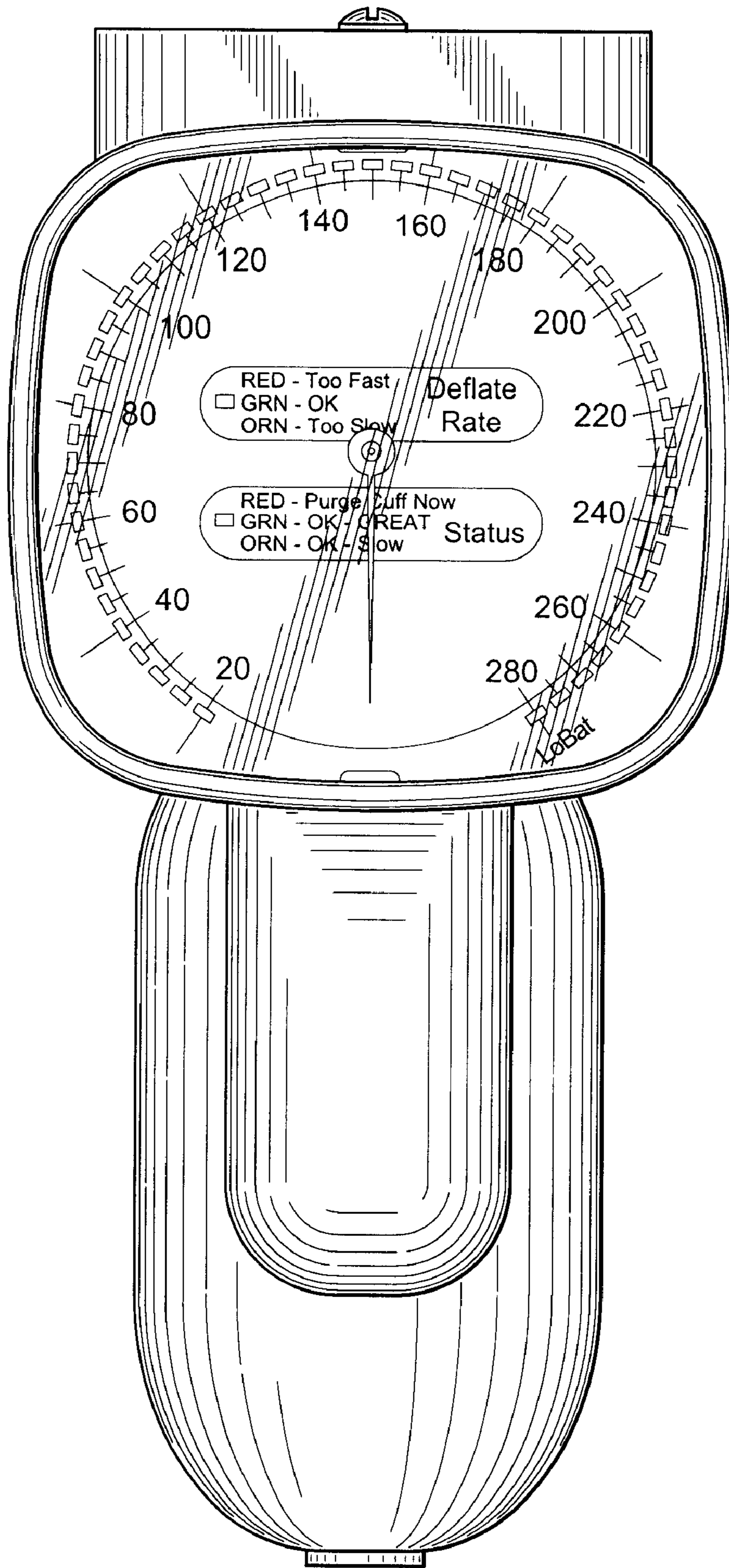


FIG. 1

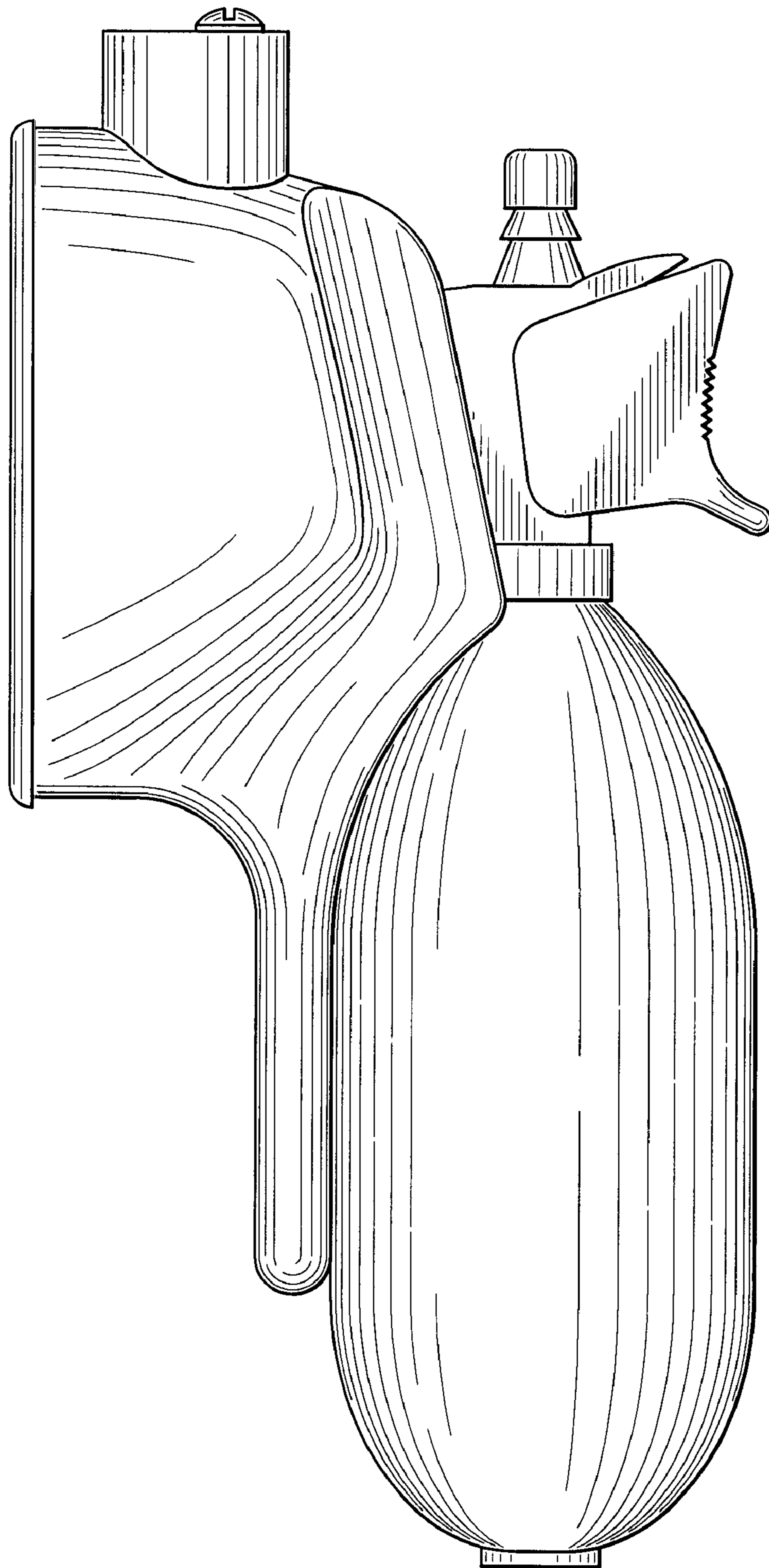


FIG. 2



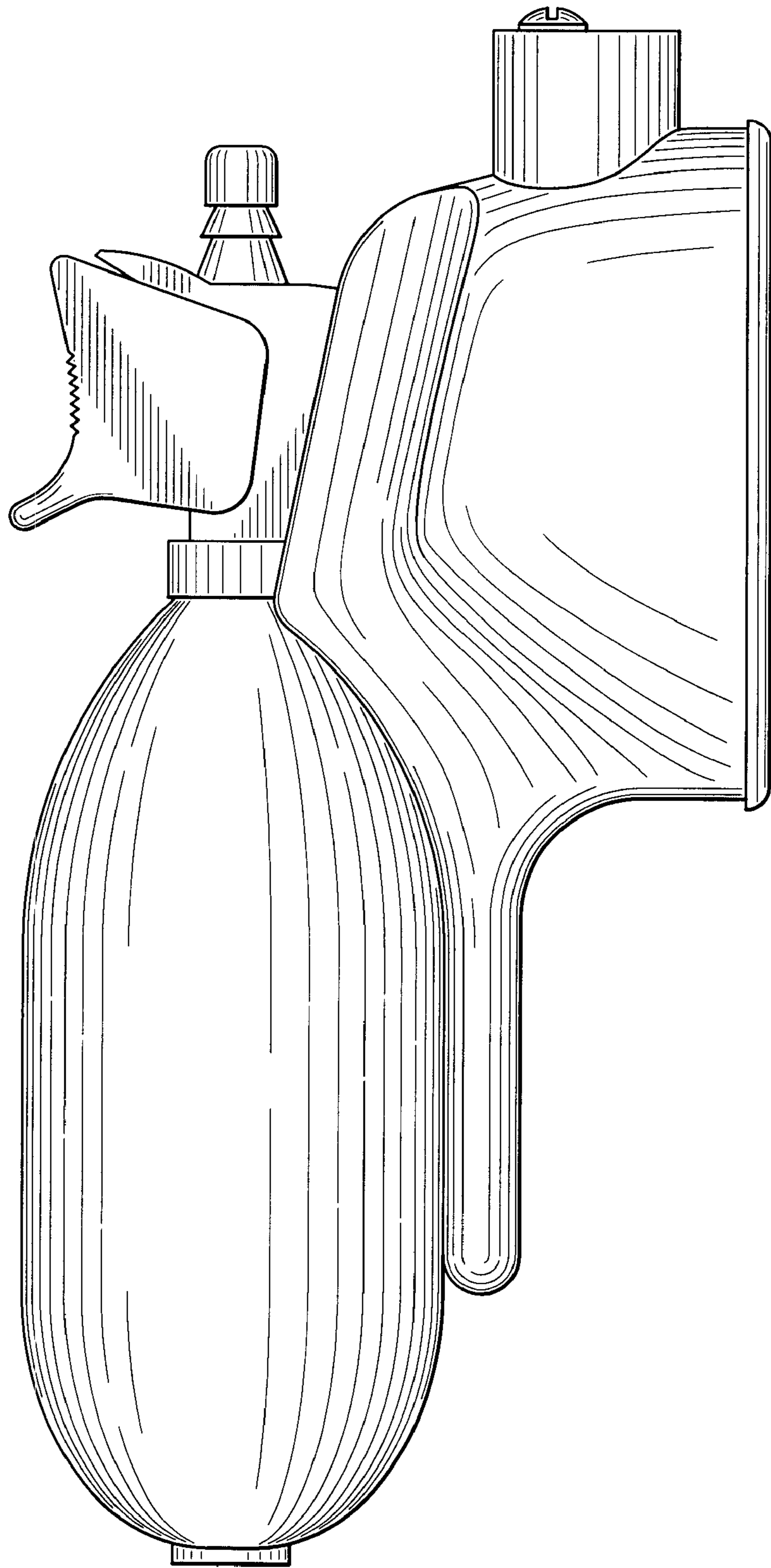


FIG. 3

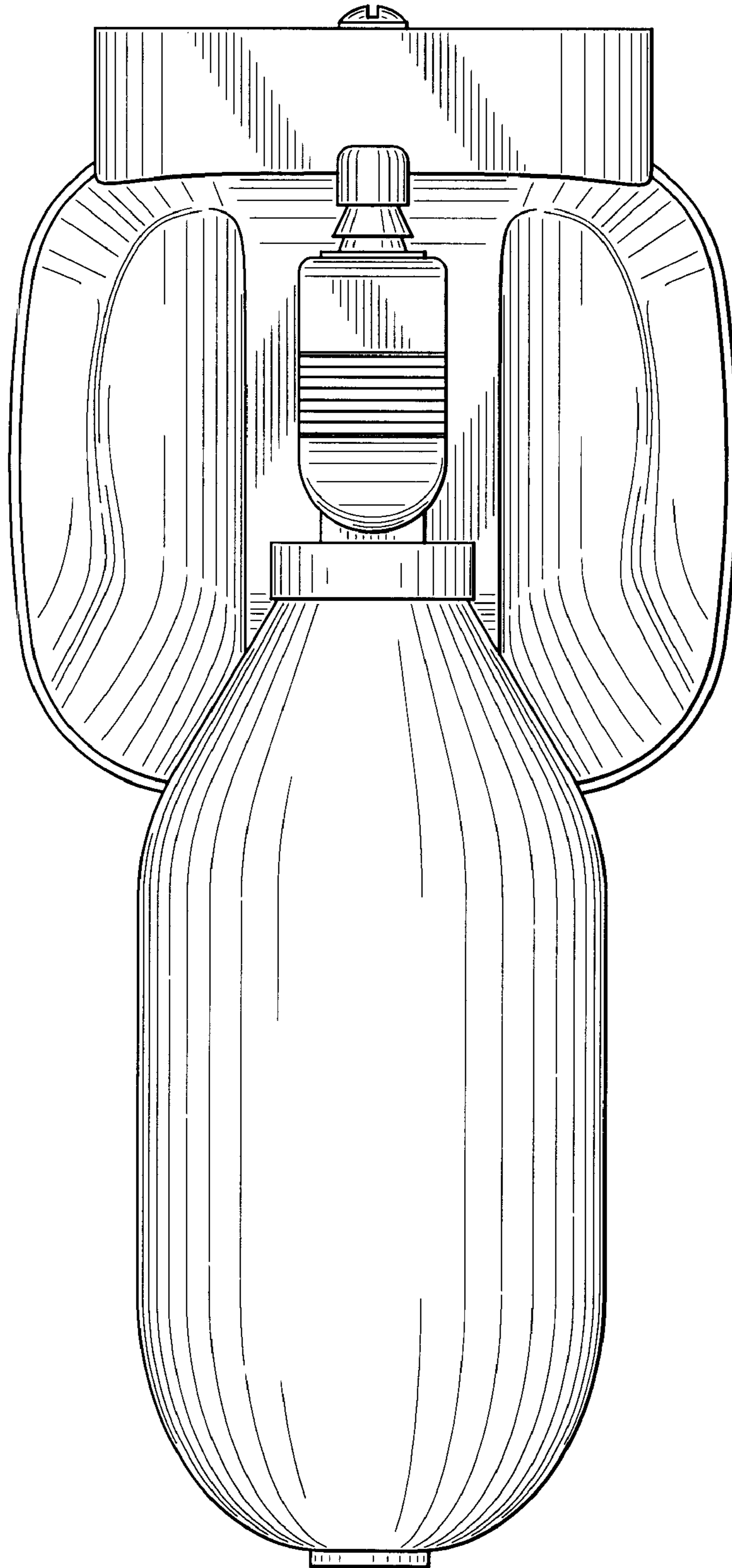


FIG. 4

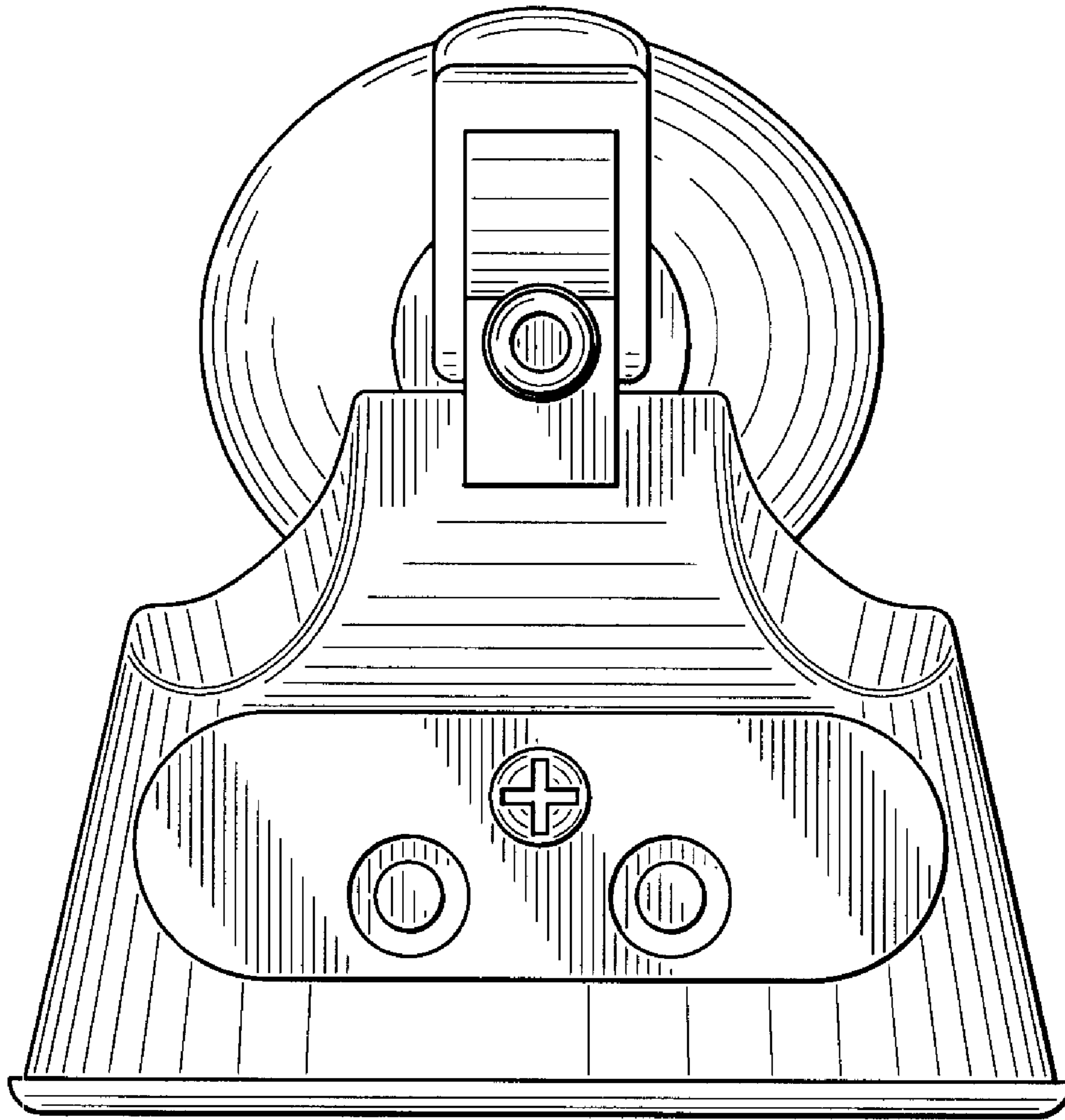


FIG. 5

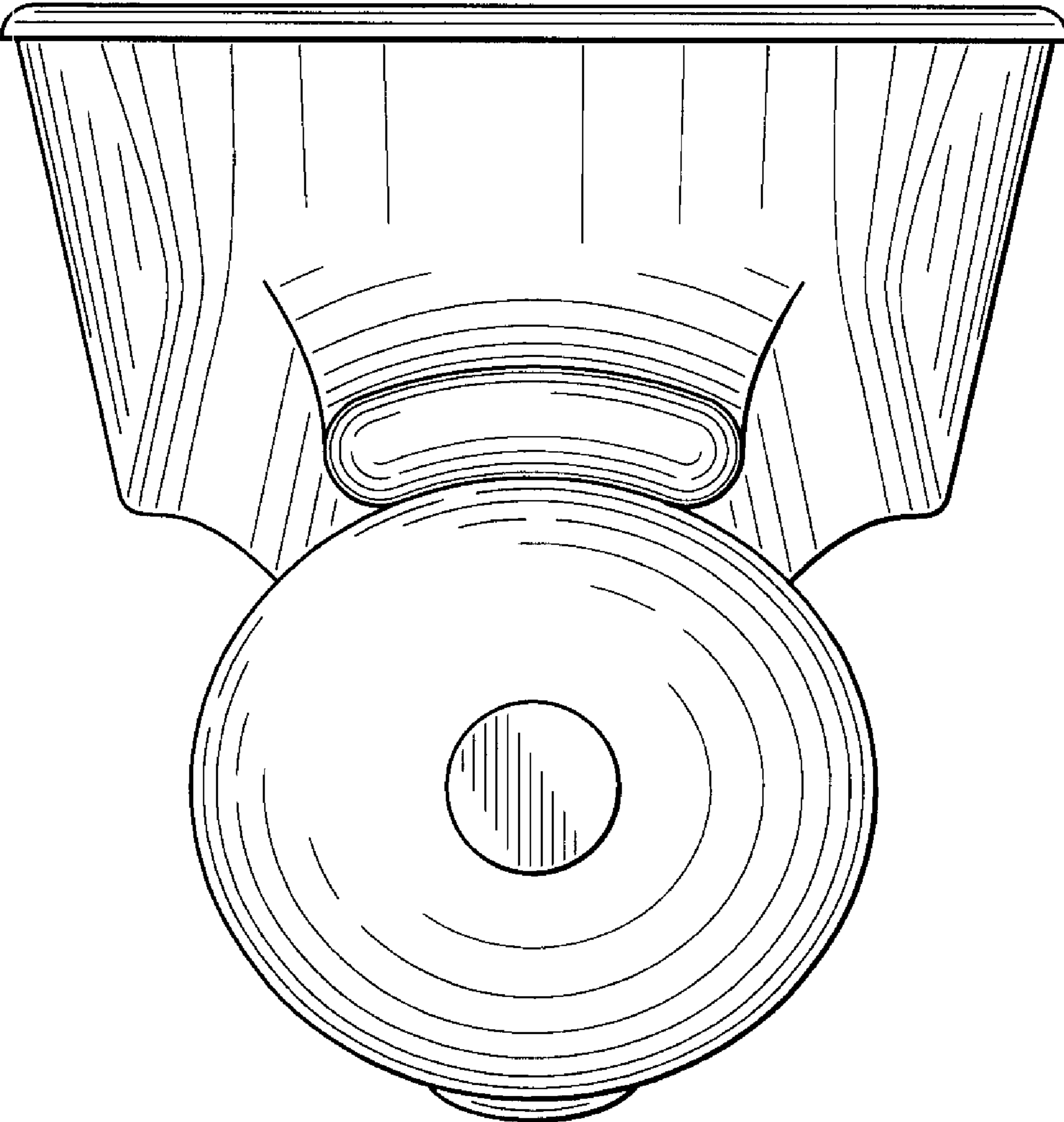


FIG. 6

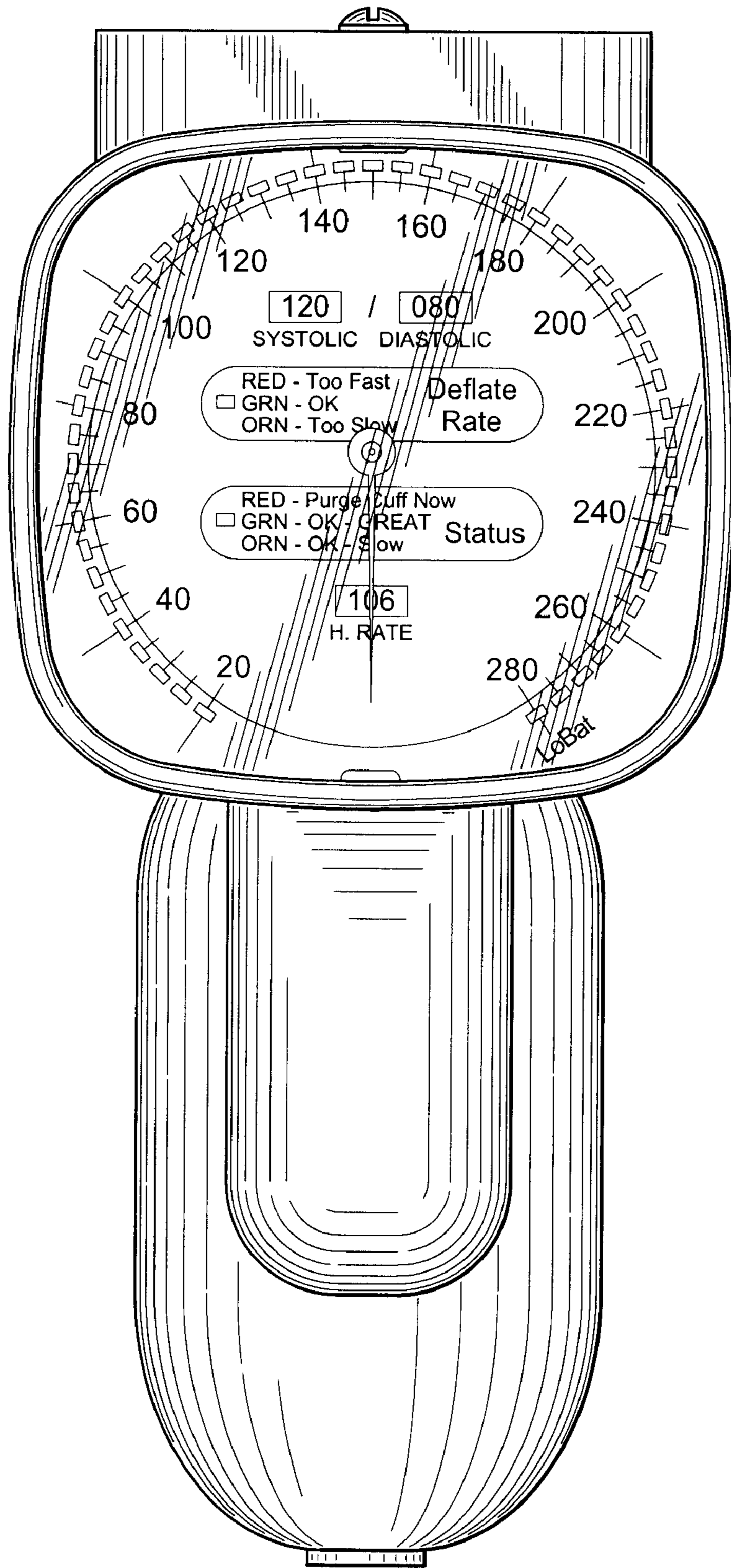


FIG. 7