



US00D531309S

(12) **United States Design Patent**
Bennett

(10) **Patent No.:** **US D531,309 S**

(45) **Date of Patent:** **** Oct. 31, 2006**

(54) **PORTION OF A SHARPS CONTAINER**

(75) Inventor: **W. Scott Bennett**, Strawberry Plains, TN (US)

(73) Assignee: **DeRoyal Industries, Inc.**, Powell, TN (US)

(**) Term: **14 Years**

(21) Appl. No.: **29/217,587**

(22) Filed: **Nov. 19, 2004**

(51) **LOC (8) Cl.** **24-01**

(52) **U.S. Cl.** **D24/131; D34/1; D7/602**

(58) **Field of Classification Search** D24/131,
D24/111; D34/1; 206/210; 604/363-370;
D7/602, 629, 612-615

See application file for complete search history.

(56) **References Cited**

U.S. PATENT DOCUMENTS

D287,897 S	1/1987	Hanifl	
4,657,139 A	4/1987	Hanifl	
4,779,728 A	10/1988	Hanifl et al.	
D304,109 S	10/1989	Hanifl	
D304,493 S	11/1989	Bemis	
D306,509 S	3/1990	Hanifl et al.	
D310,903 S	9/1990	Anderson	
5,080,251 A	1/1992	Noack	
D352,425 S	* 11/1994	Daenen et al.	D7/602
5,387,735 A	2/1995	Ponsi et al.	
5,507,408 A	4/1996	Mosior et al.	
D375,873 S	* 11/1996	Ahern et al.	D7/602
D376,456 S	* 12/1996	Presnell et al.	D34/1
5,611,451 A	3/1997	Mosior et al.	
D418,720 S	* 1/2000	Lillelund et al.	D7/602
6,024,217 A	2/2000	Ponsi et al.	
D485,134 S	* 1/2004	Ross	D7/629
D521,203 S	* 5/2006	Sofy et al.	D34/1

* cited by examiner

Primary Examiner—Ian Simmons

Assistant Examiner—Daniel Yu

(74) *Attorney, Agent, or Firm*—Luedeka, Neely & Graham, PC

(57) **CLAIM**

The ornamental design for a portion of a sharps container, as shown and described.

DESCRIPTION

FIG. 1 is a front perspective view of a portion of a sharps container of my new design;

FIG. 2 is a left side view of the portion of a sharps container of FIG. 1;

FIG. 3 is a right side view of the portion of a sharps container of FIG. 1;

FIG. 4 is a front end view of the portion of a sharps container of FIG. 1;

FIG. 5 is a rear end view of the portion of a sharps container of FIG. 1;

FIG. 6 is a bottom plan view of the portion of a sharps container of FIG. 1;

FIG. 7 is a top plan view of the portion of a sharps container of FIG. 1;

FIG. 8 is a front perspective view of an alternate embodiment of a portion of a sharps container of my new design;

FIG. 9 is a left side view of the portion of a sharps container of FIG. 8;

FIG. 10 is a right side view of the portion of a sharps container of FIG. 8;

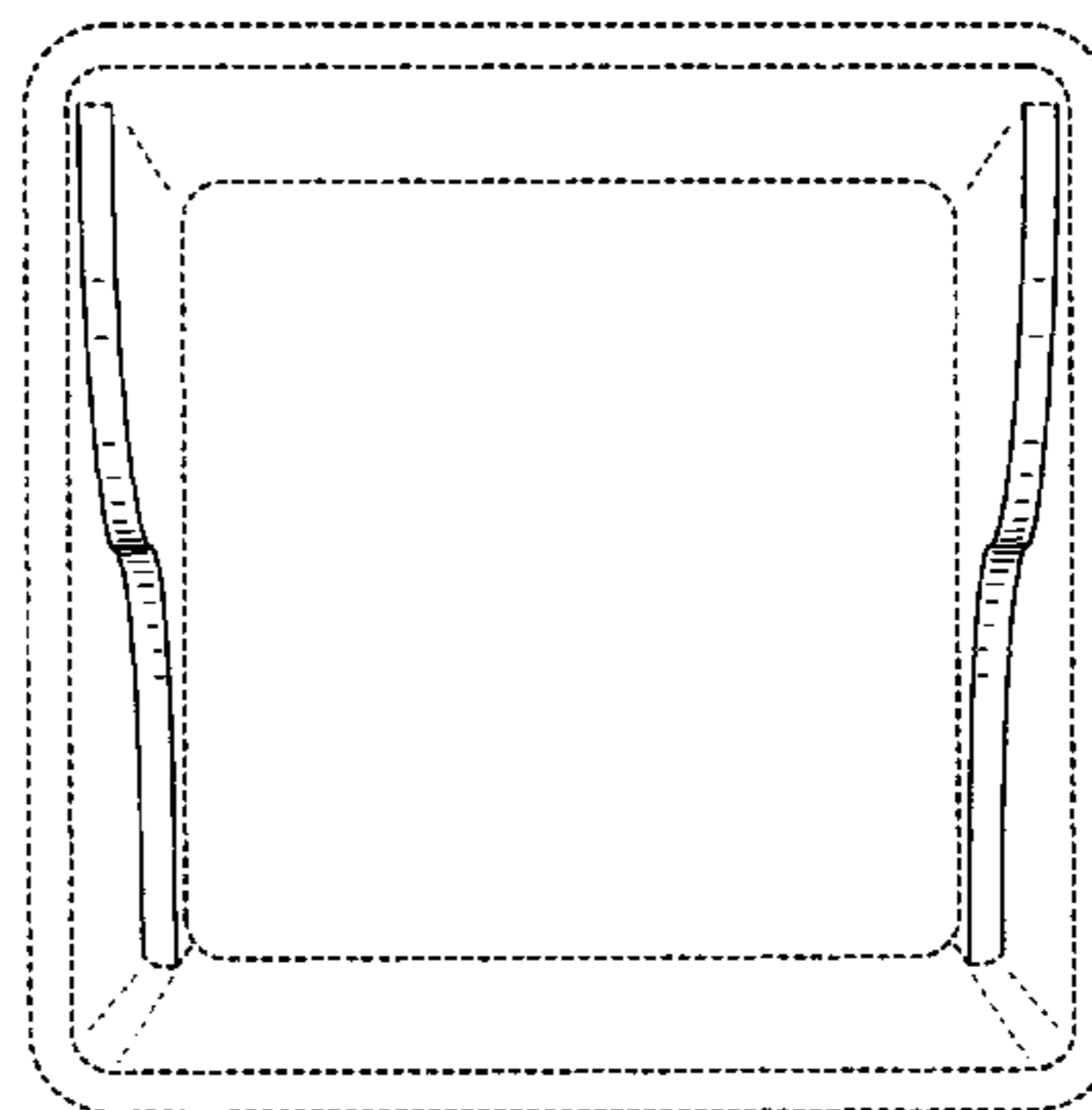
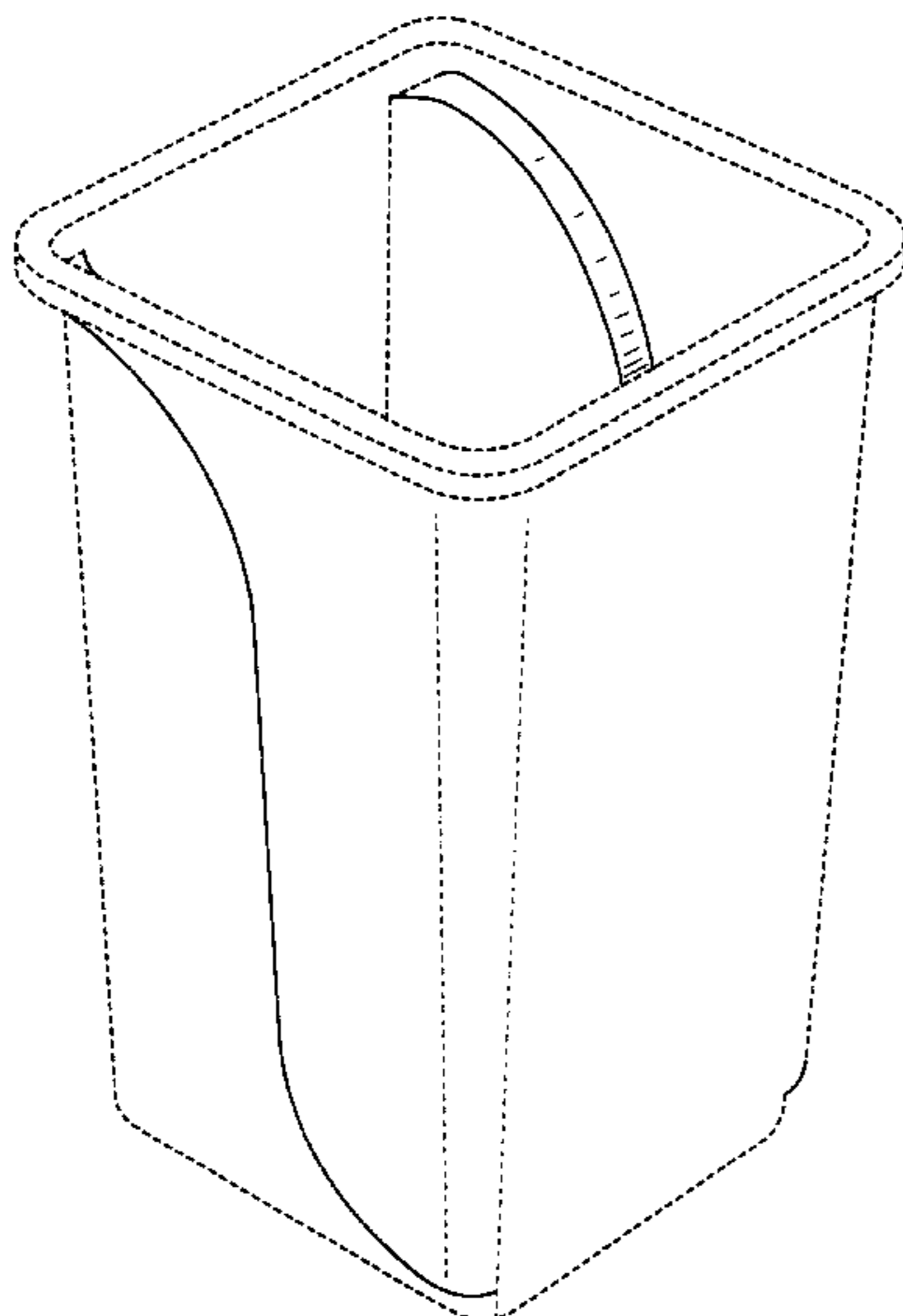
FIG. 11 is a front end view of the portion of a sharps container of FIG. 8;

FIG. 12 is a rear end view of the portion of a sharps container of FIG. 8;

FIG. 13 is a bottom plan view of the portion of a sharps container of FIG. 8; and,

FIG. 14 is a top plan view of the portion of a sharps container of FIG. 8.

1 Claim, 14 Drawing Sheets



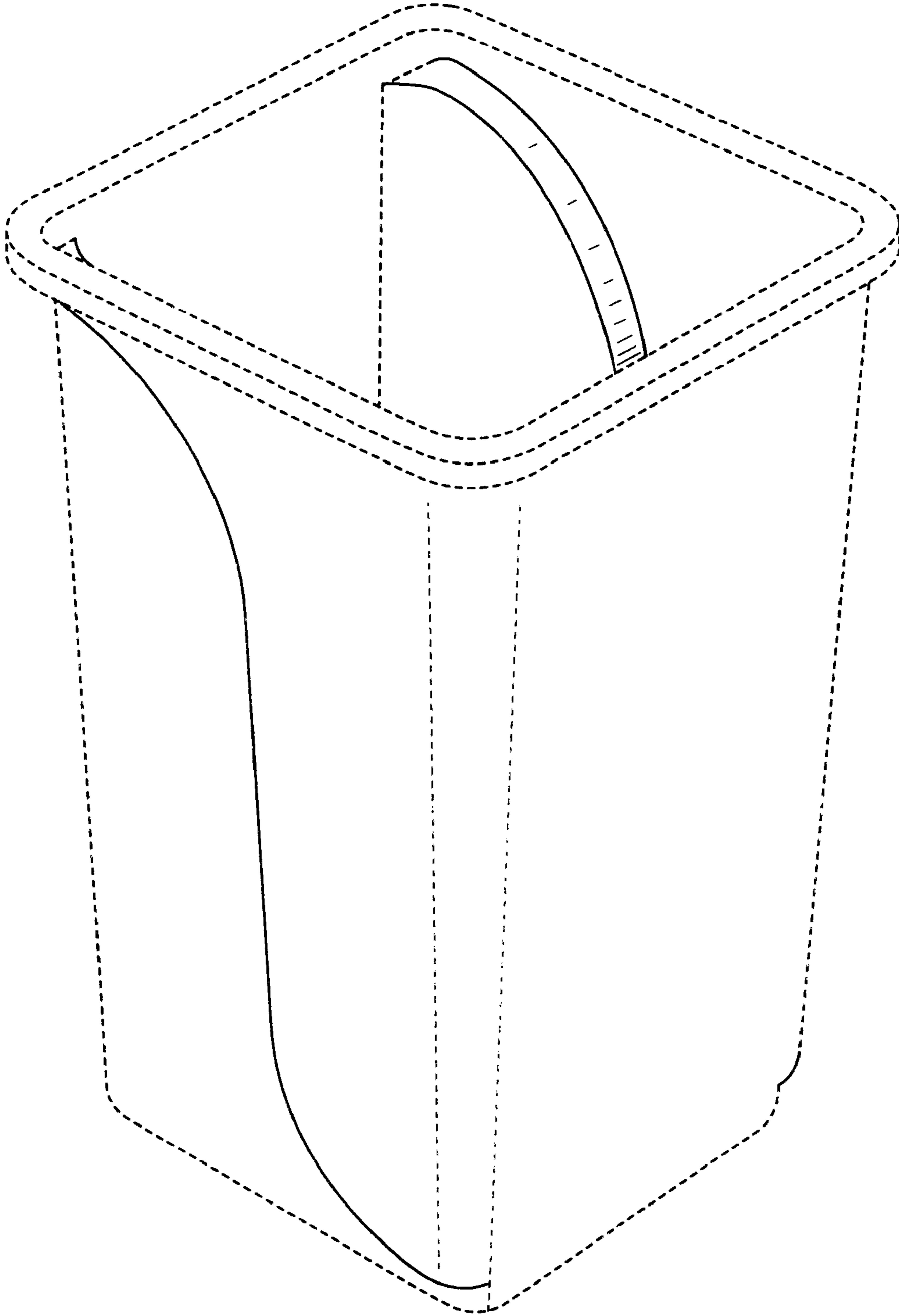


FIG. 1

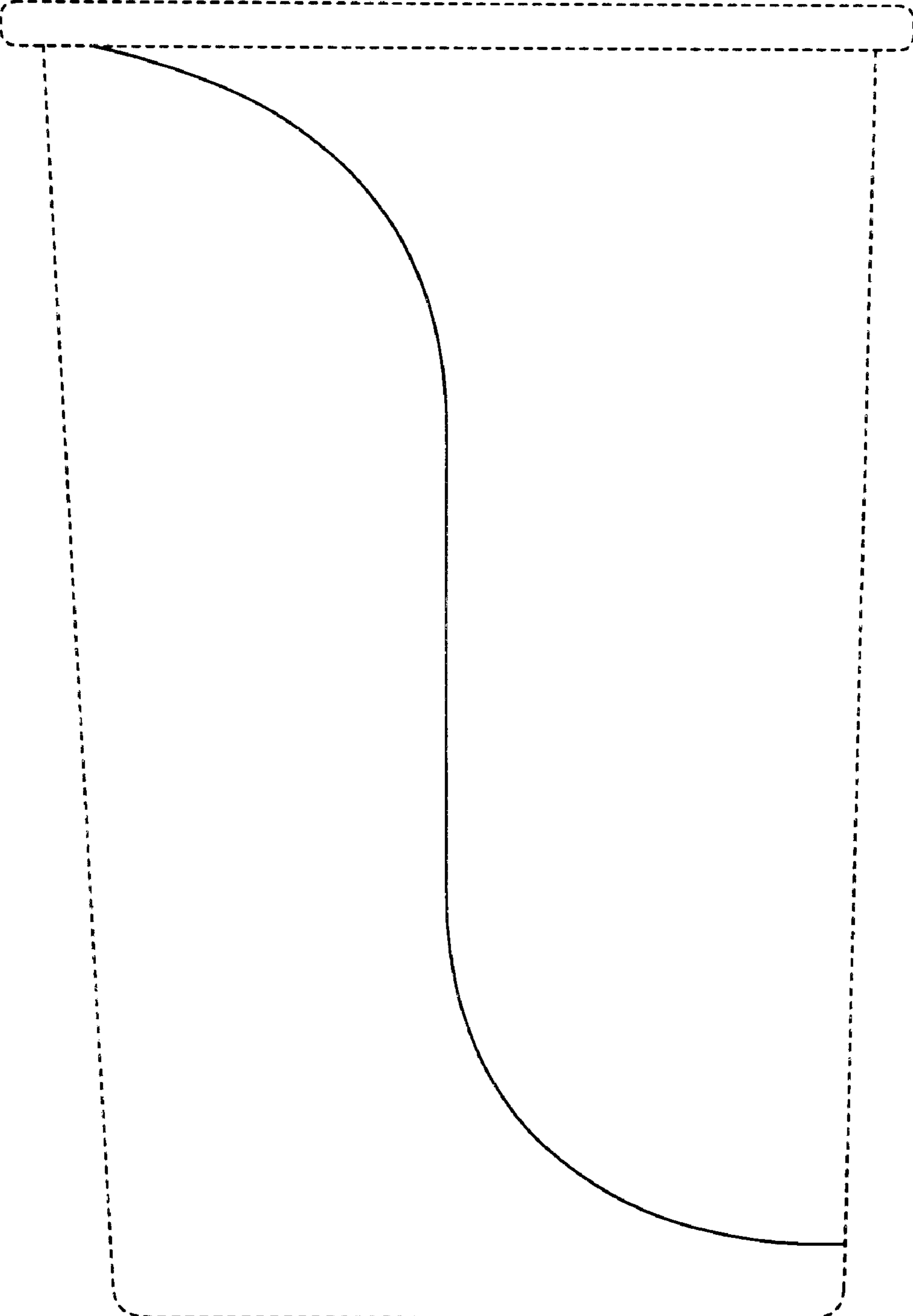


FIG. 2

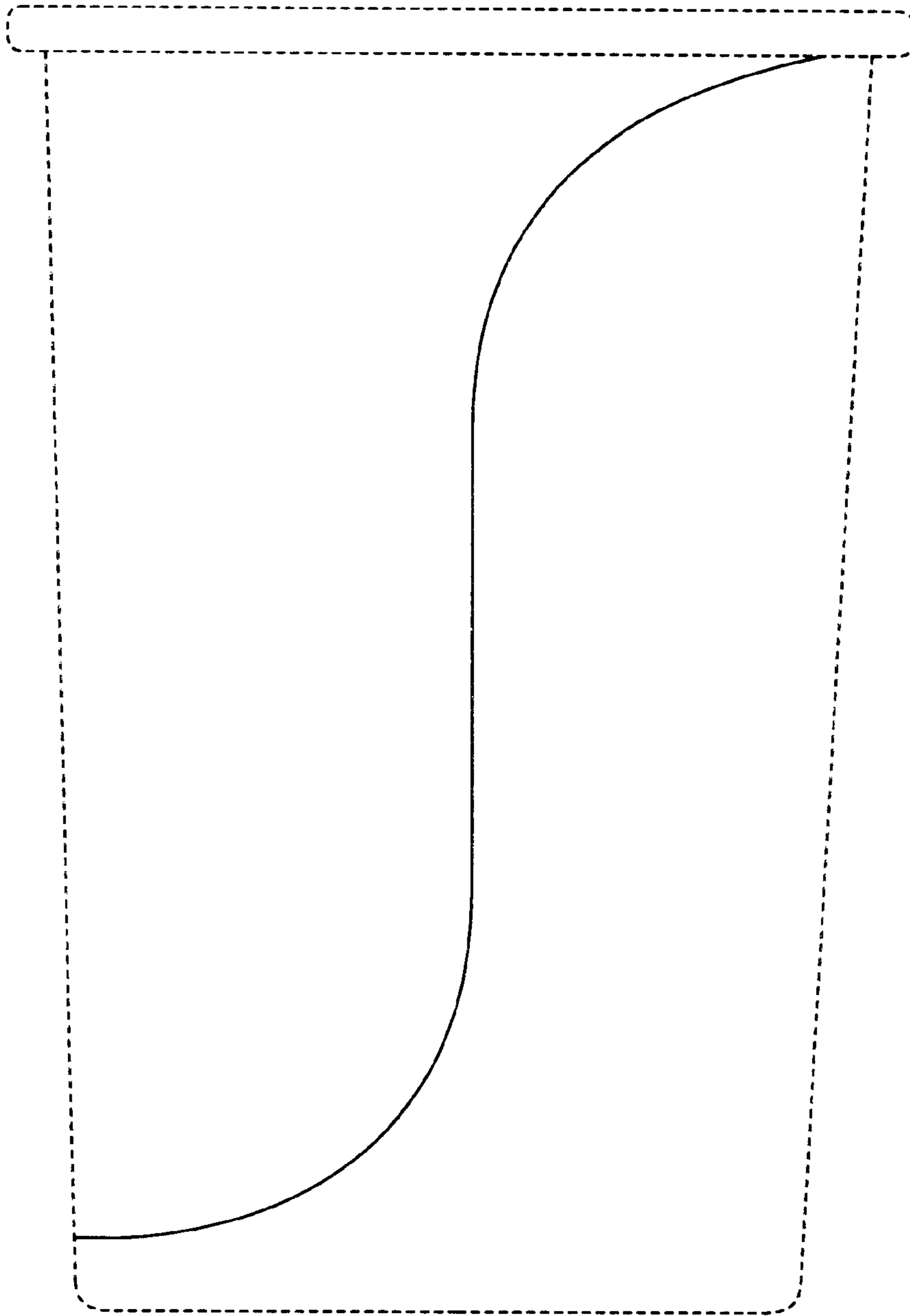


FIG. 3

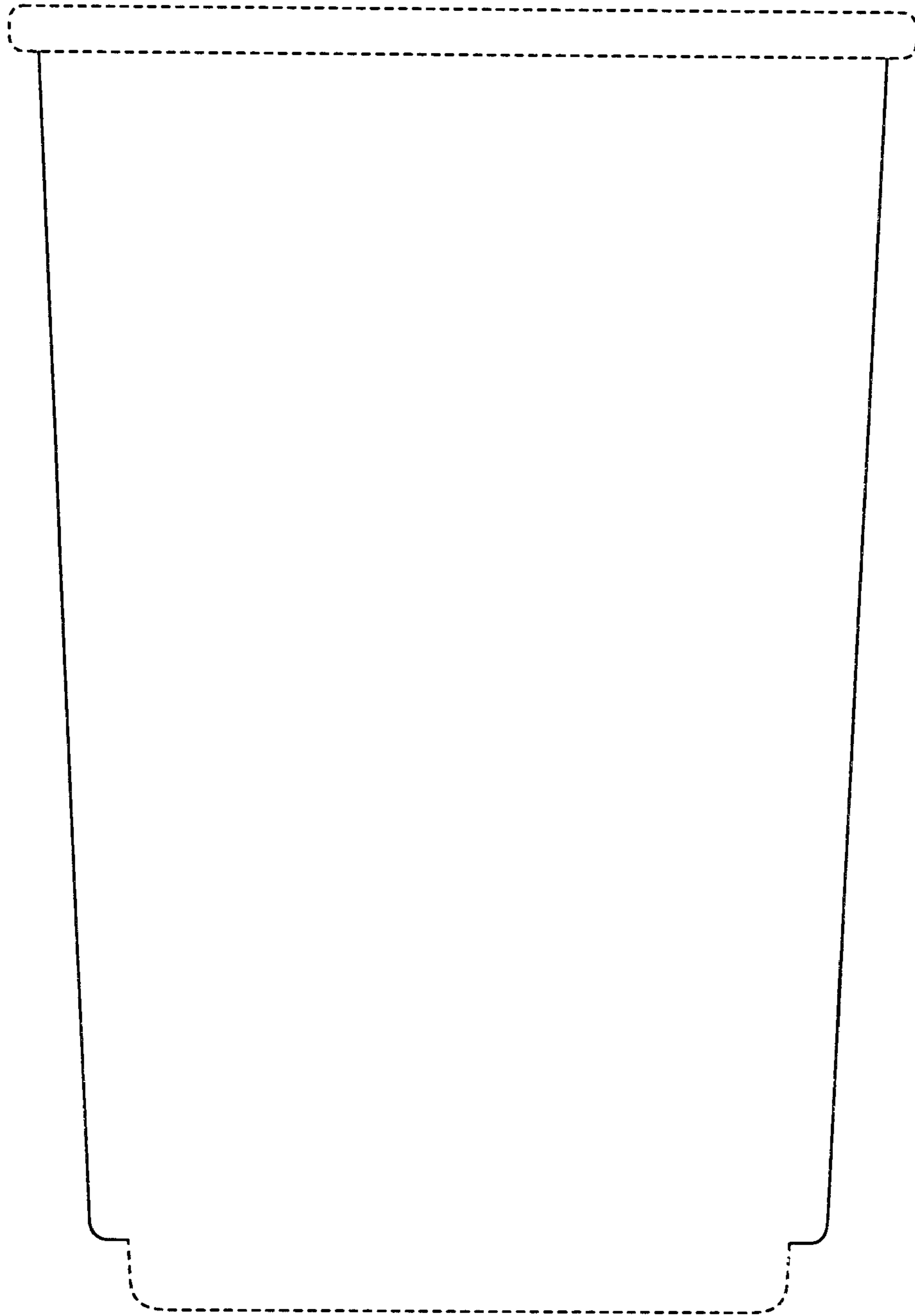


FIG. 4

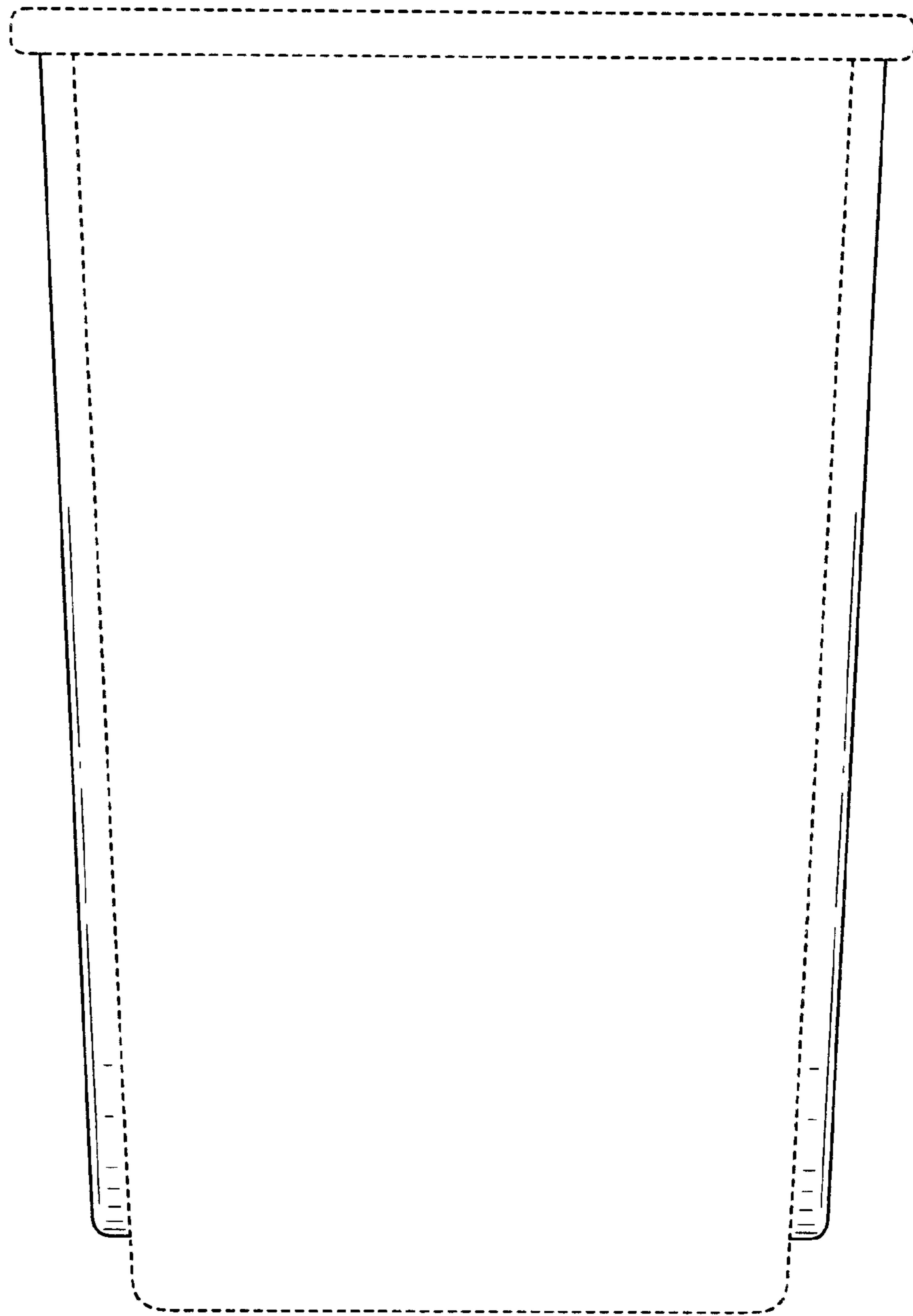


FIG. 5

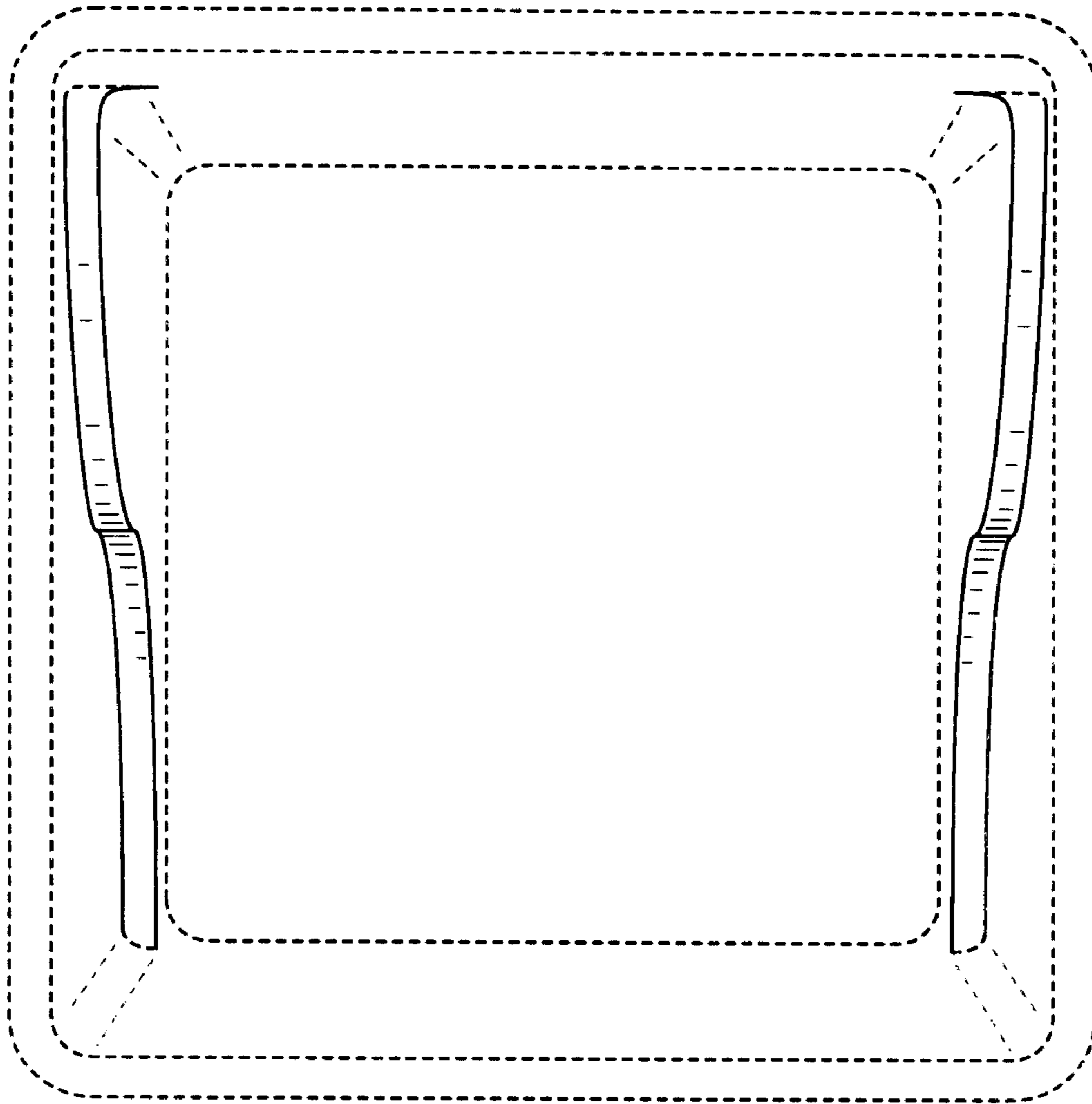


FIG. 6

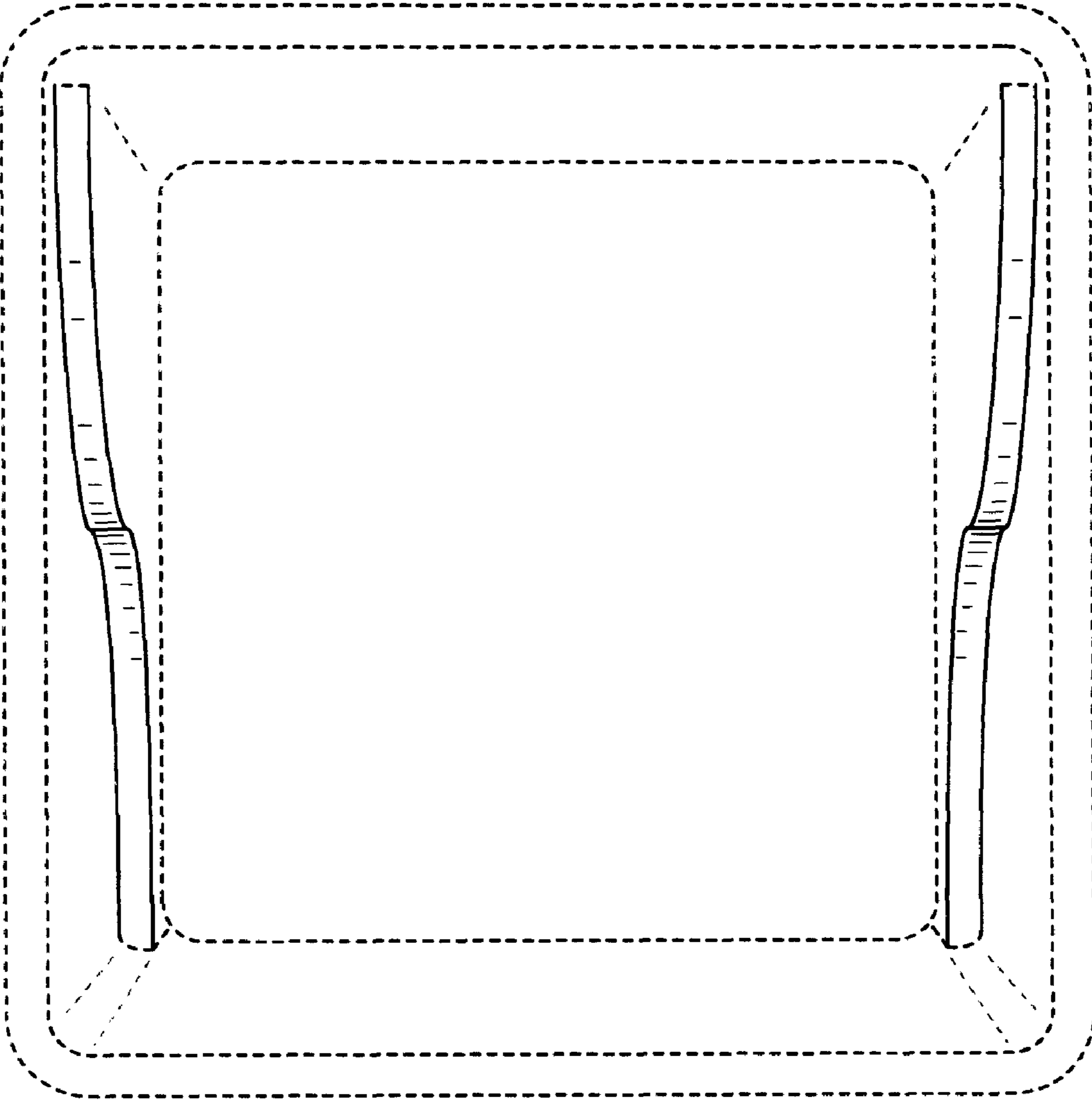


FIG. 7

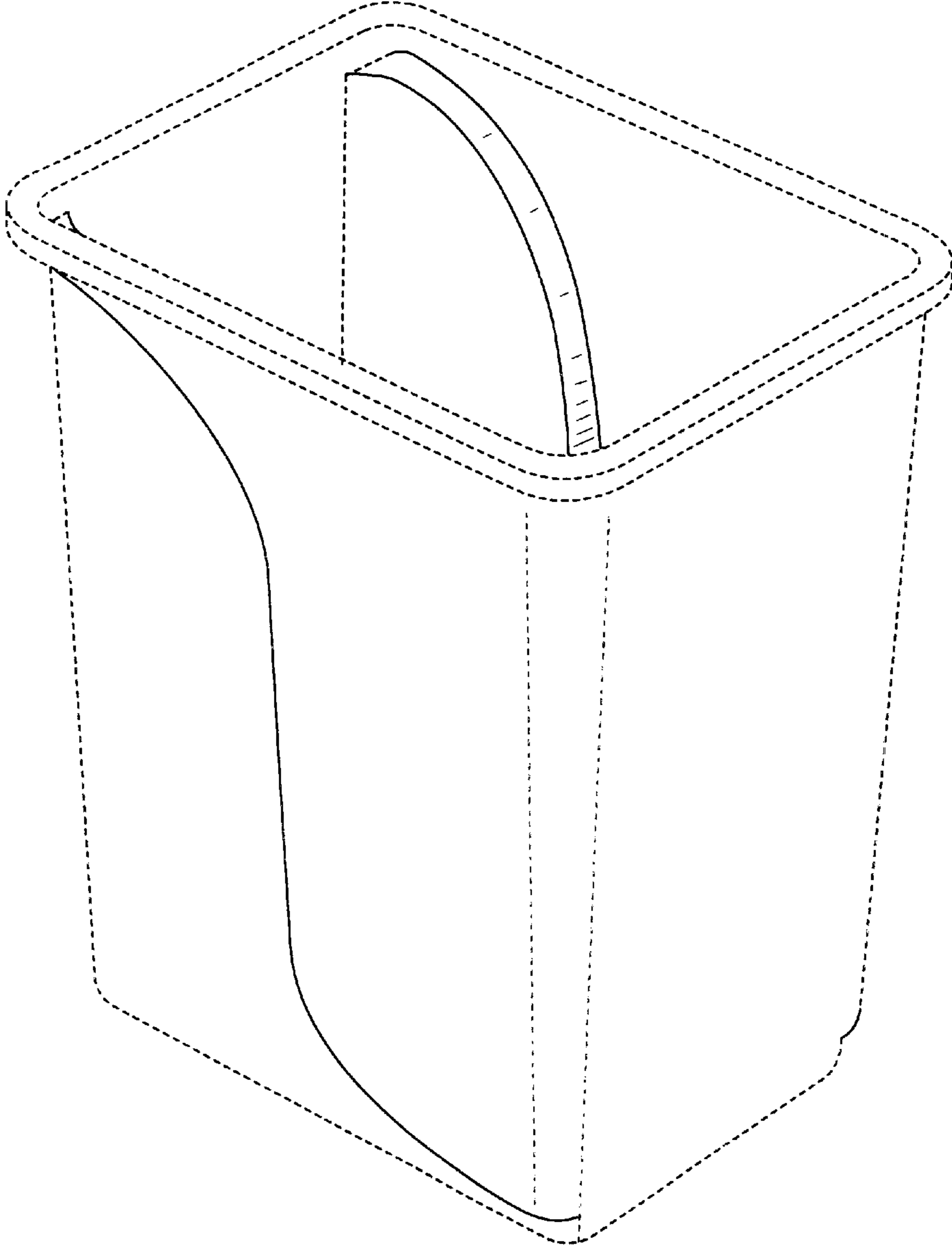


FIG. 8

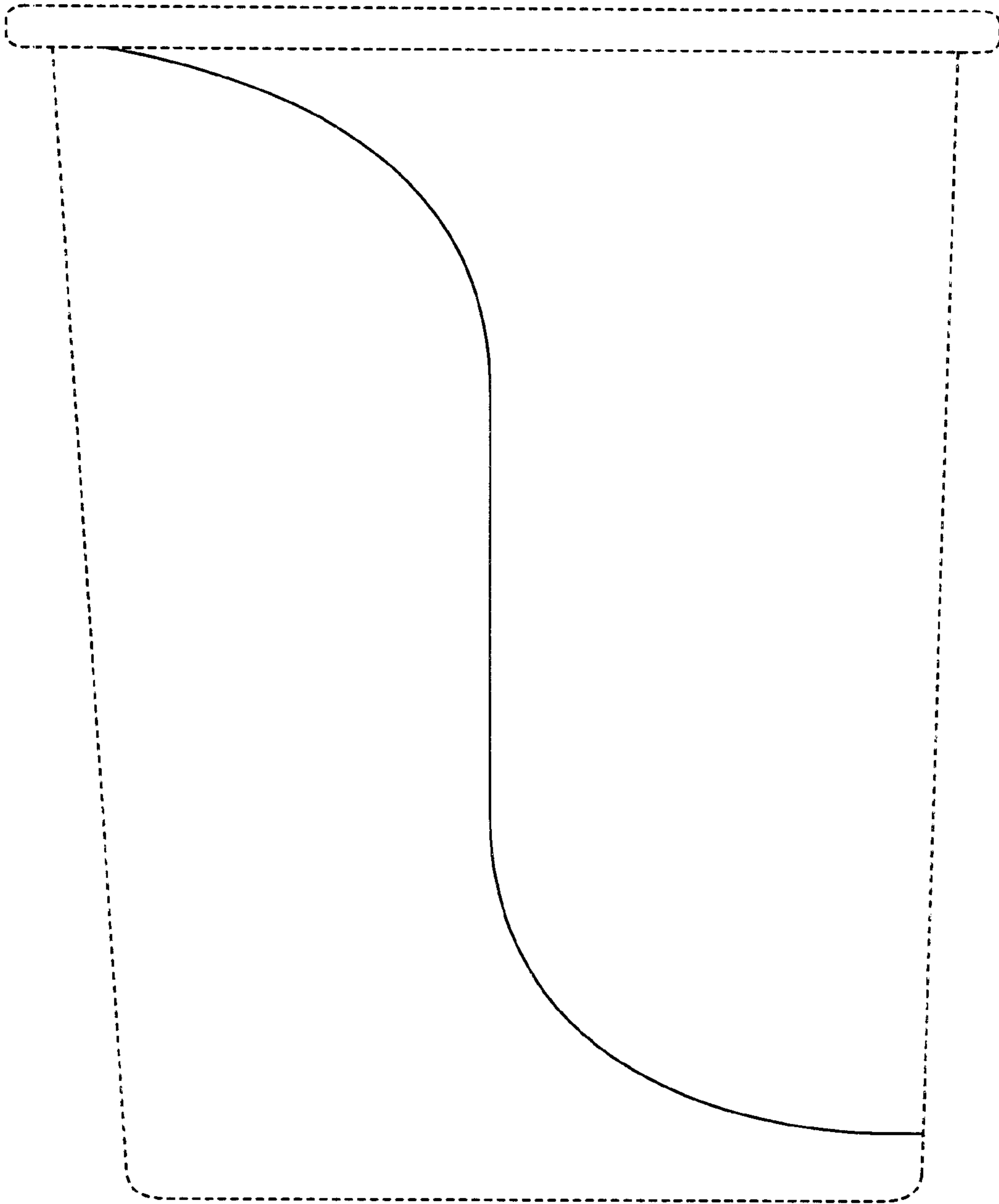


FIG. 9

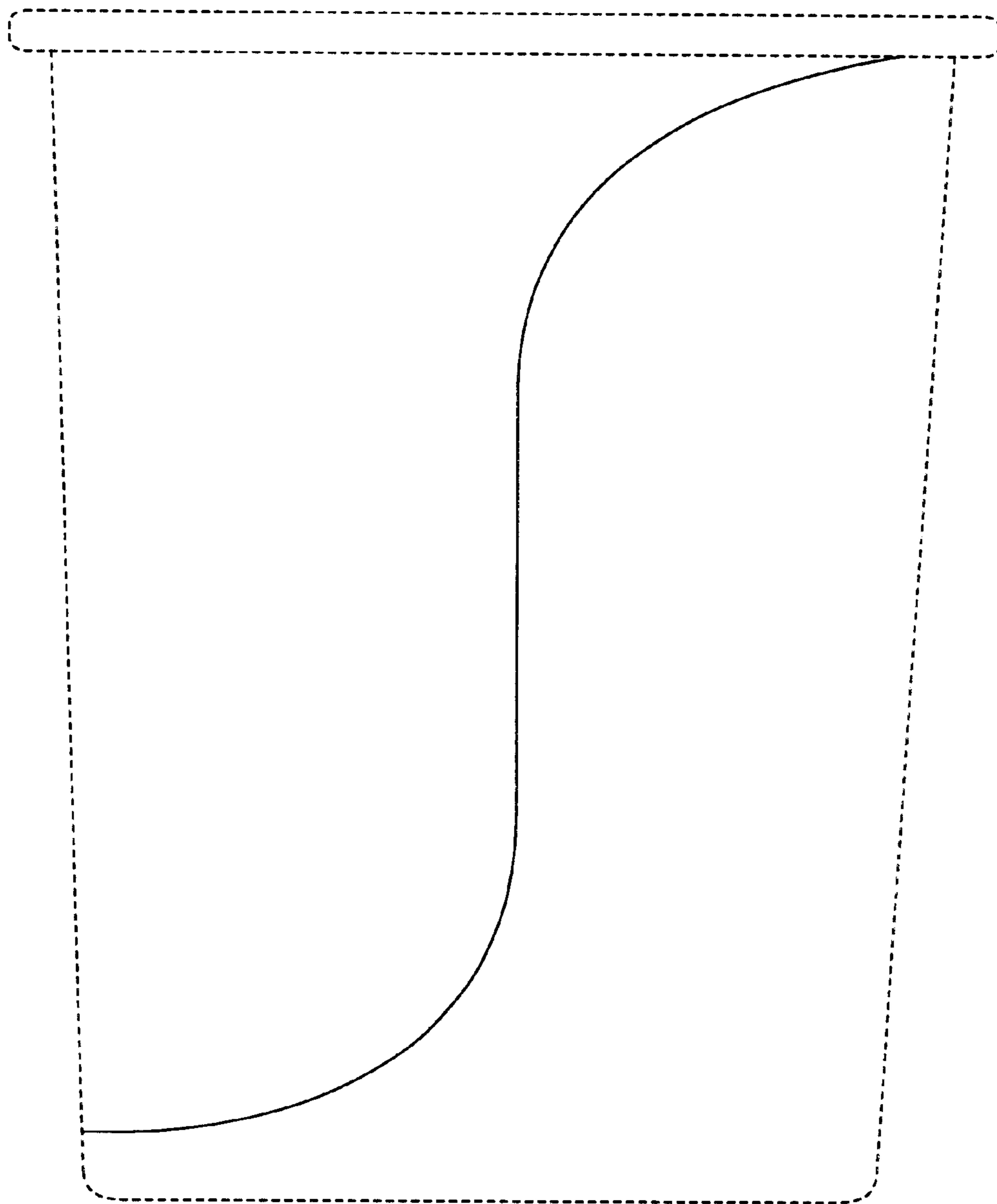


FIG. 10

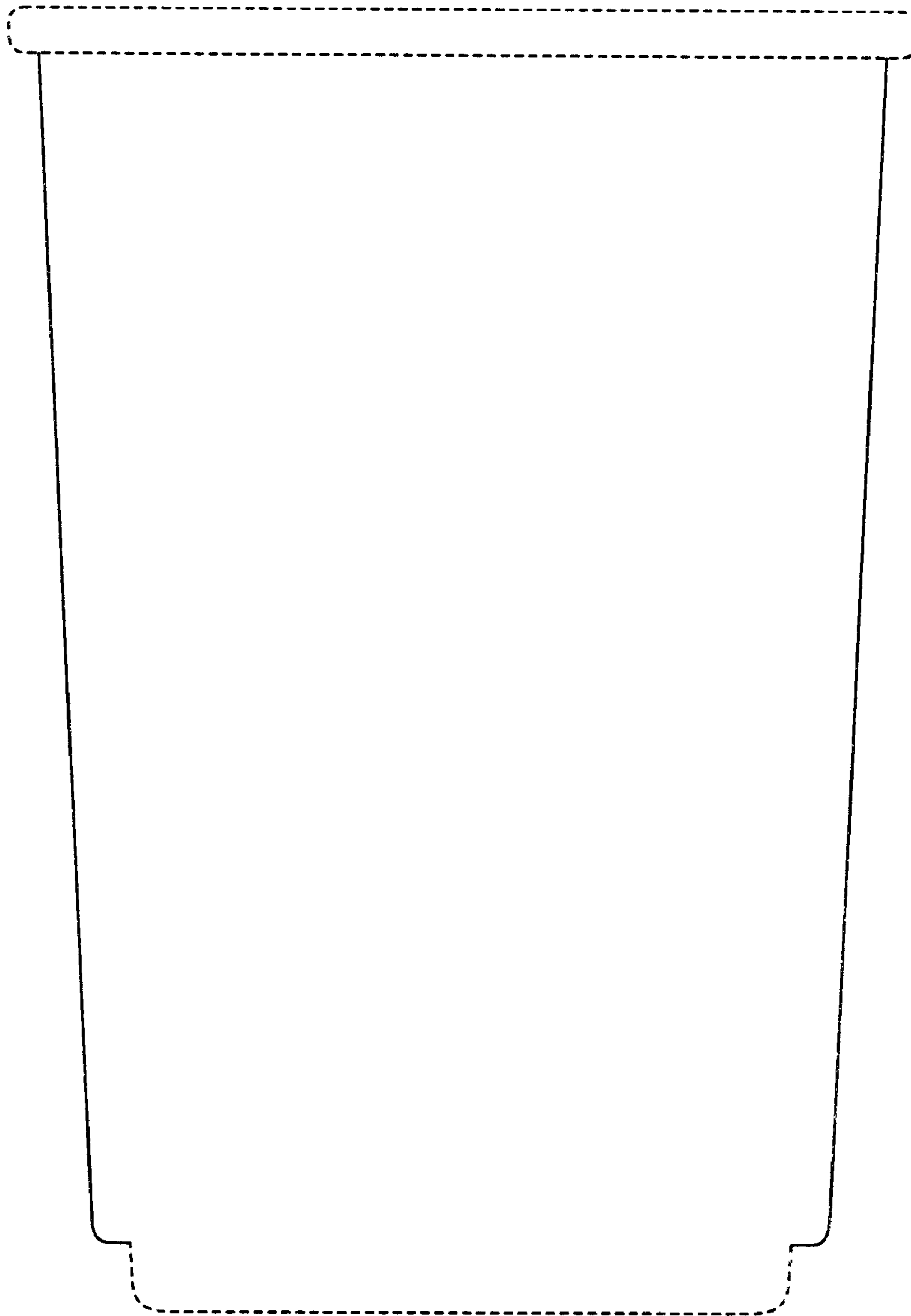


FIG. 11

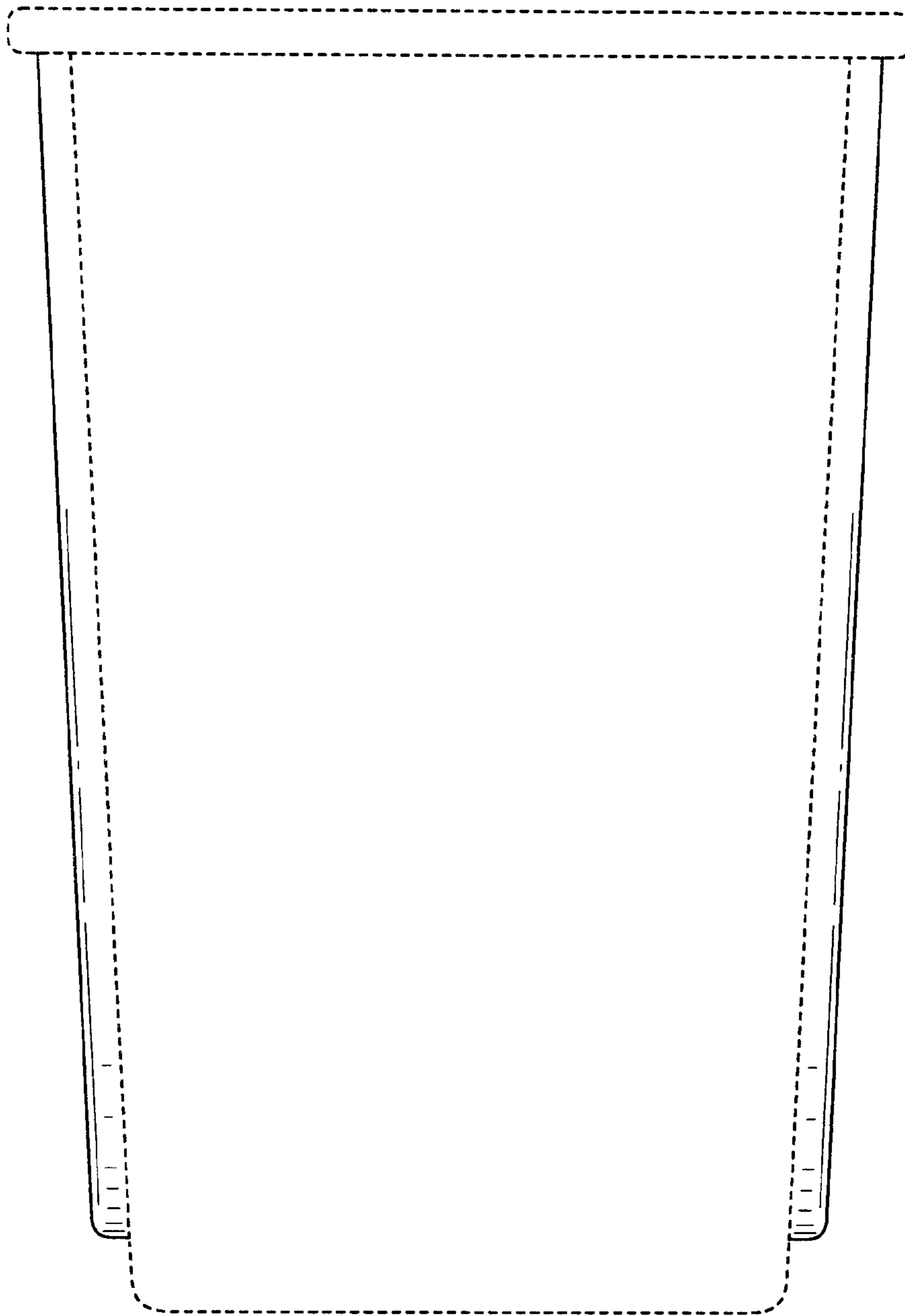


FIG. 12

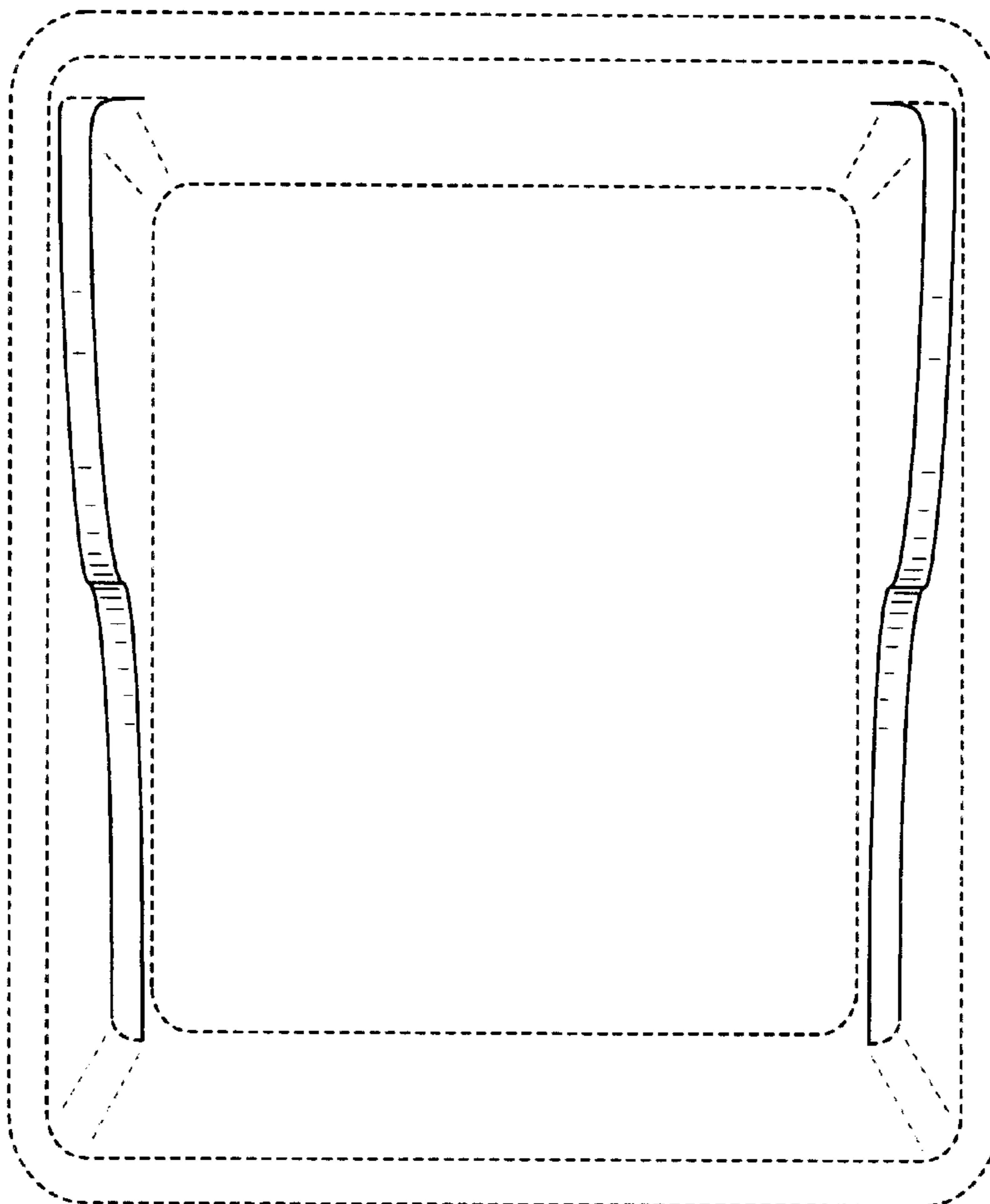


FIG. 13

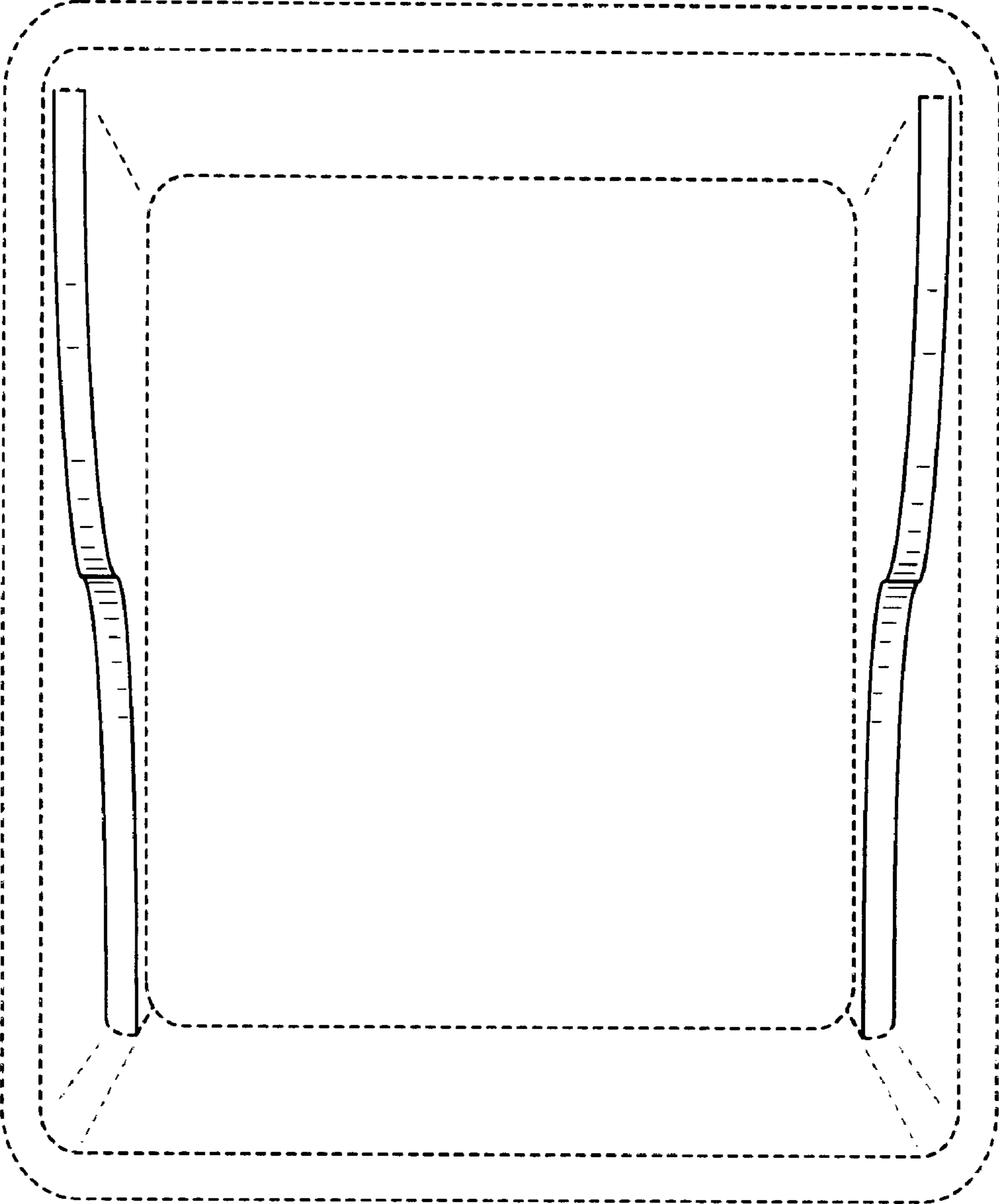


FIG. 14