



US00D531305S

(12) **United States Design Patent**
Glasbrenner

(10) **Patent No.:** **US D531,305 S**

(45) **Date of Patent:** **** Oct. 31, 2006**

(54) **FAN BLADE BRACKET**

D518,887 S * 4/2006 Tai D23/411

(75) Inventor: **Brian Glasbrenner**, Santa Monica, CA
(US)

* cited by examiner

(73) Assignee: **Air Cool Industrial Co., Ltd.**,
Taichung Hsien (TW)

Primary Examiner—Lisa Lichtenstein

(74) *Attorney, Agent, or Firm*—Troxell Law Office PLLC

(**) Term: **14 Years**

(57) **CLAIM**

The ornamental design for a fan blade bracket, as shown and described.

(21) Appl. No.: **29/241,841**

DESCRIPTION

(22) Filed: **Nov. 2, 2005**

(51) **LOC (8) Cl.** **23-04**

(52) **U.S. Cl.** **D23/411**

(58) **Field of Classification Search** D23/377,
D23/379, 385, 411, 413; 416/5, 210 R
See application file for complete search history.

FIG. 1 is a perspective view of a fan blade bracket showing my new design;

FIG. 2 is a front end elevation view thereof;

FIG. 3 is a rear end elevation view thereof;

FIG. 4 is a left side elevation view thereof;

FIG. 5 is a right side elevation view thereof;

FIG. 6 is a top plan view thereof; and,

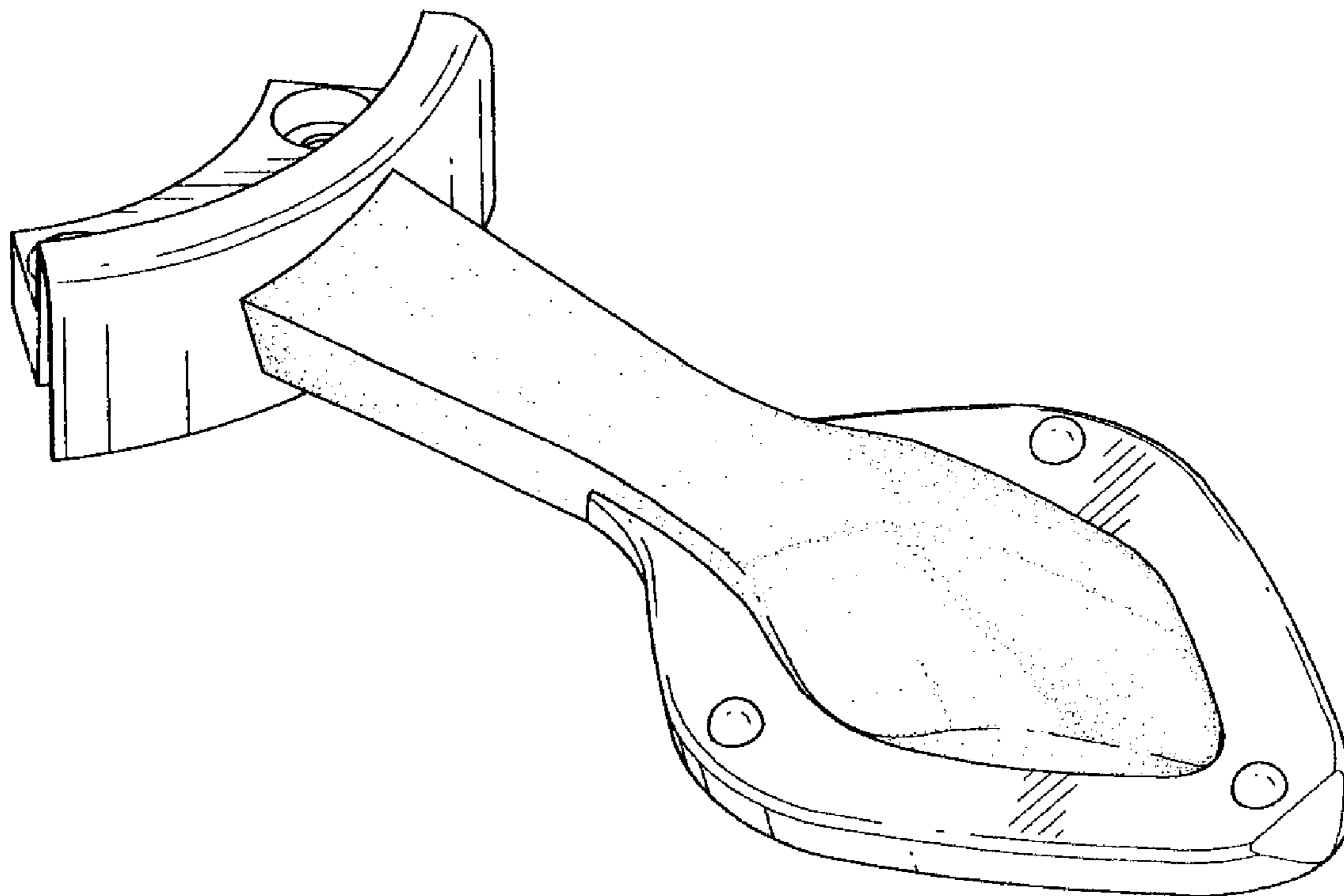
FIG. 7 is a bottom plan view thereof.

(56) **References Cited**

U.S. PATENT DOCUMENTS

D487,506 S * 3/2004 Burns D23/411

1 Claim, 4 Drawing Sheets



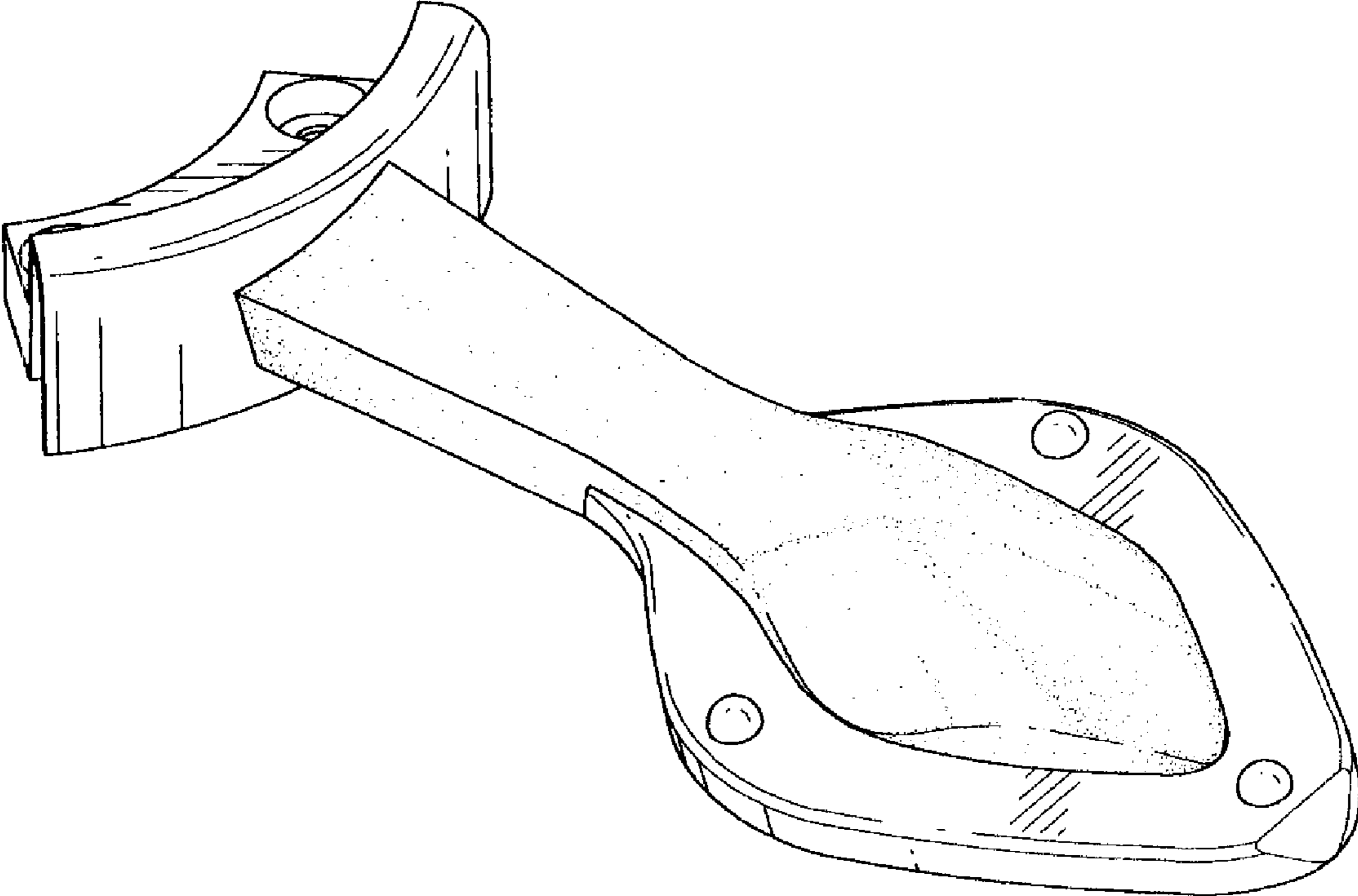


FIG. 1

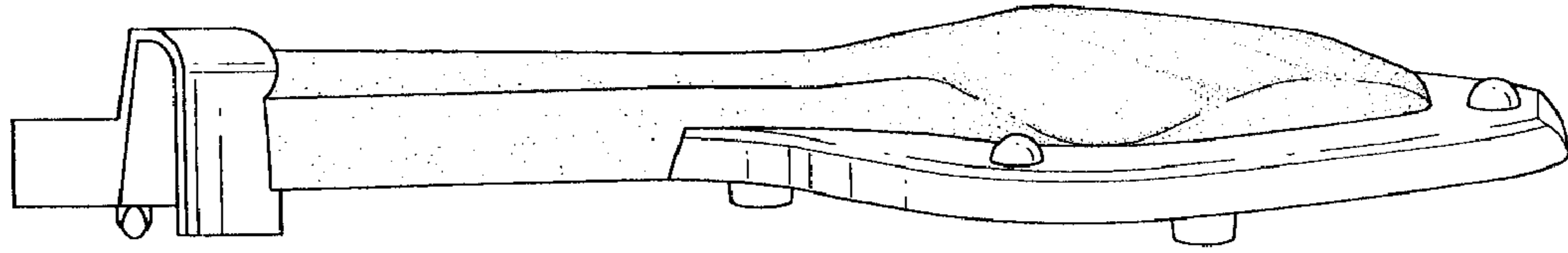


FIG. 2

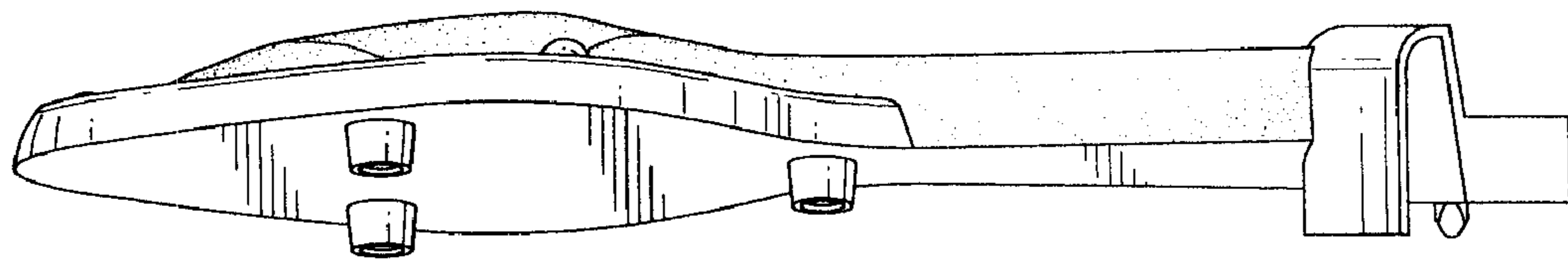


FIG. 3

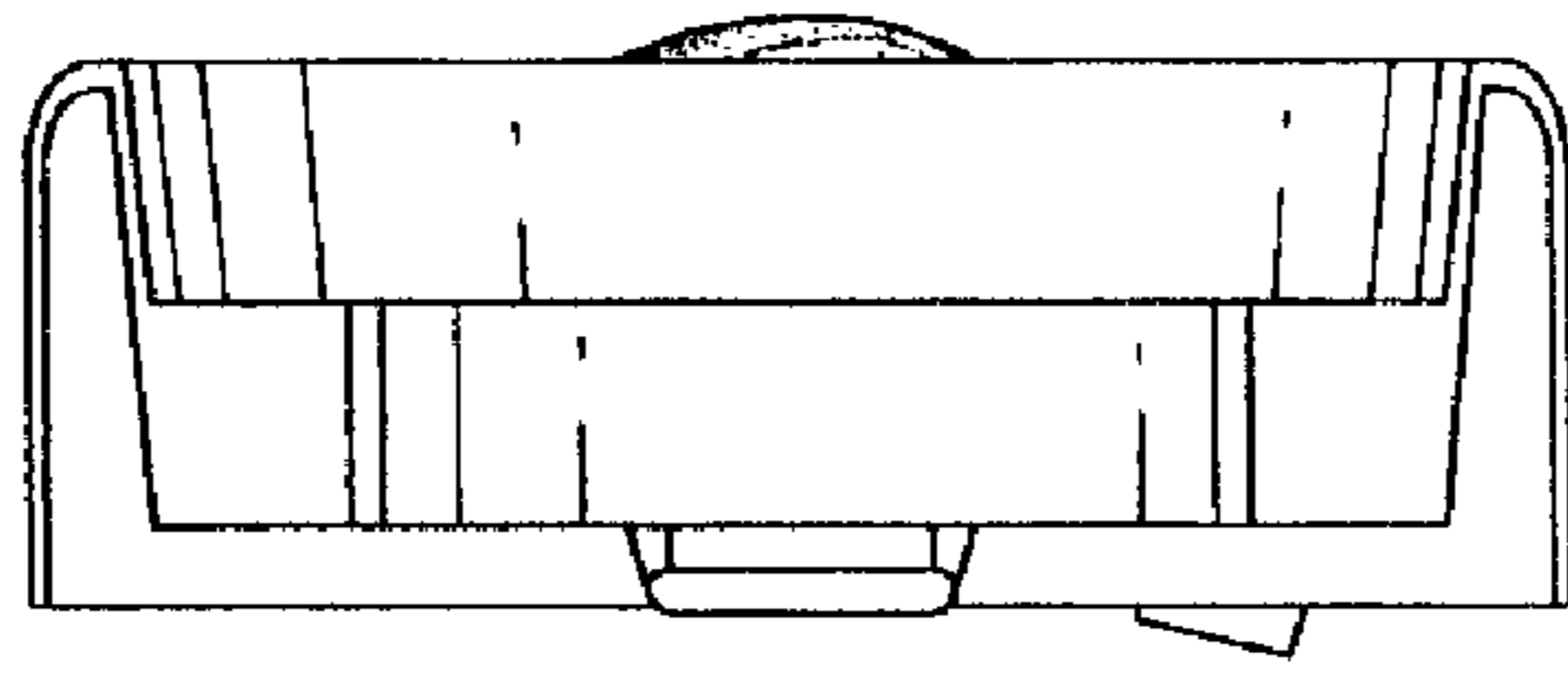


FIG. 4

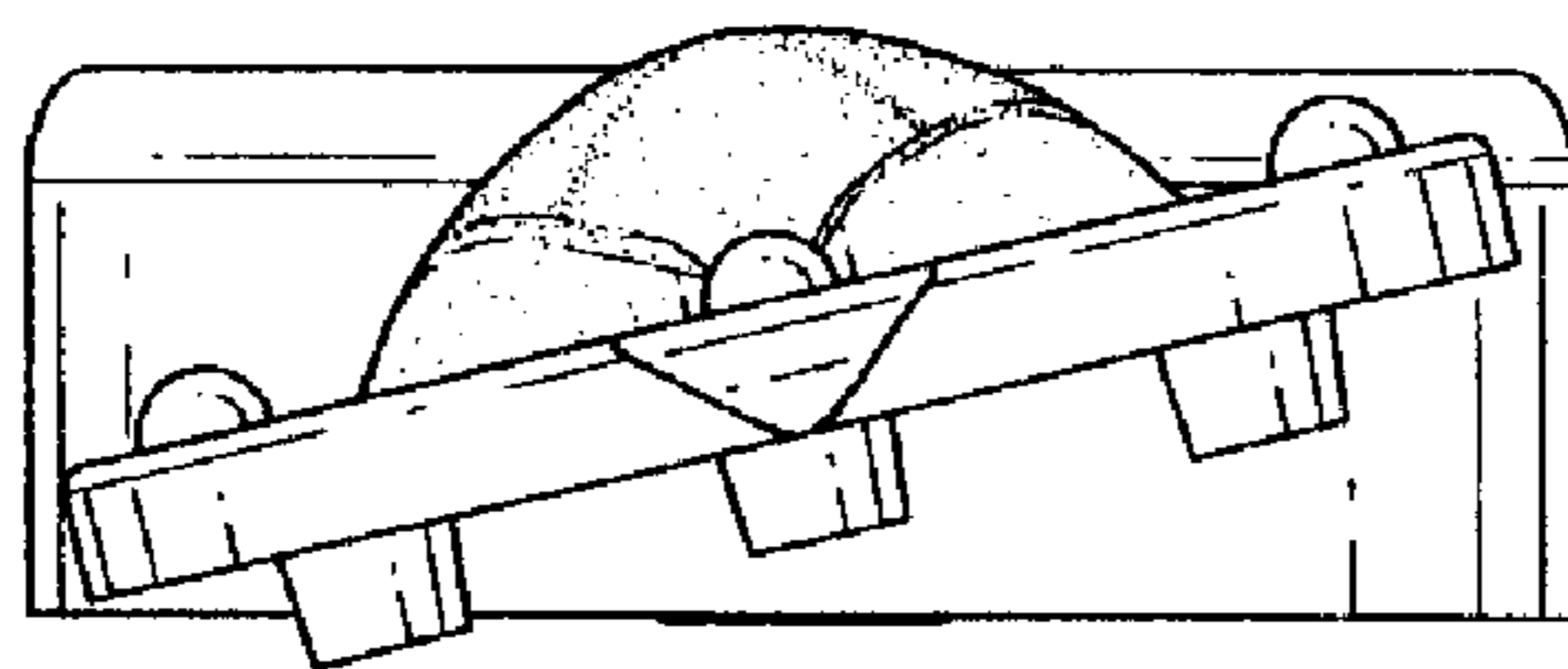


FIG. 5

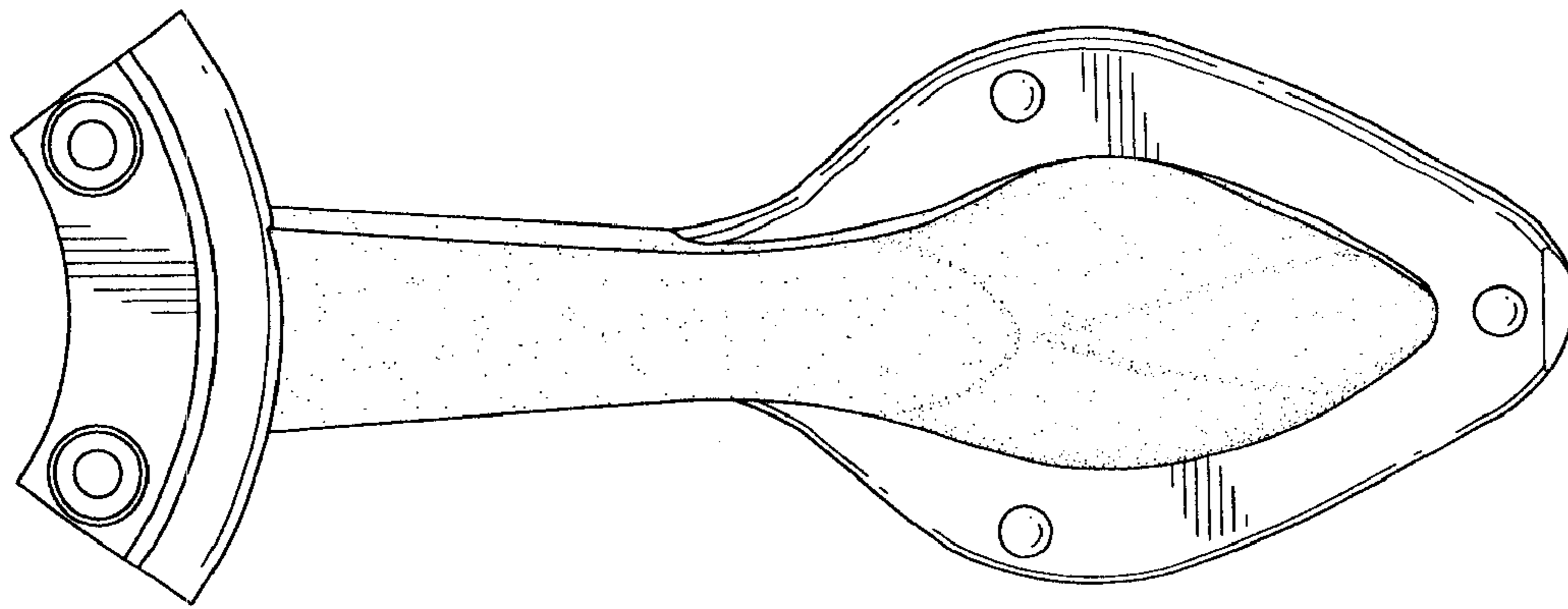


FIG. 6

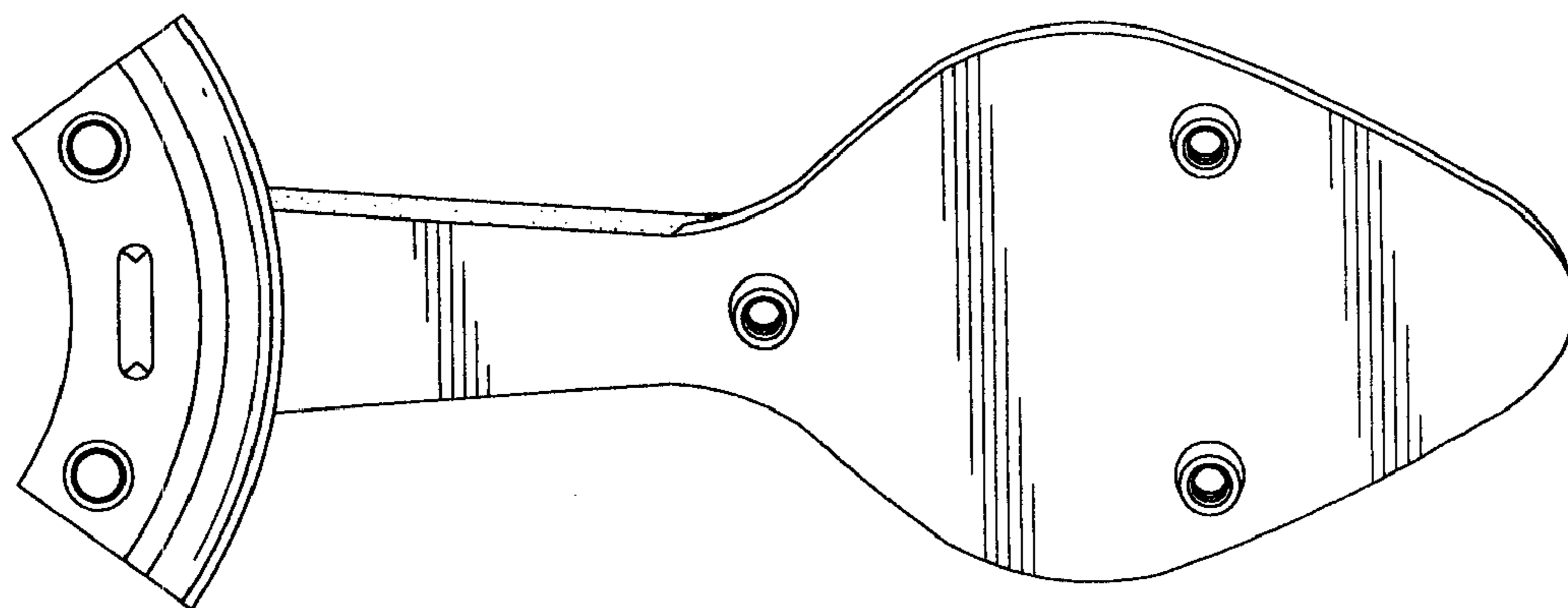


FIG. 7