



US00D531303S

(12) **United States Design Patent**
Glasbrenner

(10) **Patent No.:** **US D531,303 S**

(45) **Date of Patent:** **** Oct. 31, 2006**

(54) **FAN BLADE BRACKET**

(75) **Inventor:** **Brian Glasbrenner**, Santa Monica, CA
(US)

(73) **Assignee:** **Air Cool Industrial Co., Ltd.**,
Taichung Hsien (TW)

(**) **Term:** **14 Years**

(21) **Appl. No.:** **29/241,836**

(22) **Filed:** **Nov. 2, 2005**

(51) **LOC (8) Cl.** **23-04**

(52) **U.S. Cl.** **D23/411**

(58) **Field of Classification Search** D23/377,
D23/379, 385, 411, 413; 416/5, 210 R
See application file for complete search history.

(56) **References Cited**

U.S. PATENT DOCUMENTS

D367,321 S * 2/1996 Holbrook D23/411
D382,955 S * 8/1997 Liu D23/411

D445,888 S * 7/2001 Lee D23/377
D507,826 S * 7/2005 Young D23/377
D510,136 S * 9/2005 Hidalgo D23/411

* cited by examiner

Primary Examiner—Lisa Lichtenstein

(74) *Attorney, Agent, or Firm*—Troxell Law Office, PLLC

(57) **CLAIM**

The ornamental design for a fan blade bracket, as shown and described.

DESCRIPTION

FIG. 1 is a perspective view of a fan blade bracket showing my new design;

FIG. 2 is a front end elevation view thereof;

FIG. 3 is a rear end elevation view thereof;

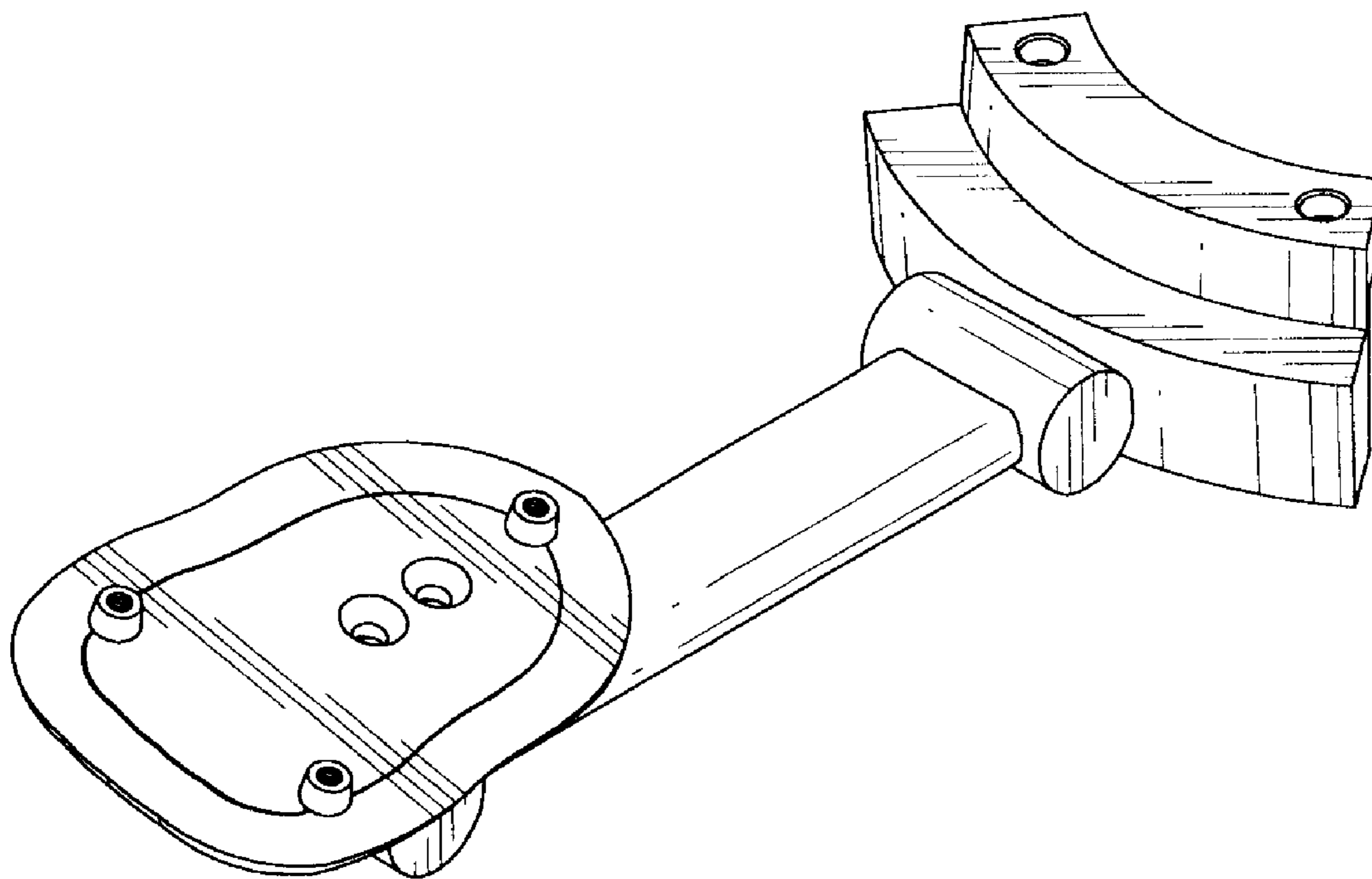
FIG. 4 is a left side elevation view thereof;

FIG. 5 is a right side elevation view thereof;

FIG. 6 is a top plan view thereof; and,

FIG. 7 is a bottom plan view thereof.

1 Claim, 4 Drawing Sheets



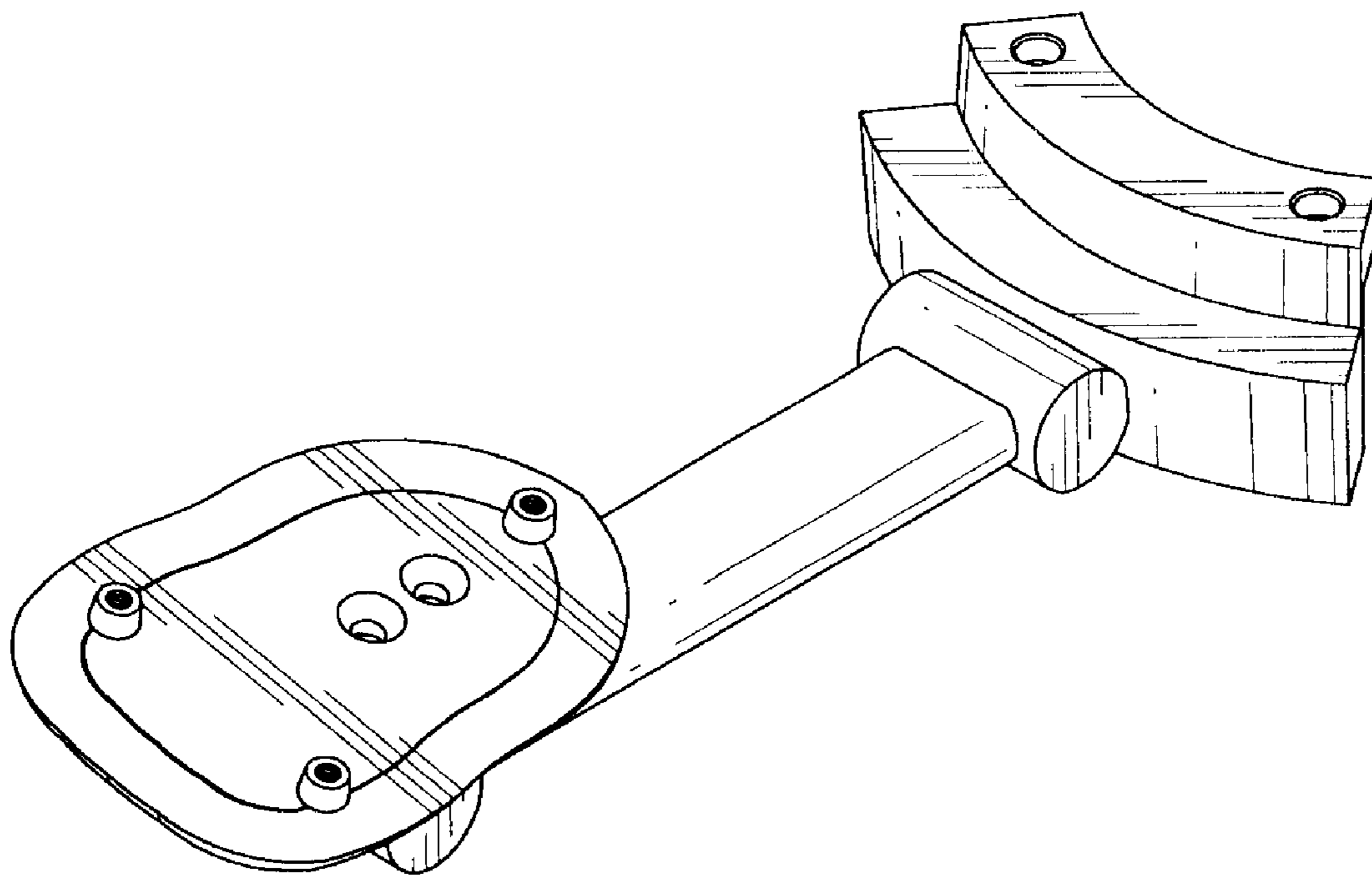


FIG. 1

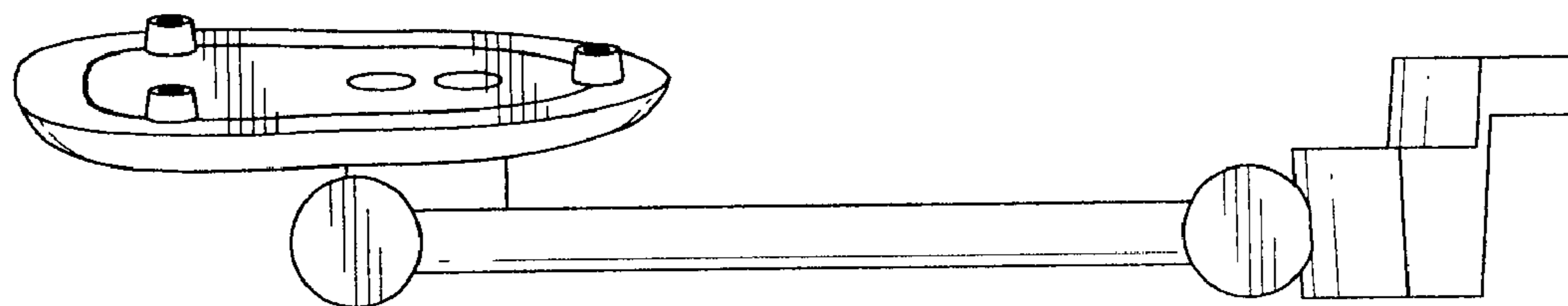


FIG. 2

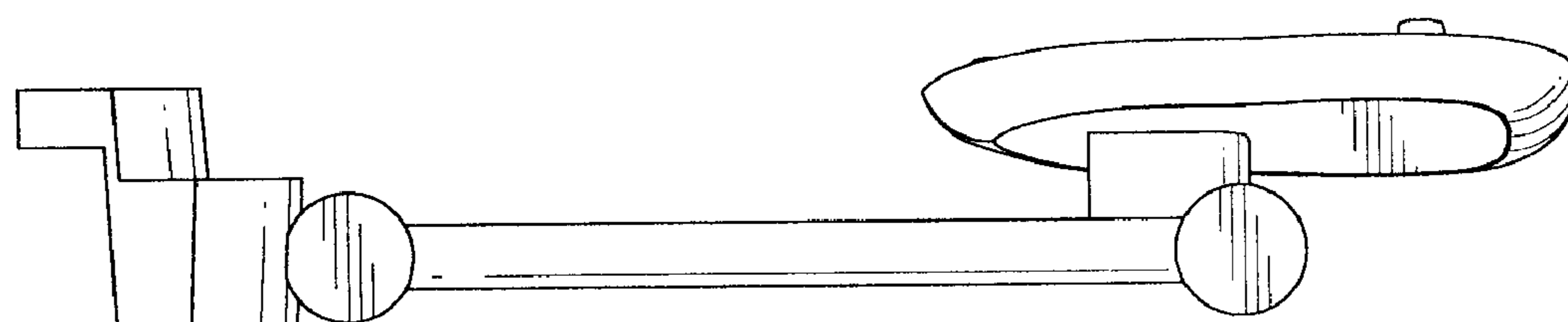


FIG. 3

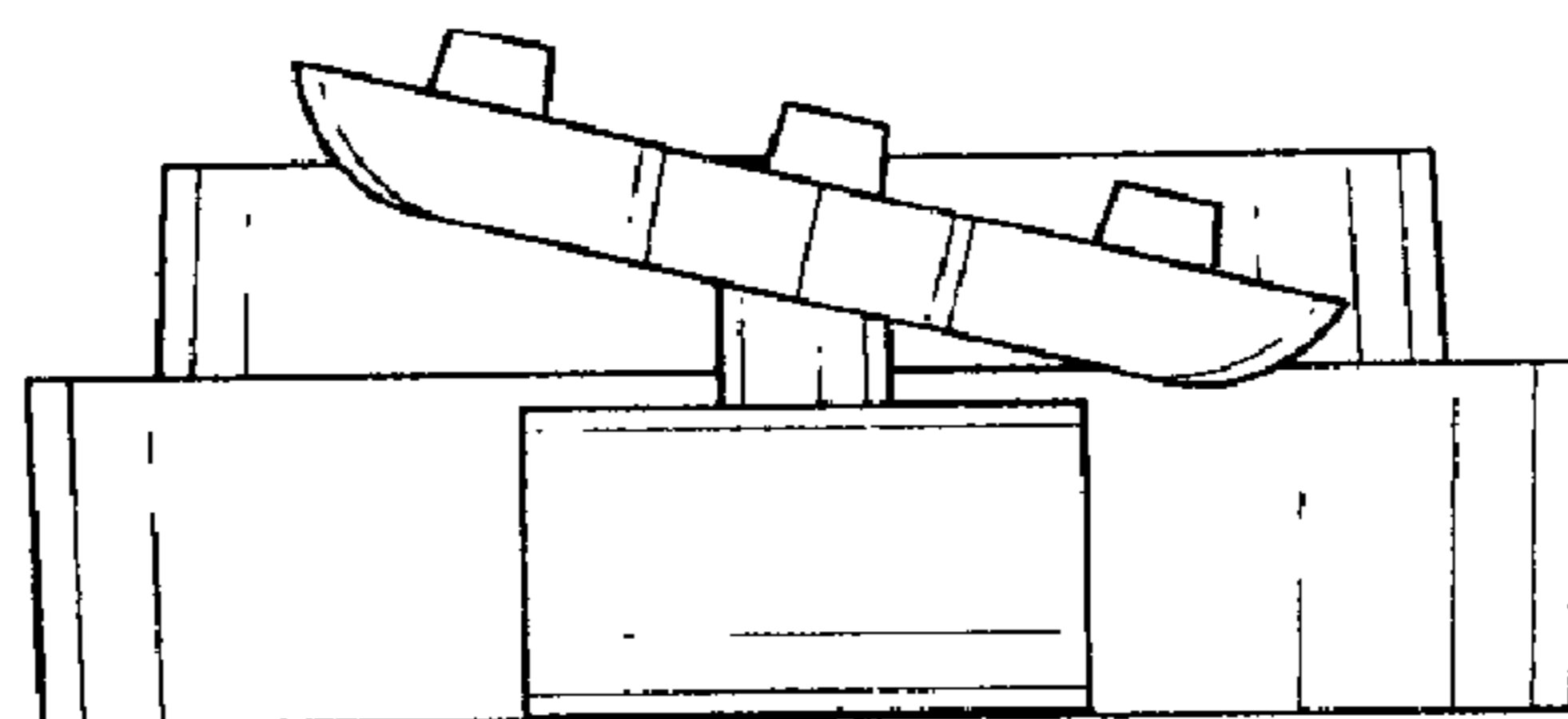


FIG. 4

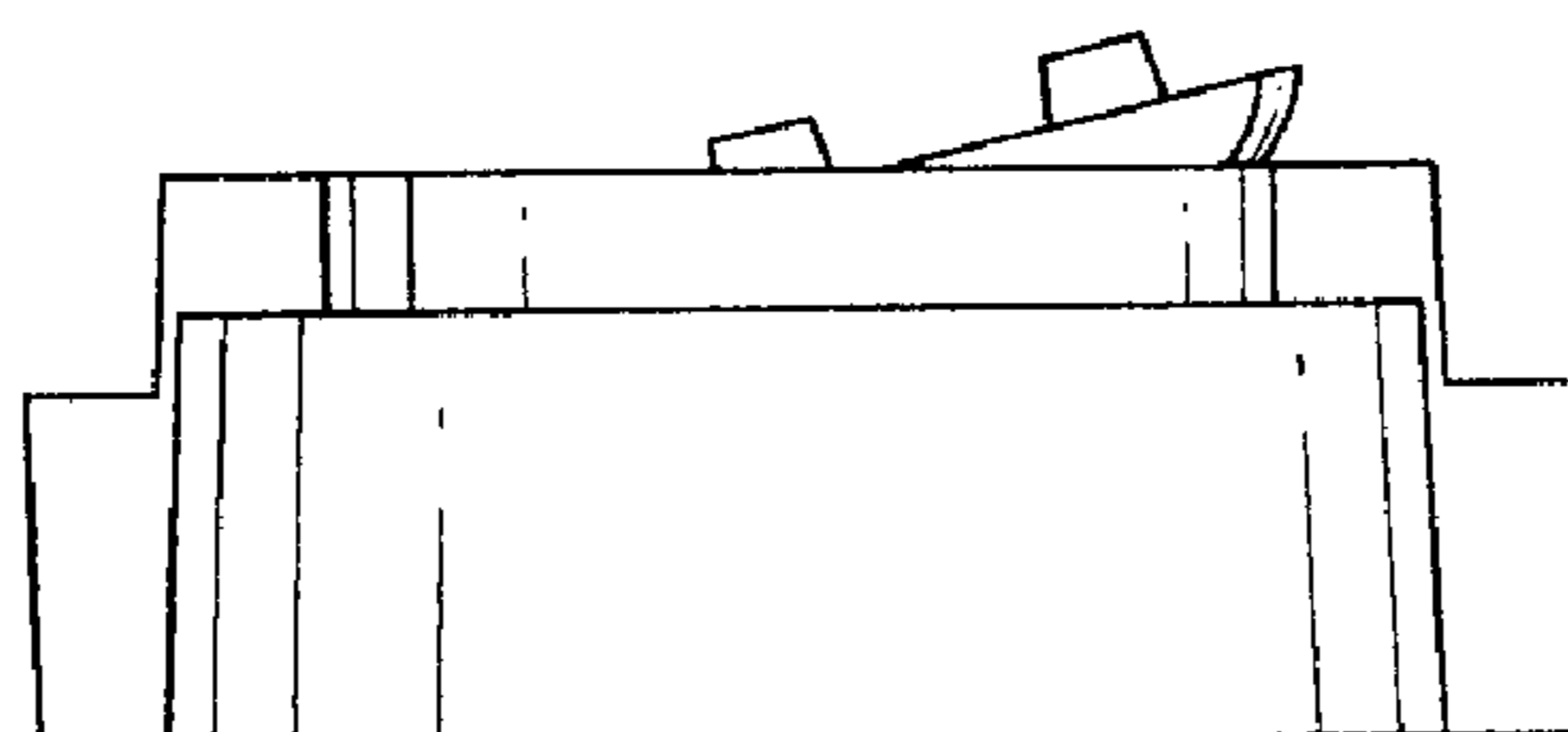


FIG. 5

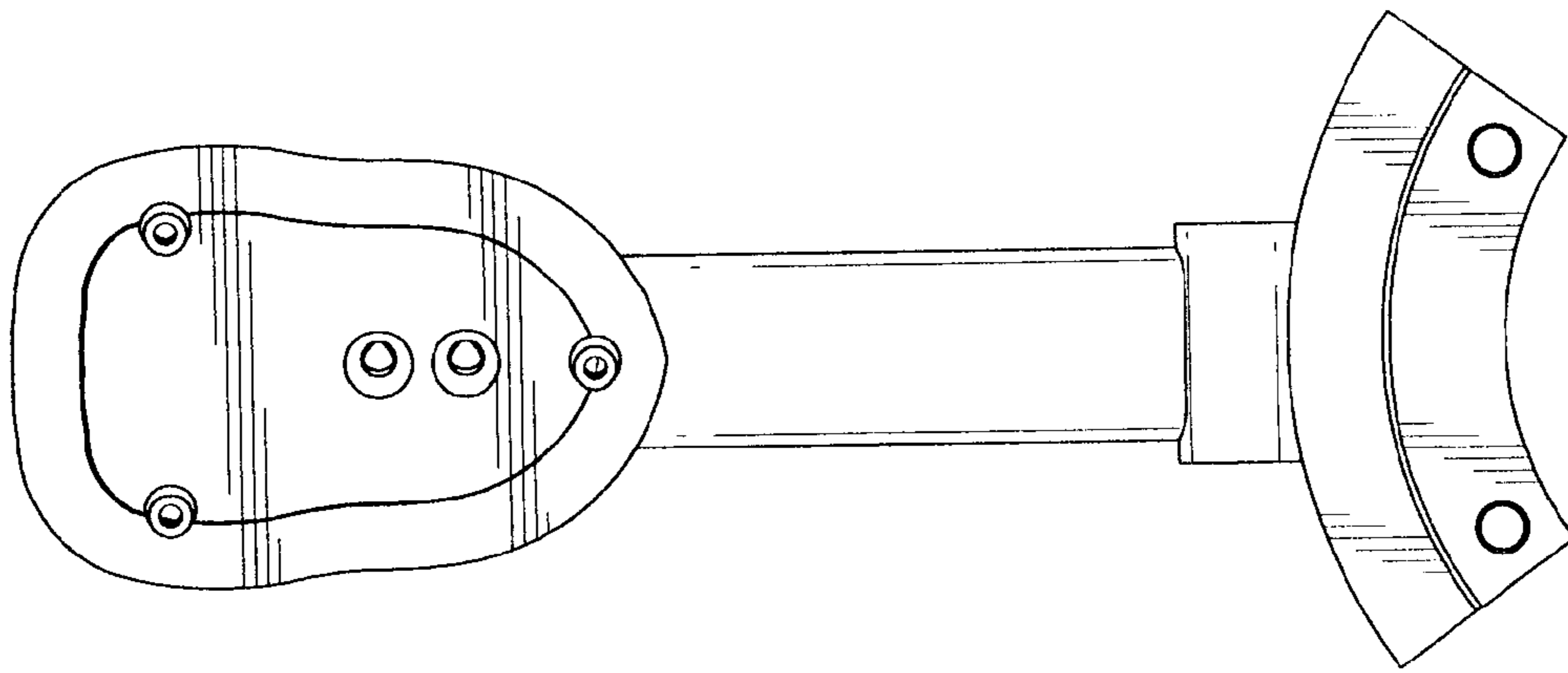


FIG. 6

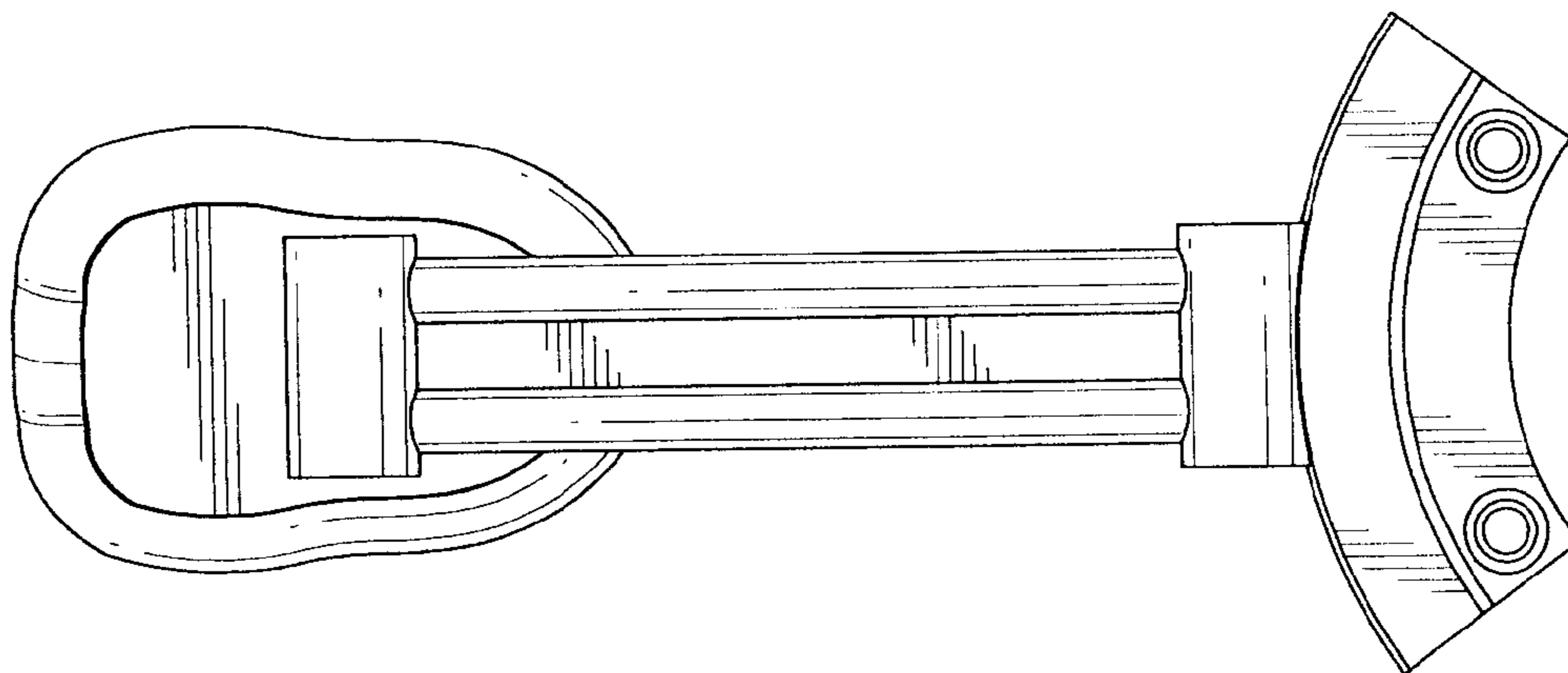


FIG. 7