



US00D531298S

(12) **United States Design Patent**  
**Hidalgo**

(10) **Patent No.:** **US D531,298 S**

(45) **Date of Patent:** **\*\* Oct. 31, 2006**

(54) **COMBINATION CEILING FAN AND LIGHT FIXTURE**

Minka Lavery 2005 Catalog; Jan. 2005; pp. 48–54; Minka Lighting, Inc.; U.S.A.

(75) Inventor: **Rolando Hidalgo**, Orange, CA (US)

\* cited by examiner

(73) Assignee: **Minka Lighting, Inc.**, Corona, CA (US)

*Primary Examiner*—Lisa Lichtenstein

(74) *Attorney, Agent, or Firm*—Baker & McKenzie LLP

(\*\*) Term: **14 Years**

(57) **CLAIM**

(21) Appl. No.: **29/241,161**

The ornamental design for a combination ceiling fan and light fixture, as shown and described.

(22) Filed: **Oct. 25, 2005**

**DESCRIPTION**

(51) **LOC (8) Cl.** ..... **23-04**

(52) **U.S. Cl.** ..... **D23/377; D23/379; D26/59**

(58) **Field of Classification Search** ..... D23/377,  
D23/379, 385, 411, 413; 416/5; D26/59,  
D26/71, 81–88, 51; 362/96

FIG. 1 is a perspective view from below of a combination ceiling fan and light fixture in accordance with my design; FIG. 2 is a top plan view of the combination ceiling fan and light fixture in accordance with my design; FIG. 3 is a bottom plan view of the combination ceiling fan and light fixture in accordance with my design; FIG. 4 is an enlarged side elevation view of the combination ceiling fan and light fixture in accordance with my design, all sides being mirror images of that shown; and, FIG. 5 is an enlarged diagonal perspective view of the combination ceiling fan and light fixture in accordance with my design, the diagonal perspective being the intersection of two sides.

See application file for complete search history.

The vertical lines within the ceiling mount, housing, and light fixture of FIGS. 4 and 5 are understood to be shading and form no part of the claimed invention.

(56) **References Cited**

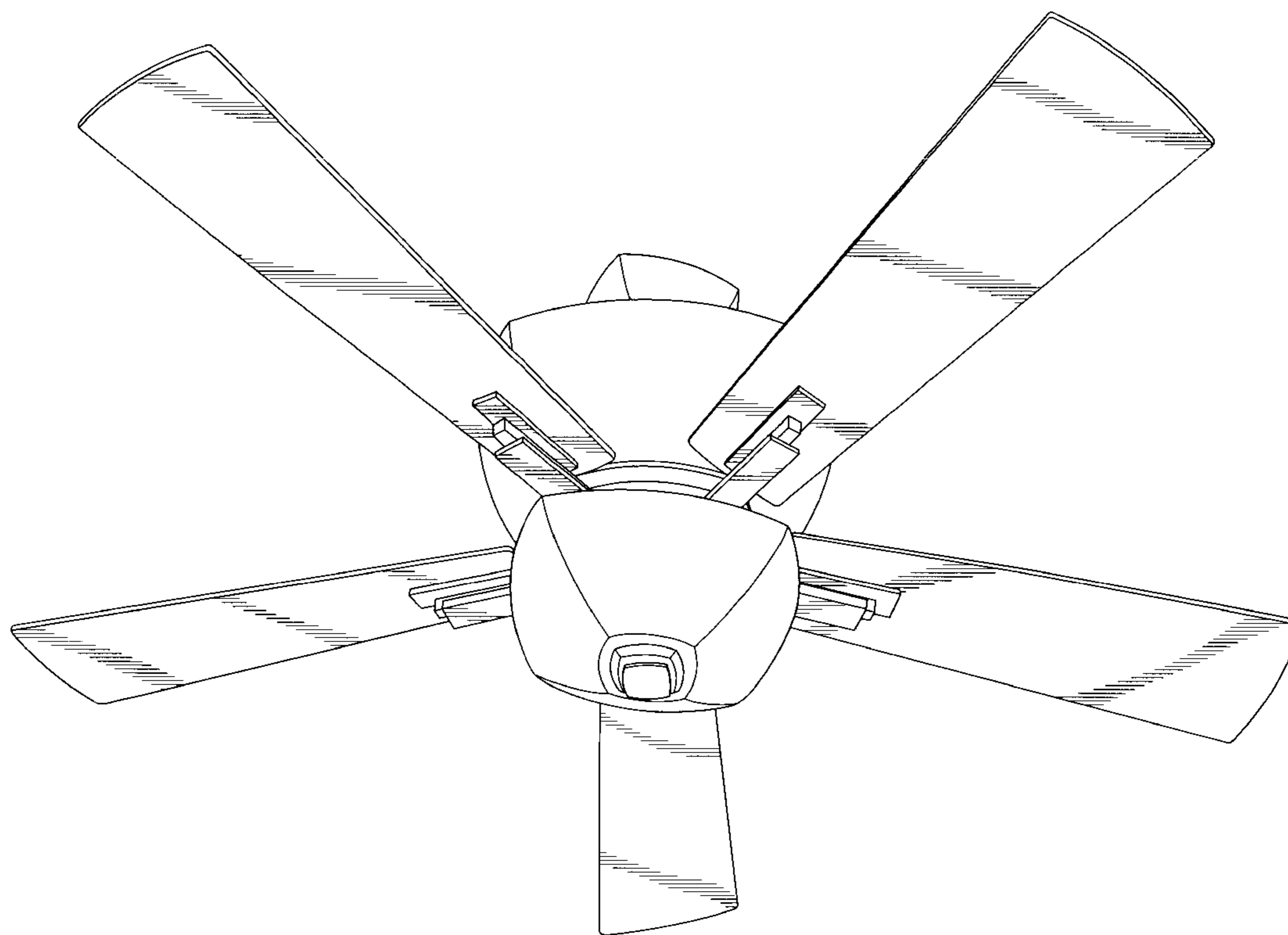
**U.S. PATENT DOCUMENTS**

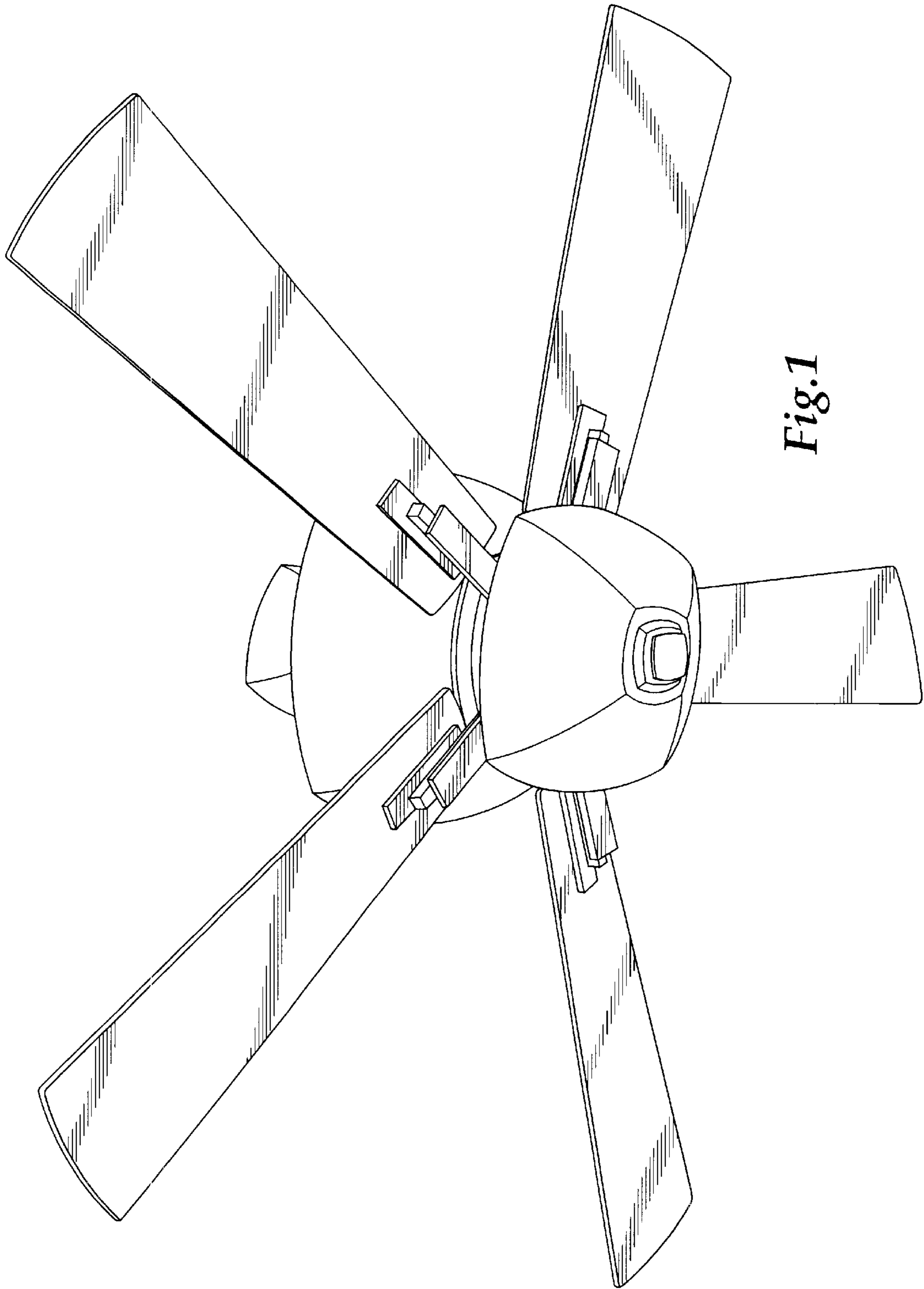
D471,269 S \* 3/2003 Gajewski ..... D23/377  
D519,625 S \* 4/2006 Young ..... D23/377

**OTHER PUBLICATIONS**

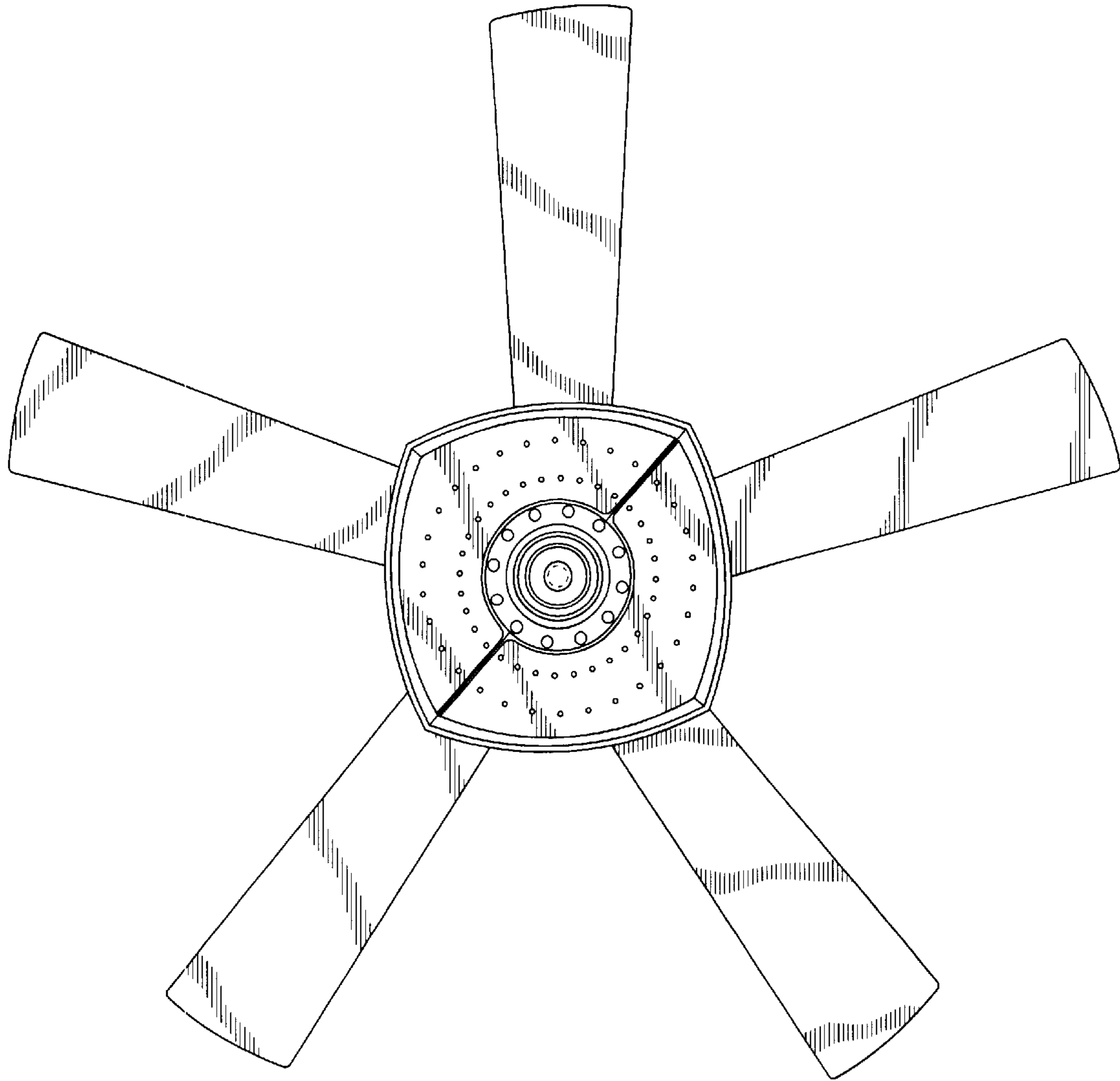
Emerson Internet Catalog; Contours; Model #EMKF140AP; printed from www.fanworksoutlet.com on Apr. 27, 2005.  
Hampton Bay Ceiling Fans; Hampton Bay Ceiling Fans 2004, vol. 2 Catalog; p. 17; Homer TLC, Inc., U.S.A.

**1 Claim, 5 Drawing Sheets**

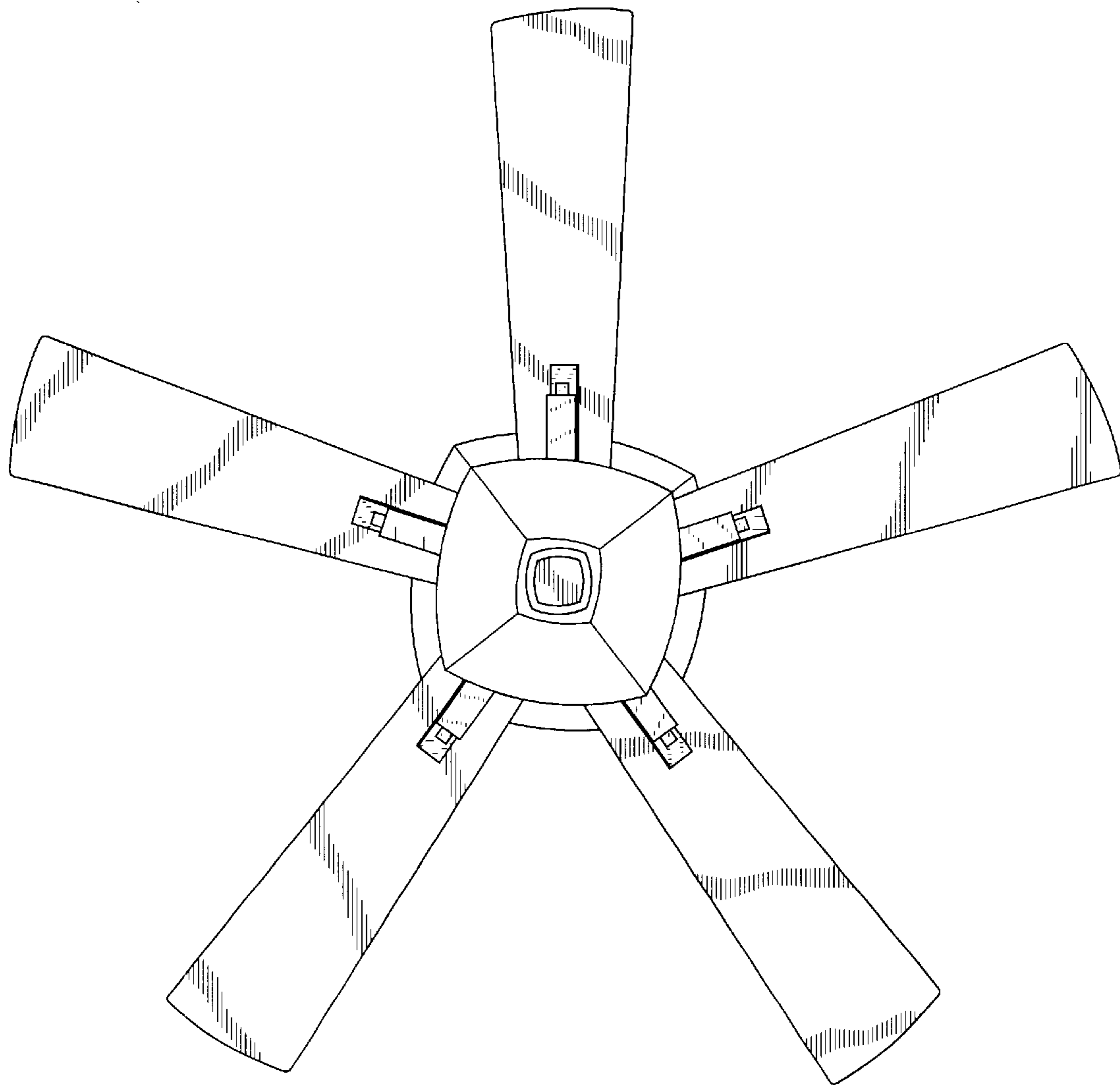




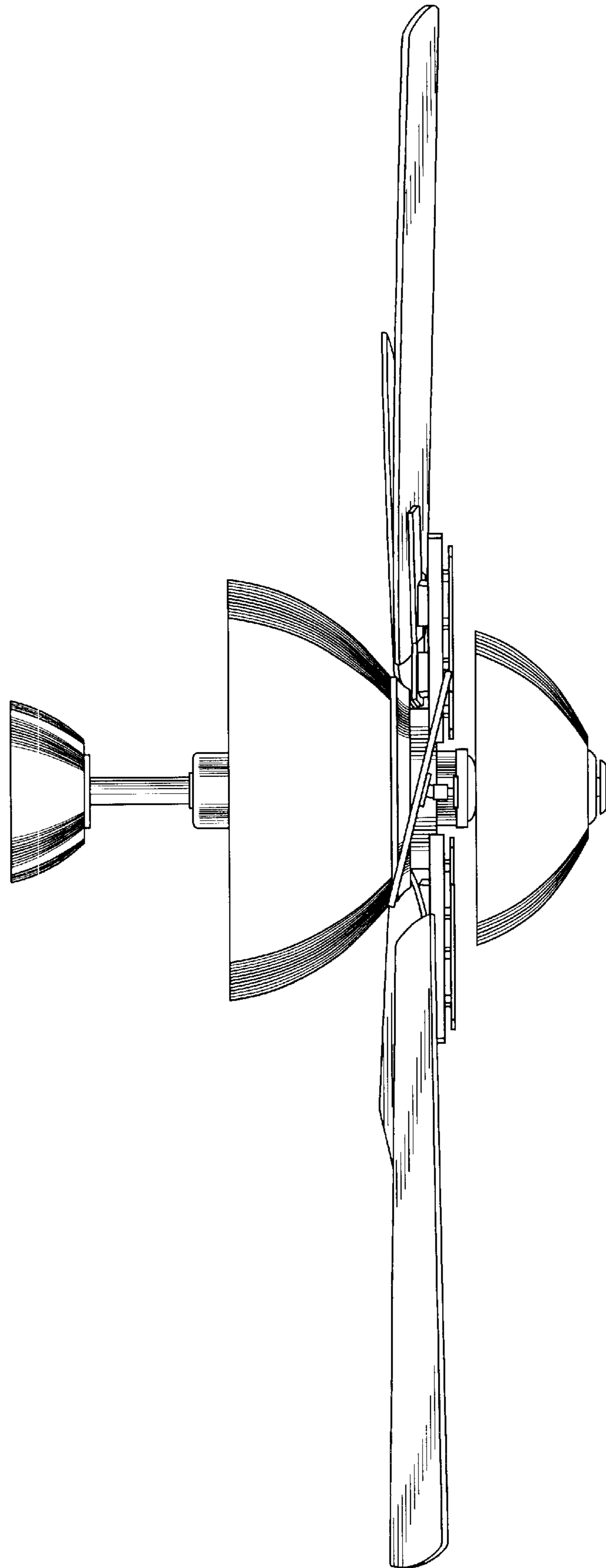
*Fig. 1*



*Fig.2*



*Fig.3*



*Fig.4*

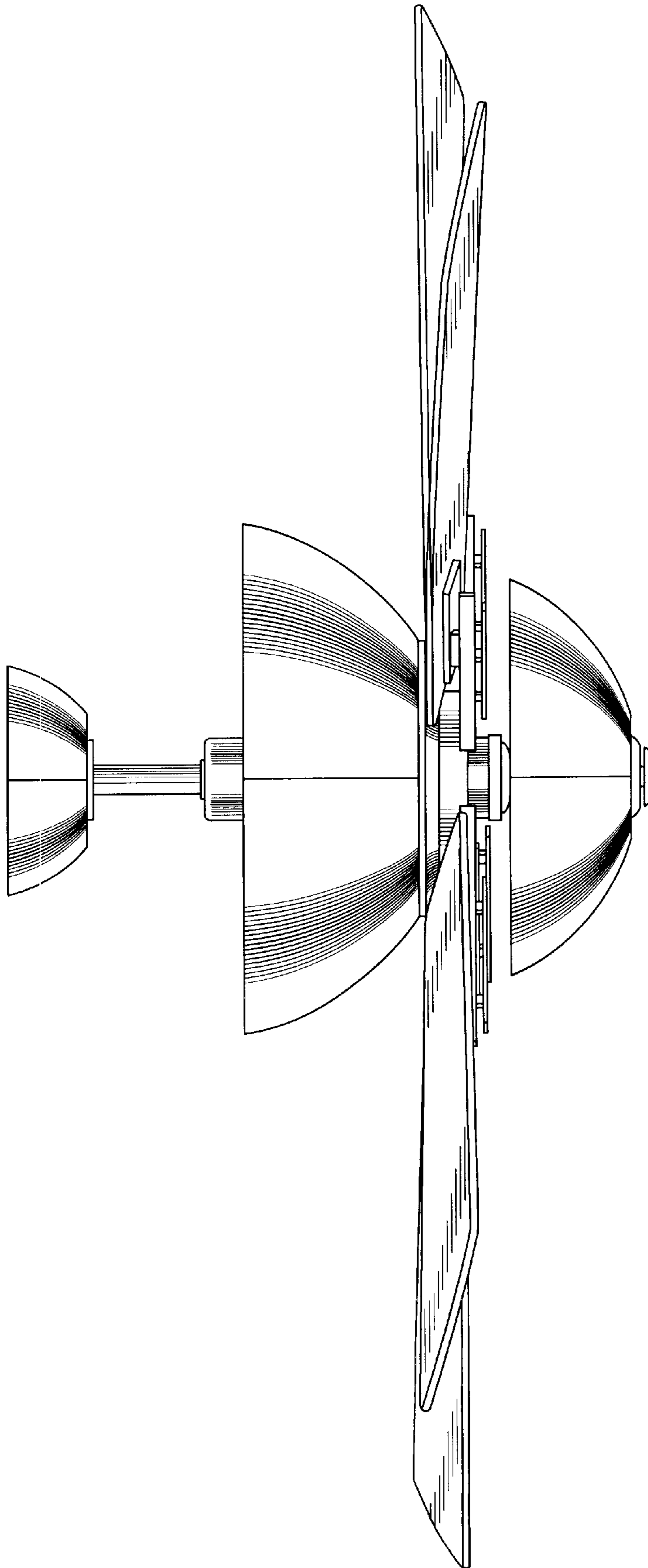


Fig.5