



US00D531297S

(12) **United States Design Patent**  
**Ertze**

(10) **Patent No.:** **US D531,297 S**

(45) **Date of Patent:** **\*\* Oct. 31, 2006**

(54) **COMBINED CEILING FAN AND LIGHT  
FIXTURE**

D426,295 S \* 6/2000 LaSpina et al. .... D23/377  
D485,609 S \* 1/2004 Tai ..... D23/377

(75) Inventor: **Pablo J. Ertze**, Rancho Cucamonga,  
CA (US)

\* cited by examiner

(73) Assignee: **Air Cool Industrial Co., Ltd.**,  
Taichung Hsien (TW)

*Primary Examiner*—Lisa Lichtenstein  
(74) *Attorney, Agent, or Firm*—Troxell Law Office, PLLC

(\*\*) Term: **14 Years**

(57) **CLAIM**

The ornamental design for a combined ceiling fan and light fixture, as shown and described.

(21) Appl. No.: **29/235,803**

(22) Filed: **Aug. 8, 2005**

**DESCRIPTION**

(51) **LOC (8) Cl.** ..... **23-04**

(52) **U.S. Cl.** ..... **D23/377; 23/379; 26/59**

(58) **Field of Classification Search** ..... D23/377,  
D23/379, 385, 411, 413; 416/5; D26/59,  
D26/72, 81–88, 51

FIG. 1 is a perspective view of a combined ceiling fan and light fixture showing my new design;  
FIG. 2 is a front end elevation view thereof;  
FIG. 3 is a rear end elevation view thereof;  
FIG. 4 is a left side elevation view thereof;  
FIG. 5 is a right side elevation view thereof;  
FIG. 6 is a top plan view thereof; and,  
FIG. 7 is a bottom plan view thereof.

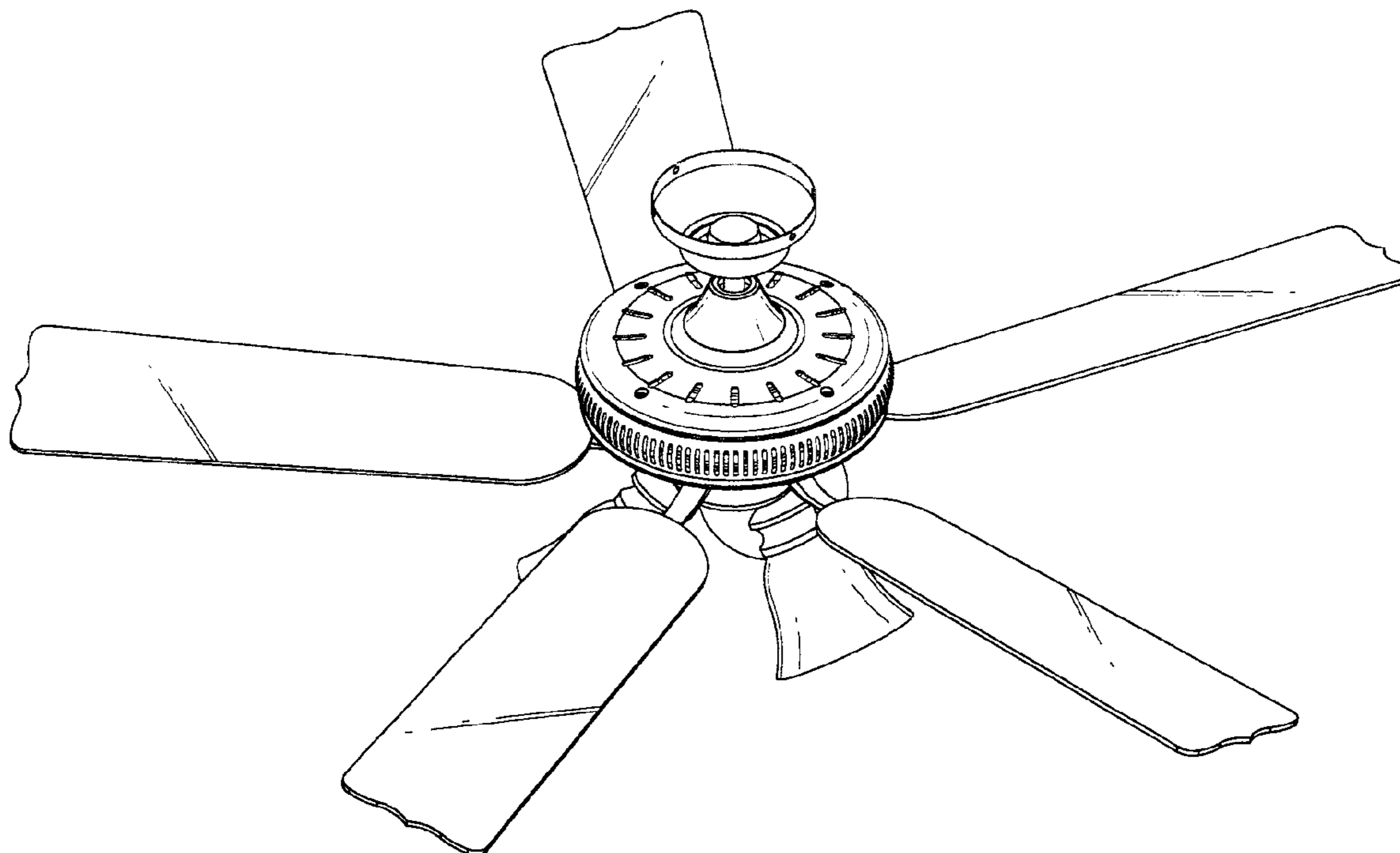
See application file for complete search history.

(56) **References Cited**

**U.S. PATENT DOCUMENTS**

D424,679 S \* 5/2000 LaSpina ..... D23/377

**1 Claim, 5 Drawing Sheets**



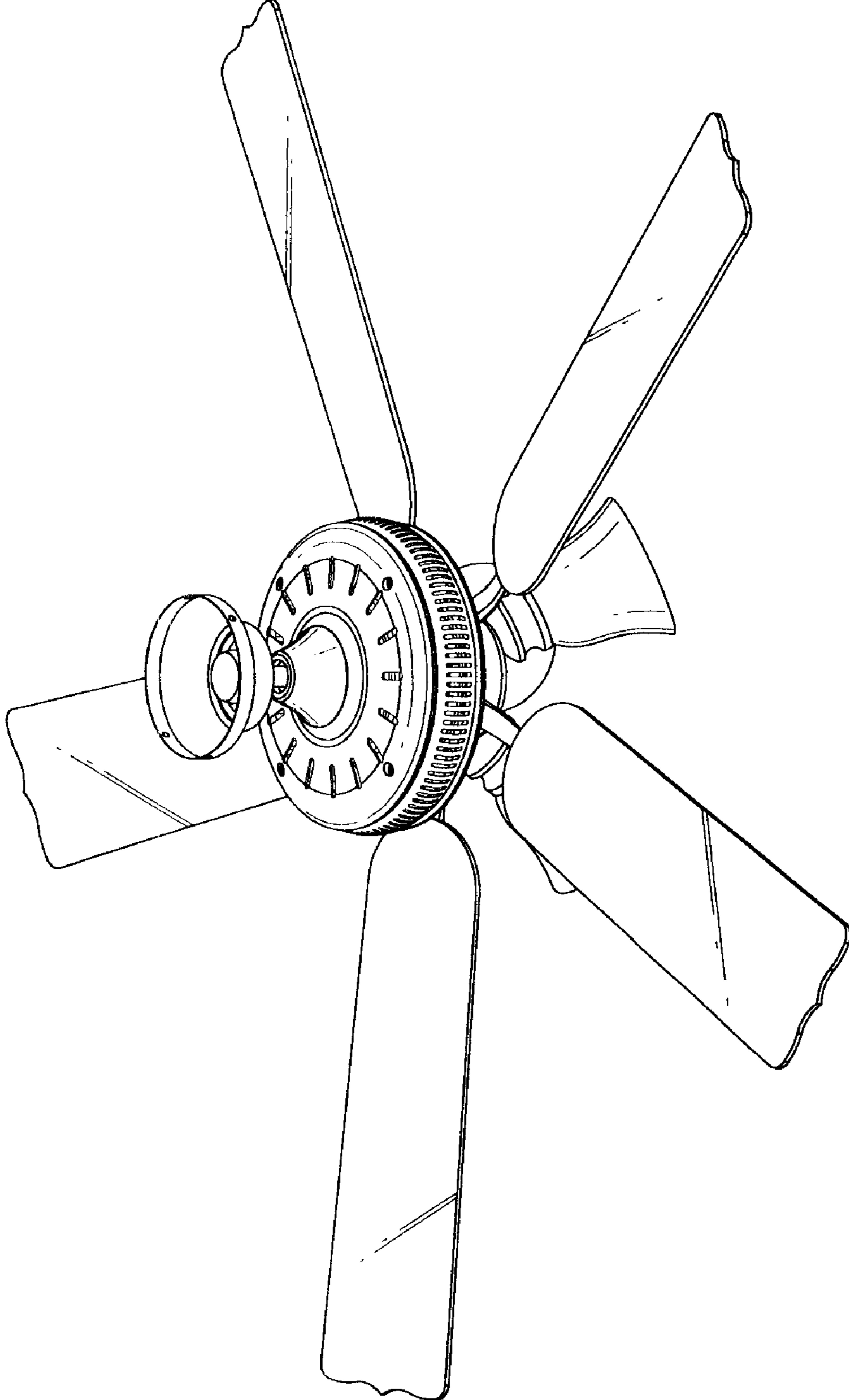


FIG. 1

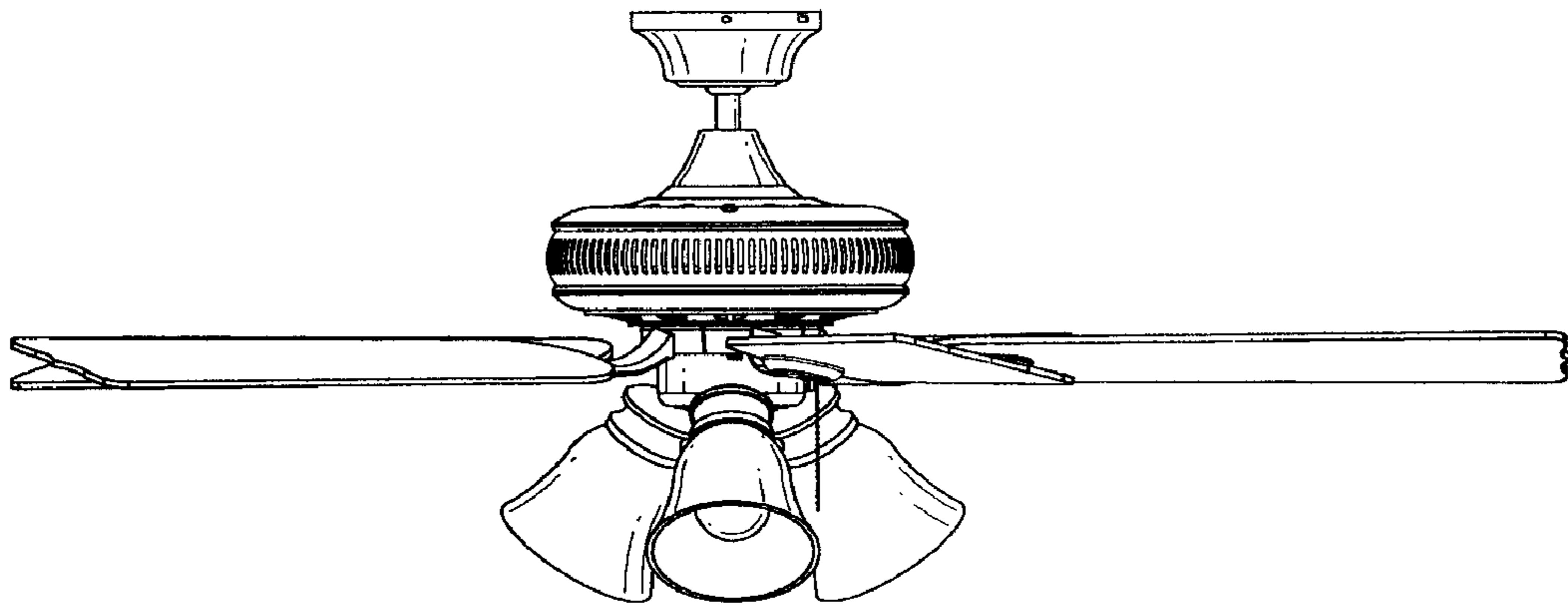


FIG. 2

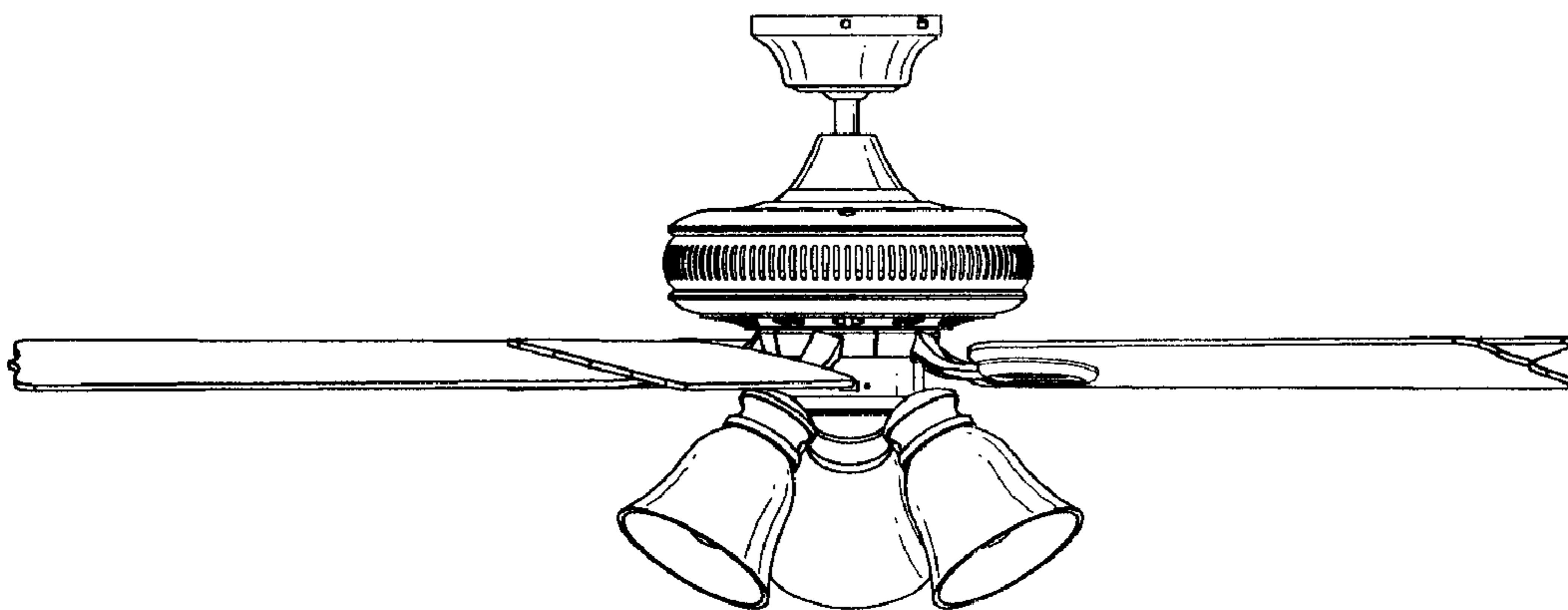


FIG. 3

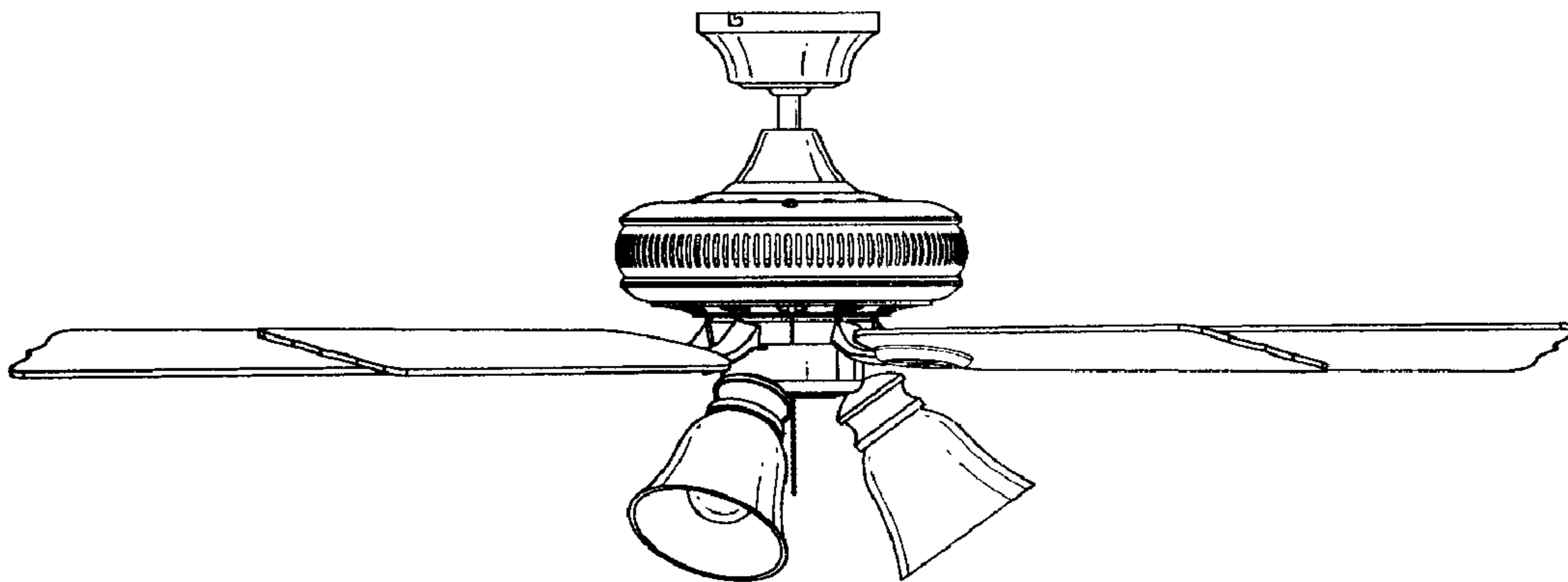


FIG. 4

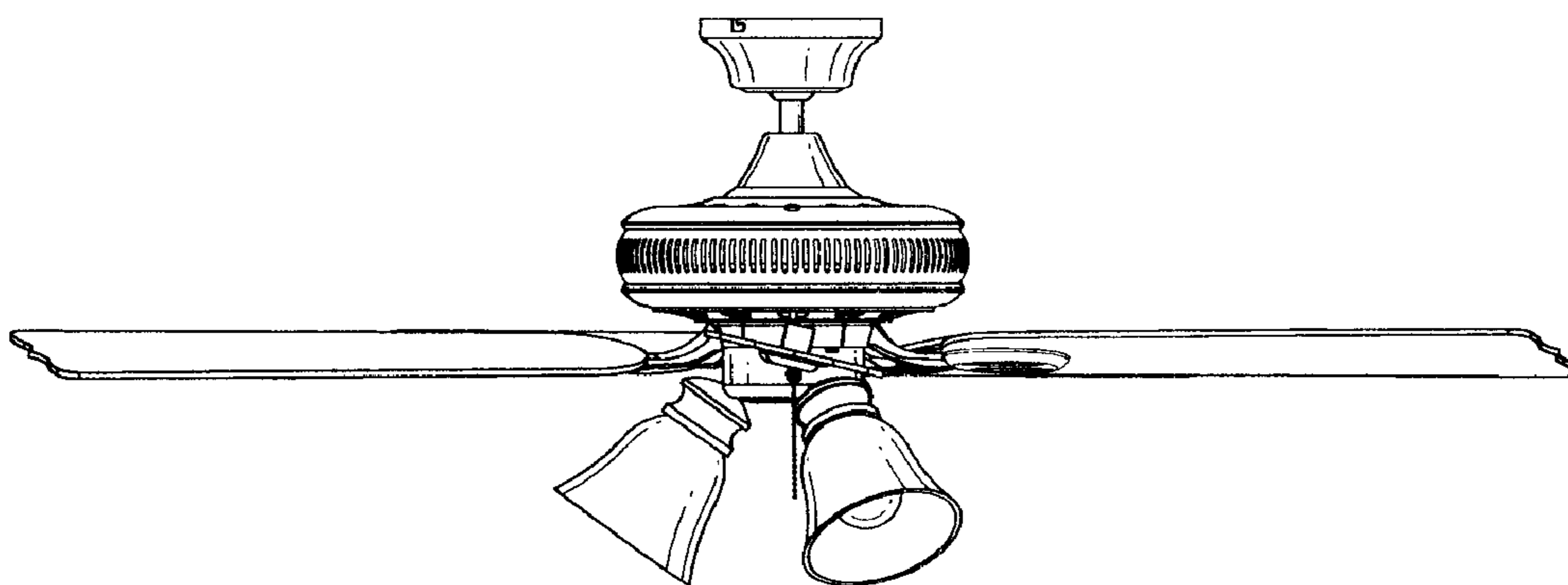


FIG. 5

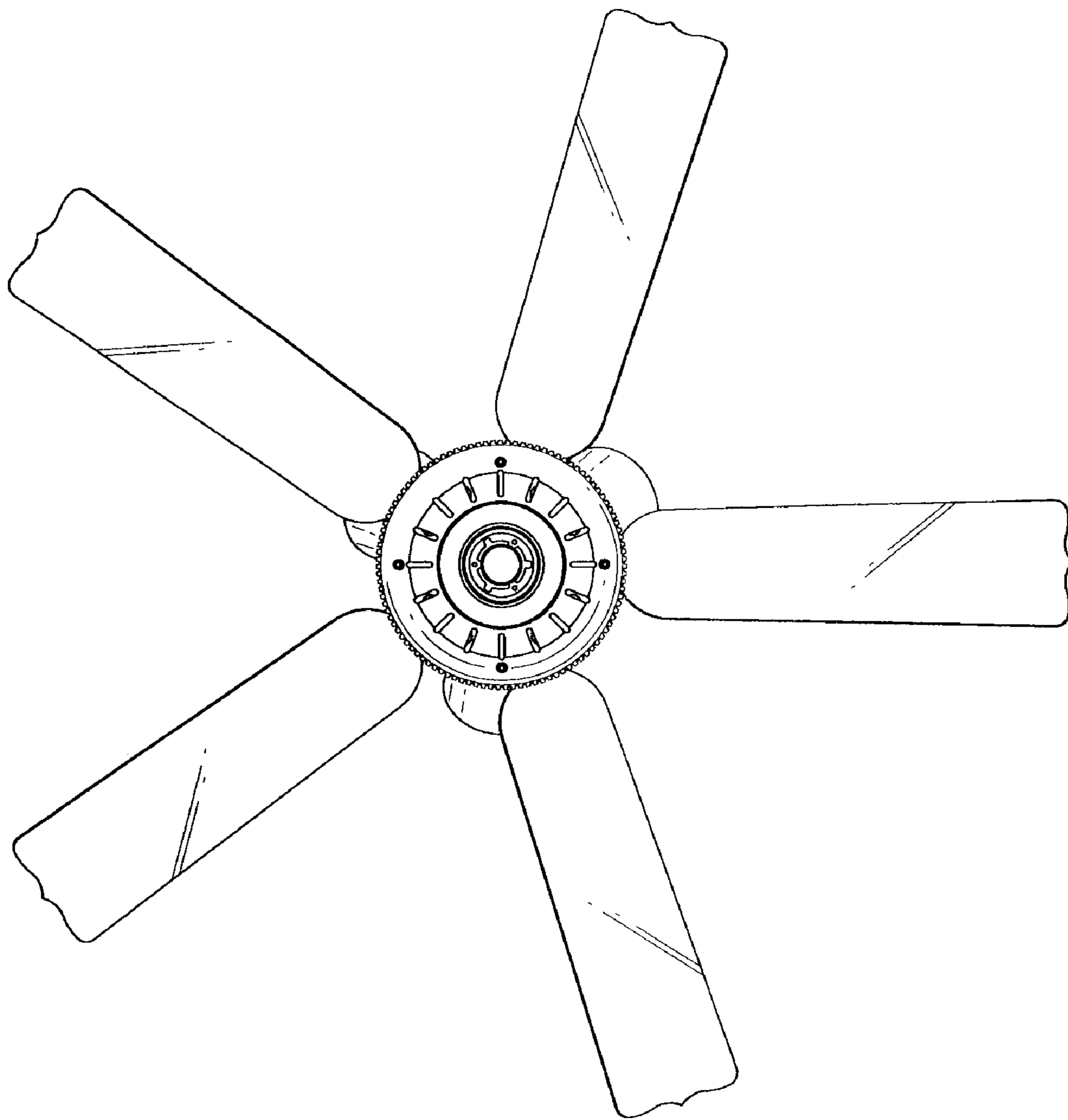


FIG. 6

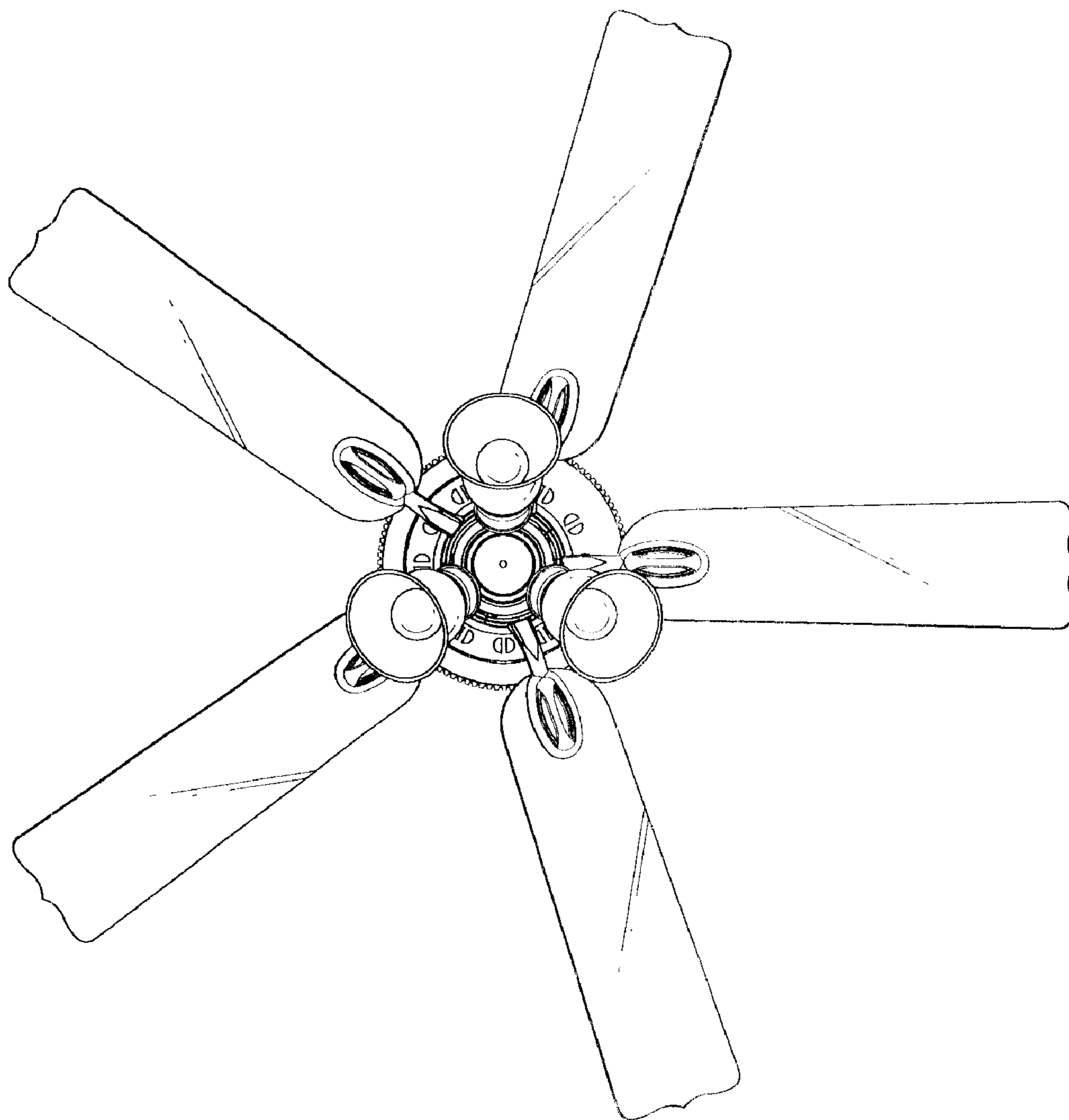


FIG. 7