



US00D531296S

(12) **United States Design Patent**  
**Chen**

(10) **Patent No.:** **US D531,296 S**

(45) **Date of Patent:** **\*\* Oct. 31, 2006**

(54) **DESK TOP SUPPORTED FAN**

(75) Inventor: **Yung Chen**, Clarendon Hills, MI (US)

(73) Assignee: **Squeeze Breeze Circular, a div. of GLJ, LLC**, Chicago, IL (US)

(\*\*) Term: **14 Years**

(21) Appl. No.: **29/222,944**

(22) Filed: **Feb. 4, 2005**

(51) **LOC (8) Cl.** ..... **23-04**

(52) **U.S. Cl.** ..... **D23/370**

(58) **Field of Classification Search** ..... D23/382,  
D23/381, 370; 416/246, 247 R  
See application file for complete search history.

D400,242 S	*	10/1998	Litvin	.....	D23/382
D415,270 S		10/1999	Fok		
D416,081 S	*	11/1999	Lee	.....	D23/378
D429,326 S		8/2000	Fok		
D449,373 S		10/2001	Pinchuk		
D459,460 S	*	6/2002	Melwani	.....	D23/370
D460,542 S	*	7/2002	Li	.....	D23/328
6,682,308 B1		1/2004	Fei et al.	.....	416/246
D510,994 S	*	10/2005	Indio Da Costa	.....	D23/382

\* cited by examiner

*Primary Examiner*—Lisa Lichtenstein

(74) *Attorney, Agent, or Firm*—Gifford, Krass, Groh Sprinkle, Anderson & Citkowski, P.C.

(57) **CLAIM**

The ornamental design for a desk top supported fan, as shown and described.

(56) **References Cited**

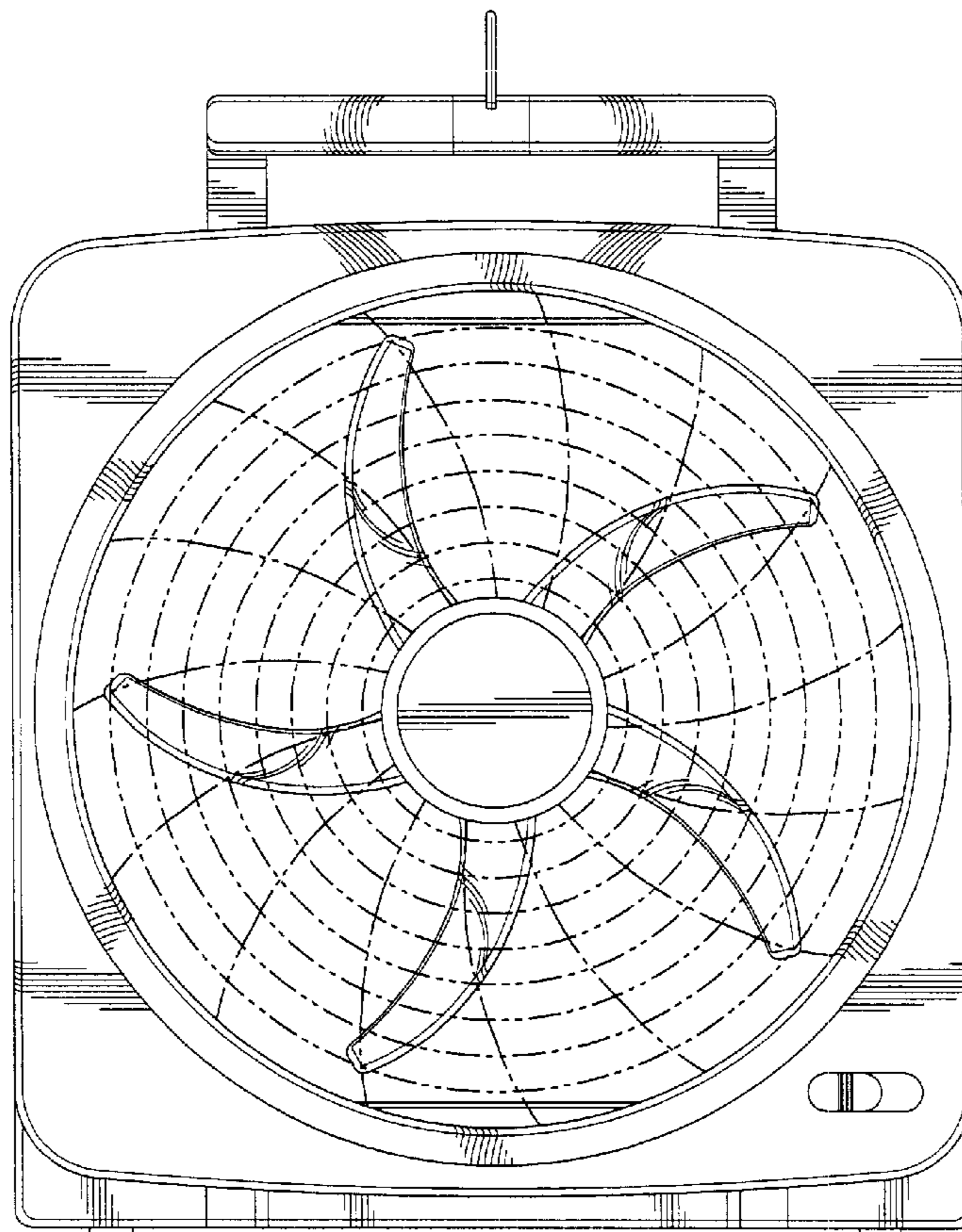
U.S. PATENT DOCUMENTS

4,341,151 A	7/1982	Sakamoto	.....	98/94 R
D306,903 S	3/1990	Shin-Chin		
5,547,343 A	8/1996	Jane et al.	.....	416/246
D386,565 S	11/1997	Jane et al.		
D387,151 S	12/1997	Fok		
D387,153 S	12/1997	Fok		
D390,947 S	2/1998	Fok		

**DESCRIPTION**

FIG. 1 is a front view of the desk top supported fan of the present design;  
FIG. 2 is a rear view of the present design;  
FIG. 3 is a right side view of the present design, a corresponding left side view being a mirror image thereof; and, FIG. 4 is a top view of the present design.

**1 Claim, 4 Drawing Sheets**



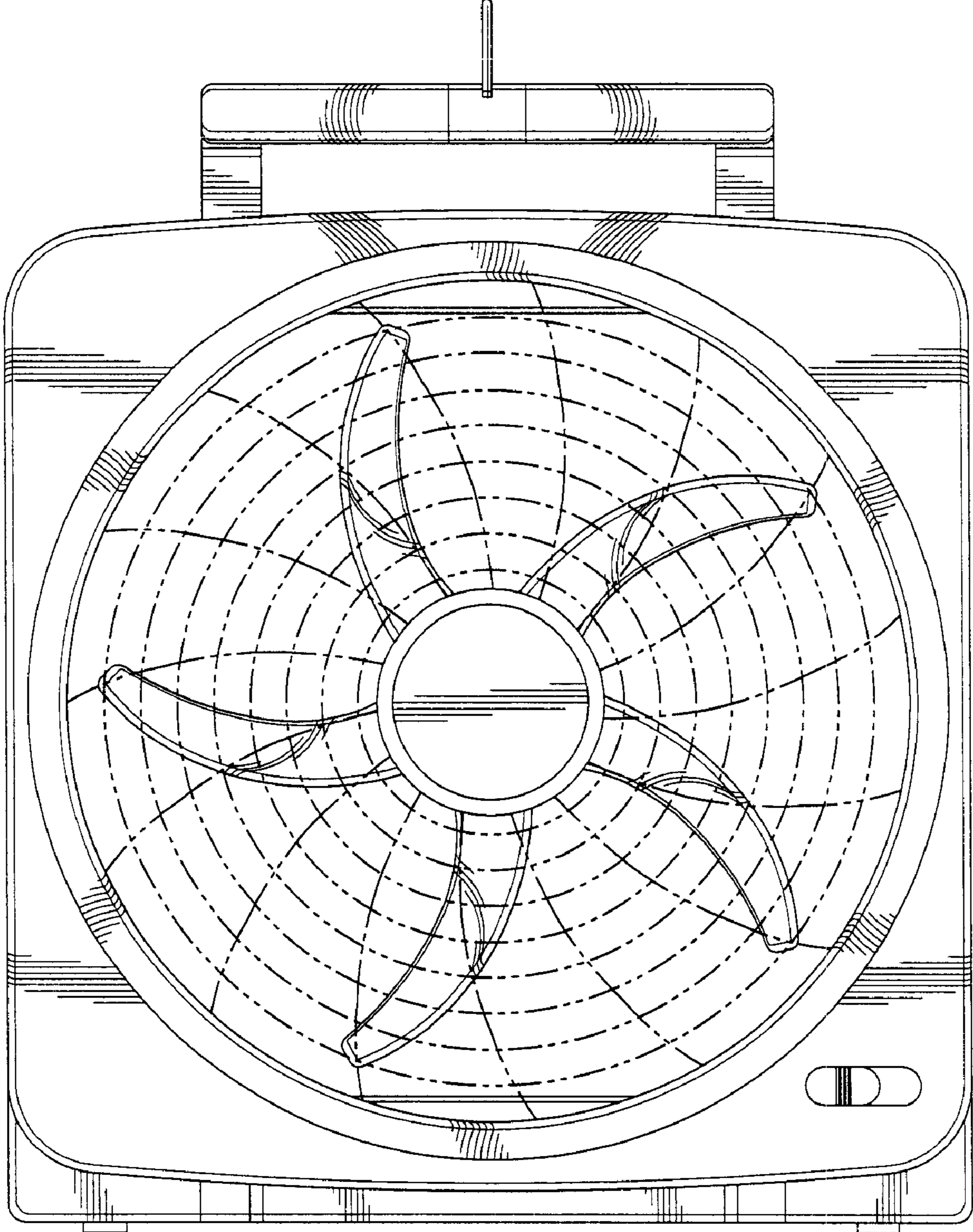


Fig-1

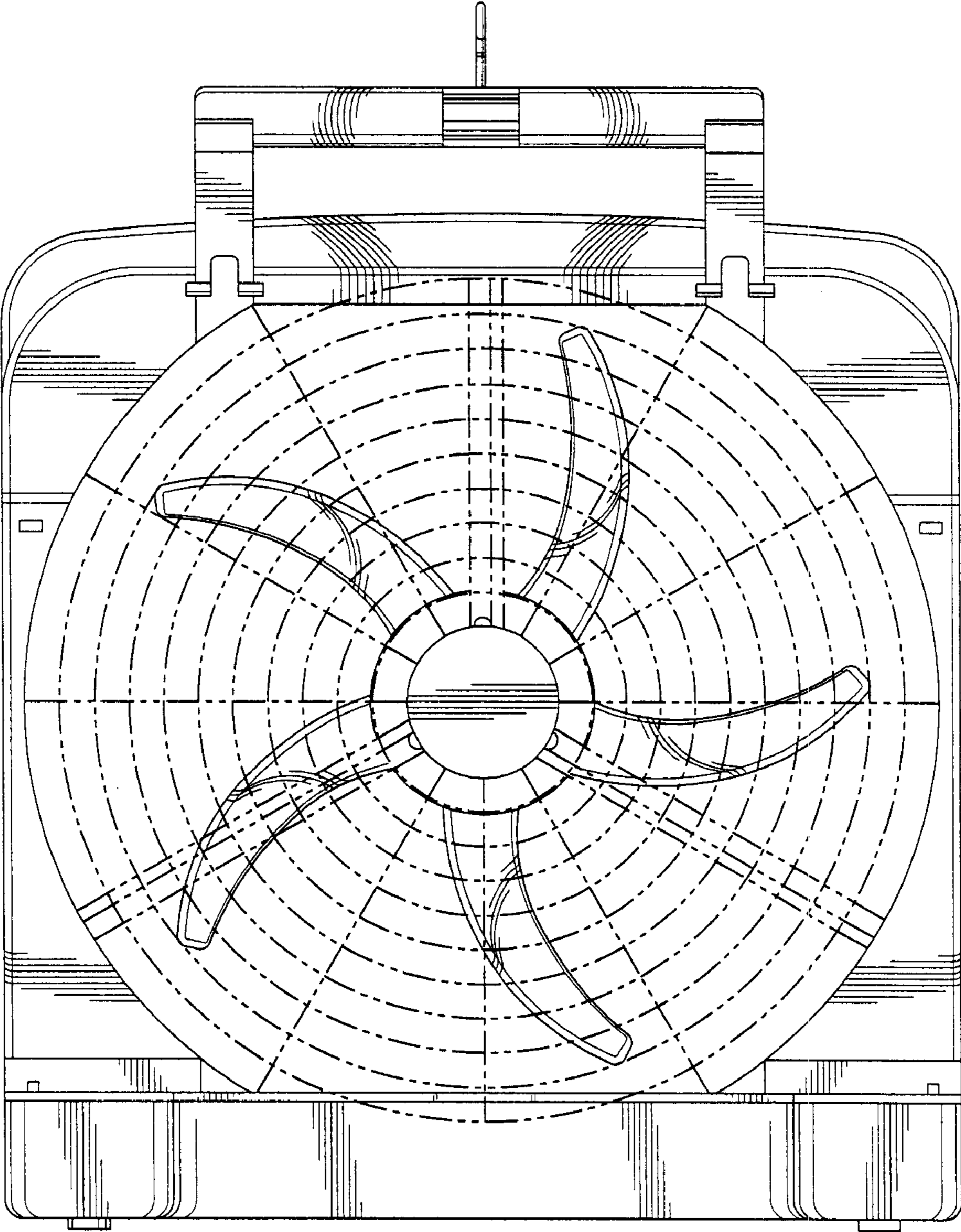


Fig-2

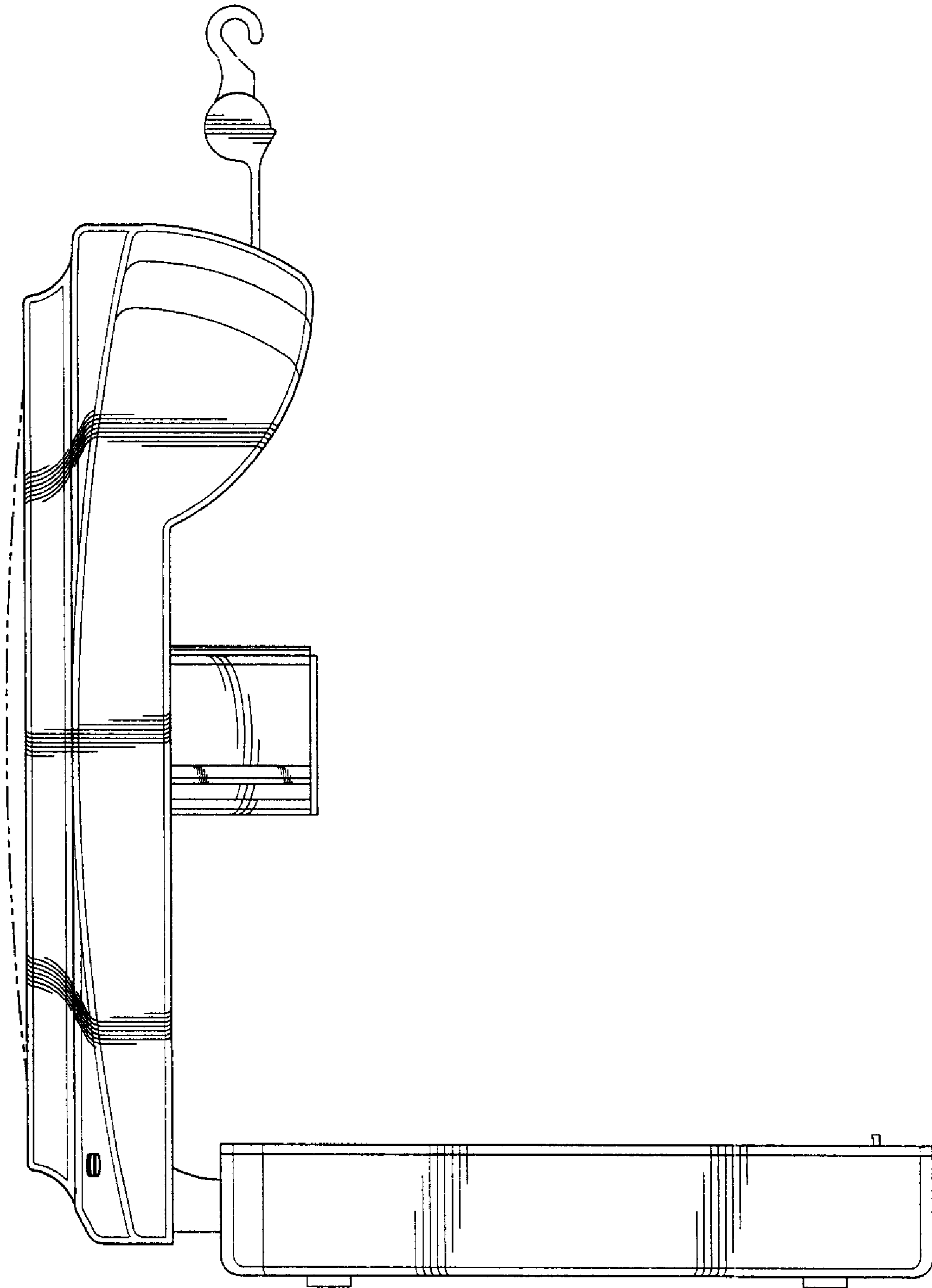


Fig-3

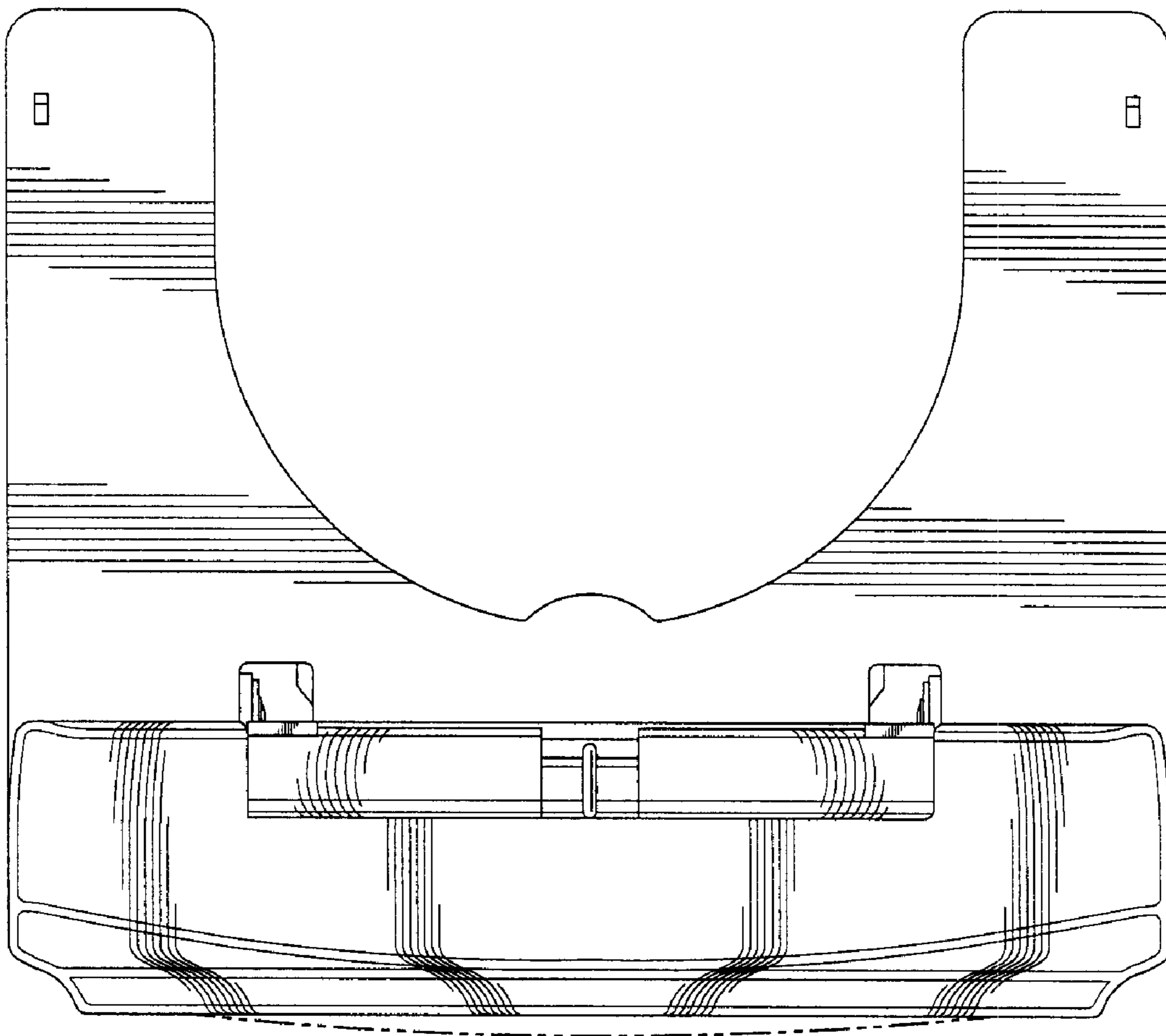


Fig-4