

US00D531288S

(12) **United States Design Patent**
Soulier

(10) **Patent No.:** **US D531,288 S**

(45) **Date of Patent:** **** Oct. 31, 2006**

(54) **BASE FOR A WATER CLOSET**

(75) Inventor: **Jean-Hugues Soulier**, Vaucresson (FR)

(73) Assignee: **Kohler France SAS**, Paris (FR)

(**) Term: **14 Years**

(21) Appl. No.: **29/257,820**

(22) Filed: **Apr. 11, 2006**

Related U.S. Application Data

(62) Division of application No. 29/220,866, filed on Jan. 7, 2005, now Pat. No. Des. 523,041.

(51) **LOC (8) Cl.** **23-02**

(52) **U.S. Cl.** **D23/295**

(58) **Field of Classification Search** 4/663-664,
4/300, 329, 420, 443, 661, DIG. 15; D23/270,
D23/273-274, 295, 299, 301, 303, 309
See application file for complete search history.

(56) **References Cited**

U.S. PATENT DOCUMENTS

D211,728 S	7/1968	Armstrong	D23/295
D288,587 S	3/1987	Stairs, Jr.	D23/295
D288,588 S	3/1987	Stairs, Jr.	D23/295
D288,591 S	3/1987	Stairs, Jr.	D23/295
4,672,689 A	6/1987	Heinze et al.	4/661
D445,884 S	7/2001	Marshall et al.	D23/295
D453,555 S	2/2002	Tako	D23/295

OTHER PUBLICATIONS

Bathroom Express, "Join WC Pan, Seat & Cistern", web page from www.bathroomexpress.co.uk, dated Oct. 18, 2004.

DELAFON, "The bare essentials;", catalog page.

Victorian Bathrooms, web page from www.victorianbathrooms.com, dated Oct. 18, 2004.

BATHSTORE, web page from www.bathroom.com, dated Oct. 21, 2004.

Primary Examiner—Robert A. Delehanty

(74) *Attorney, Agent, or Firm*—Quarles & Brady LLP

(57) **CLAIM**

The ornamental design for a base for a water closet, as shown and described.

DESCRIPTION

In a preferred embodiments, the nature of this product is as a plumbing fixture in the form of a base for a water closet. FIG. 1 is a left, top, front perspective view of a plumbing fixture according to my new design;

FIG. 2 is a left side elevational view thereof, the right side elevational view thereof being a mirror image of the left side shown;

FIG. 3 is a top plan view thereof;

FIG. 4 is a front elevational view thereof;

FIG. 5 is a top, left, front perspective view of another embodiment of a base suitable for use with the water closet having a more elongated bowl;

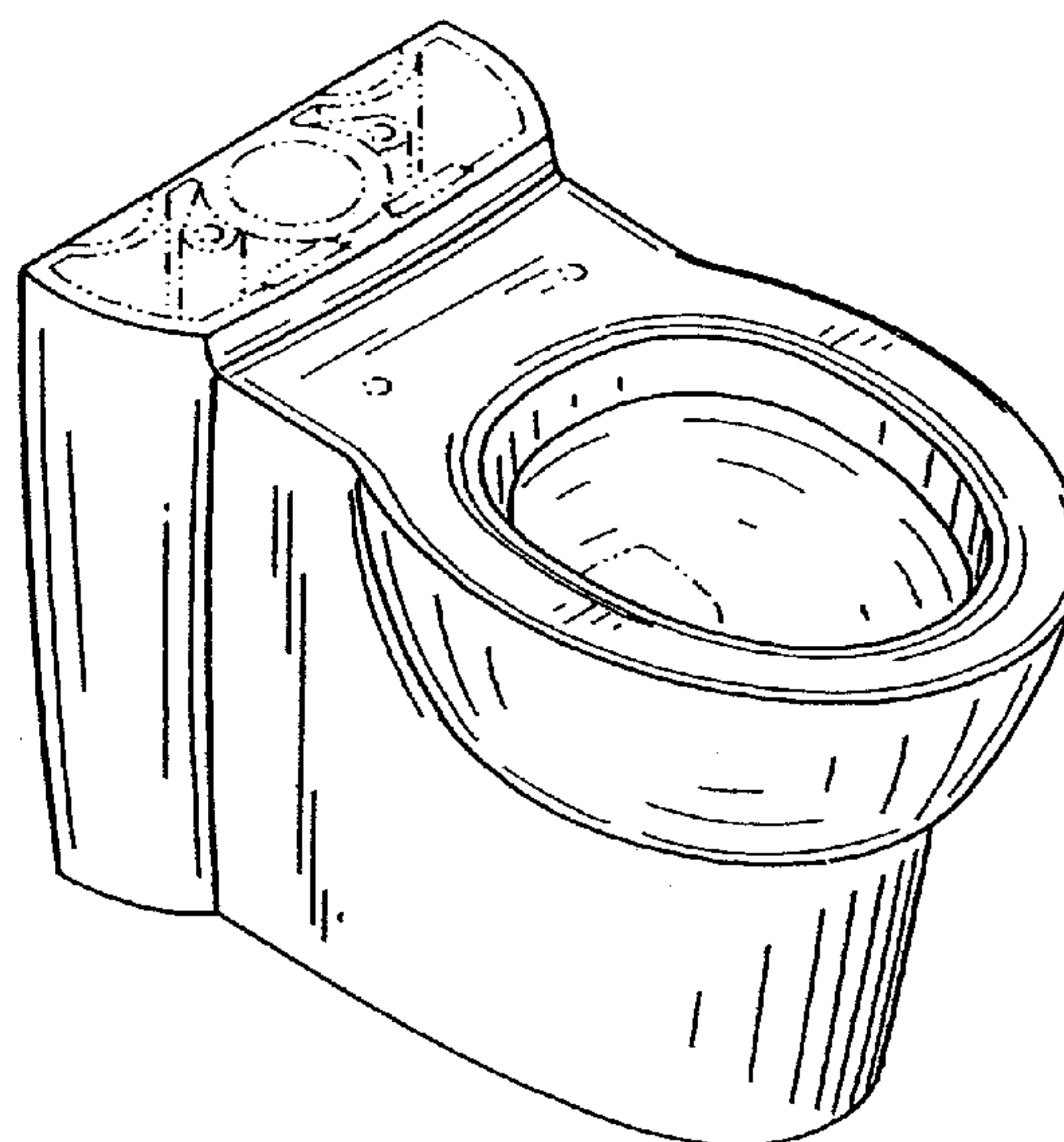
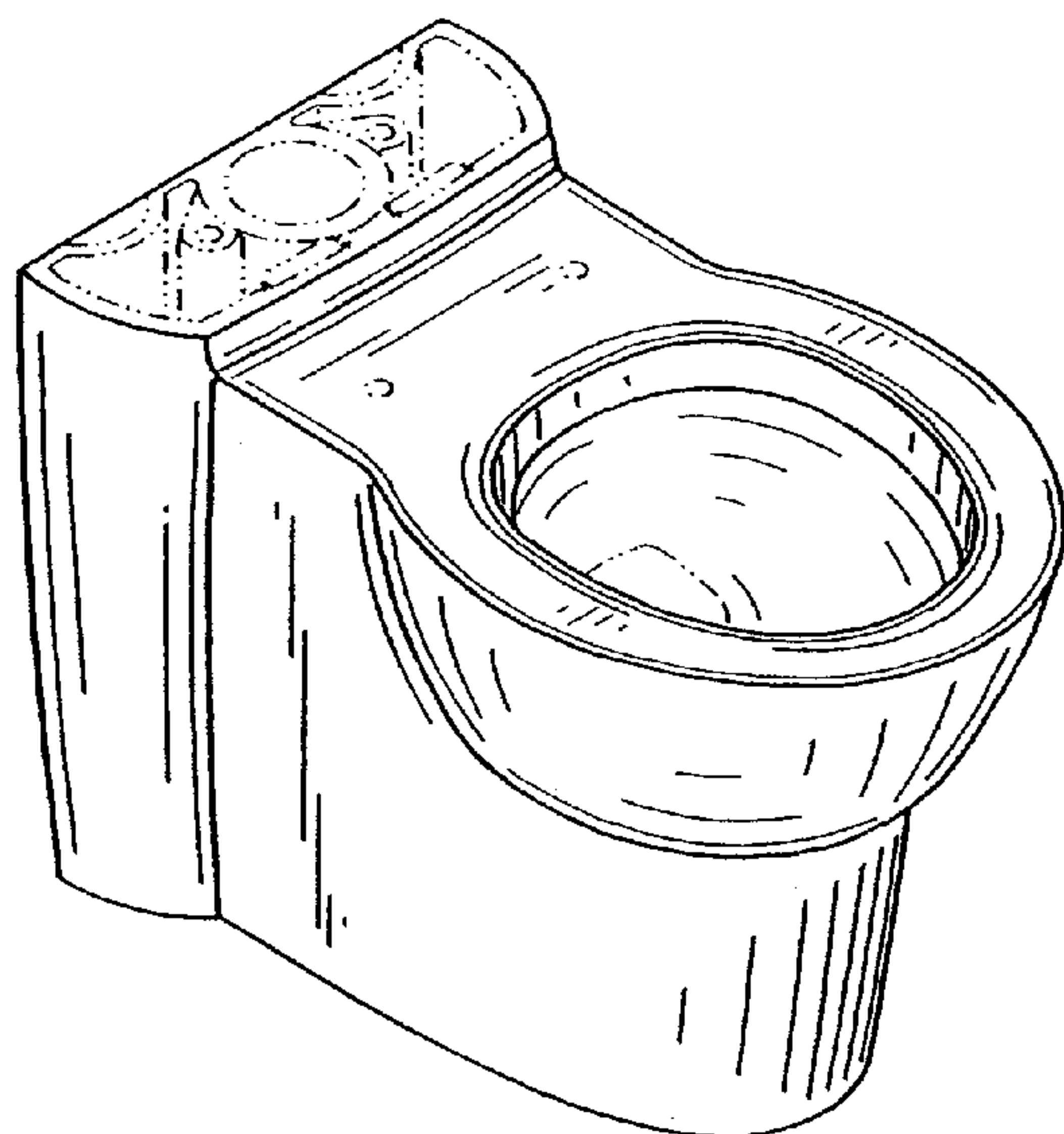
FIG. 6 is a left side elevational view thereof; the right side elevational view thereof being a mirror image of the left side shown;

FIG. 7 is a top plan view thereof; and,

FIG. 8 is a front elevational view thereof.

The broken line representations of openings in FIGS. 1, 3, 5 and 7 and interior structure in FIGS. 1, 3, 5 and 7 are for the purpose of illustration only, and form no part of the claimed design. The rear elevational and bottom plan views are not shown in the embodiments of FIGS. 1-8 since they are not seen in normal use.

1 Claim, 4 Drawing Sheets



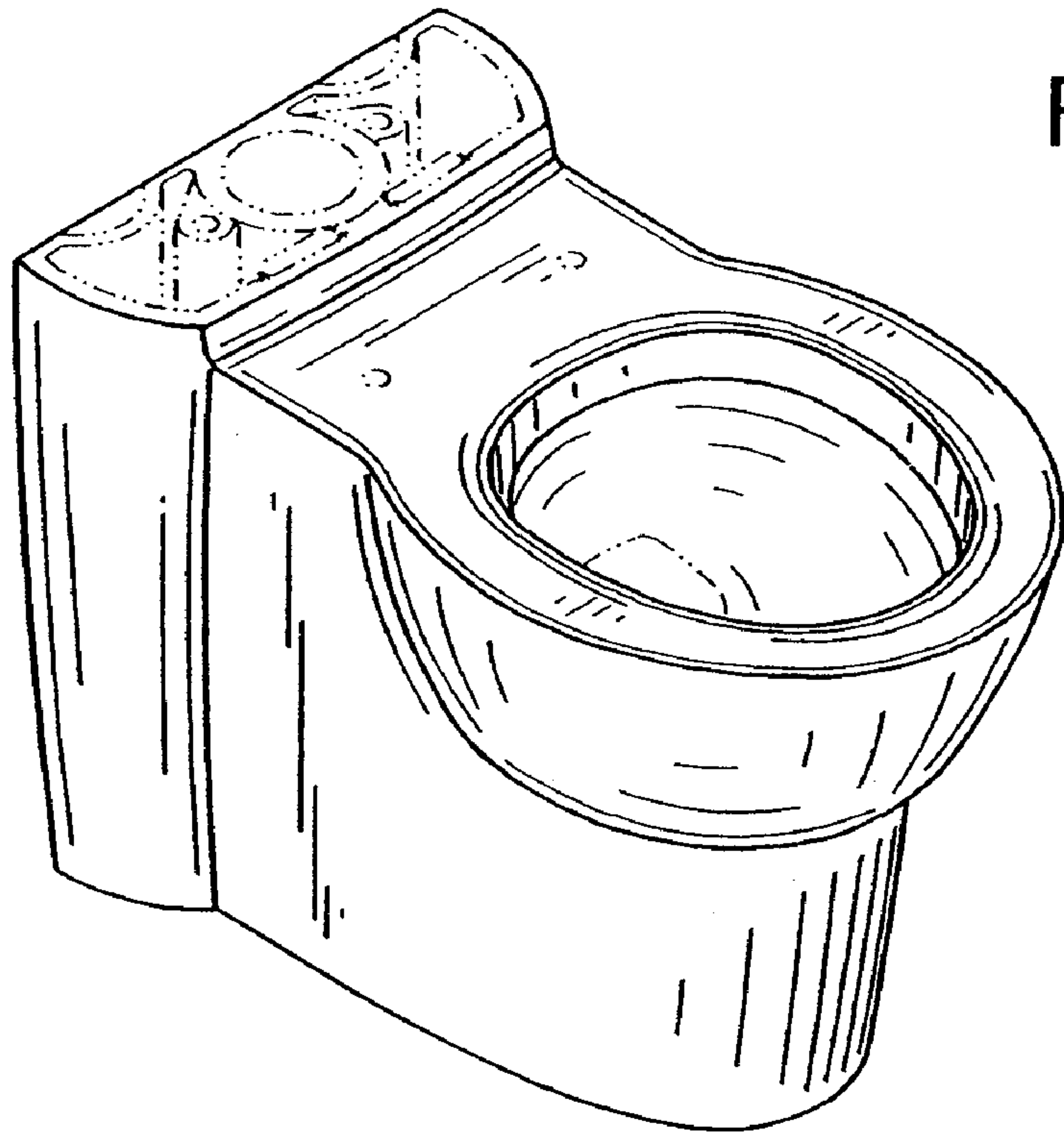


FIG. 1

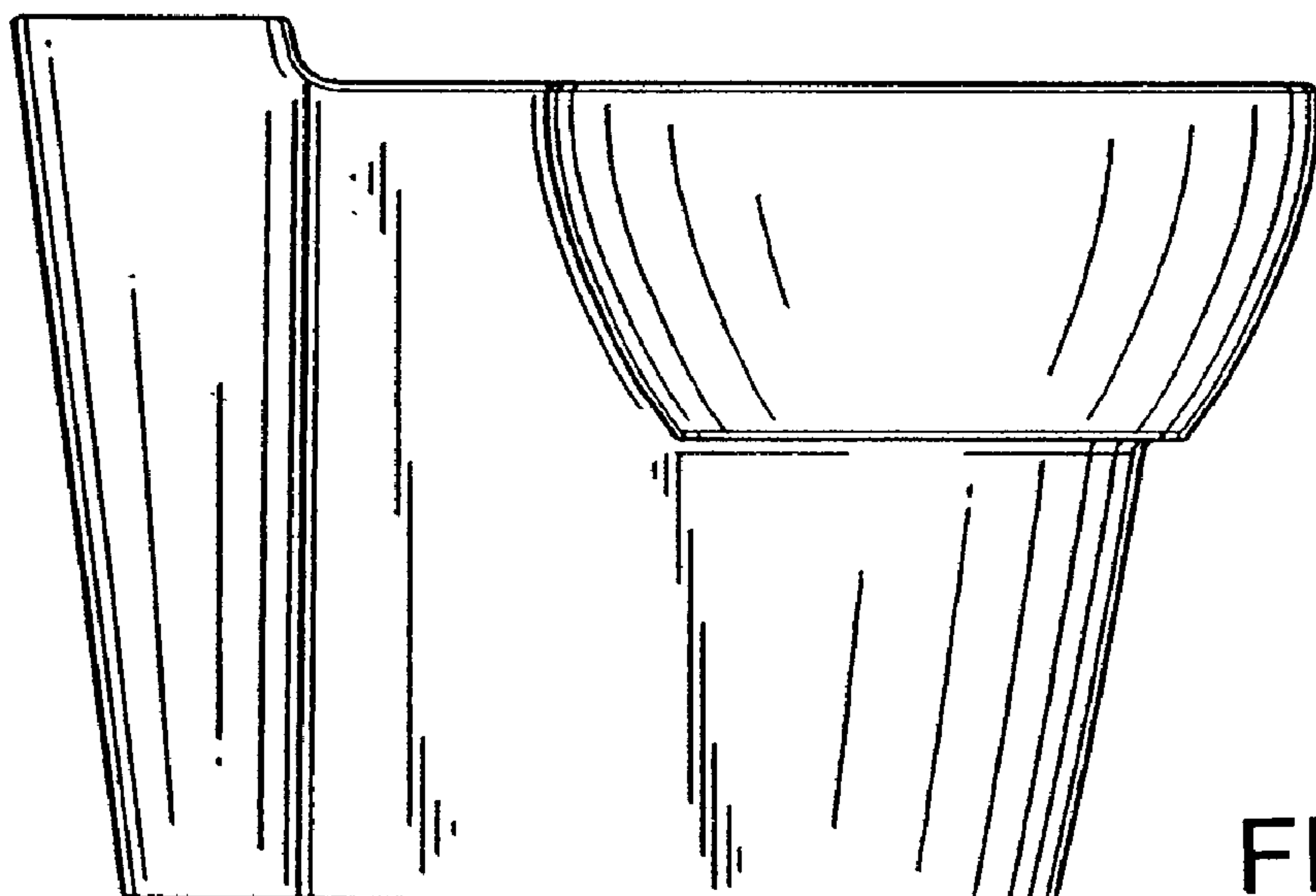


FIG. 2

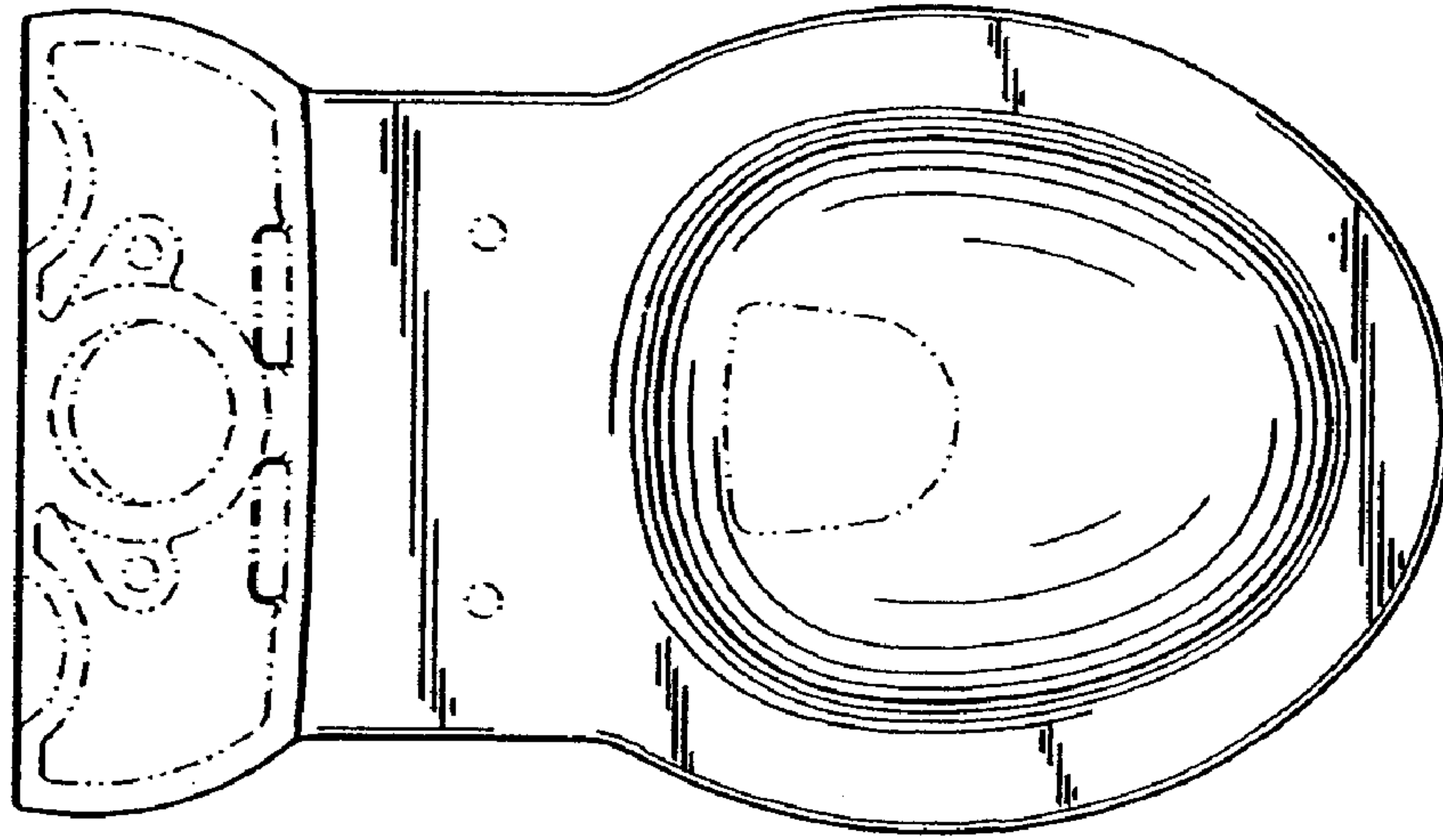
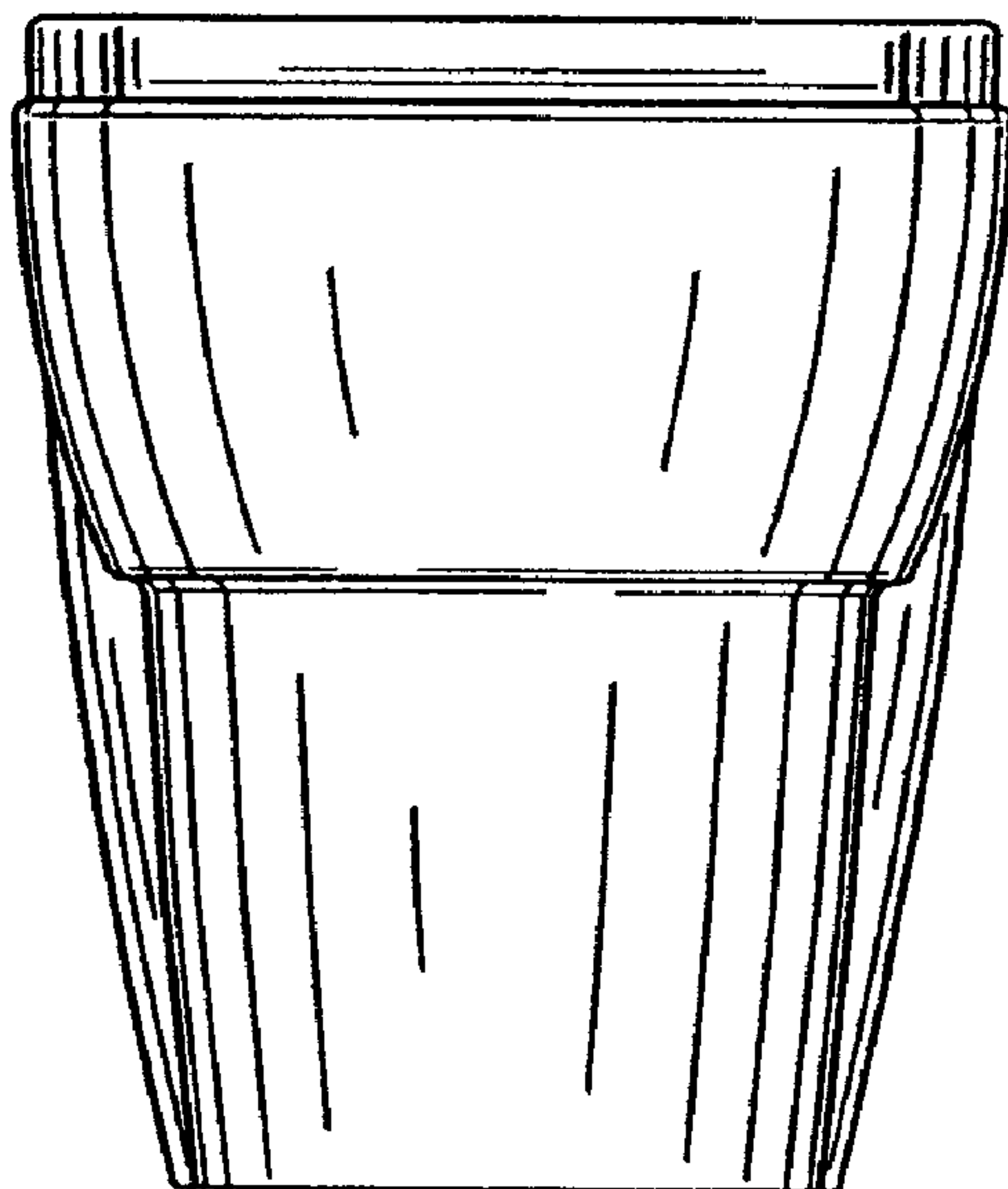


FIG. 3

FIG. 4



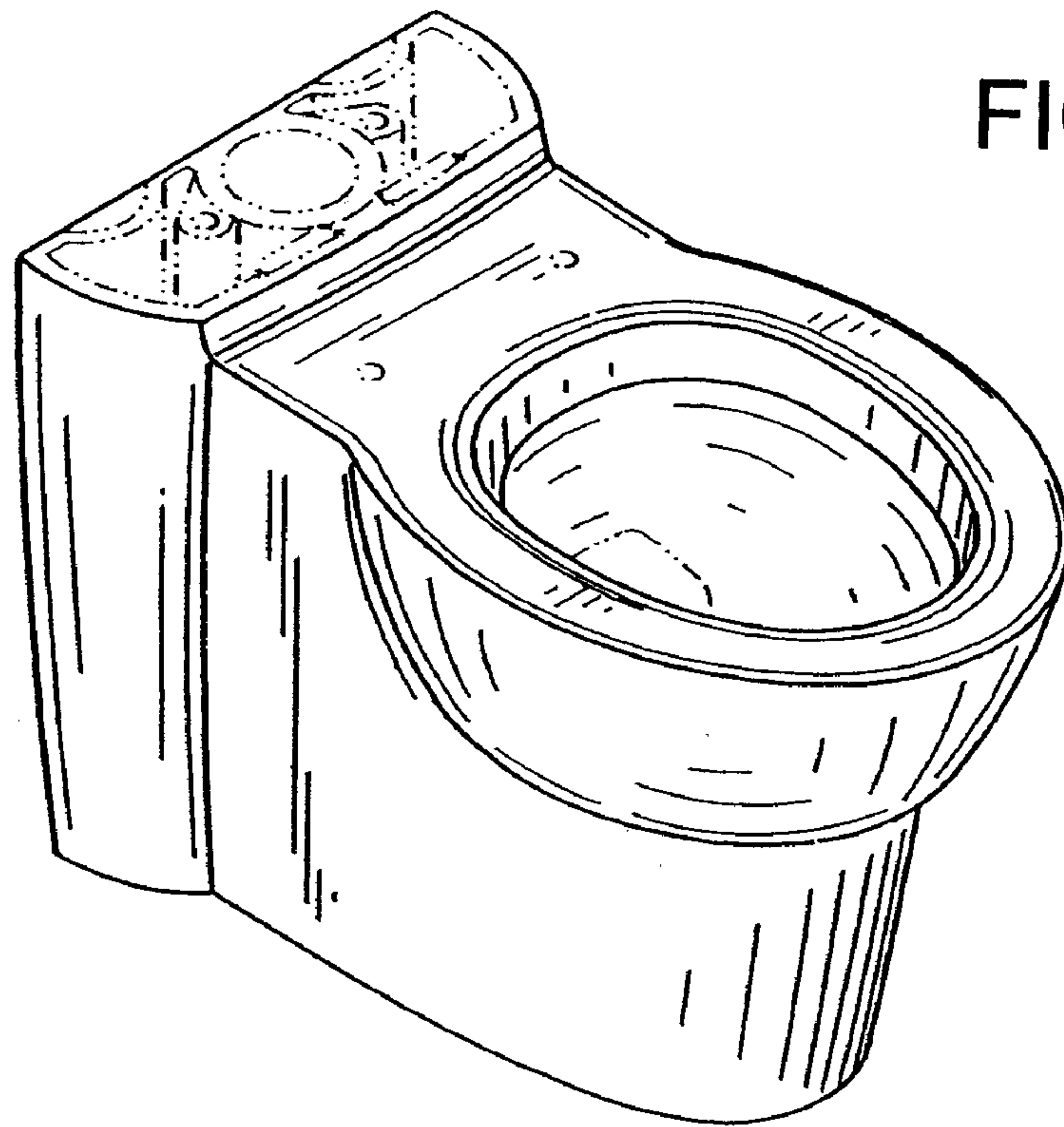
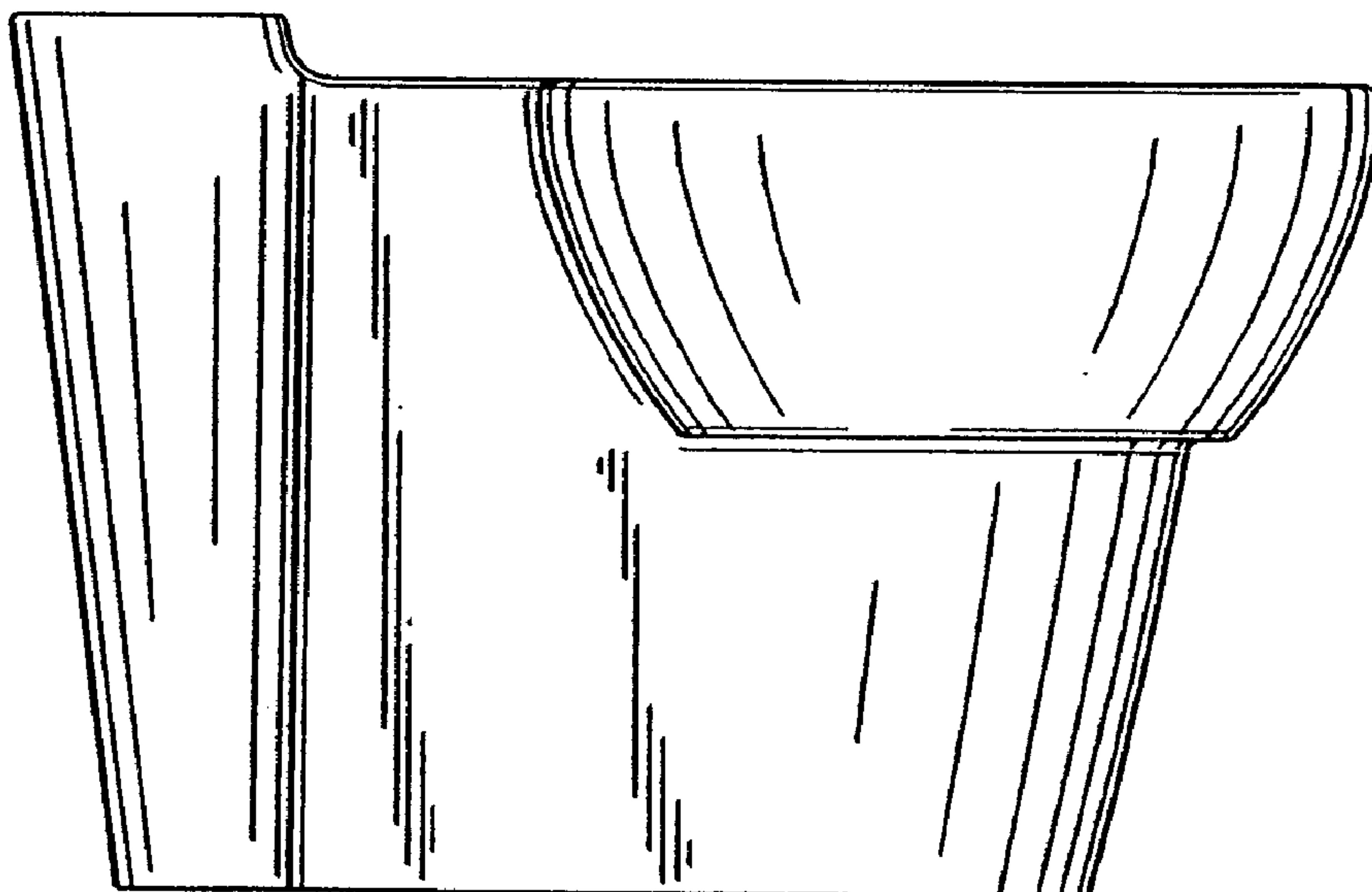


FIG. 5

FIG. 6



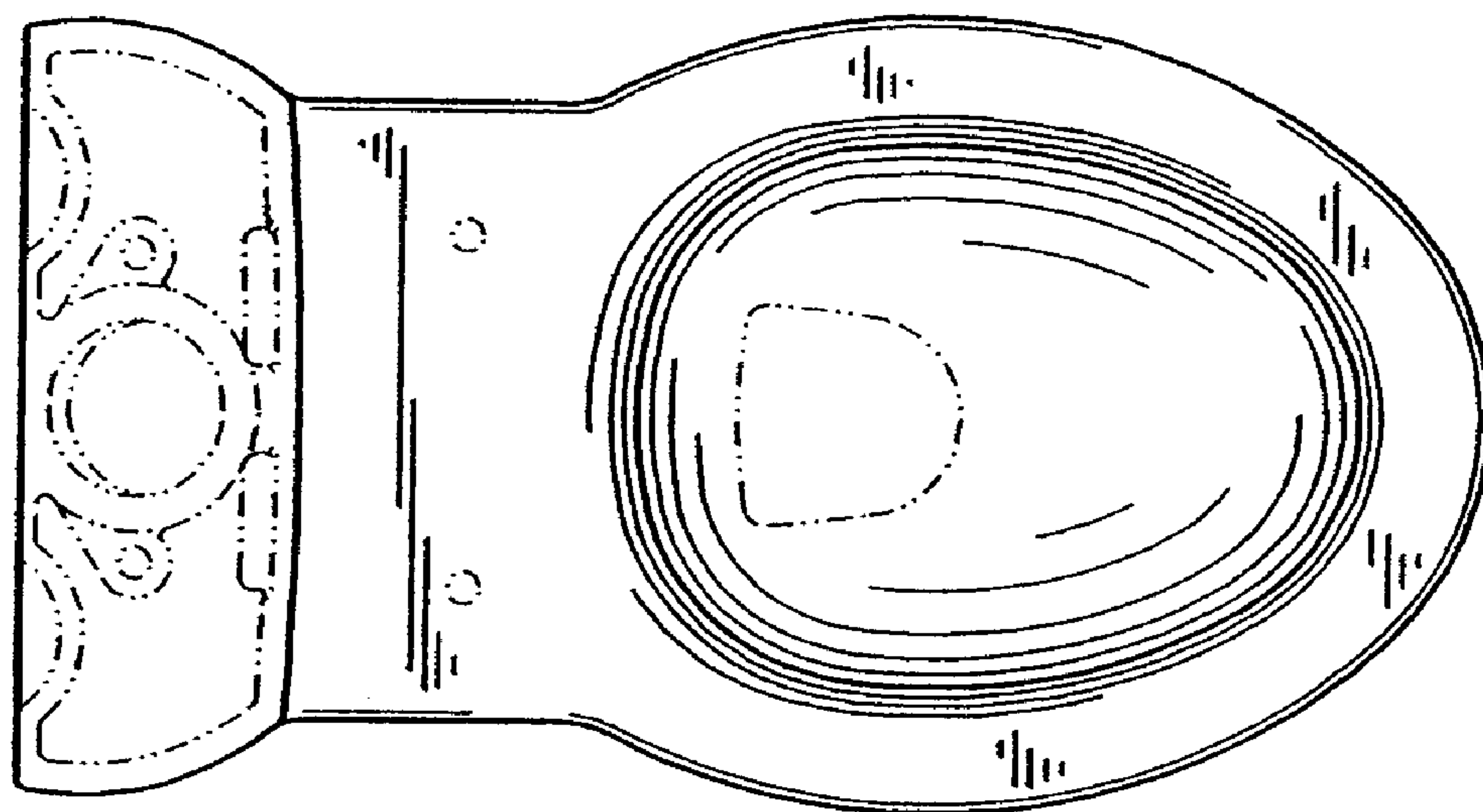


FIG. 7

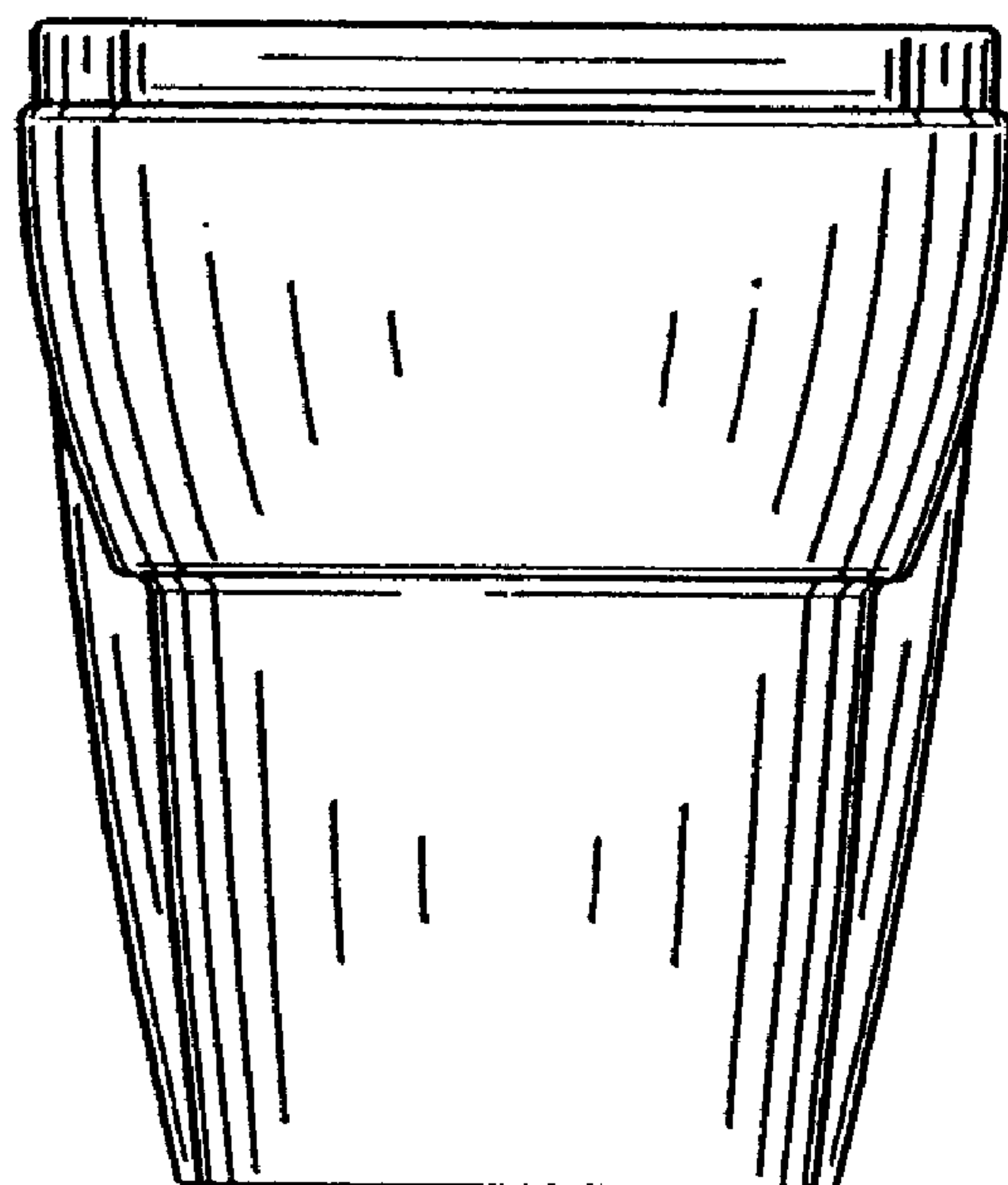


FIG. 8

UNITED STATES PATENT AND TRADEMARK OFFICE
CERTIFICATE OF CORRECTION

PATENT NO. : Des. 531,288 S
APPLICATION NO. : 29/257820
DATED : October 31, 2006
INVENTOR(S) : Jean-Hugues Soulier

Page 1 of 1

It is certified that error appears in the above-identified patent and that said Letters Patent is hereby corrected as shown below:

Title Page;
At paragraph (62) relating to the priority claim, change "523,041" to --523,541--.

Signed and Sealed this

Tenth Day of July, 2007

A handwritten signature in black ink on a light gray dotted background. The signature reads "Jon W. Dudas" in a cursive style.

JON W. DUDAS

Director of the United States Patent and Trademark Office