



US00D531285S

(12) **United States Design Patent**
Williams

(10) **Patent No.:** **US D531,285 S**
(45) **Date of Patent:** **** Oct. 31, 2006**

(54) **P-TRAP FOR PLUMBING DRAINAGE SYSTEMS**

(76) Inventor: **Anthony B. Williams**, 910 NW. -23 Ter., Pompano Bch., FL (US) 33069

(**) Term: **14 Years**

(21) Appl. No.: **29/224,938**

(22) Filed: **Mar. 9, 2005**

(51) **LOC (8) Cl.** **23-01**

(52) **U.S. Cl.** **D23/268**

(58) **Field of Classification Search** D23/268, D23/266; 4/679, 681, 695, DIG. 13, DIG. 16
See application file for complete search history.

(56) **References Cited**

U.S. PATENT DOCUMENTS

595,577 A	12/1897	Moore	
D240,929 S	* 8/1976	McIlroy D23/268
4,031,914 A	* 6/1977	Neri 137/247.51
4,179,762 A	12/1979	Barnhardt	

D295,780 S	5/1988	Thomas	
5,267,361 A	* 12/1993	Lai 4/679
D346,646 S	* 5/1994	Doyle D23/268
5,638,557 A	6/1997	Iida	
D386,569 S	* 11/1997	Trueb et al. D23/268
6,385,799 B1	* 5/2002	Doyen 4/679
2002/0116759 A1	8/2002	Mantyla	
2003/0163869 A1	9/2003	Bosch	

* cited by examiner

Primary Examiner—Robin Webster

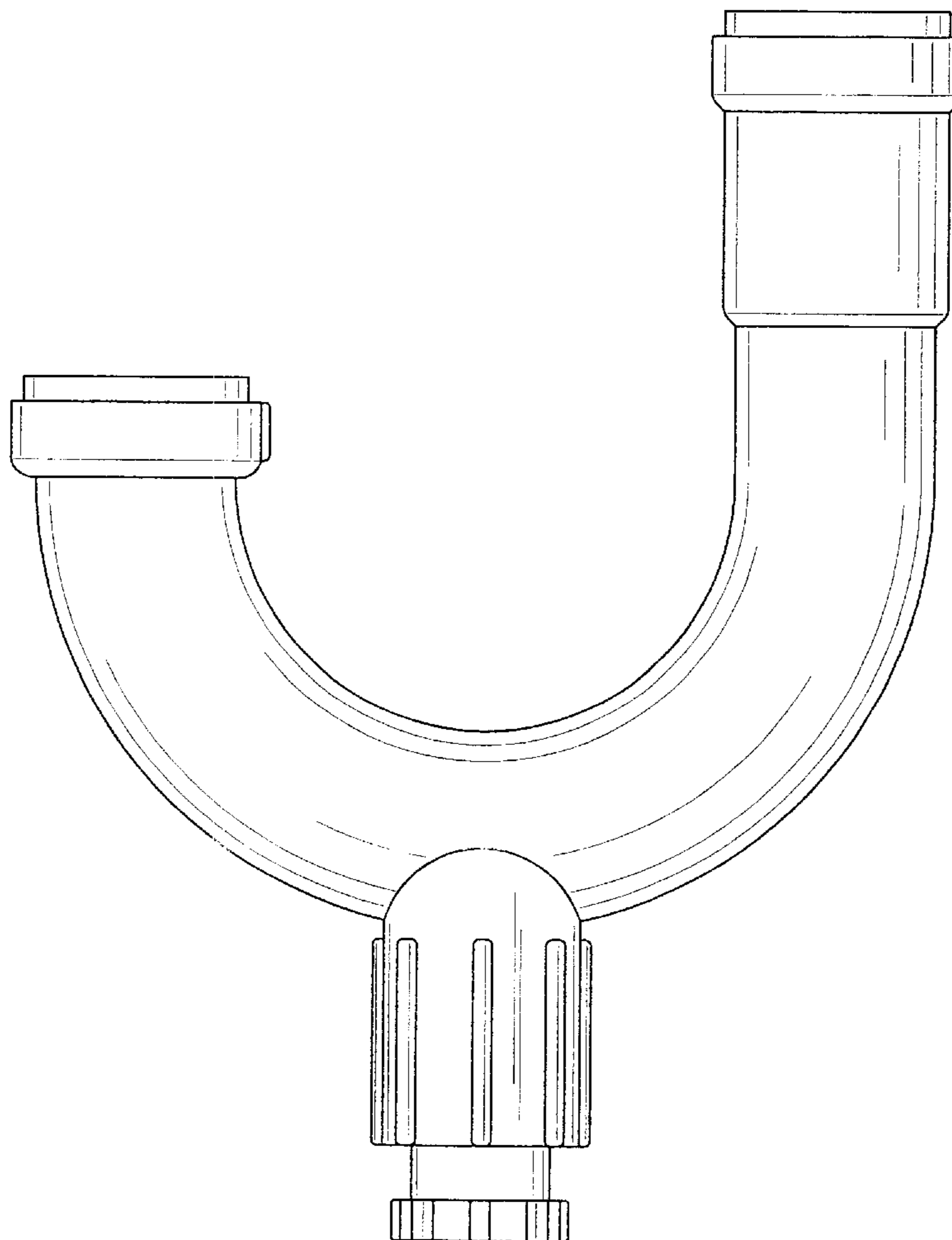
(57) **CLAIM**

The ornamental design for a P-trap for plumbing drainage systems, as shown.

DESCRIPTION

FIG. 1 is a frontal view showing my design;
FIG. 2 is a left side view thereof;
FIG. 3 is a right side view thereof;
FIG. 4 is a top view thereof; and,
FIG. 5 is a bottom view of my design.

1 Claim, 3 Drawing Sheets



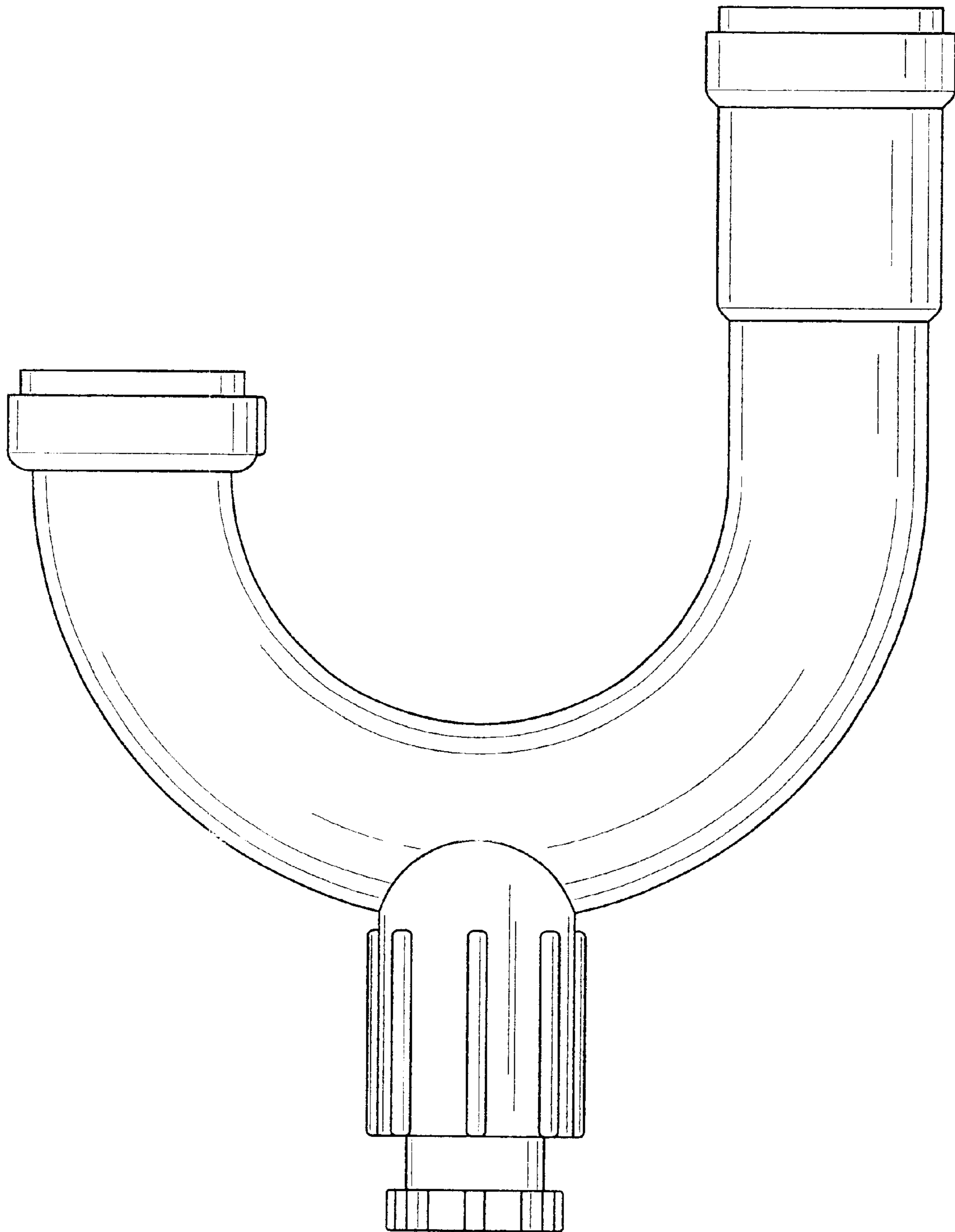


FIG.1

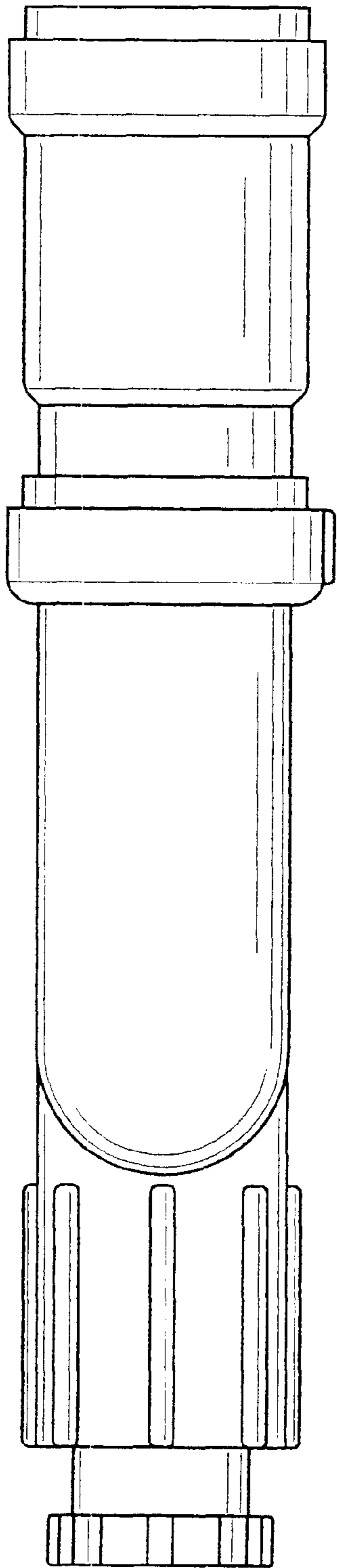


FIG. 2

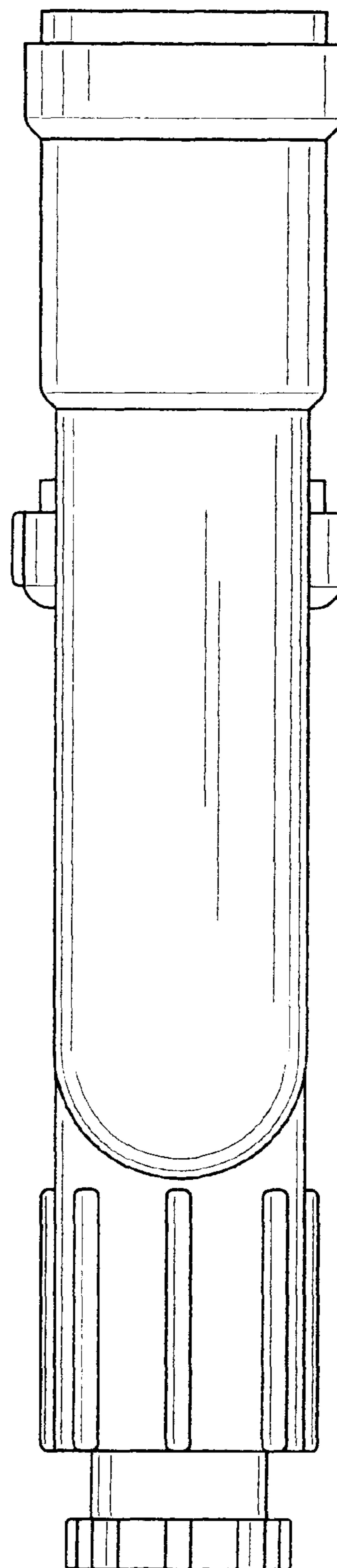


FIG. 3

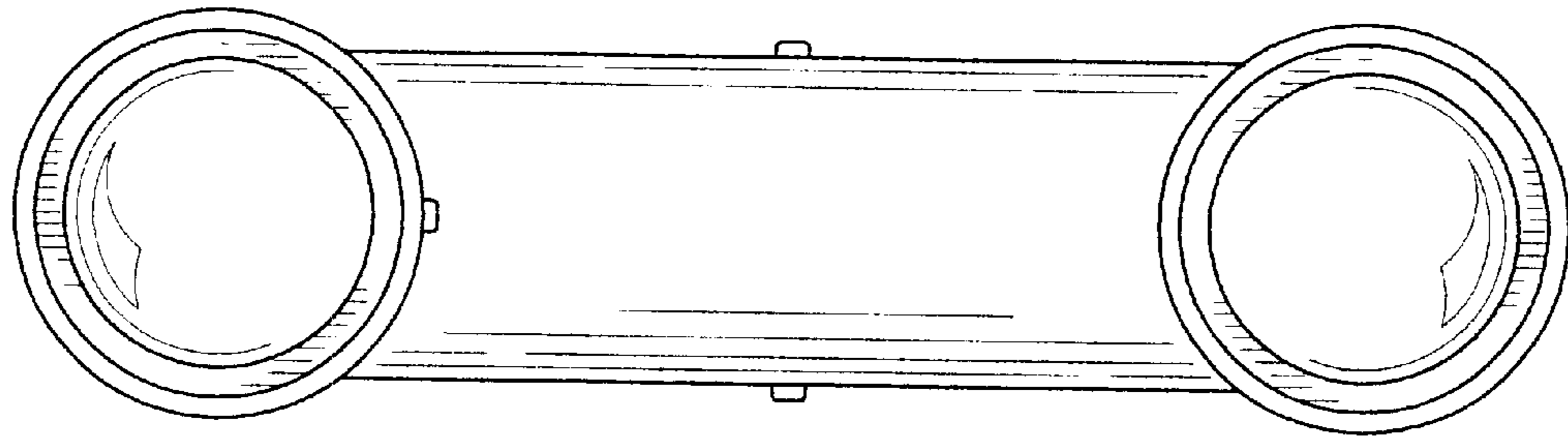


FIG. 4

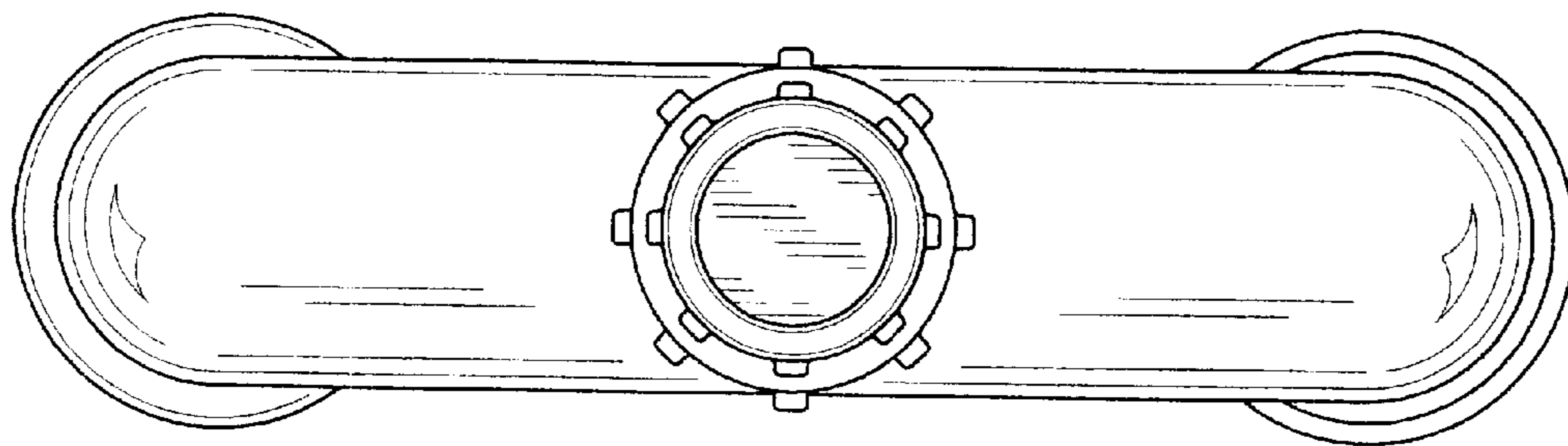


FIG. 5