



US00D531282S

(12) **United States Design Patent**
Jeong

(10) **Patent No.:** **US D531,282 S**

(45) **Date of Patent:** **** Oct. 31, 2006**

(54) **ADAPTER FOR BRANCHING A HOSE**

D474,255 S * 5/2003 Johnson D23/213
D480,125 S * 9/2003 Johnson D23/213

(76) Inventor: **In-Yeol Jeong**, 307-603, Olympic
Seonsu-chon apt., 89, Bangi-dong,
Songpa-gu, Seoul 135-050 (KR)

* cited by examiner

(**) Term: **14 Years**

Primary Examiner—Robin Webster

(74) *Attorney, Agent, or Firm*—Luce, Forward, Hamilton &
Scripps LLP

(21) Appl. No.: **29/228,432**

(57) **CLAIM**

(22) Filed: **Apr. 22, 2005**

The ornamental design of an adapter for branching a hose,
as shown and described.

(30) **Foreign Application Priority Data**

Oct. 26, 2004 (KR) 30-2004-0032732

DESCRIPTION

(51) **LOC (8) Cl.** **23-01**

FIG. 1 is a front perspective view of an embodiment of the
adapter design;

(52) **U.S. Cl.** **D23/262; D23/259**

FIG. 2 is a rear perspective view thereof;

(58) **Field of Classification Search** D23/259,

FIG. 3 is a front view thereof;

D23/262; 285/125.1, 148.18, 148.23; 137/798
See application file for complete search history.

FIG. 4 is a rear view thereof;

FIG. 5 is a left side view thereof;

FIG. 6 is a right side view thereof;

FIG. 7 is a top view thereof; and,

FIG. 8 is a bottom view thereof.

The broken line disclosure is for illustrative purposes only
and forms no part of the claimed design.

(56) **References Cited**

U.S. PATENT DOCUMENTS

3,538,940 A * 11/1970 Graham 137/271
5,228,470 A * 7/1993 Lair et al. 137/218
5,695,225 A * 12/1997 Grenga 285/125.1

1 Claim, 7 Drawing Sheets

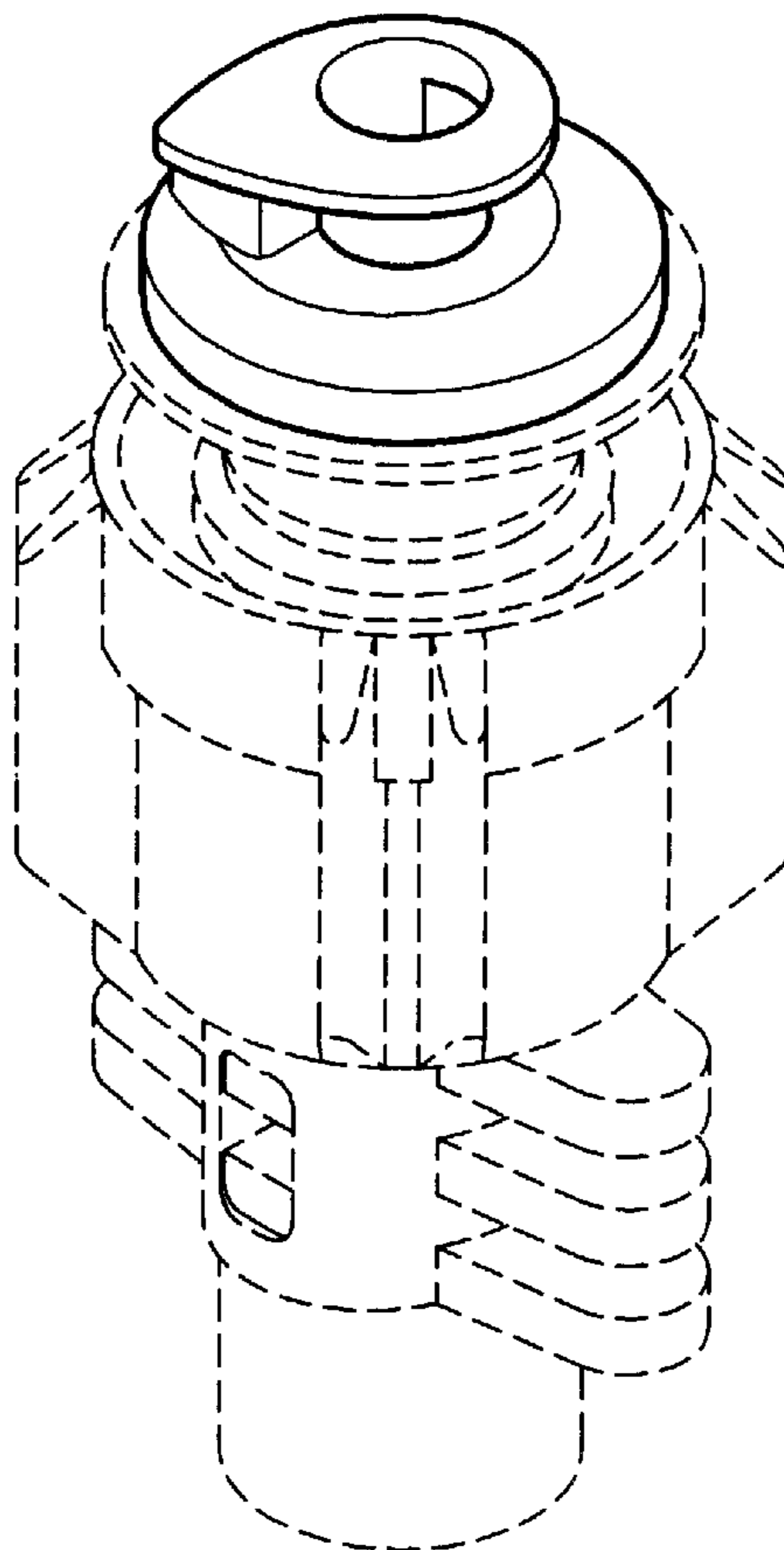


FIGURE 1

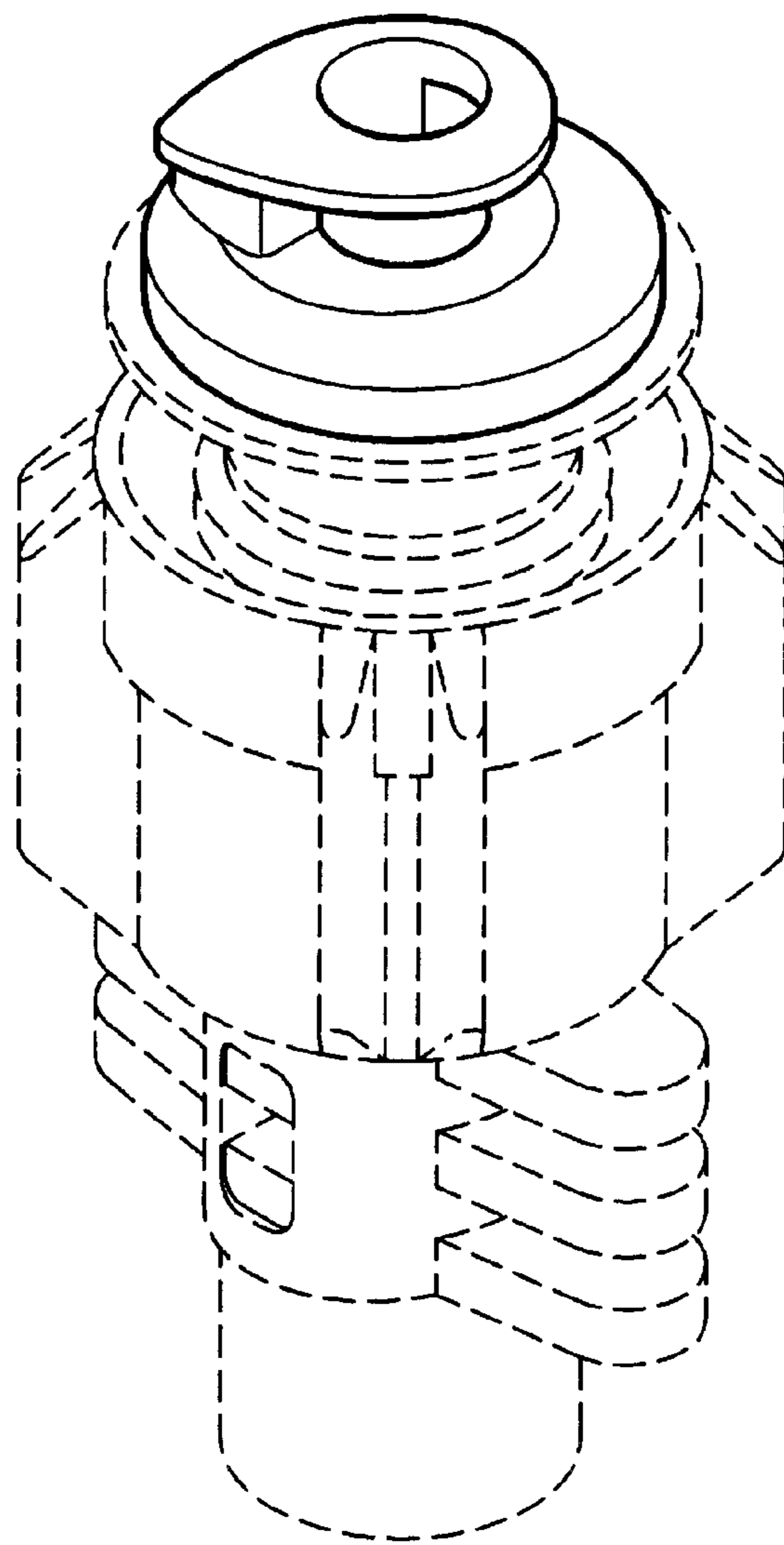


FIGURE 2

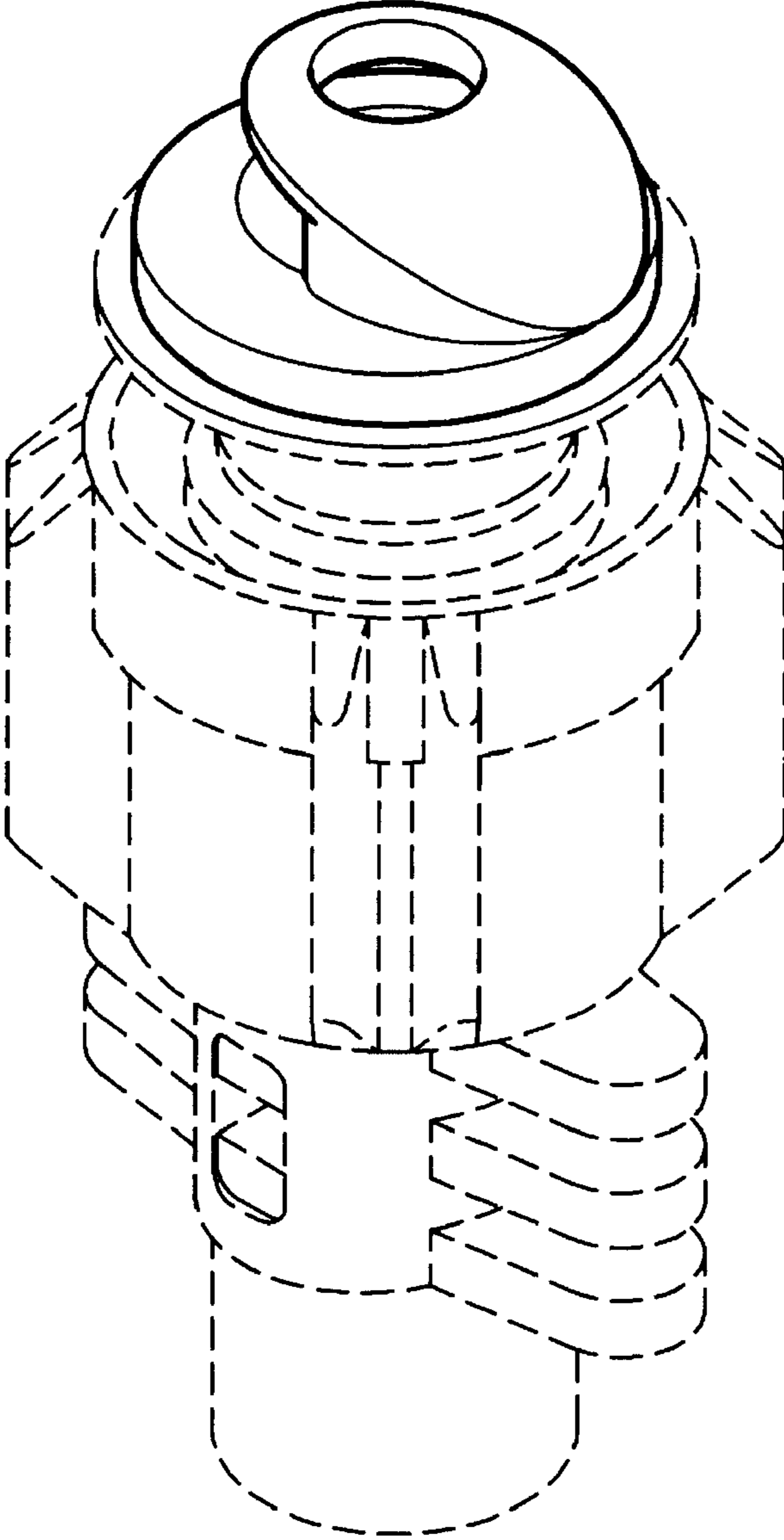


FIGURE 3

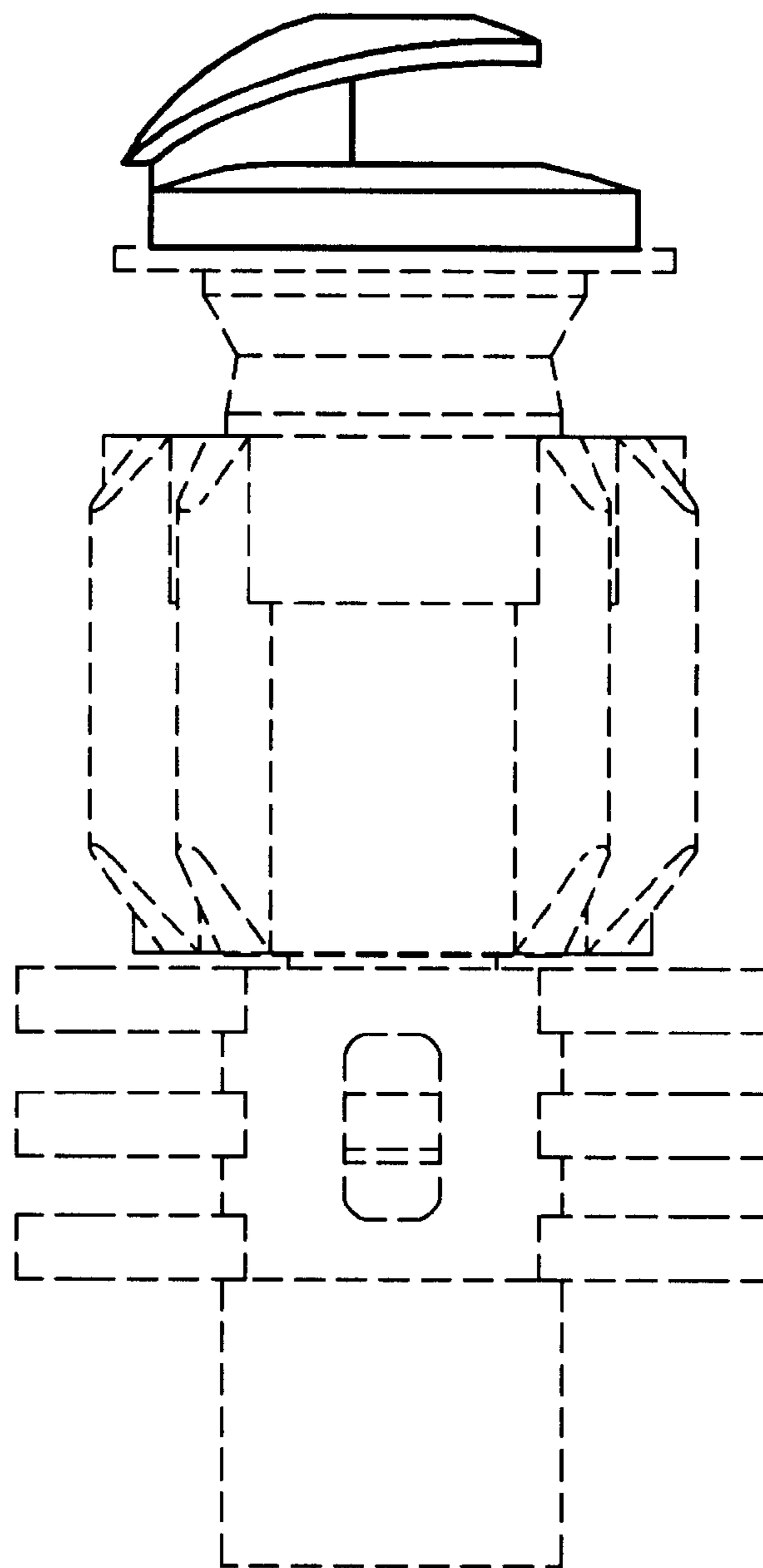


FIGURE 4

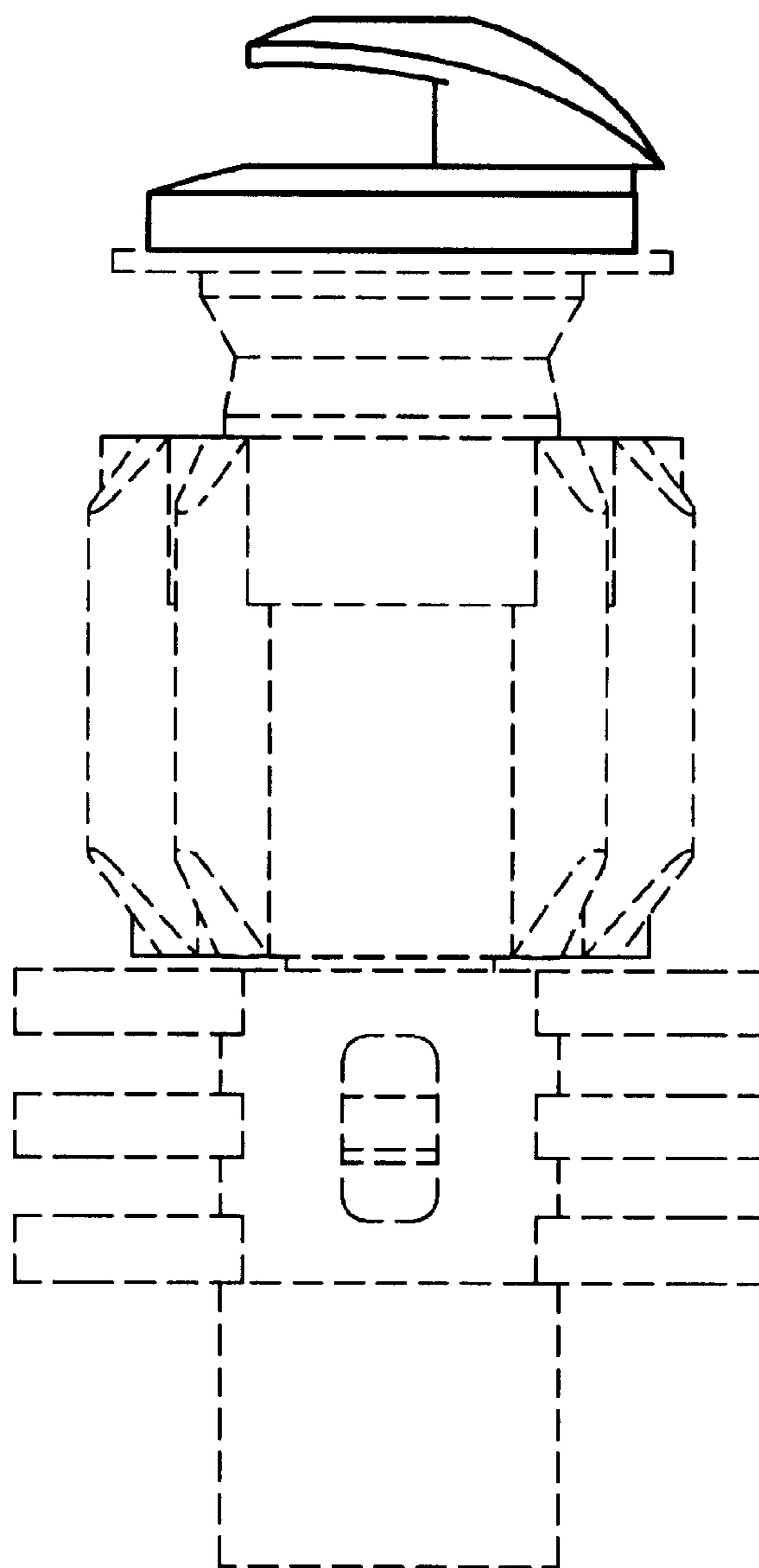


FIGURE 5

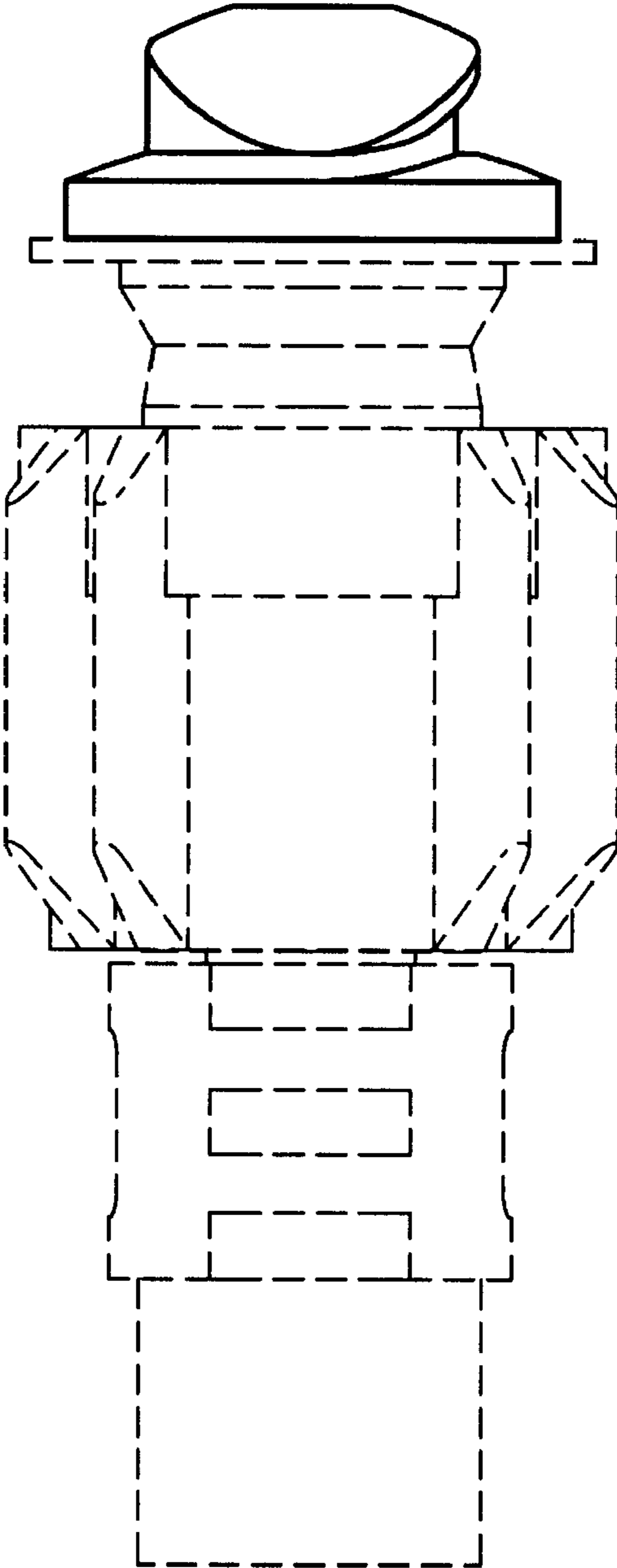


FIGURE 6

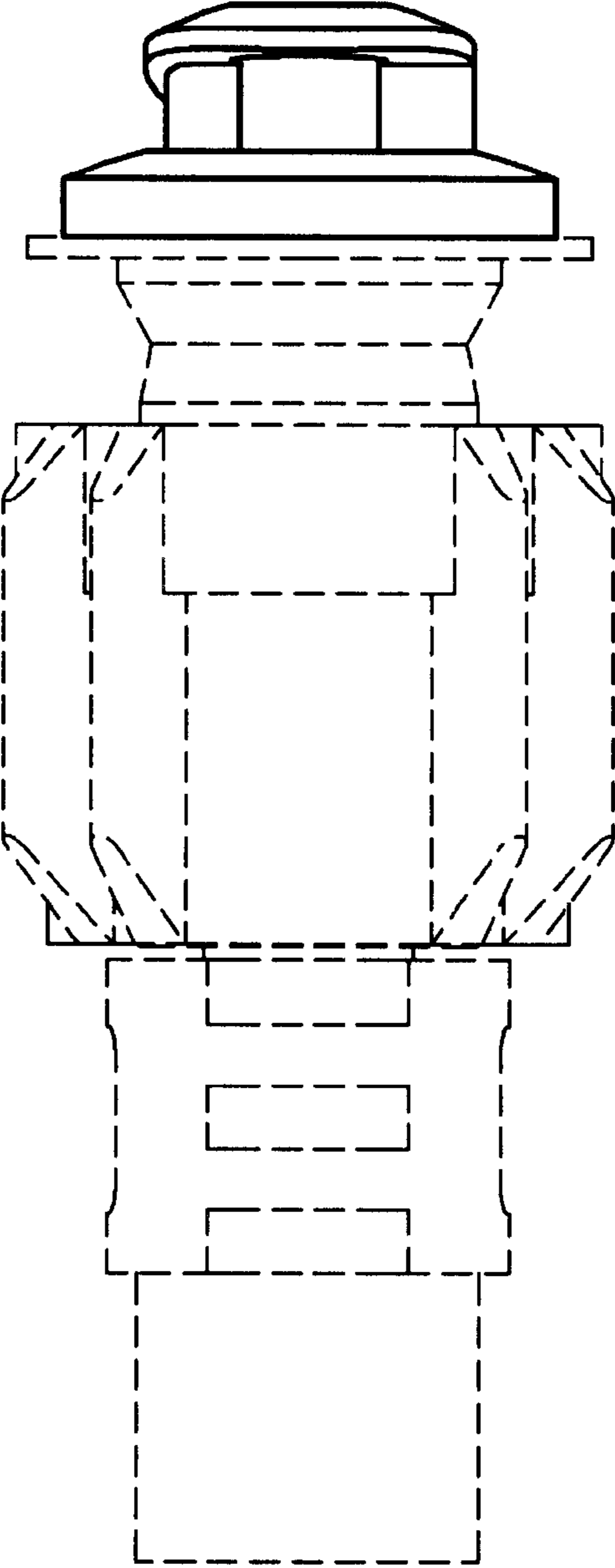


FIGURE 7

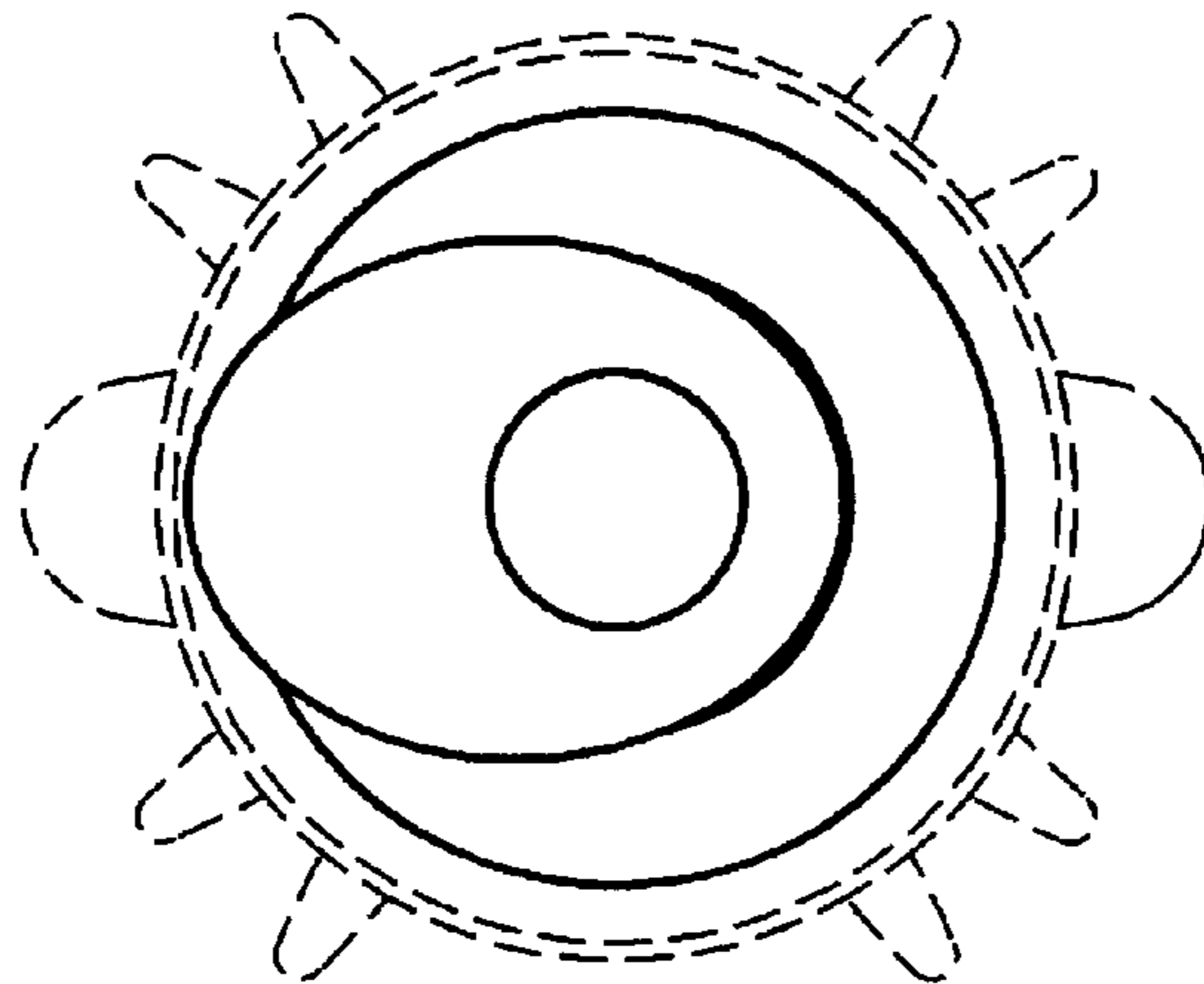


FIGURE 8

