



US00D531280S

(12) **United States Design Patent** (10) **Patent No.:** **US D531,280 S**
Kohler, Jr. et al. (45) **Date of Patent:** **** Oct. 31, 2006**

(54) **SPOUT**

(75) Inventors: **Herbert V. Kohler, Jr.**, Kohler, WI (US); **Howard M. Montgomery**, Sheboygan, WI (US); **Michael S. Smith**, Santa Monica, CA (US)

(73) Assignee: **Kohler Co.**, Kohler, WI (US)

(**) Term: **14 Years**

(21) Appl. No.: **29/209,372**

(22) Filed: **Jul. 15, 2004**

(51) **LOC (8) Cl.** **23-01**

(52) **U.S. Cl.** **D23/255**

(58) **Field of Classification Search** D23/238–257;
4/675–678; 137/801

See application file for complete search history.

(56) **References Cited**

U.S. PATENT DOCUMENTS

D76,996 S	*	11/1928	Fraser	D23/255
D85,397 S	*	10/1931	Sakier	D23/255
D87,829 S		9/1932	Ferguson		
D117,171 S	*	10/1939	Fraser	D23/257
D317,350 S	*	6/1991	Freed	D23/257
D478,151 S		8/2003	Ouyoung		

* cited by examiner

Primary Examiner—Louis S. Zarfes

Assistant Examiner—Gregory Andoll

(74) *Attorney, Agent, or Firm*—Quarles & Brady LLP

(57) **CLAIM**

The ornamental design for a spout, as shown and described.

DESCRIPTION

In a preferred embodiment, the nature of this product is as a plumbing fixture in the form of a bathtub spout primary useful for washing body parts.

FIG. 1 is a left, top, front perspective view of a spout according to our new design;

FIG. 2 is a left side elevational view thereof, the right side elevational view thereof being a mirror image of the left side shown;

FIG. 3 is a top plan view thereof;

FIG. 4 is a front elevational view thereof;

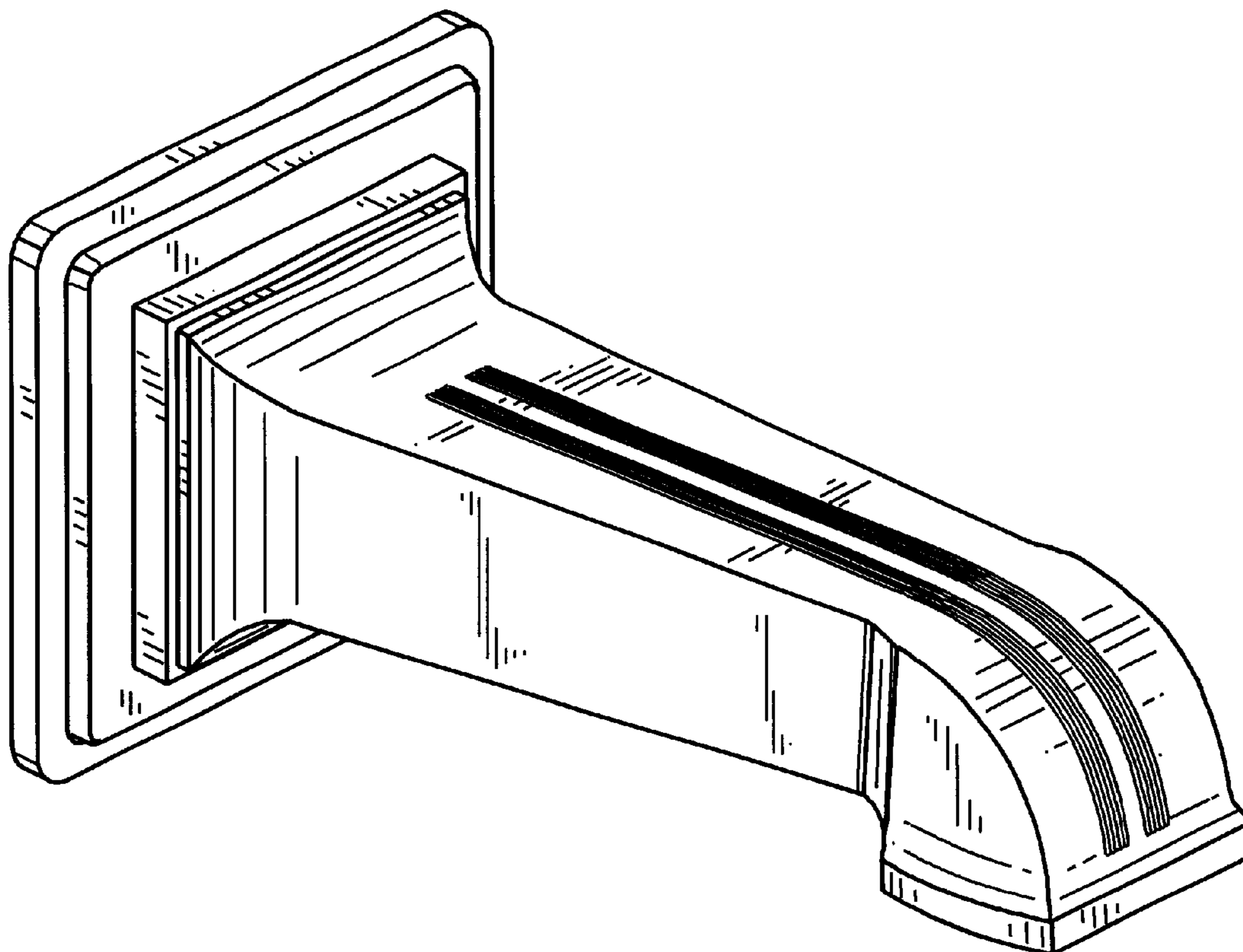
FIG. 5 is a bottom plan view thereof;

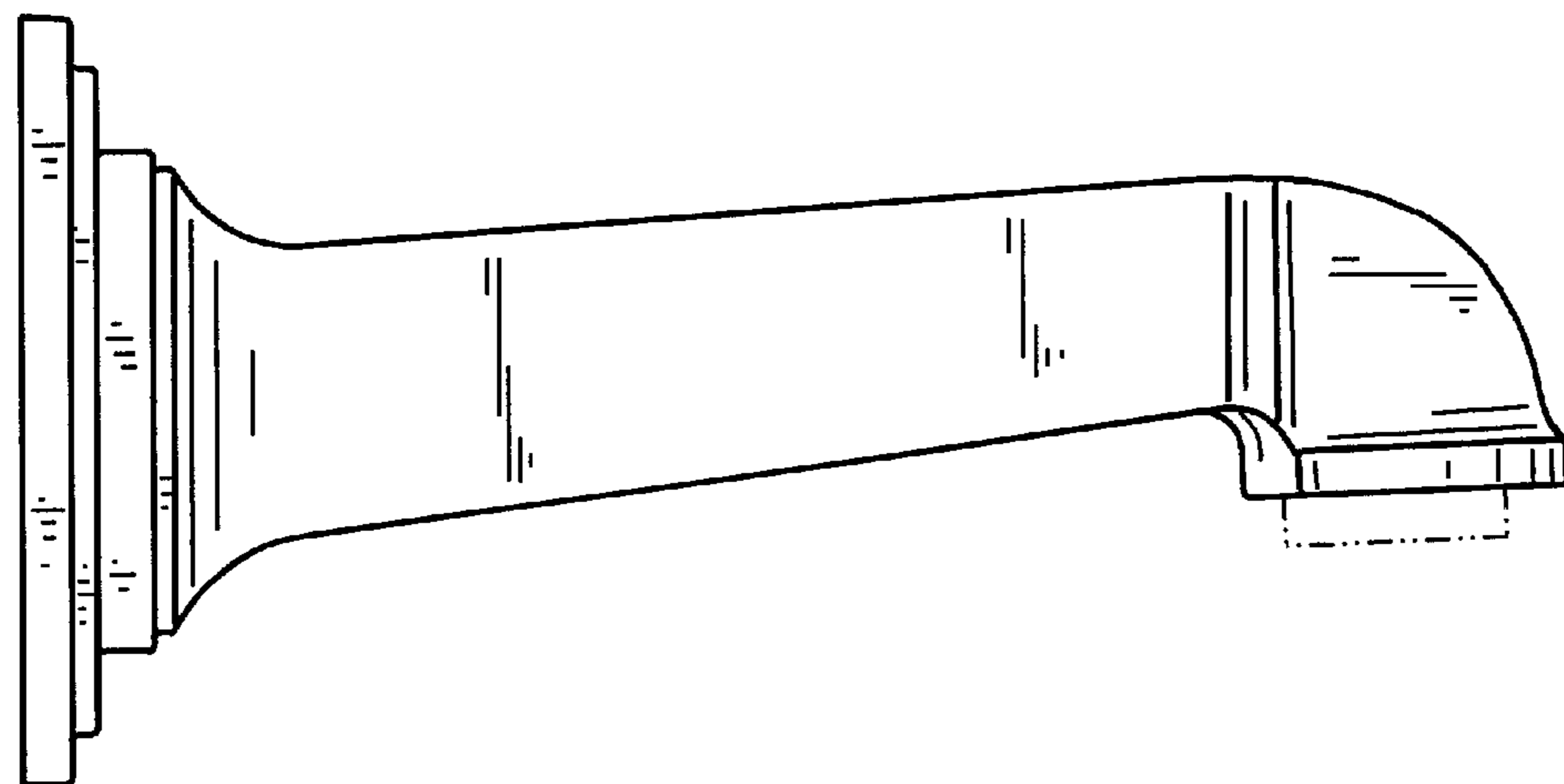
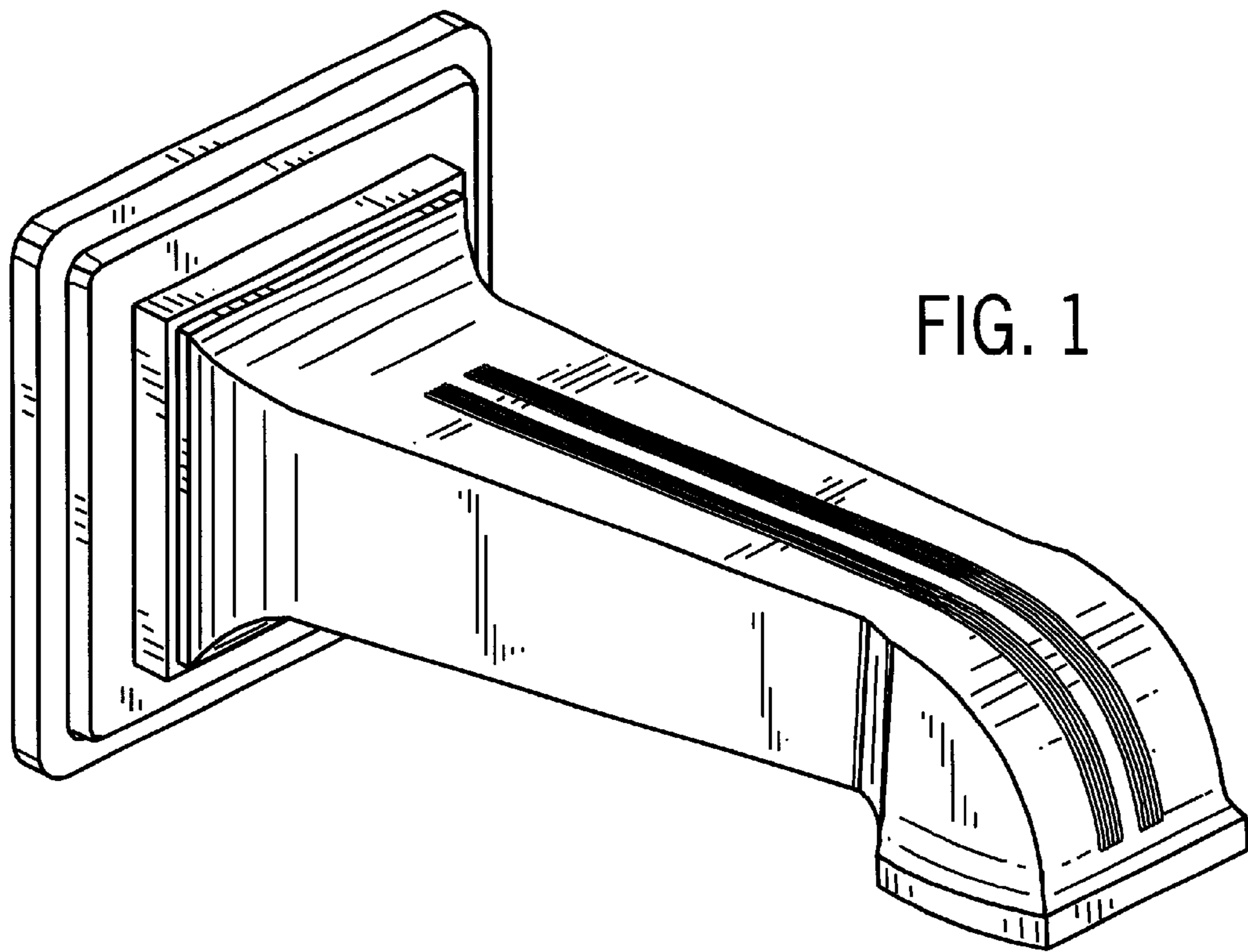
FIG. 6 is a rear elevational view thereof; and,

FIG. 7 is a partial sectional view thereof taken along arc 7—7 of FIG. 4.

The broken line representations of an aerator in FIGS. 2, 4, and 5, and of a mounting structure in FIG. 6 are for the purpose of illustration only, and form no part of the claimed design.

1 Claim, 3 Drawing Sheets





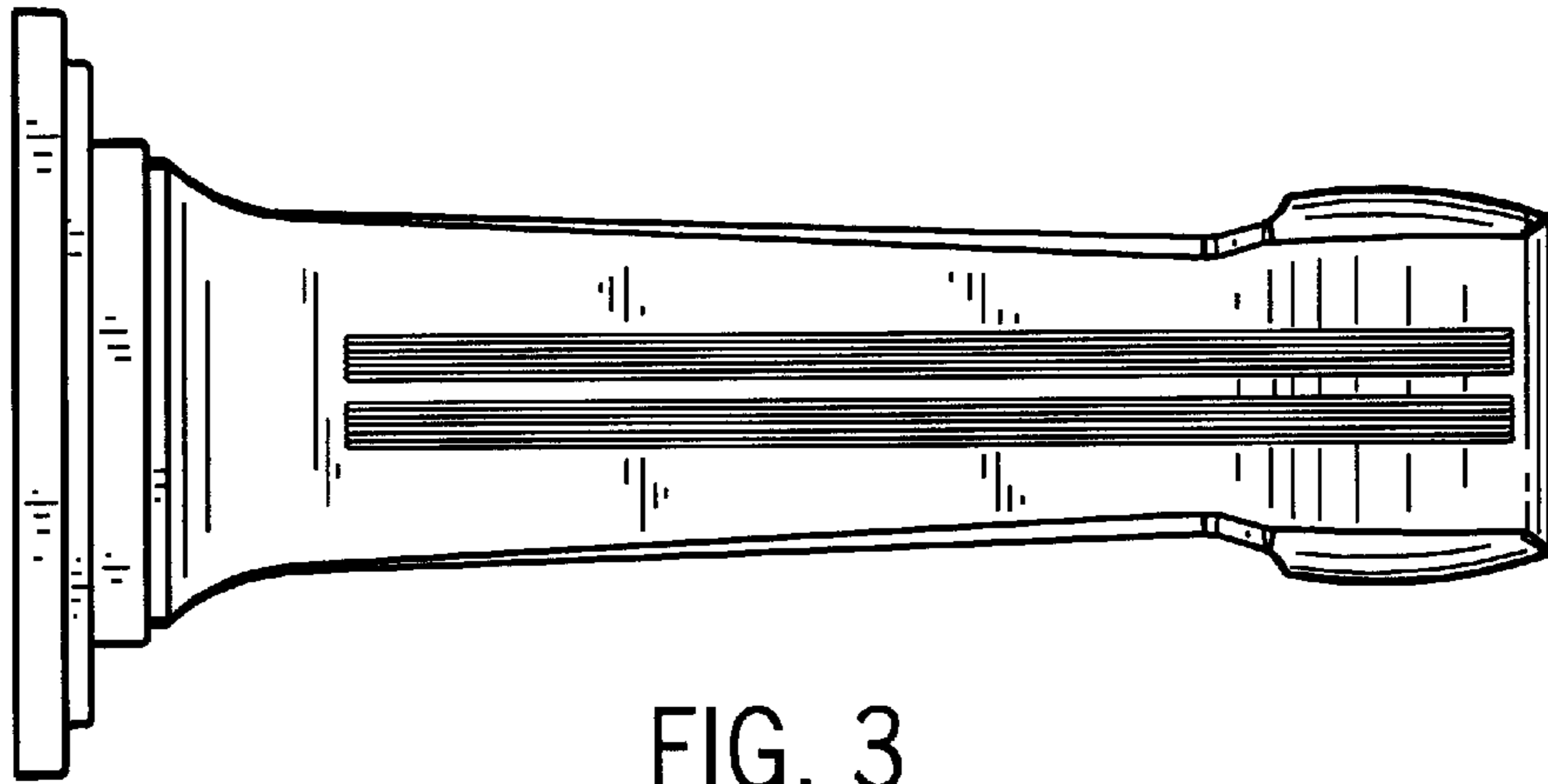


FIG. 3

FIG. 4

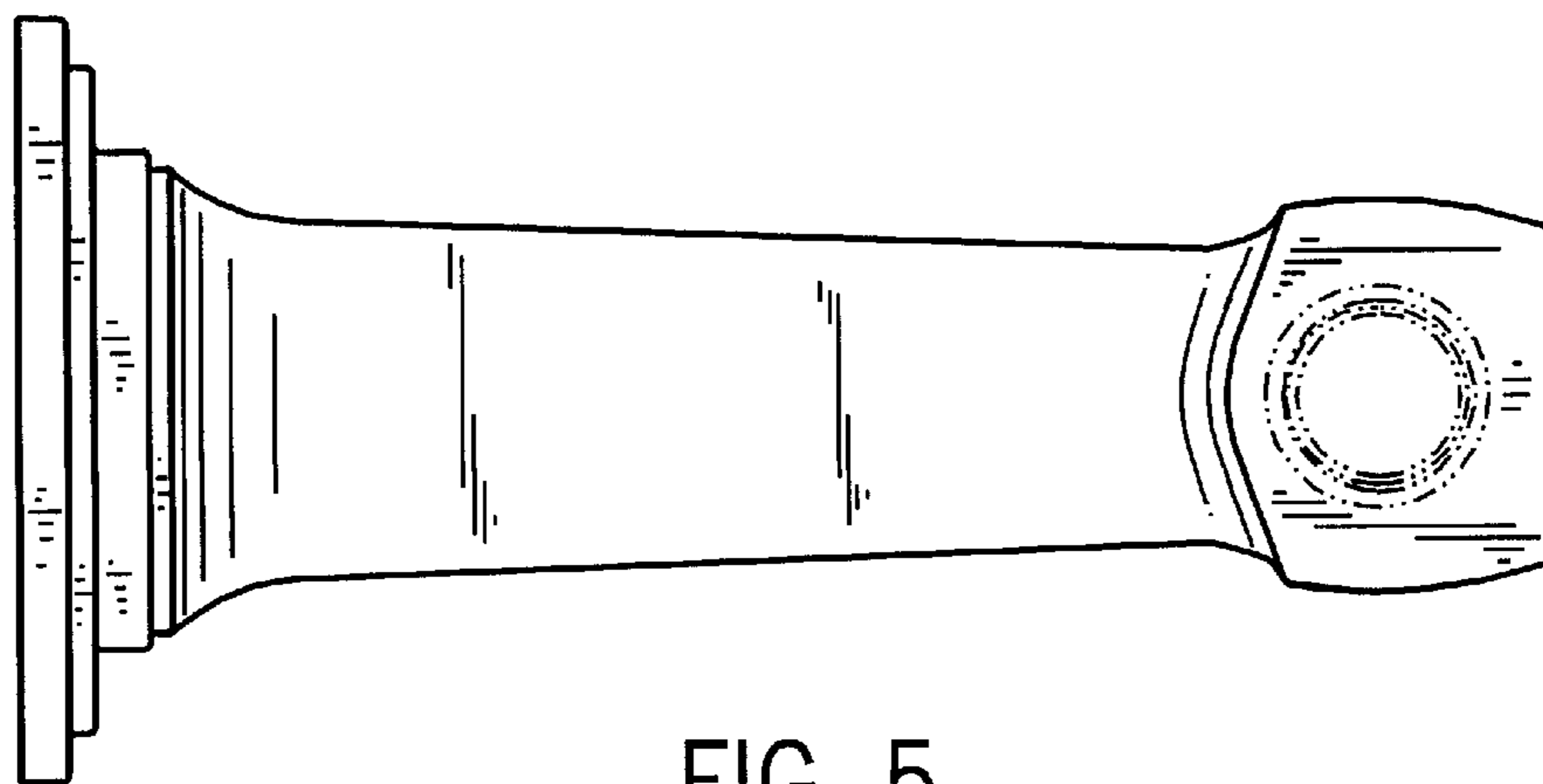
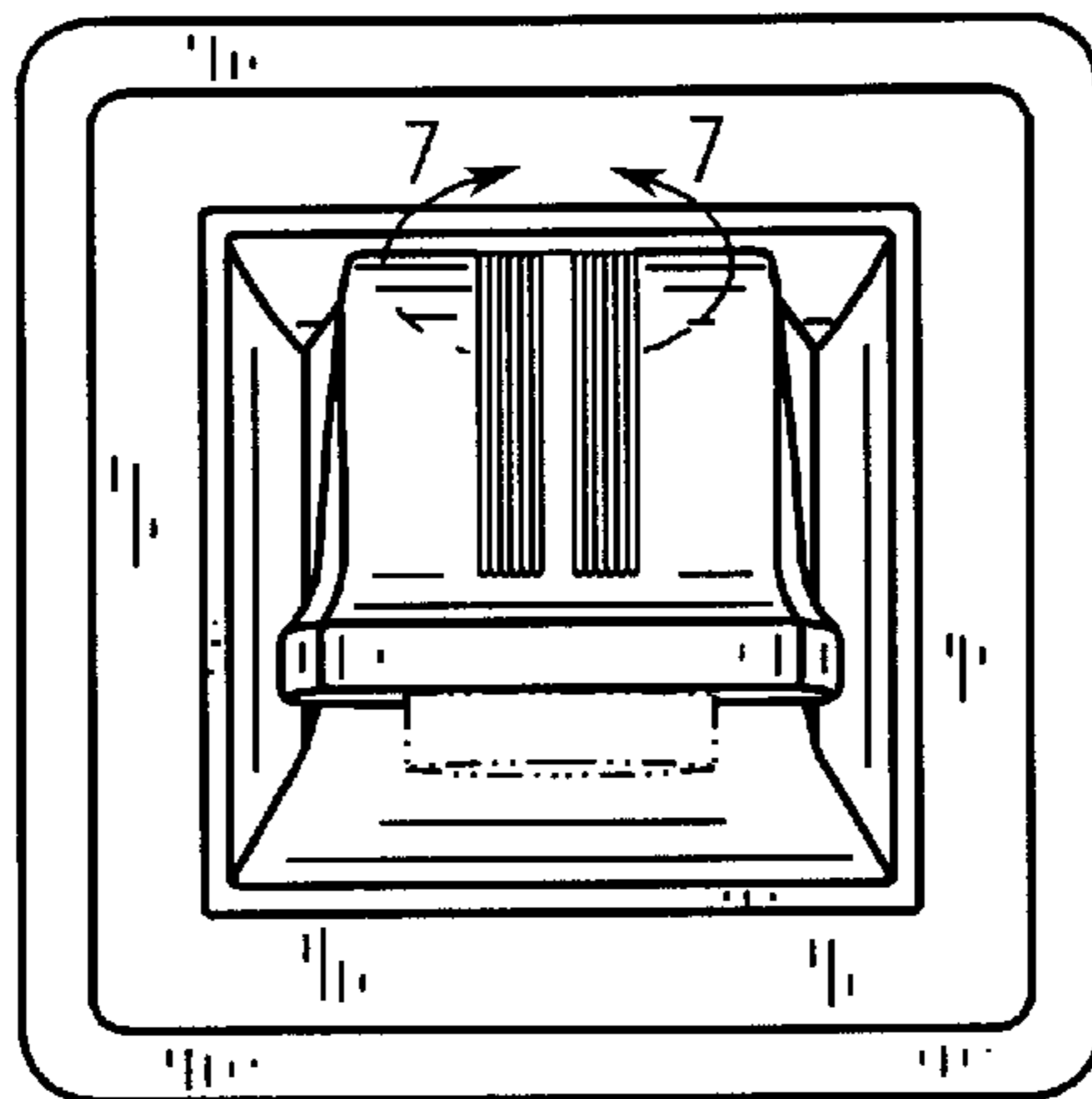


FIG. 5

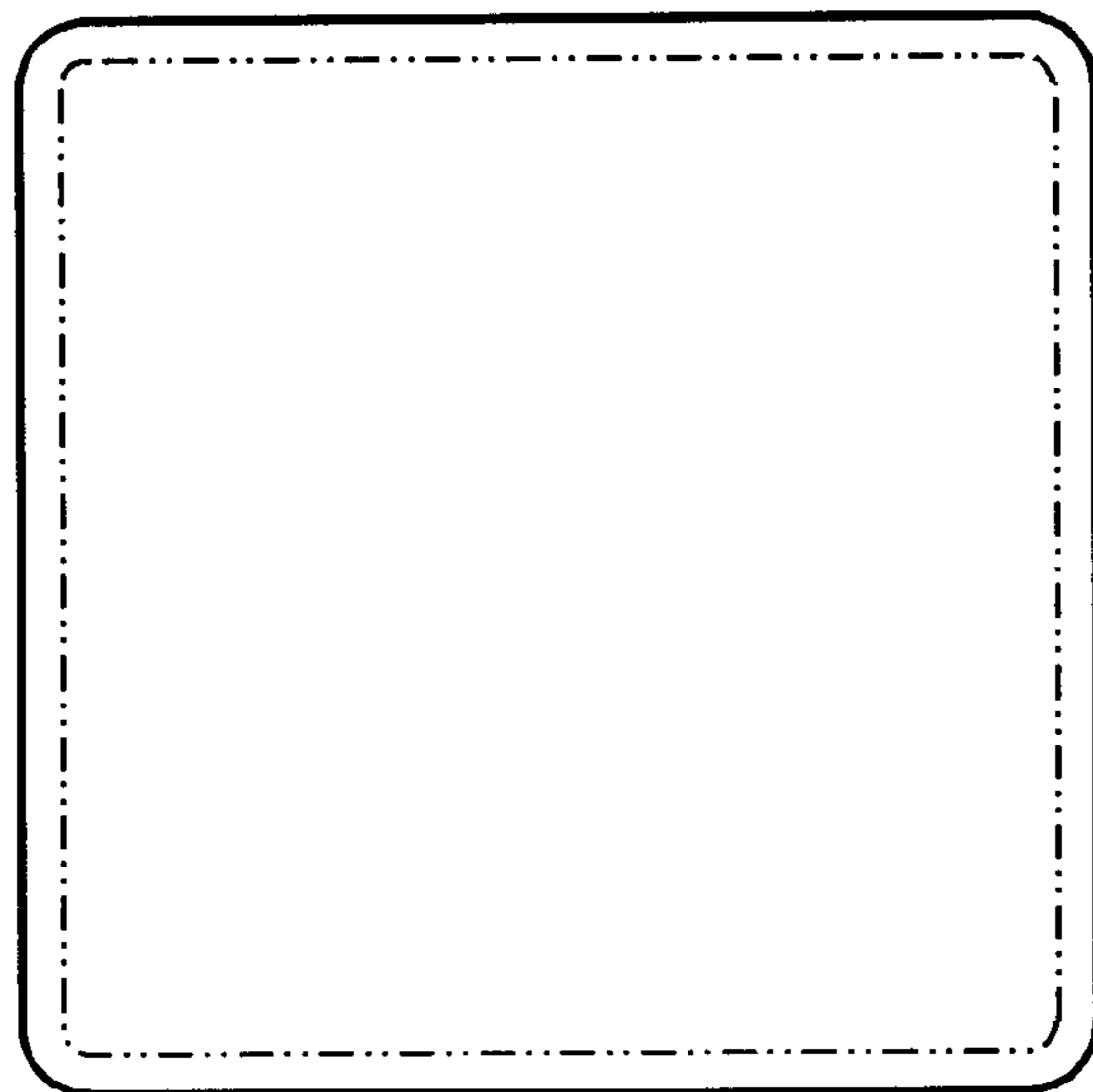


FIG. 6

FIG. 7

