



US00D531279S

(12) **United States Design Patent**
Blomstrom

(10) **Patent No.:** **US D531,279 S**

(45) **Date of Patent:** **** Oct. 31, 2006**

(54) **SPOUT**

D486,563 S 2/2004 Hsieh
D486,564 S * 2/2004 Graves et al. D23/257

(75) Inventor: **John K. Blomstrom**, Sheboygan Falls,
WI (US)

* cited by examiner

(73) Assignee: **Kohler Co.**, Kohler, WI (US)

Primary Examiner—Louis S. Zarfes

Assistant Examiner—Gregory Andoll

(**) Term: **14 Years**

(74) *Attorney, Agent, or Firm*—Quarles & Brady LLP

(21) Appl. No.: **29/208,603**

(57) **CLAIM**

(22) Filed: **Jun. 30, 2004**

The ornamental design for a spout, as shown and described.

(51) **LOC (8) Cl.** **23-01**

(52) **U.S. Cl.** **D23/255; D23/252**

(58) **Field of Classification Search** D23/238–257;
4/675–678; 137/801

DESCRIPTION

See application file for complete search history.

In a preferred embodiment, the nature of this product is as a plumbing fixture in the form of a bathtub spout primary useful for washing body parts.

FIG. 1 is a left, top, front perspective view of a spout embodying my new design;

FIG. 2 is a left side elevational view thereof, the right side view being a mirror image of the left side shown;

FIG. 3 is a top plan view thereof;

FIG. 4 is a front elevational view thereof;

FIG. 5 is a rear elevational view thereof; and,

FIG. 6 is a bottom plan view thereof.

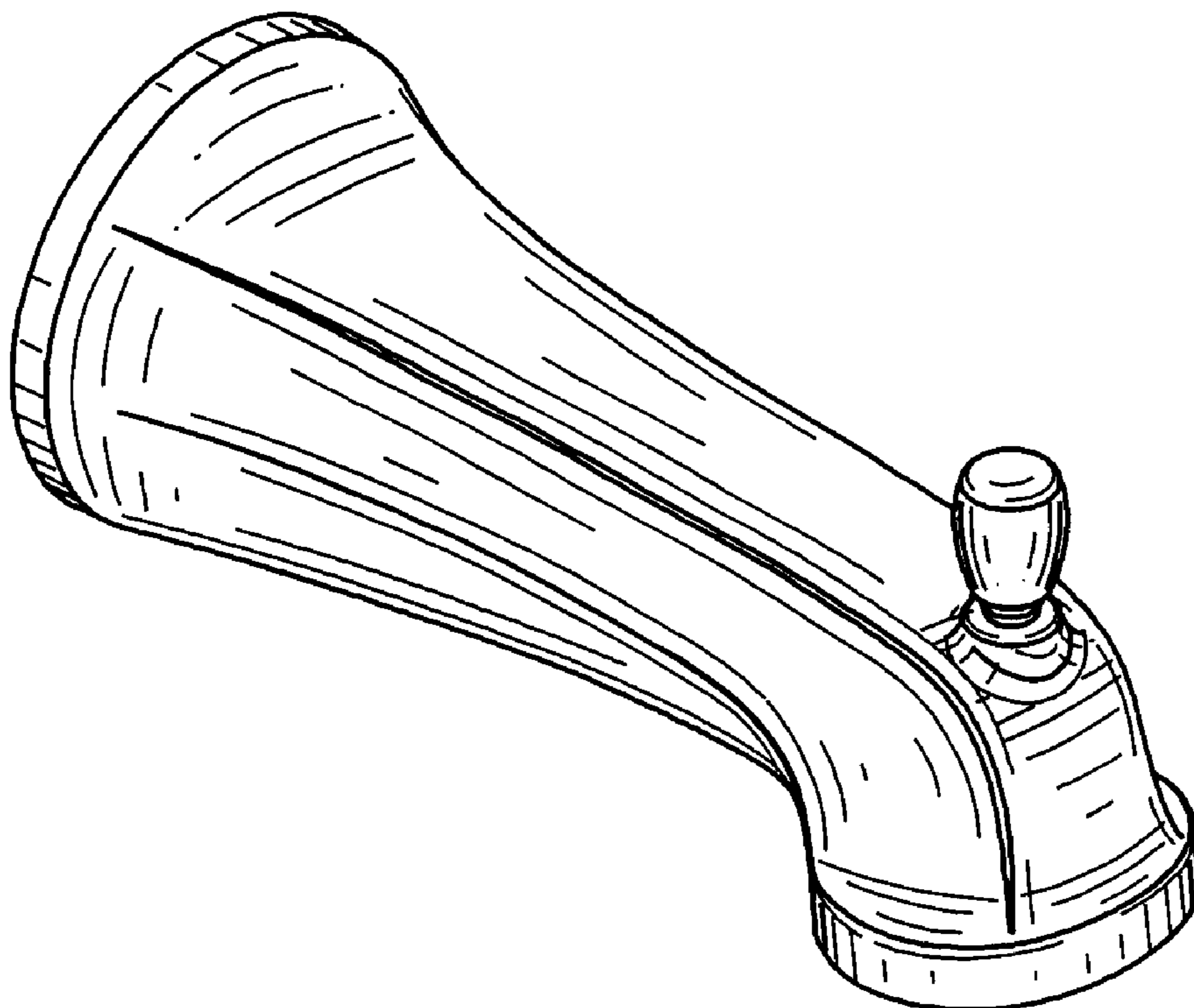
The broken line representations of wall structures in FIGS. 4–6 are for the purpose of illustration only, and form no part of the claimed design.

(56) **References Cited**

U.S. PATENT DOCUMENTS

D96,839 S	1/1935	Johnston	
D117,171 S	* 10/1939	Fraser D23/257
D296,235 S	* 6/1988	Schmitz D23/257
D382,940 S	8/1997	Ku	
D463,534 S	* 9/2002	Lord D23/255
D463,536 S	* 9/2002	Lord D23/257
D467,321 S	* 12/2002	Otero et al. D23/257
D468,810 S	1/2003	Smith	

1 Claim, 2 Drawing Sheets



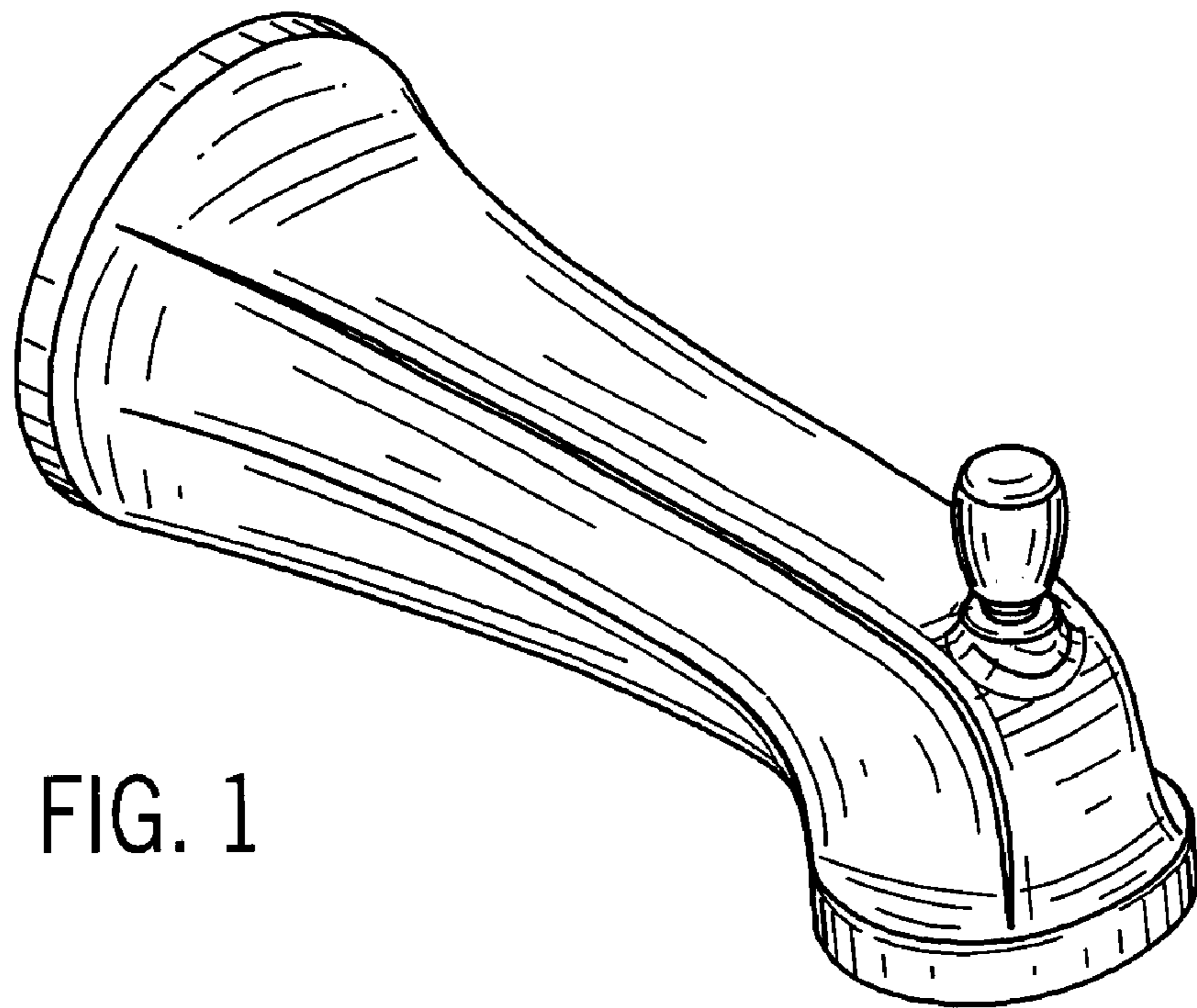


FIG. 1

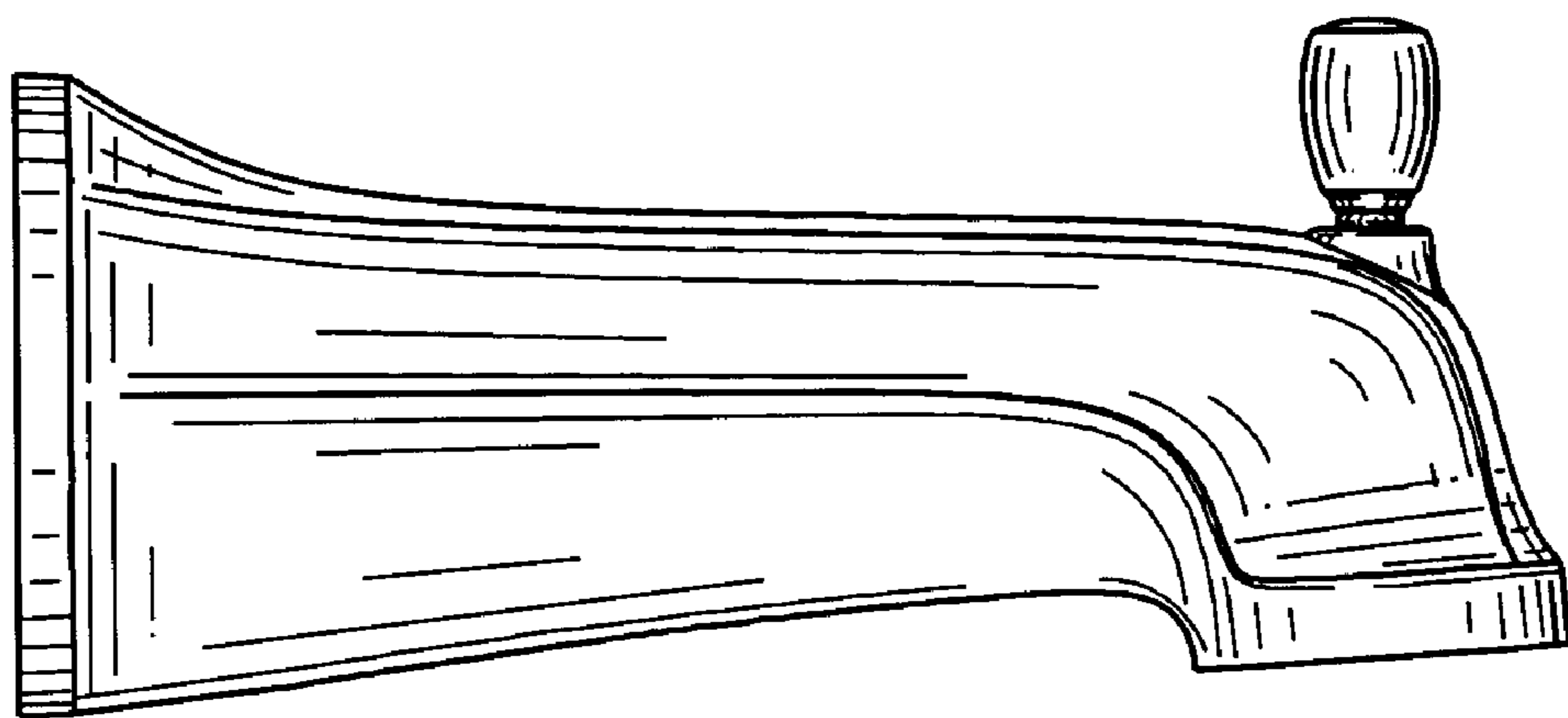


FIG. 2

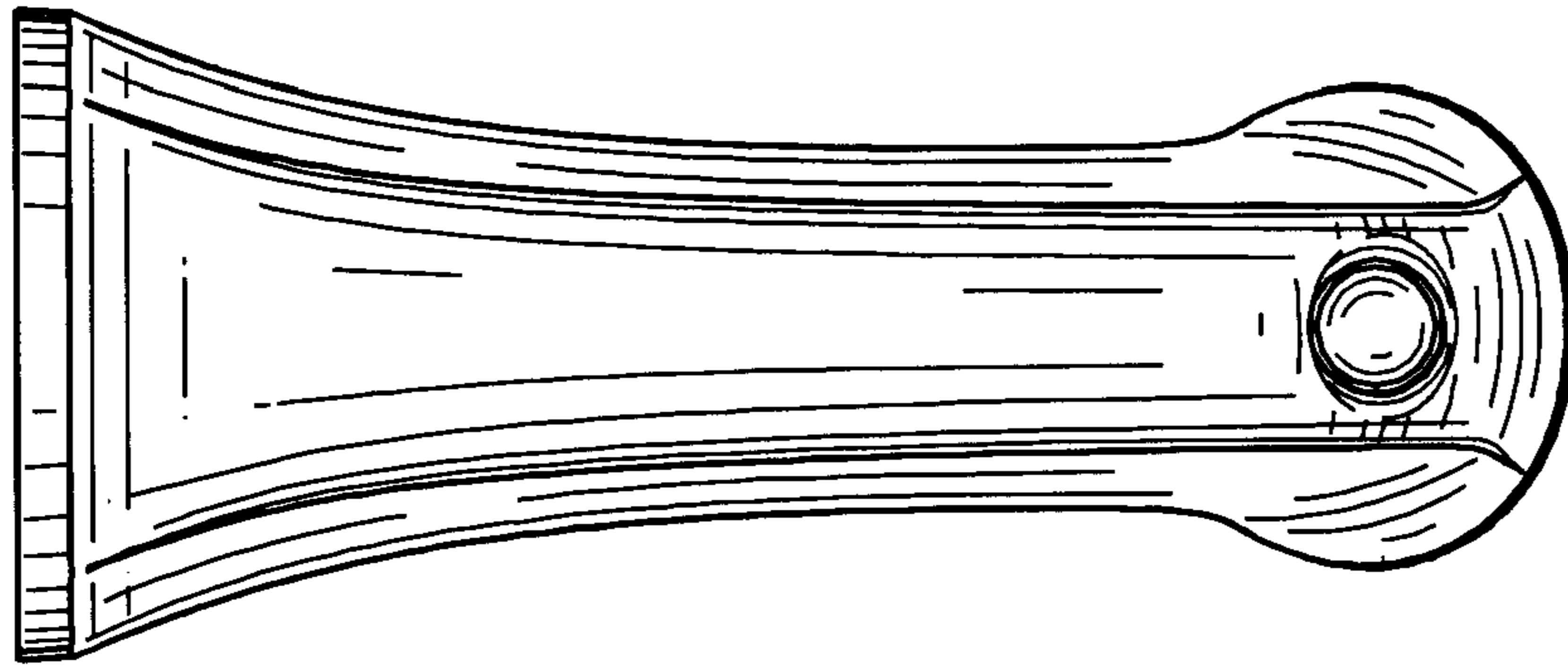


FIG. 3

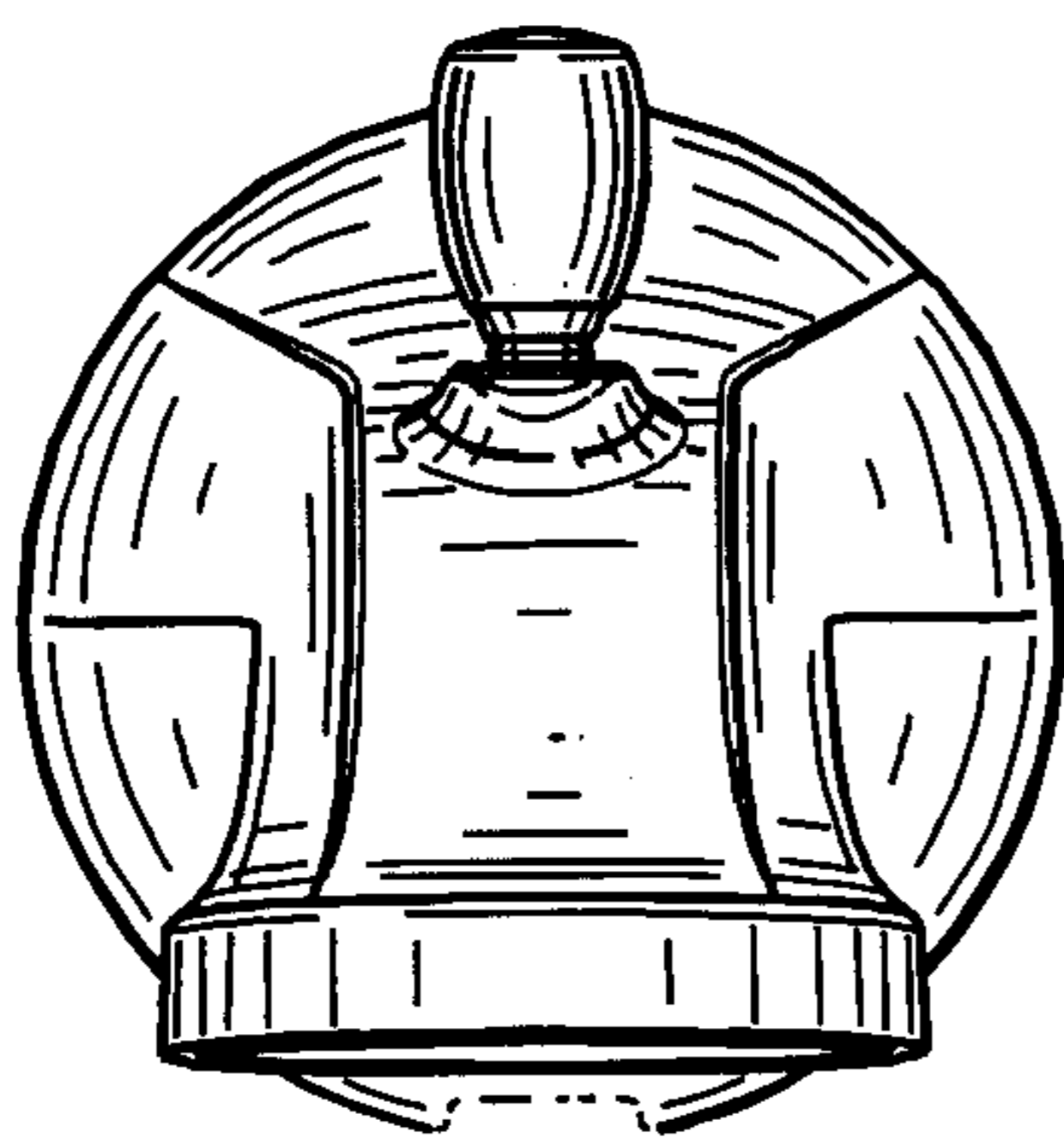


FIG. 4

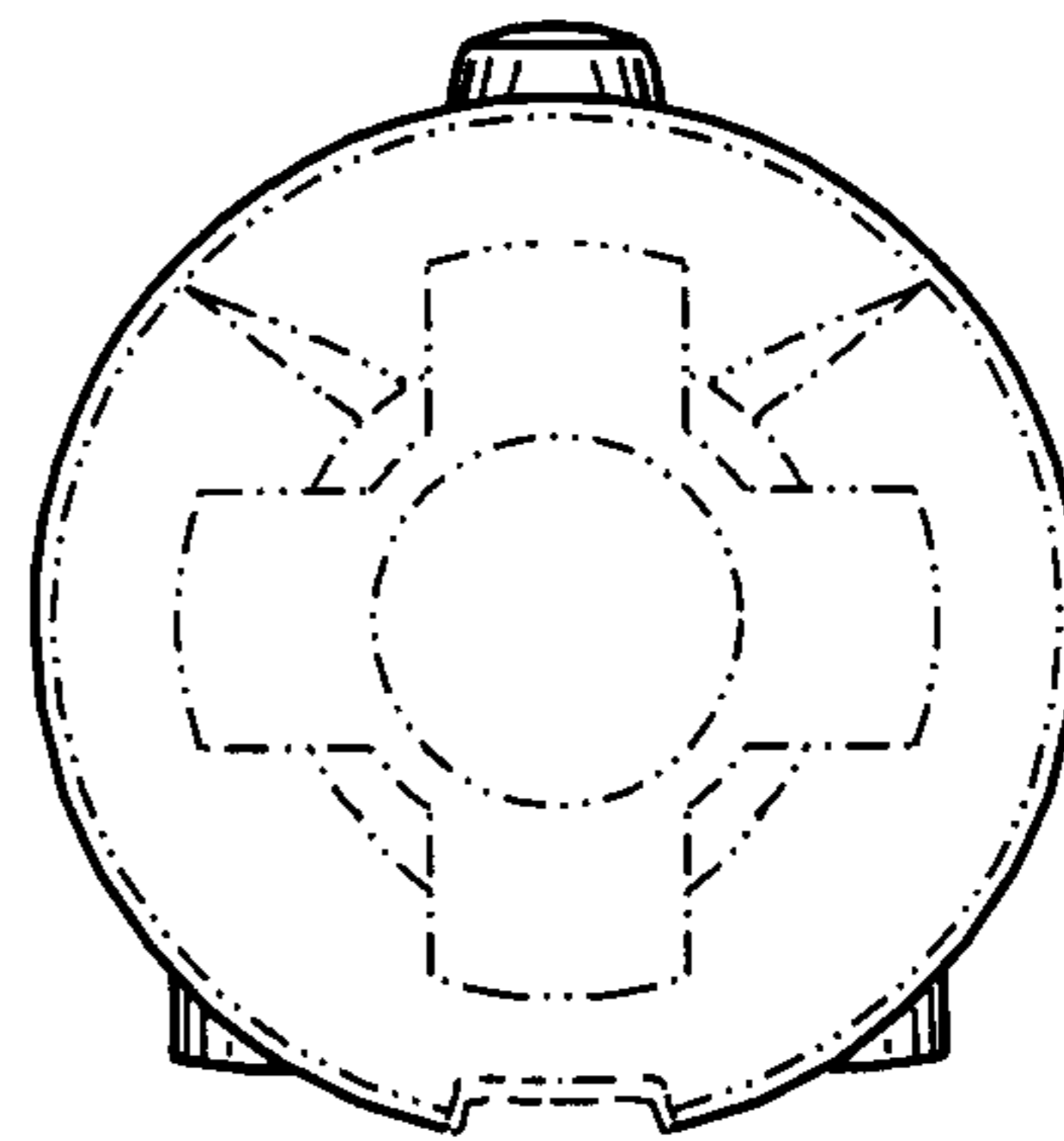


FIG. 5

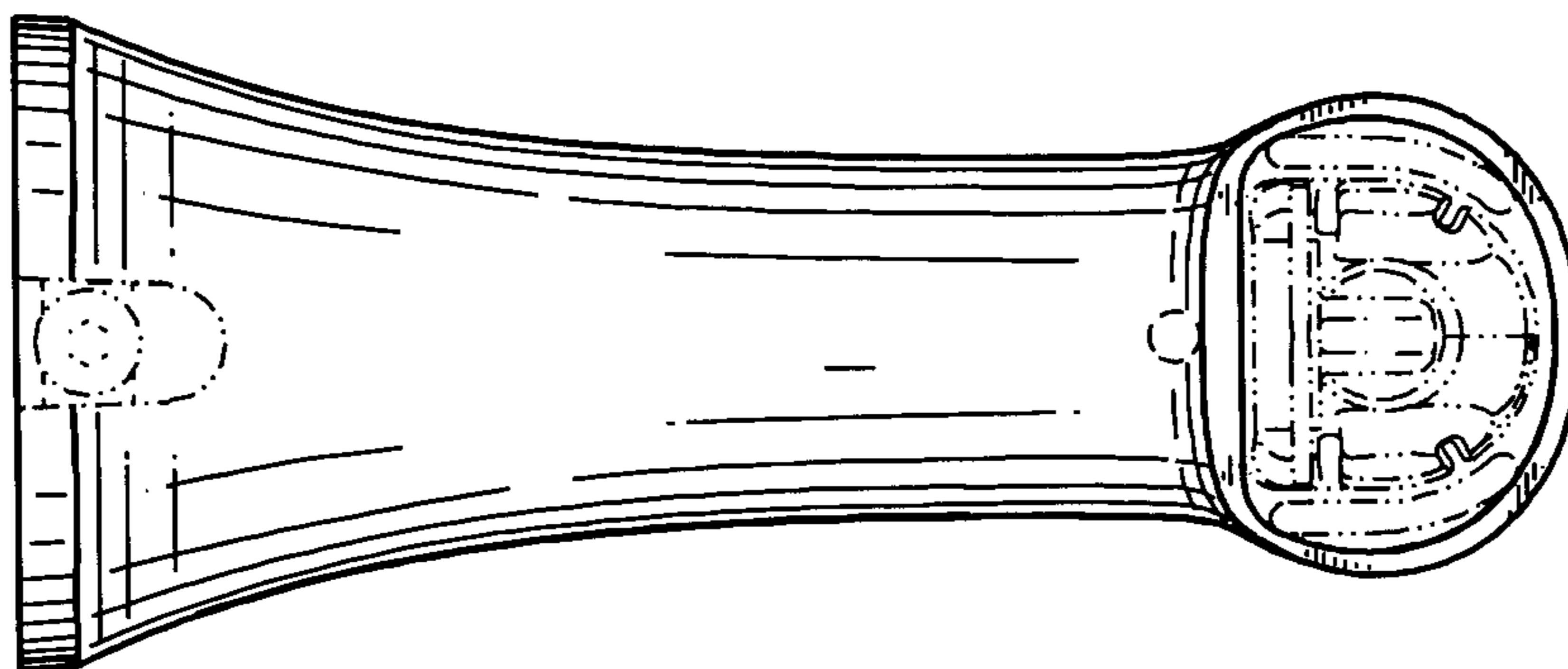


FIG. 6