



US00D531276S

(12) **United States Design Patent**
Tsai

(10) **Patent No.:** **US D531,276 S**

(45) **Date of Patent:** **** Oct. 31, 2006**

(54) **PLUMBING CONTROL**

(75) Inventor: **Hsin-I Canny Tsai**, Sheboygan, WI (US)

(73) Assignee: **Kohler, Co.**, Kohler, WI (US)

(**) Term: **14 Years**

(21) Appl. No.: **29/223,544**

(22) Filed: **Feb. 15, 2005**

(51) **LOC (8) Cl.** **23-01**

(52) **U.S. Cl.** **D23/254**

(58) **Field of Classification Search** D23/238-257;
D8/250-257, 300-322, DIG. 3; 16/110.1;
4/675-678; 137/801

See application file for complete search history.

(56) **References Cited**

U.S. PATENT DOCUMENTS

D395,812 S	*	7/1998	Doughty et al.	D8/321
D416,986 S	*	11/1999	Formgren	D23/252
D426,620 S	*	6/2000	Milrud et al.	D23/252
D458,989 S	*	6/2002	Mullenmeister	D23/254
D496,436 S	*	9/2004	Ouyoung	D23/252

* cited by examiner

Primary Examiner—Louis S. Zarfaz

Assistant Examiner—Gregory Andoll

(74) *Attorney, Agent, or Firm*—Quarles & Brady LLP

(57) **CLAIM**

The ornamental design for a plumbing control, as shown and described.

DESCRIPTION

In a preferred embodiment, the nature of this product is as a plumbing fitting in the form of a shower and/or bath control.

FIG. 1 is a left, bottom, front perspective view of a plumbing control according to my new design;

FIG. 2 is a front elevational view thereof;

FIG. 3 is a left side elevational view thereof, the right side elevational view thereof being a mirror image of the left side shown;

FIG. 4 is a top plan view thereof;

FIG. 5 is a bottom plan view thereof;

FIG. 6 is a rear elevational view thereof;

FIG. 7 is a left, bottom, front perspective view of a plumbing control identical to the first but shown in a different environment;

FIG. 8 is a front elevational view thereof;

FIG. 9 is a left side elevational view thereof, the right side elevational view thereof being a mirror image of the left side shown;

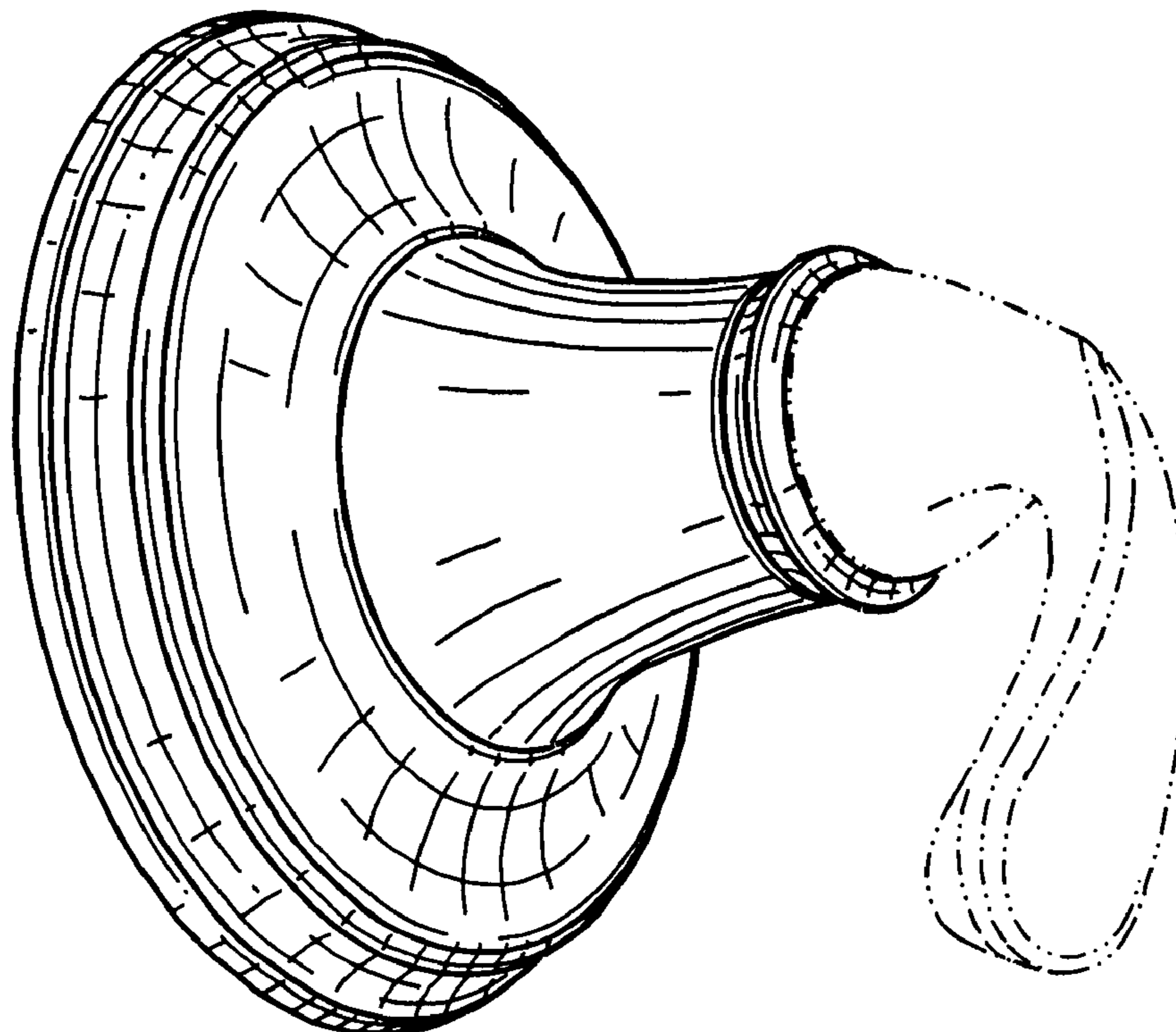
FIG. 10 is a top plan view thereof;

FIG. 11 is a bottom plan view thereof; and,

FIG. 12 is a rear elevational view thereof.

The broken line representations of handle environment in the figures and of back side structure in FIGS. 6 and 12 are for the purpose of illustration only, and form no part of the claimed design.

1 Claim, 6 Drawing Sheets



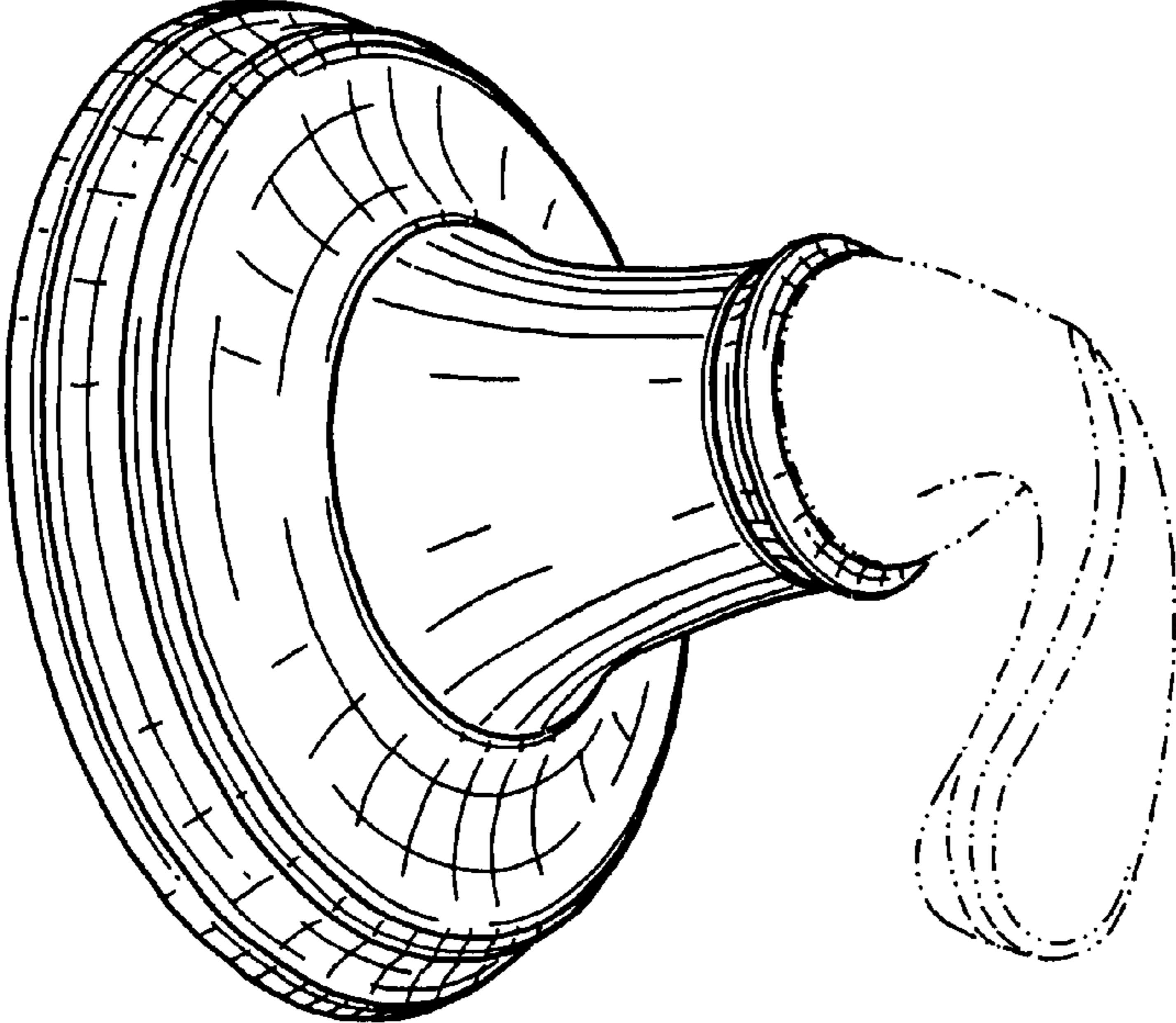
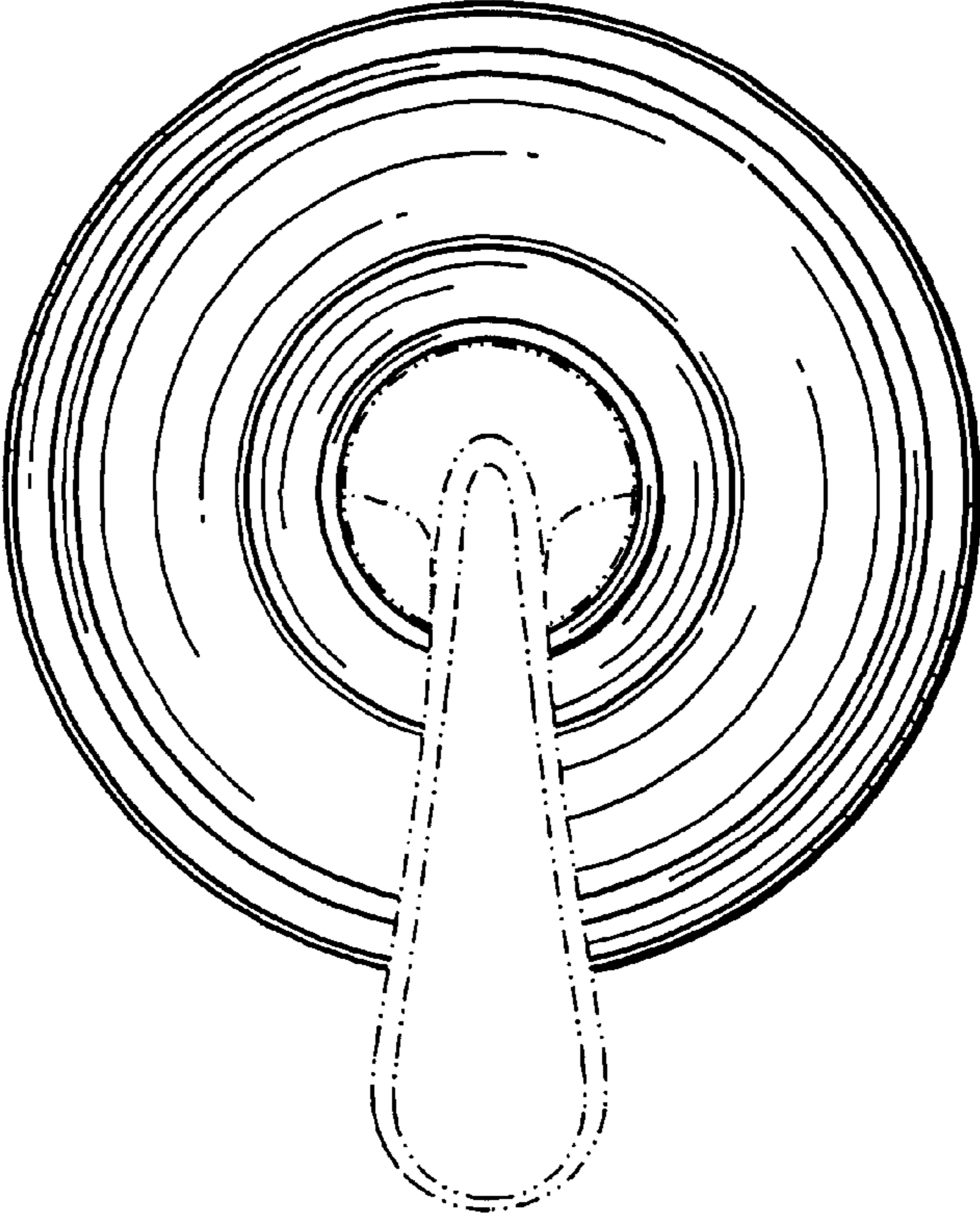


FIG. 1

FIG. 2



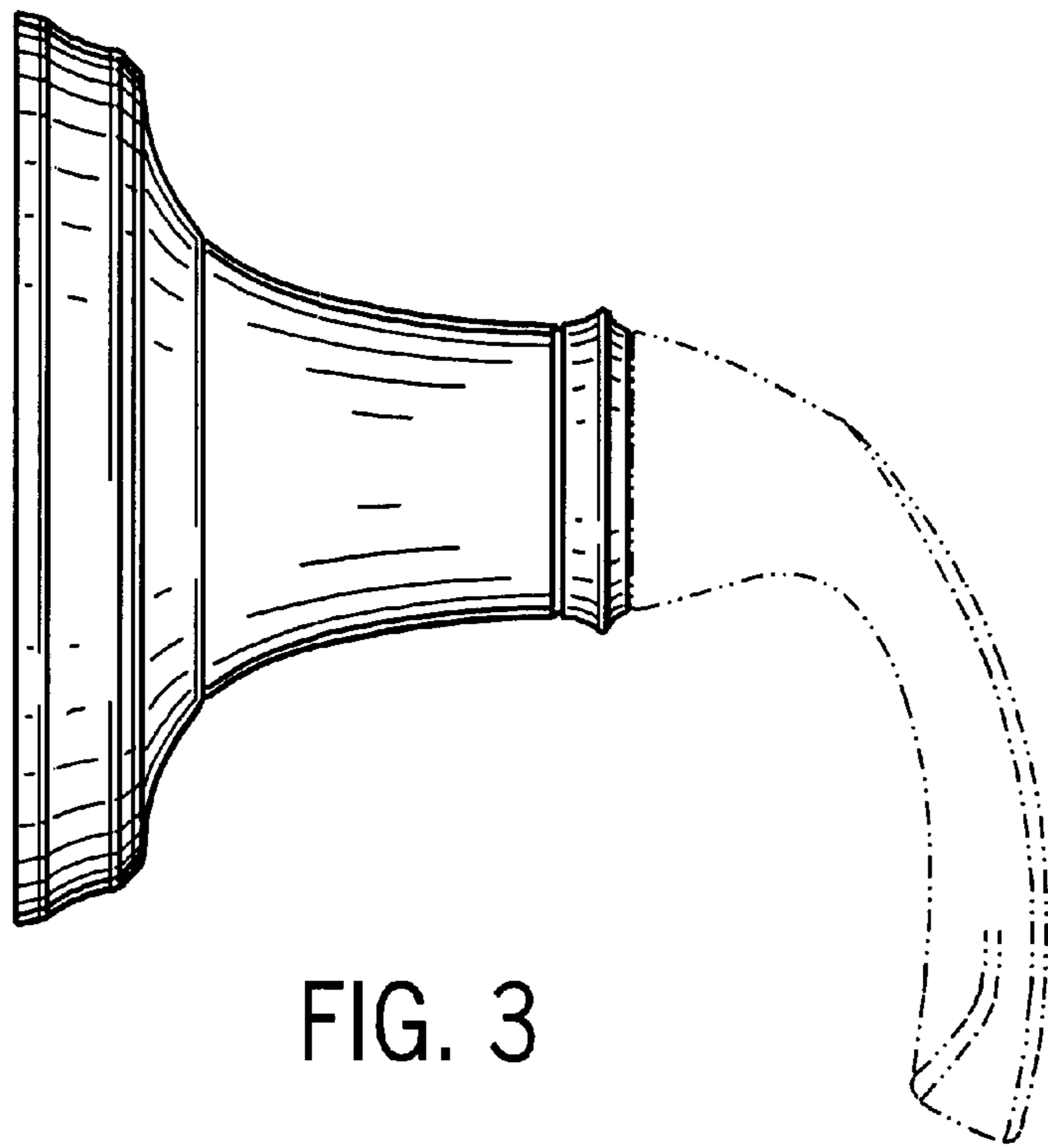
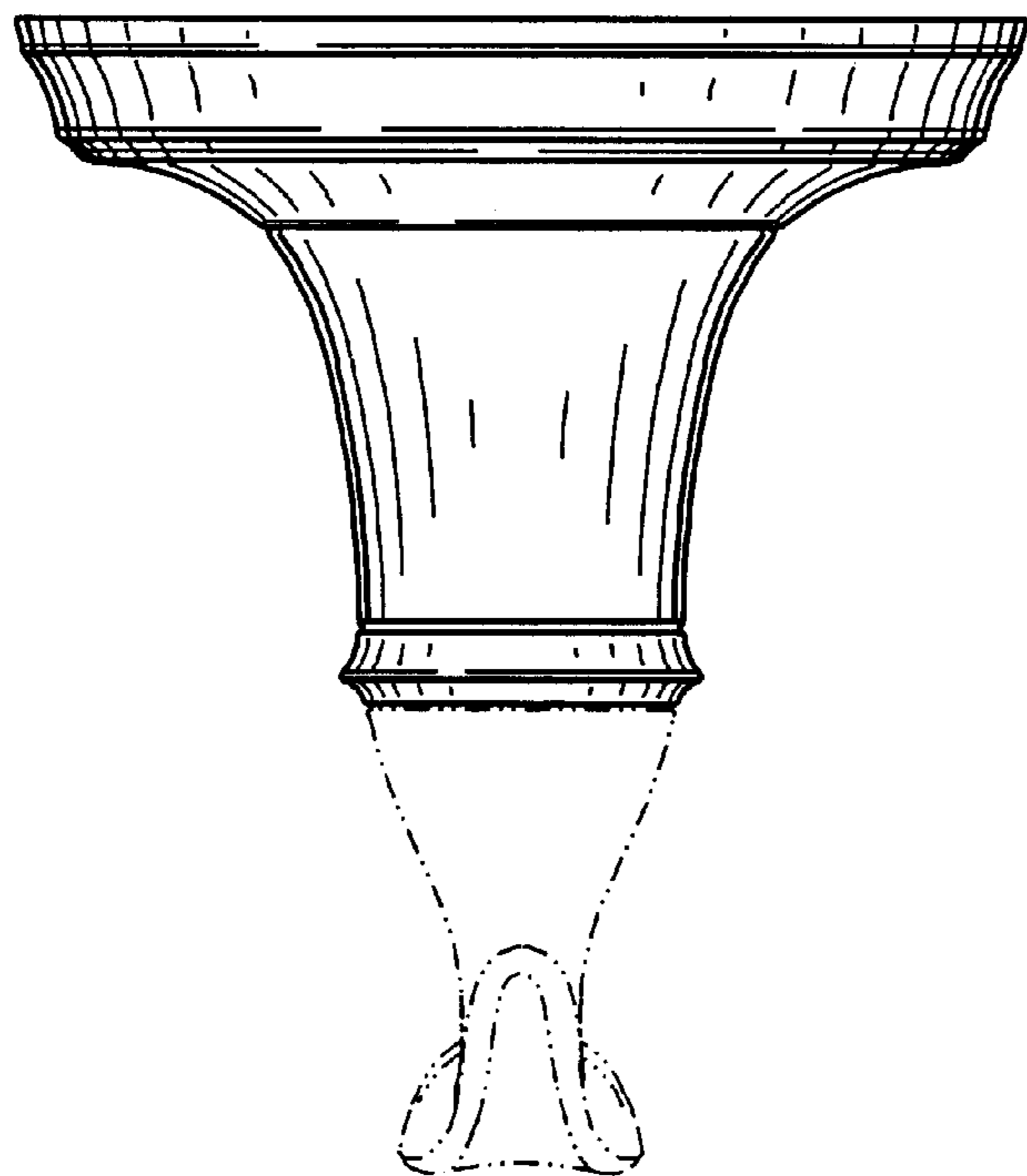


FIG. 3

FIG. 4



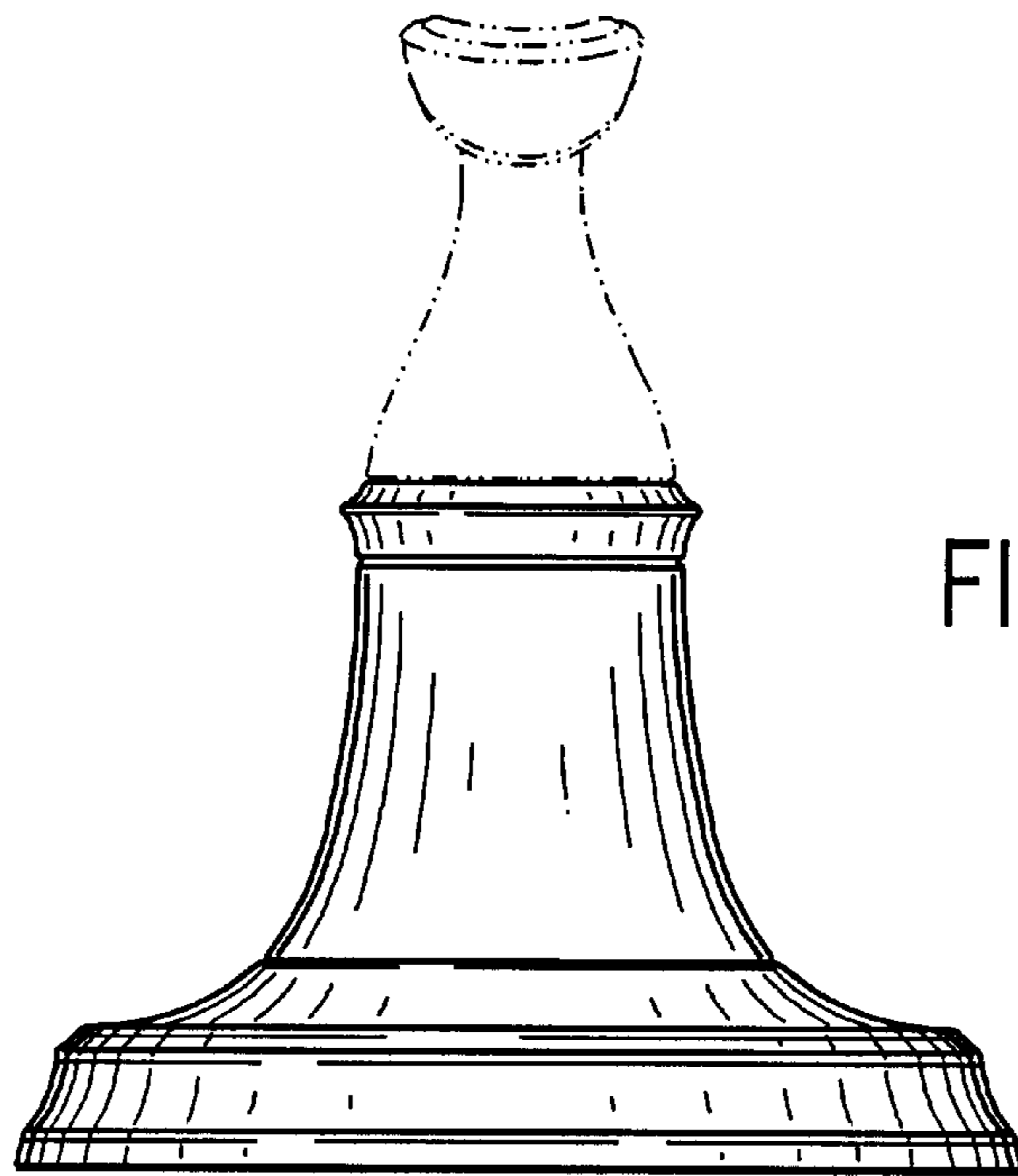


FIG. 5

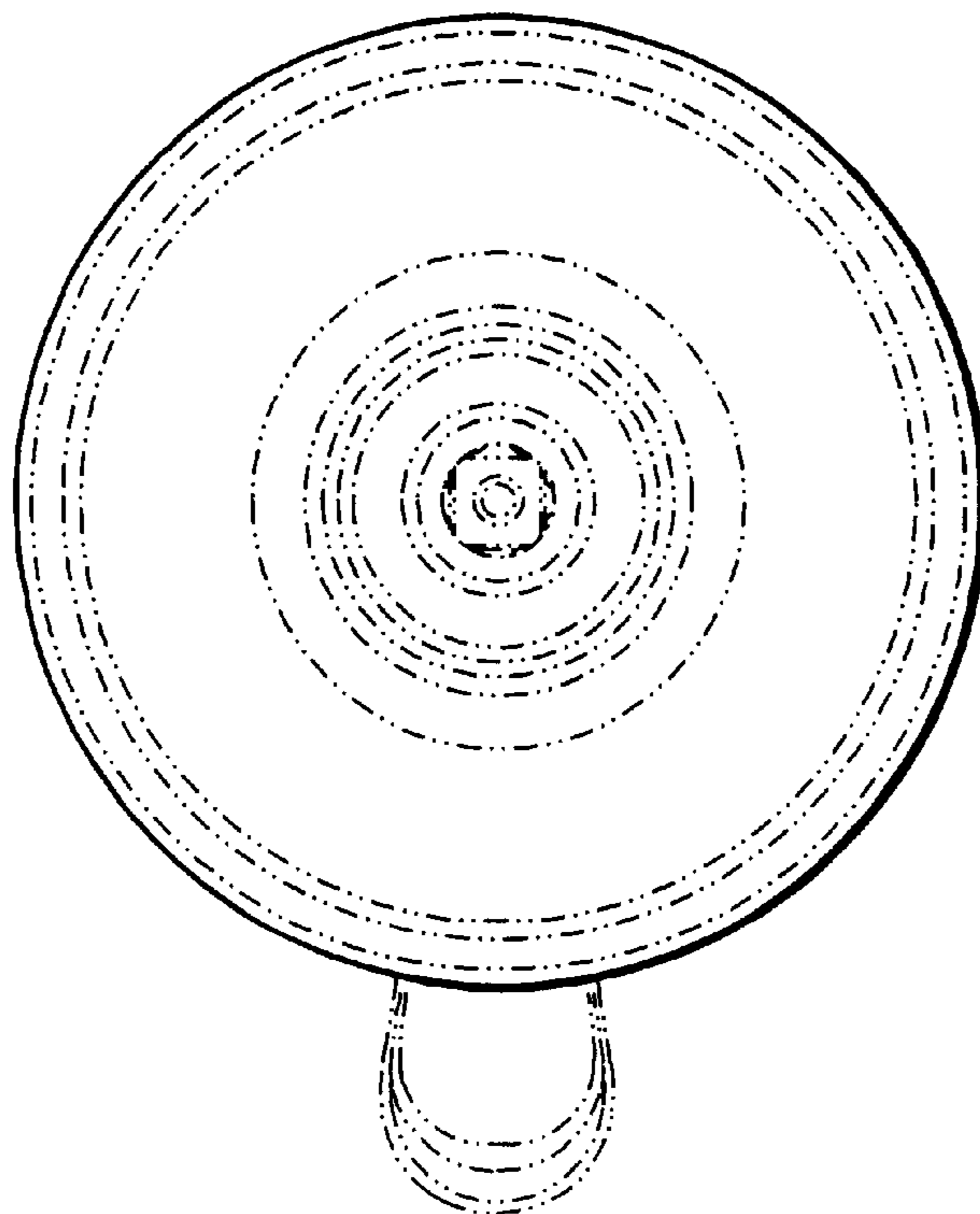


FIG. 6

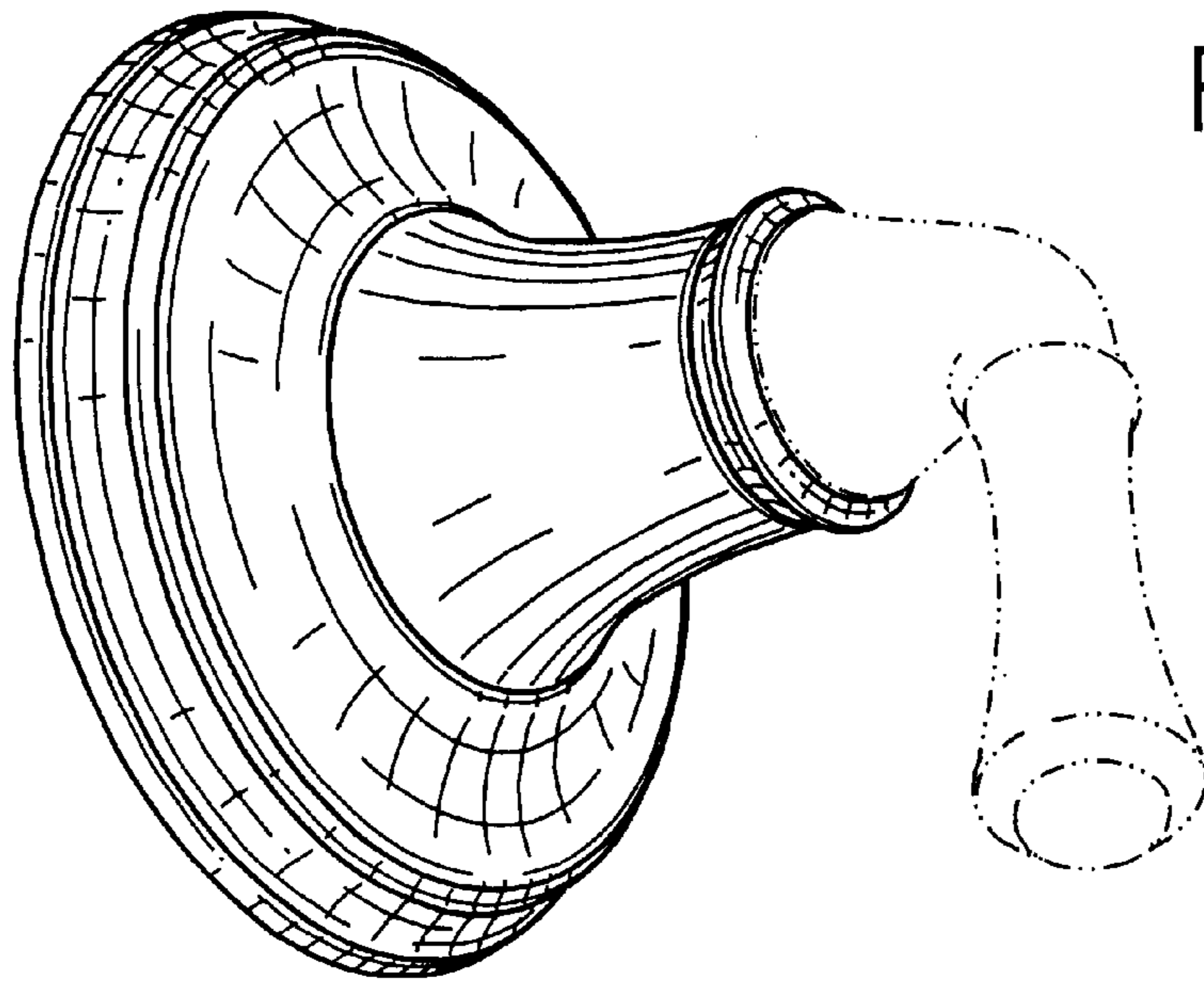
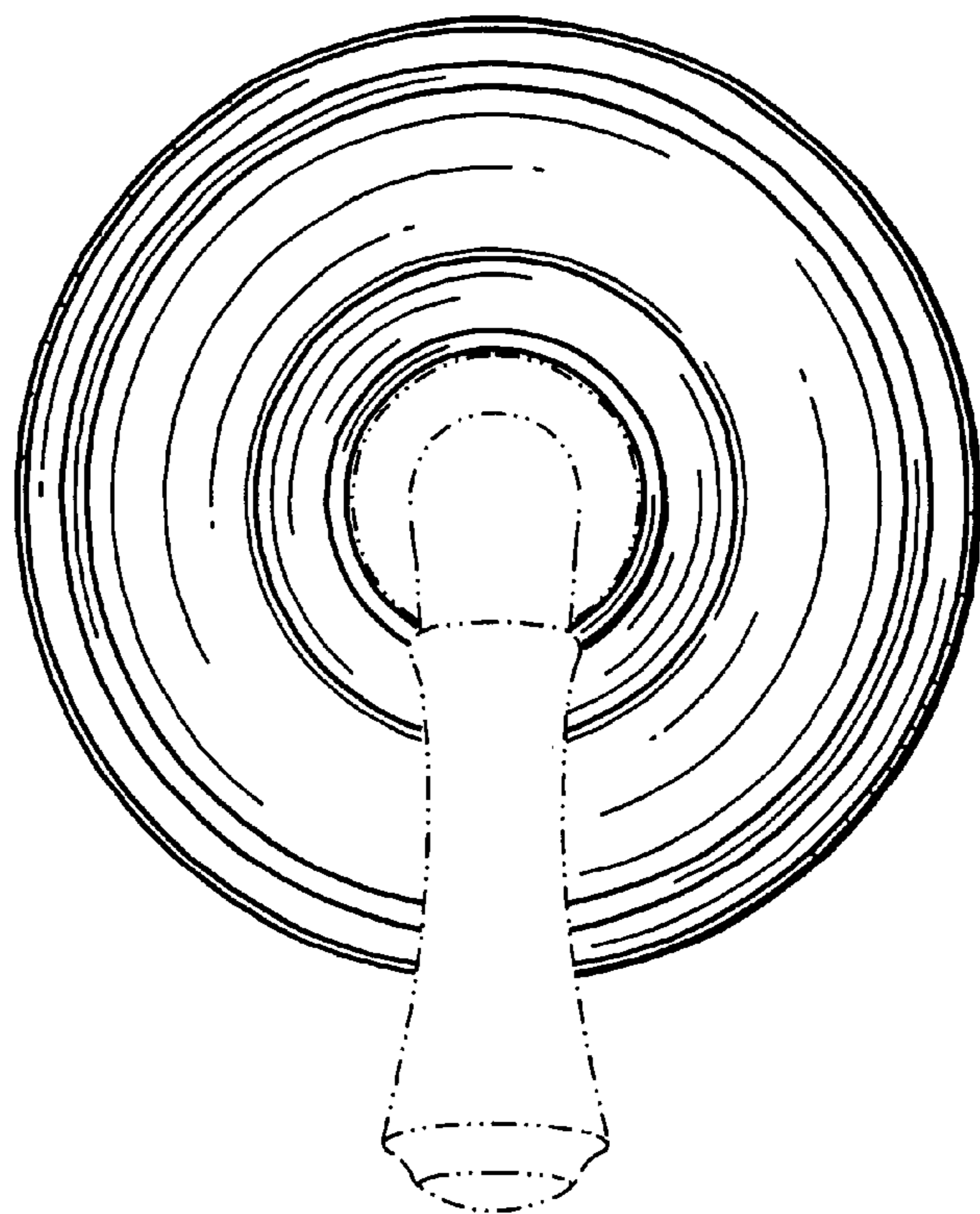


FIG. 7

FIG. 8



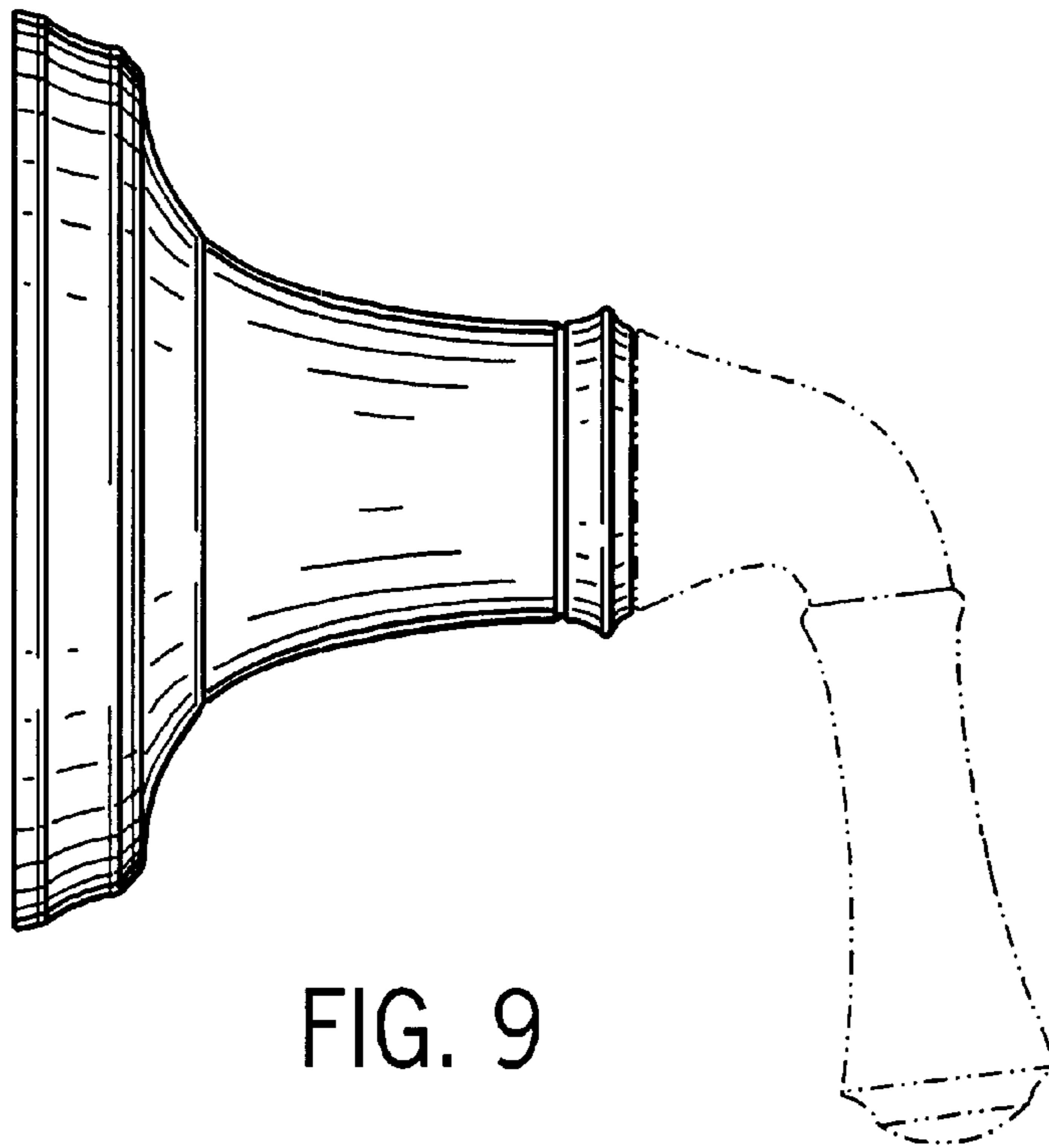


FIG. 9

FIG. 10

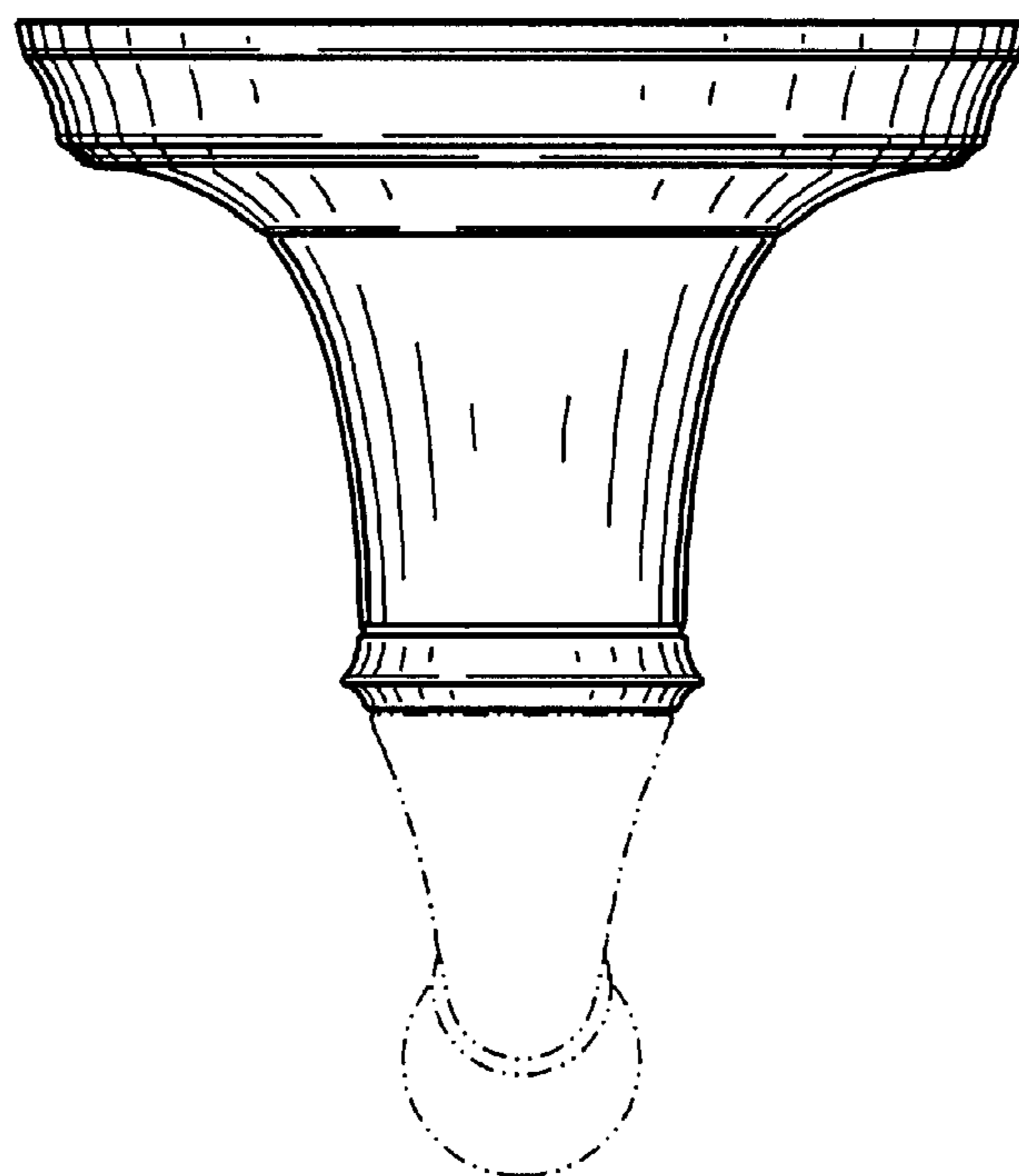


FIG. 11

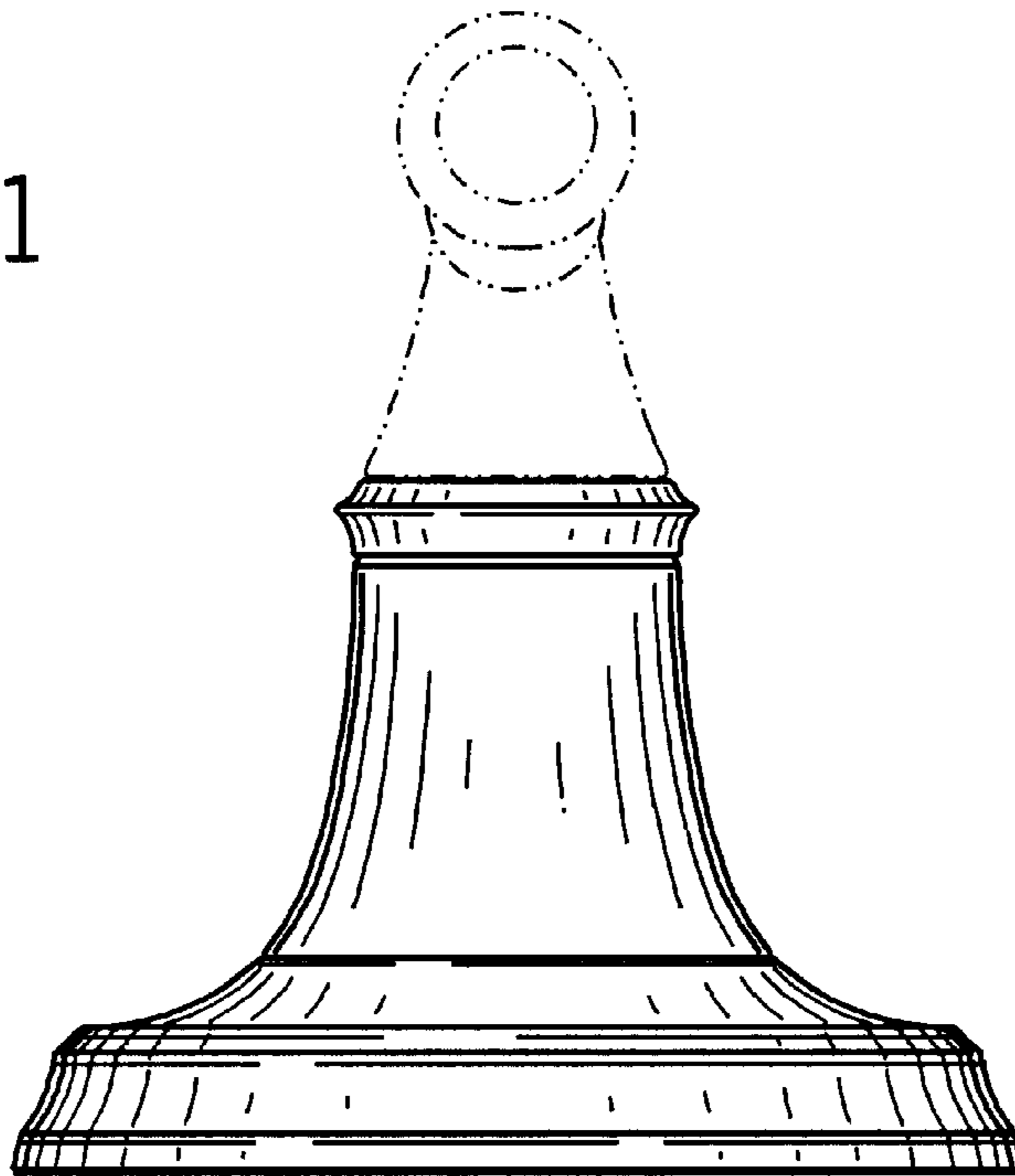


FIG. 12

