



US00D531270S

(12) **United States Design Patent**  
**Smith**

(10) **Patent No.:** **US D531,270 S**

(45) **Date of Patent:** **\*\* Oct. 31, 2006**

(54) **BATH SHOWER MIXER**

D510,982 S \* 10/2005 Painsi ..... D23/241

(75) Inventor: **Antony Smith**, Etching Hill (GB)

\* cited by examiner

(73) Assignee: **Bristan, Ltd.** (GB)

*Primary Examiner*—Louis S. Zarfes

*Assistant Examiner*—Gregory Andoll

(\*\*) Term: **14 Years**

(74) *Attorney, Agent, or Firm*—Kwadjo Adusei-Poku;

Lloyd D. Doigan

(21) Appl. No.: **29/239,944**

(57) **CLAIM**

(22) Filed: **Oct. 6, 2005**

The ornamental design for a bath shower mixer, as shown and described.

(51) **LOC (8) Cl.** ..... **23-01**

(52) **U.S. Cl.** ..... **D23/241; D23/242**

(58) **Field of Classification Search** ..... D23/238–257;  
4/675–678; 137/801

See application file for complete search history.

**DESCRIPTION**

FIG. 1 is a front perspective view of a bath shower mixer showing my design;

FIG. 2 is a front elevational view thereof;

FIG. 3 is a rear elevational view thereof;

FIG. 4 is a right side elevational view thereof;

FIG. 5 is a left side elevational view thereof; and,

FIG. 6 is a top plan view thereof.

(56) **References Cited**

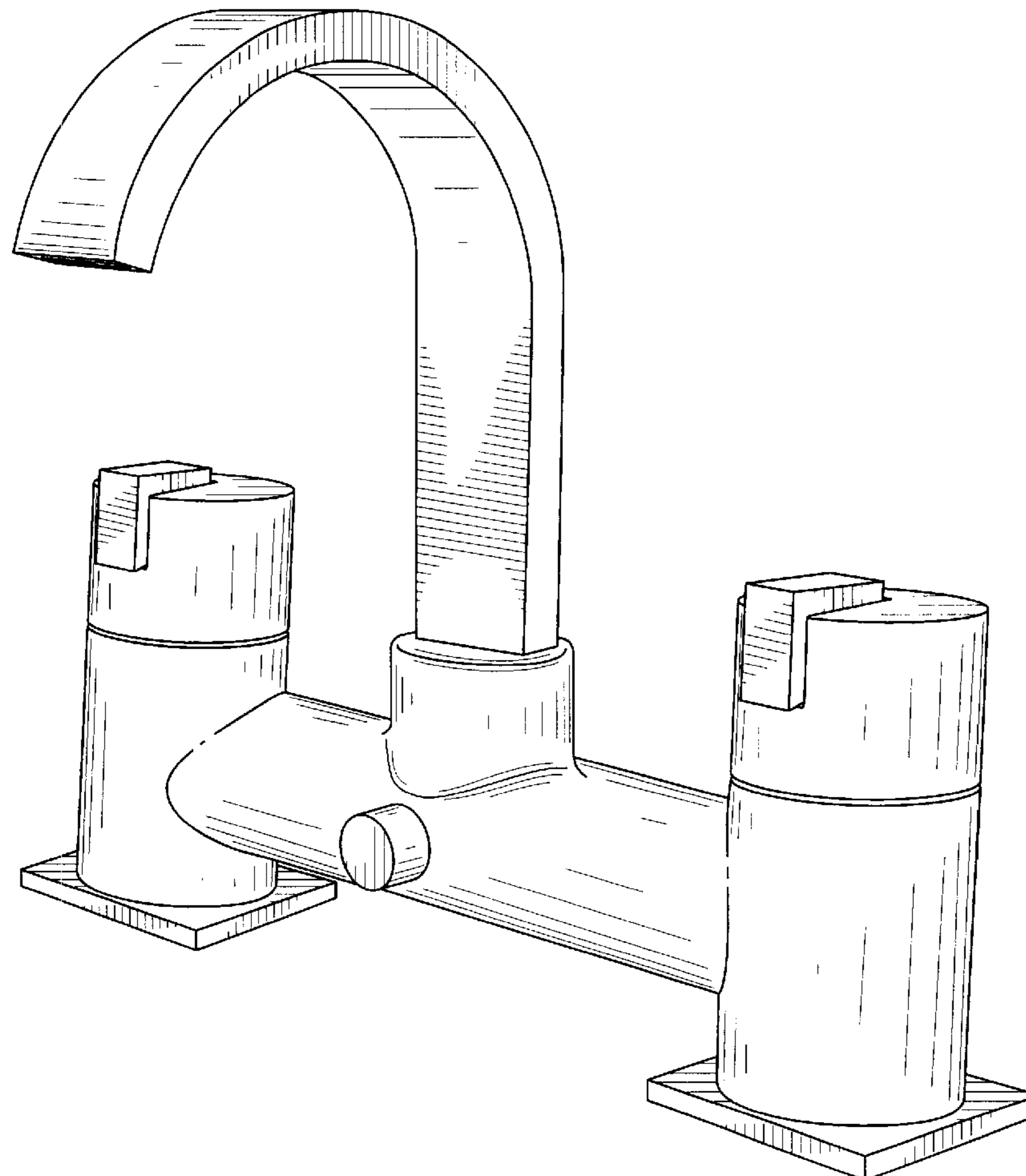
U.S. PATENT DOCUMENTS

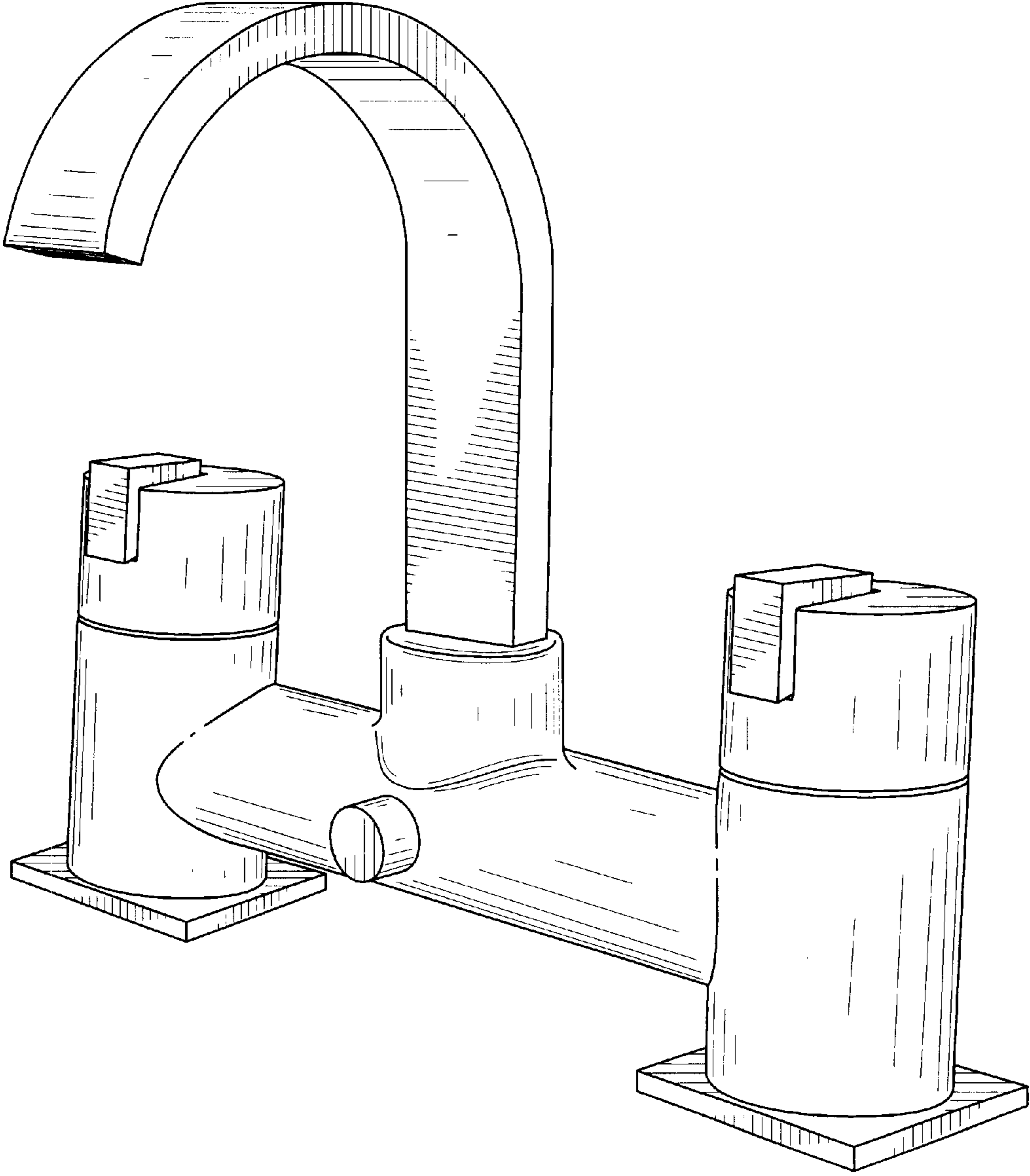
D280,232 S \* 8/1985 Paul ..... D23/242

D492,392 S \* 6/2004 Pohl et al. .... D23/242

D510,613 S \* 10/2005 Lammel et al. .... D23/241

**1 Claim, 6 Drawing Sheets**





**FIG. 1**

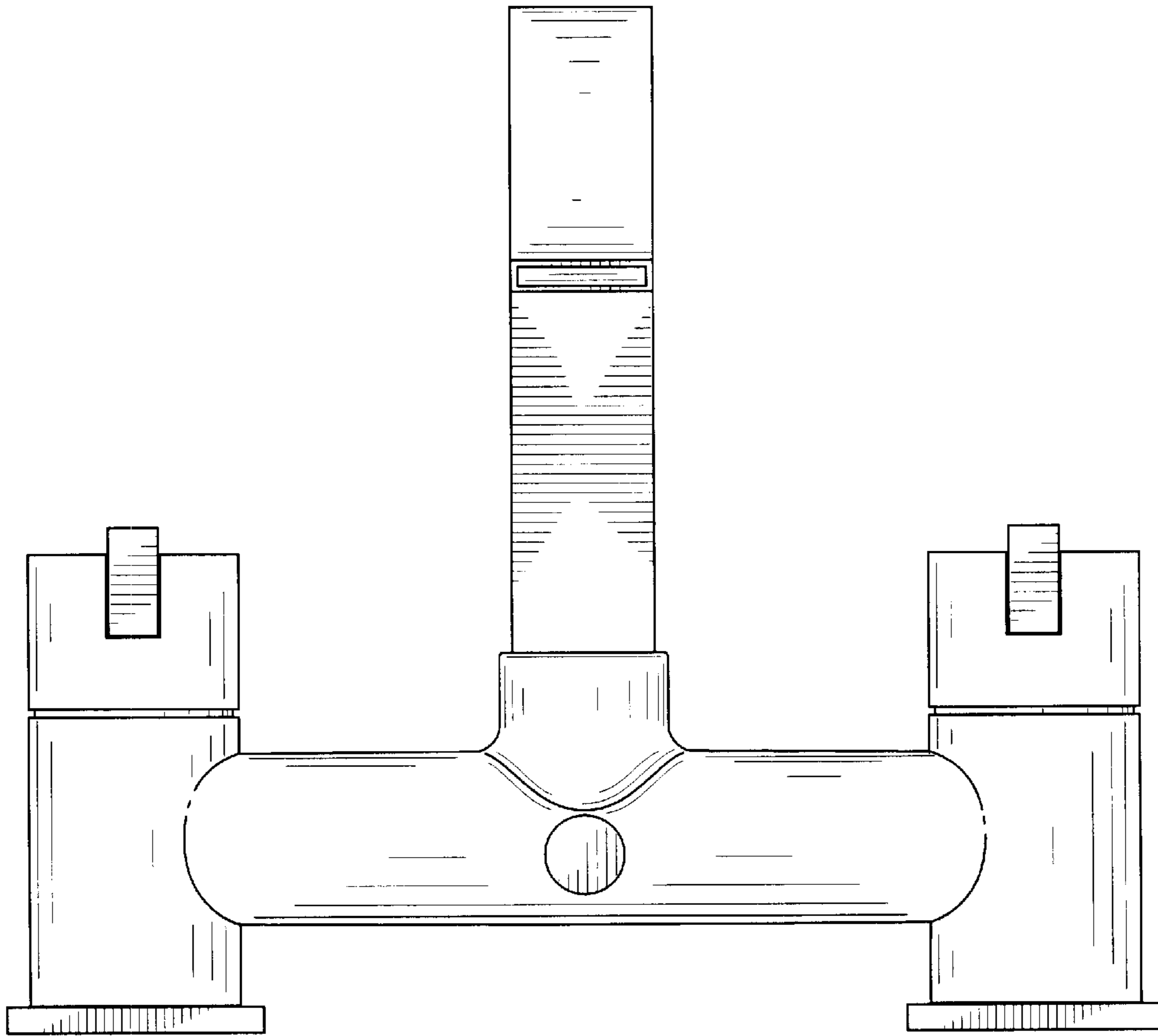
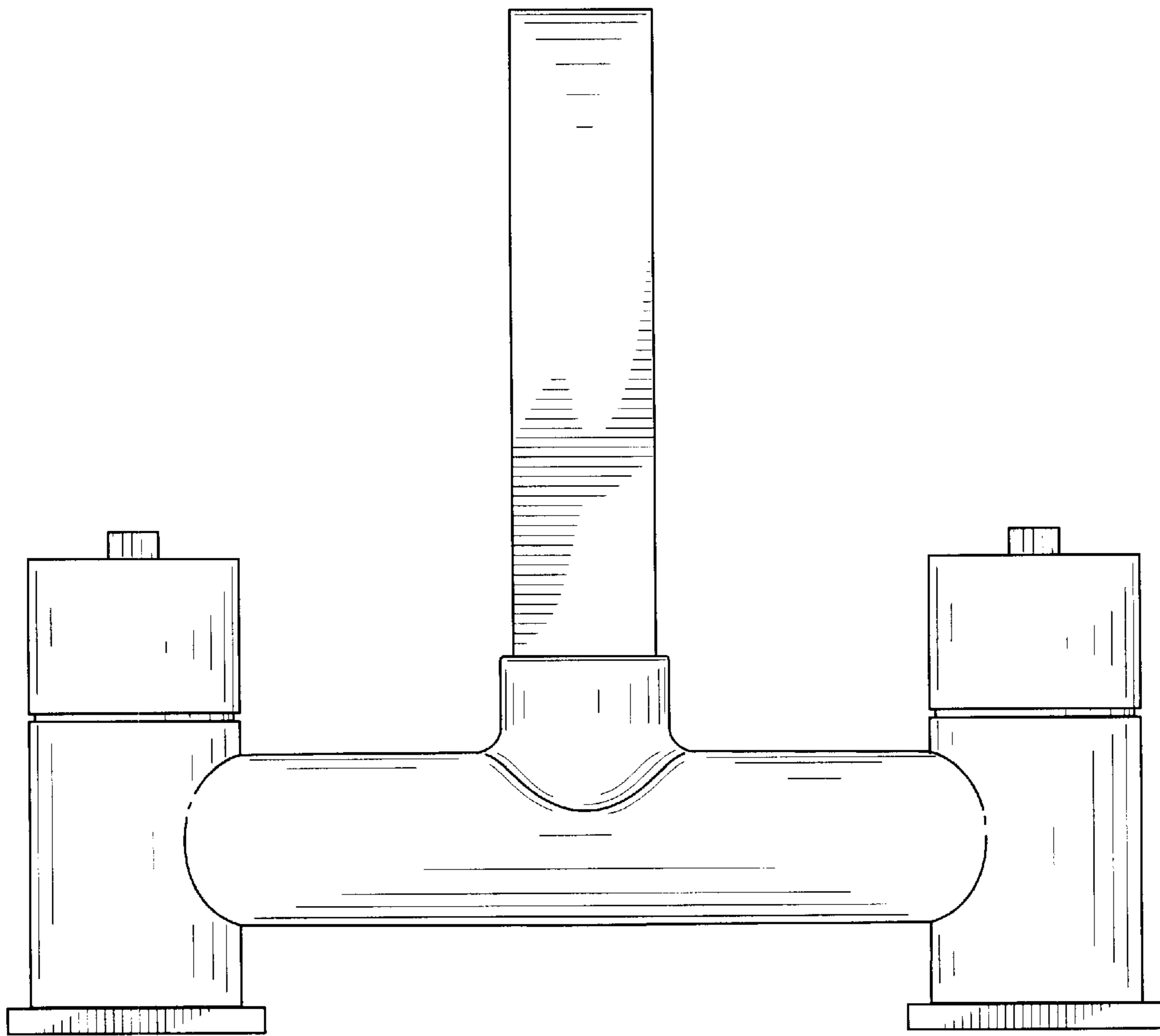
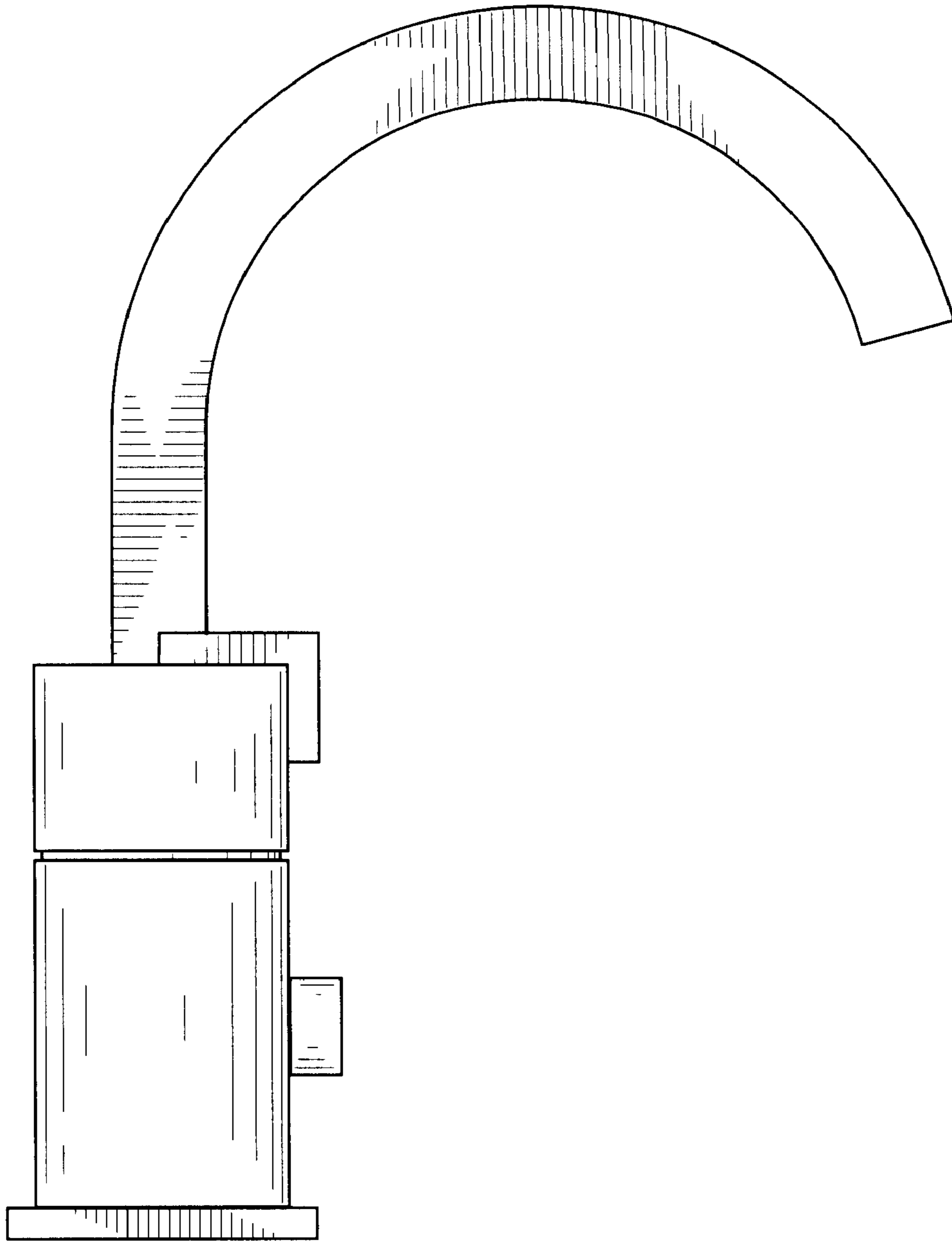


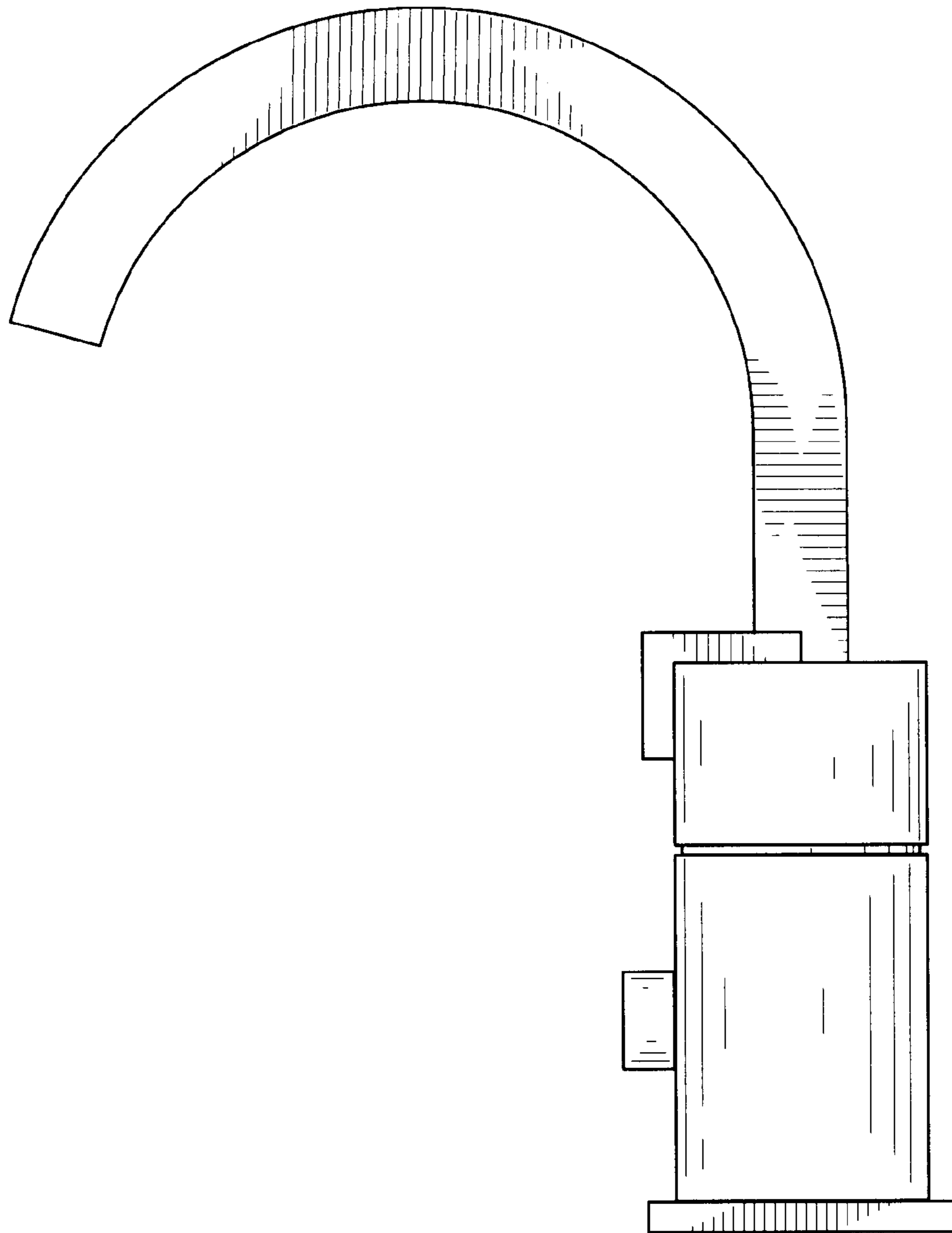
FIG. 2



**FIG. 3**



**FIG. 4**



**FIG. 5**

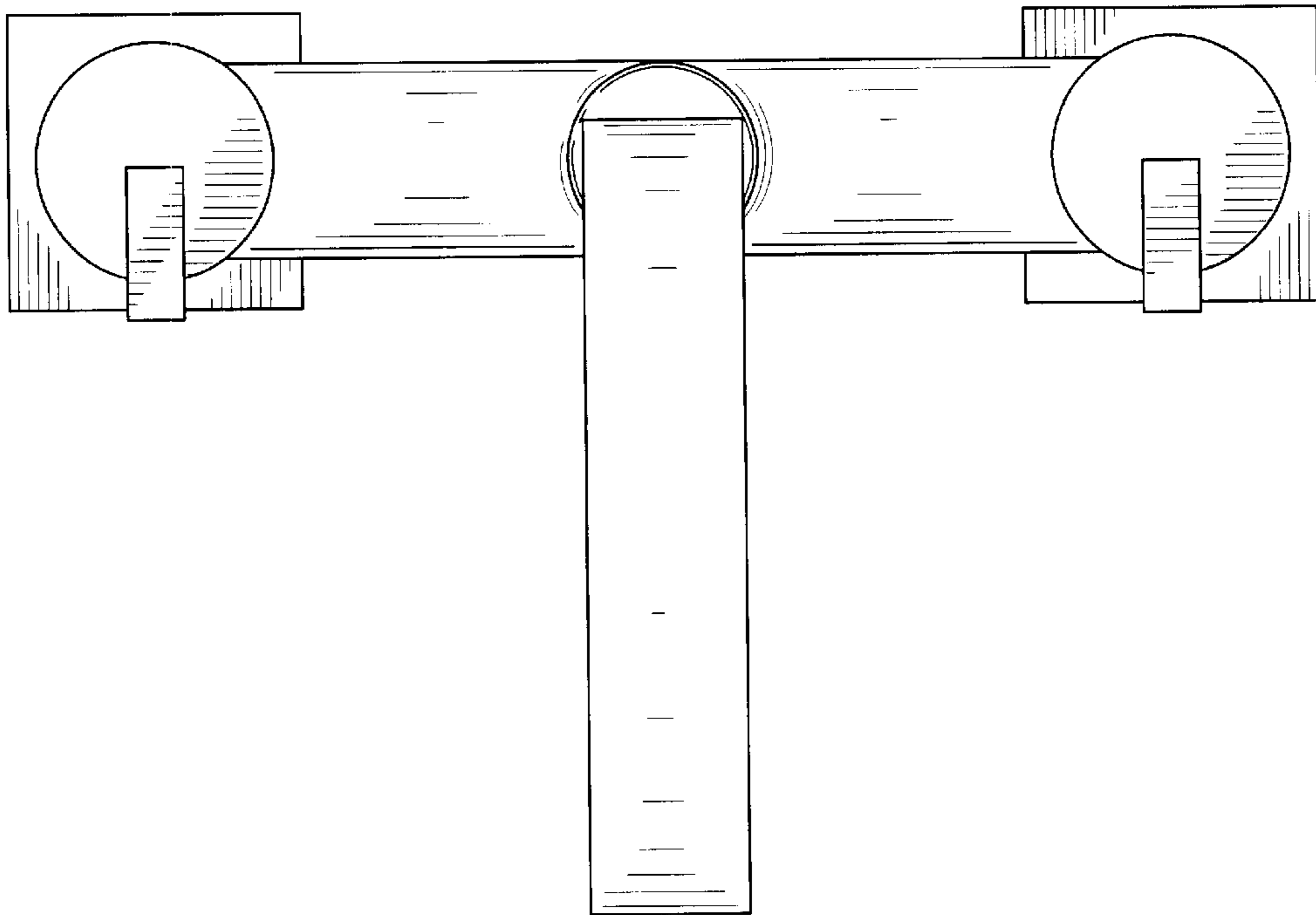


FIG. 6