



US00D531267S

(12) **United States Design Patent**
Hundley

(10) **Patent No.:** **US D531,267 S**

(45) **Date of Patent:** **** Oct. 31, 2006**

(54) **PLUMBING FITTING**

(75) Inventor: **Jill E. Hundley**, Sheboygan, WI (US)

(73) Assignee: **Kohler, Co.**, Kohler, WI (US)

(**) Term: **14 Years**

(21) Appl. No.: **29/215,891**

(22) Filed: **Oct. 26, 2004**

(51) **LOC (8) Cl.** **23-01**

(52) **U.S. Cl.** **D23/238**

(58) **Field of Classification Search** D23/238-257;
4/675-678; 137/801

See application file for complete search history.

(56) **References Cited**

U.S. PATENT DOCUMENTS

D291,590 S	8/1987	Bengtsson	
D349,326 S	* 8/1994	Bollenbacher D23/238
D406,877 S	* 3/1999	Esche et al. D23/243
D417,490 S	12/1999	Formgren	
D420,430 S	2/2000	Lobermeier	
D461,875 S	8/2002	Gottwald	
D466,977 S	12/2002	Cummings	
D478,151 S	* 8/2003	Ouyoung D23/238
D478,370 S	8/2003	Ouyoung	
D479,581 S	9/2003	Haug et al.	
D481,105 S	10/2003	Wettstein et al.	

OTHER PUBLICATIONS

Kohler catalog page, "Coralais" Series, Lavatory faucets, revised Apr. 1988.

* cited by examiner

Primary Examiner—Louis S. Zarfes

Assistant Examiner—Gregory Andoll

(74) *Attorney, Agent, or Firm*—Quarles & Brady, LLP

(57) **CLAIM**

The ornamental design for a plumbing fitting, as shown and described.

DESCRIPTION

In a preferred embodiment, the nature of this product is a plumbing fitting for washing human body parts.

FIG. 1 is a top, left, front perspective view of a plumbing fitting according to my new design, in the form of a portion of a faucet;

FIG. 2 is a left side elevational view thereof, the right side elevational view thereof being a mirror image of the left side shown;

FIG. 3 is a front elevational view thereof;

FIG. 4 is a rear elevational view thereof;

FIG. 5 is a top plan view thereof; and,

FIG. 6 is a bottom plan view thereof.

The broken lines in the Figures are for illustrative purposes only and form no part of the claimed design.

1 Claim, 2 Drawing Sheets

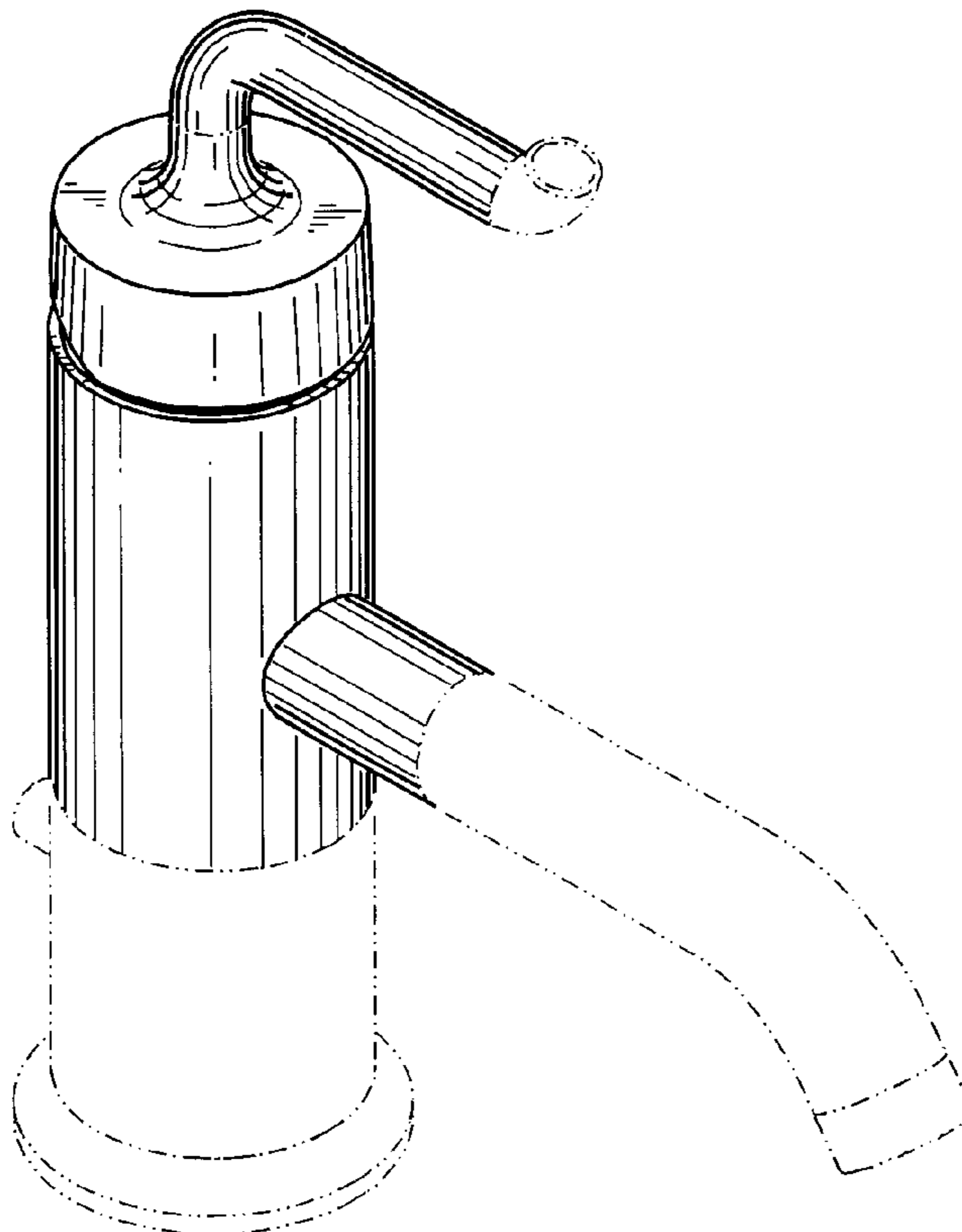


FIG. 1

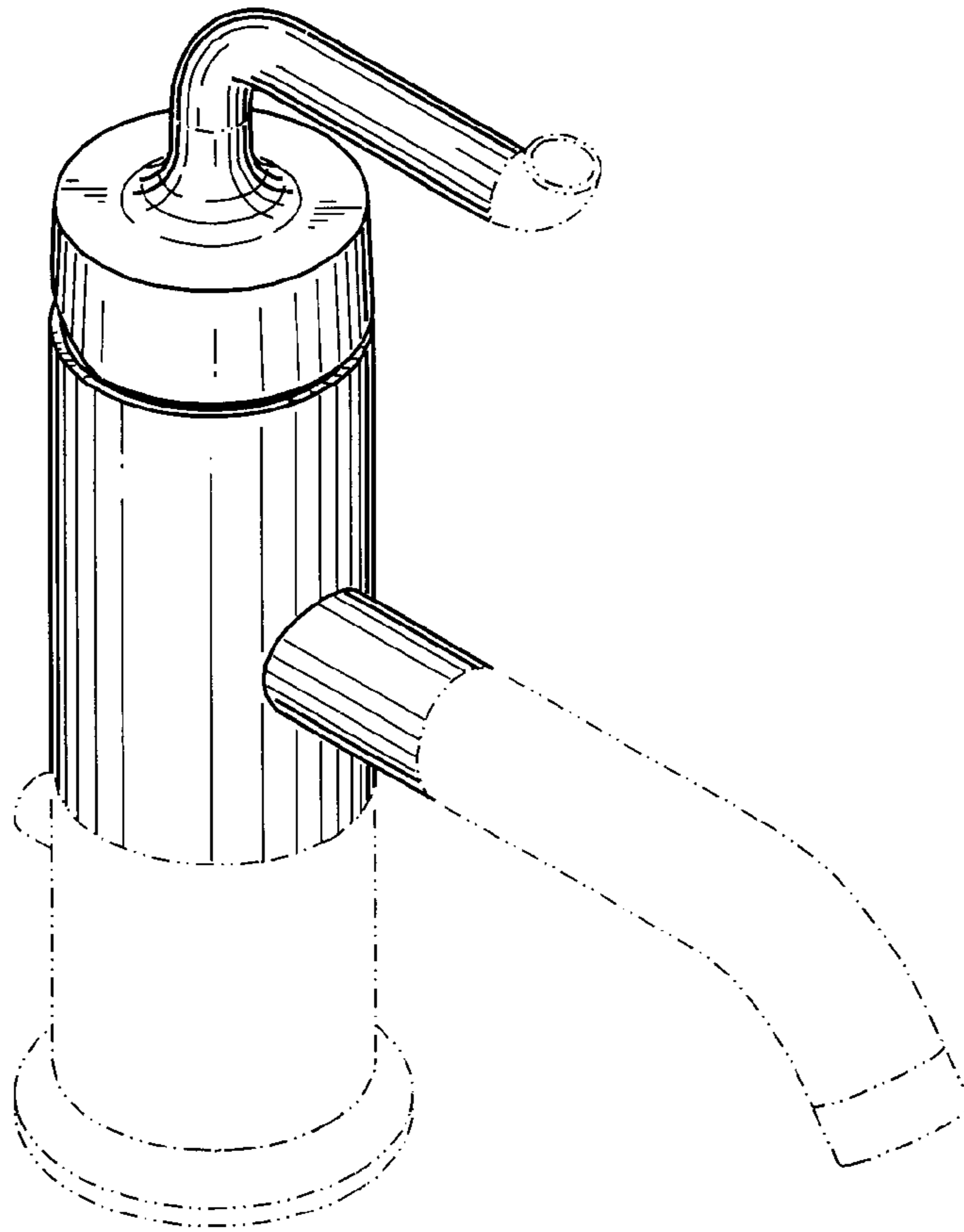
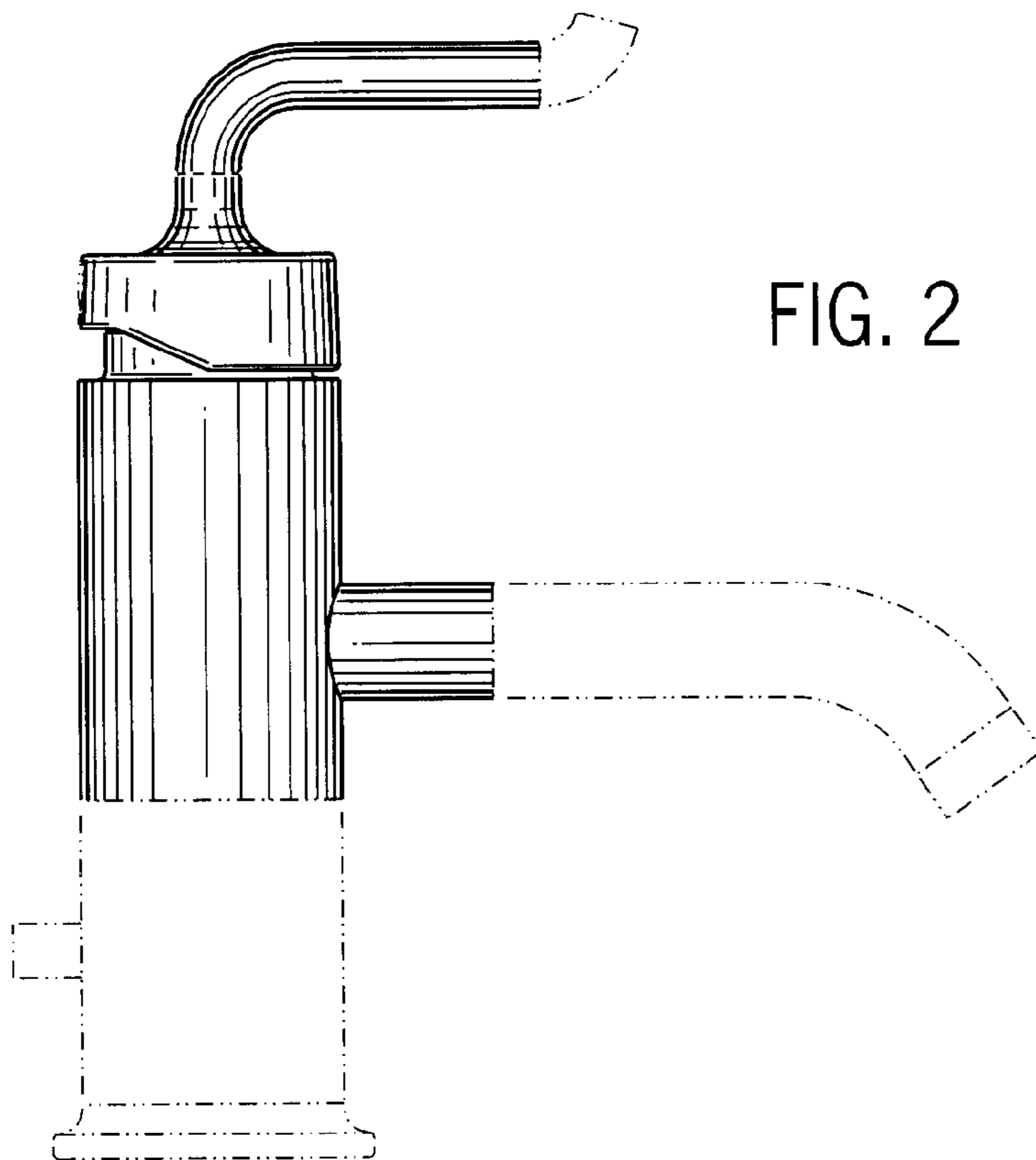


FIG. 2



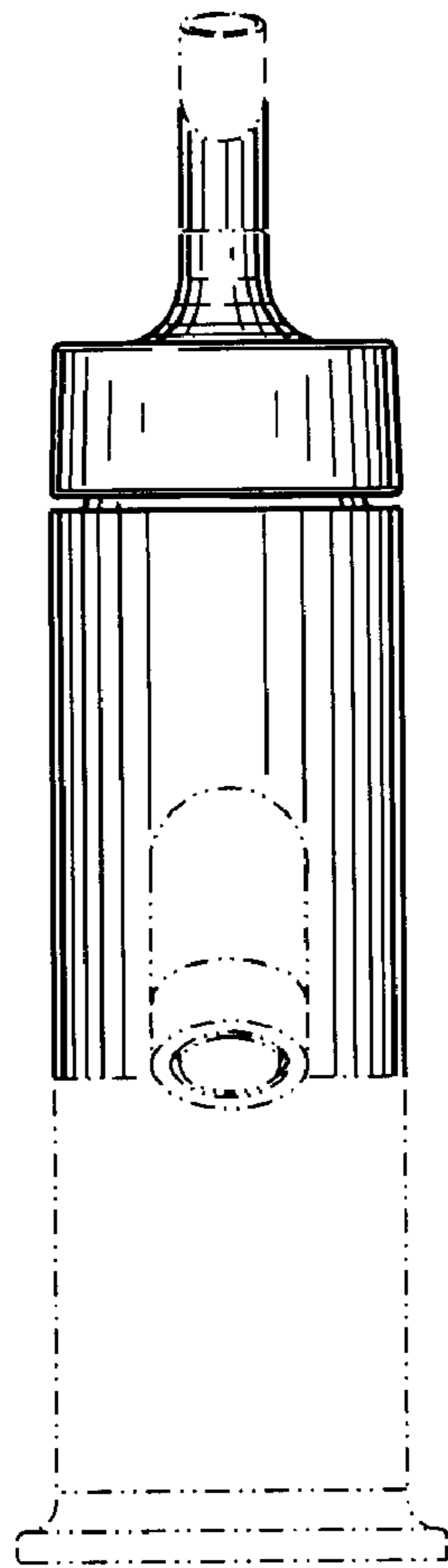


FIG. 3

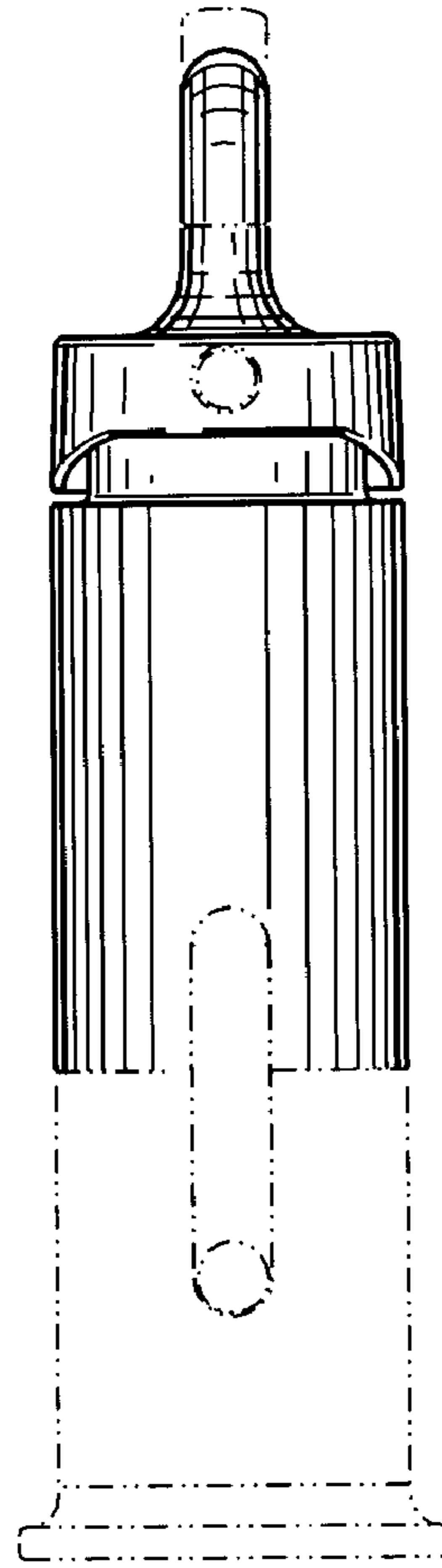


FIG. 4

FIG. 5

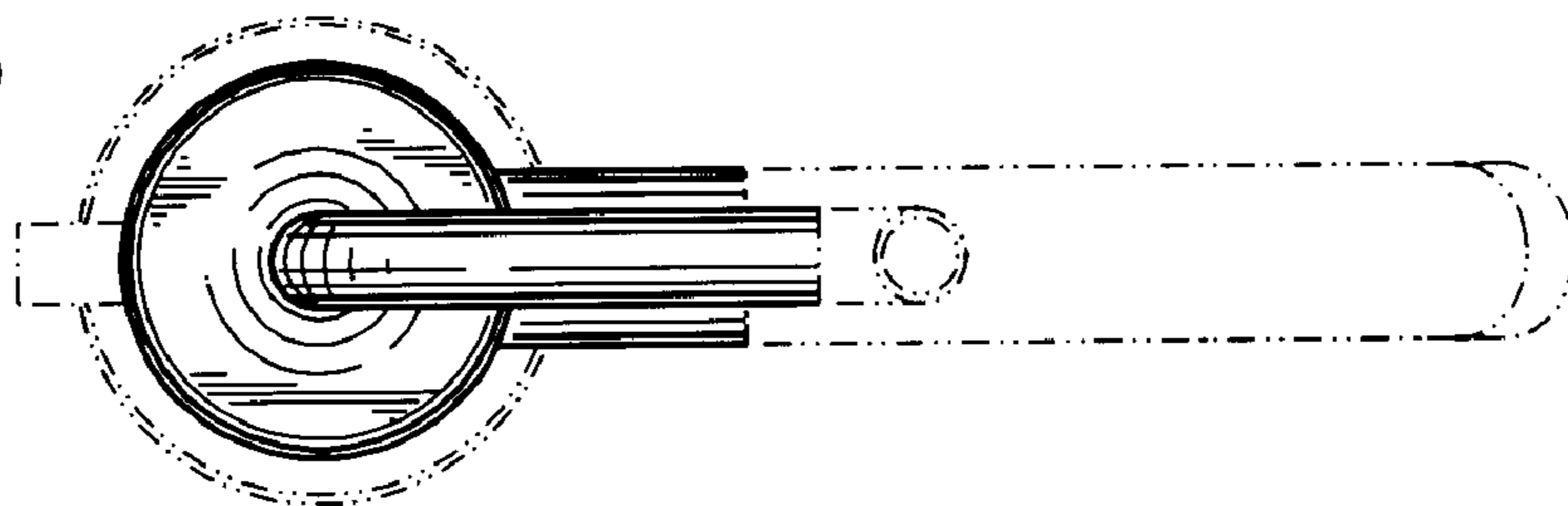


FIG. 6

