



US00D531263S

(12) **United States Design Patent**  
**Tse**

(10) **Patent No.:** **US D531,263 S**

(45) **Date of Patent:** **\*\* Oct. 31, 2006**

(54) **SPRAY HEAD FOR SHOWERS**

(76) Inventor: **Hing Fai Gary Tse**, 1908-1911, 19/F,  
Telford House, 16 Wang Hoi Road,  
Kowloon Bay, Kowloon, Hong Kong  
(CN)

(\*\*) Term: **14 Years**

(21) Appl. No.: **29/229,467**

(22) Filed: **May 9, 2005**

(51) **LOC (8) Cl.** ..... **23-01**

(52) **U.S. Cl.** ..... **D23/213; D23/229**

(58) **Field of Classification Search** ..... D23/213,  
D23/223, 229-30; 239/282-3, 462  
See application file for complete search history.

(56) **References Cited**

**U.S. PATENT DOCUMENTS**

D43,894 S \* 4/1913 Recker ..... D23/213  
D501,242 S \* 1/2005 Blomstrom ..... D23/229

D508,730 S \* 8/2005 Blomstrom ..... D23/229  
D512,763 S \* 12/2005 Blomstrom ..... D23/229  
D514,197 S \* 1/2006 Gilbert ..... D23/229

\* cited by examiner

*Primary Examiner*—Robin Webster

(57) **CLAIM**

The ornamental design for a spray head for showers, as shown and described.

**DESCRIPTION**

The claimed spray head for showers is used for releasing drops of water through the small holes.

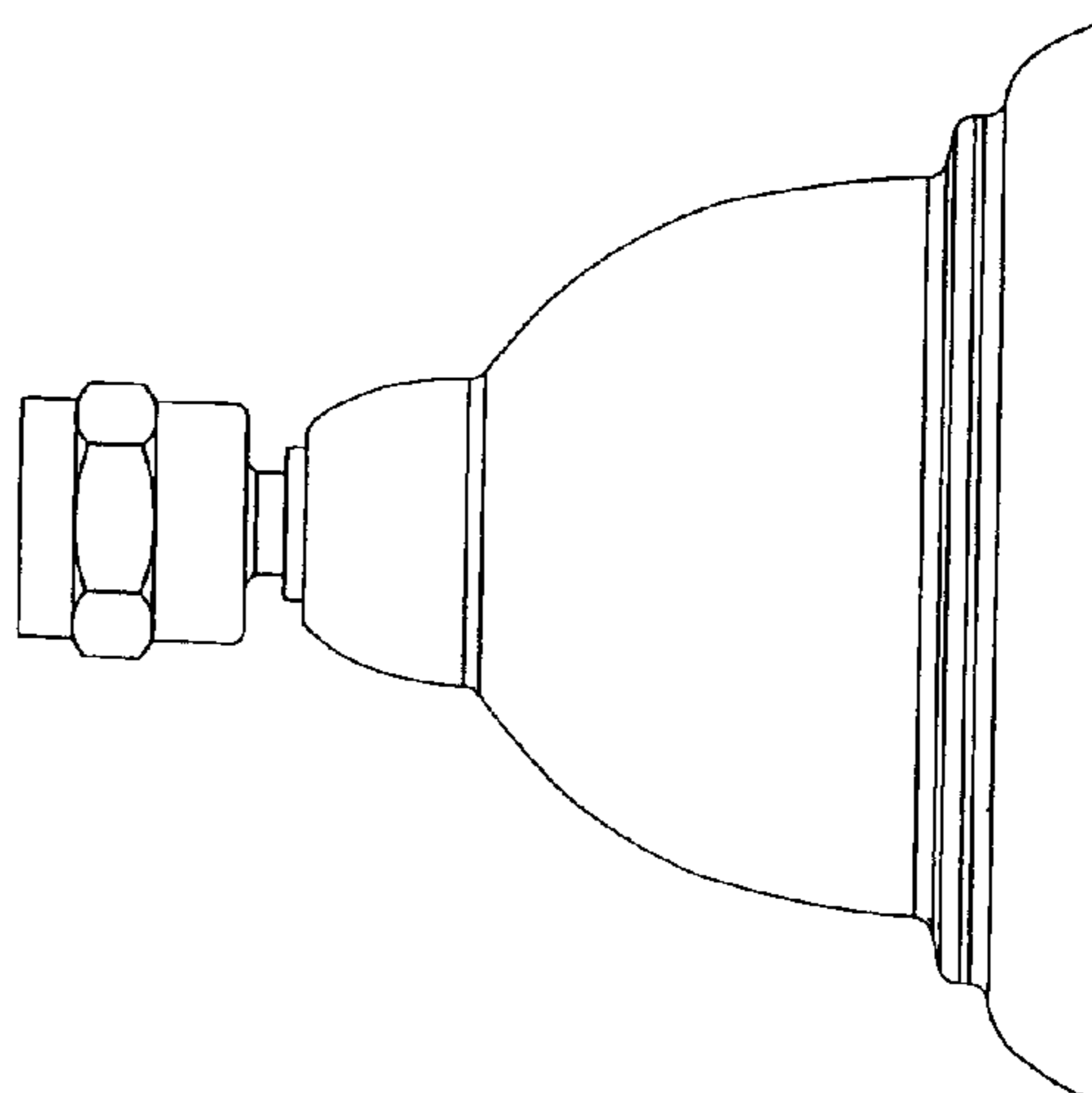
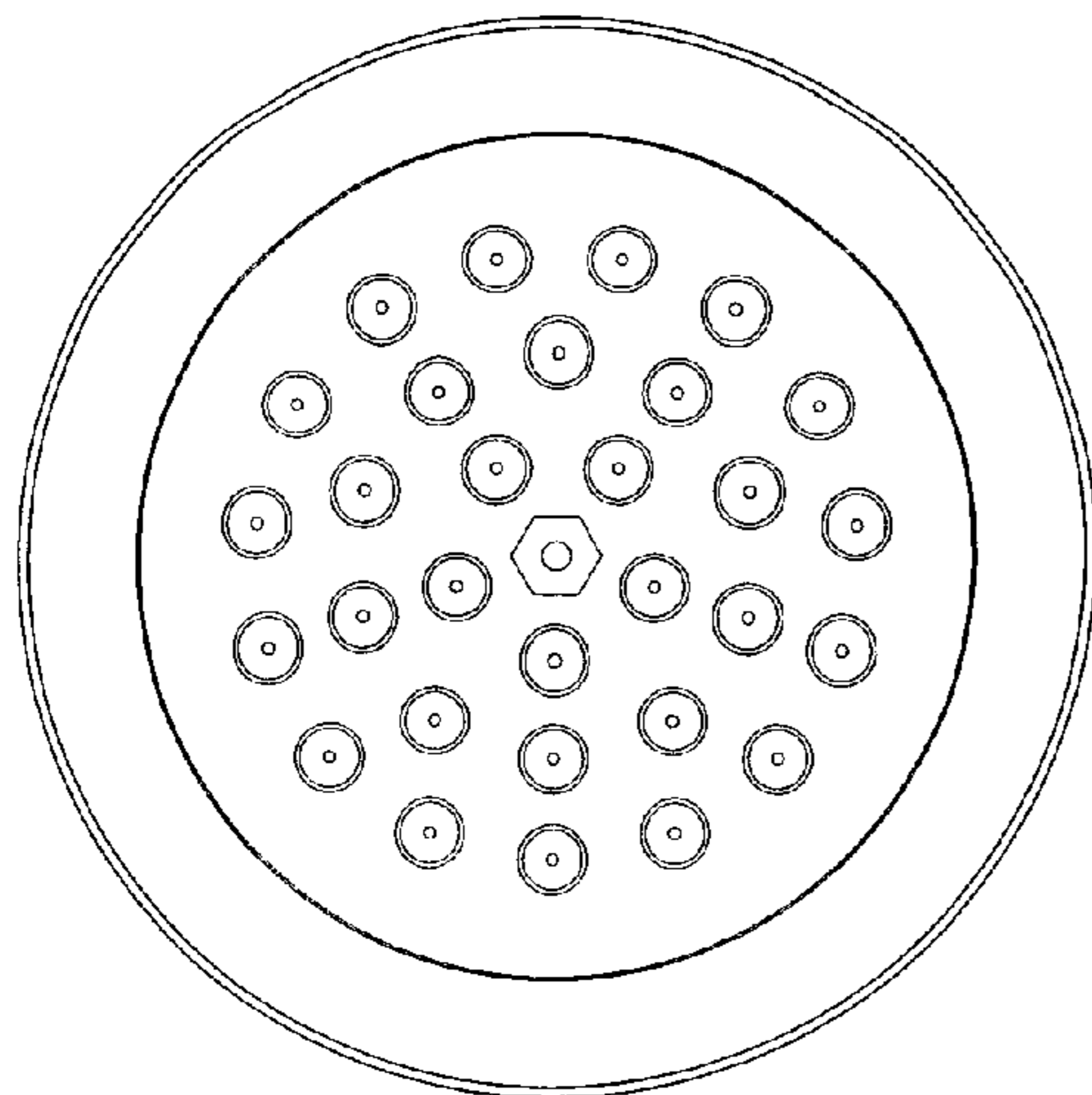
FIG. 1 is a front elevational view of a spray head for showers showing my new design;

FIG. 2 is a rear elevational view thereof;

FIG. 3 is a left side view thereof; the right side view being a mirror image of the left side view; and,

FIG. 4 is a top plan view thereof; the bottom plan view being a mirror image of the top plan view.

**1 Claim, 2 Drawing Sheets**



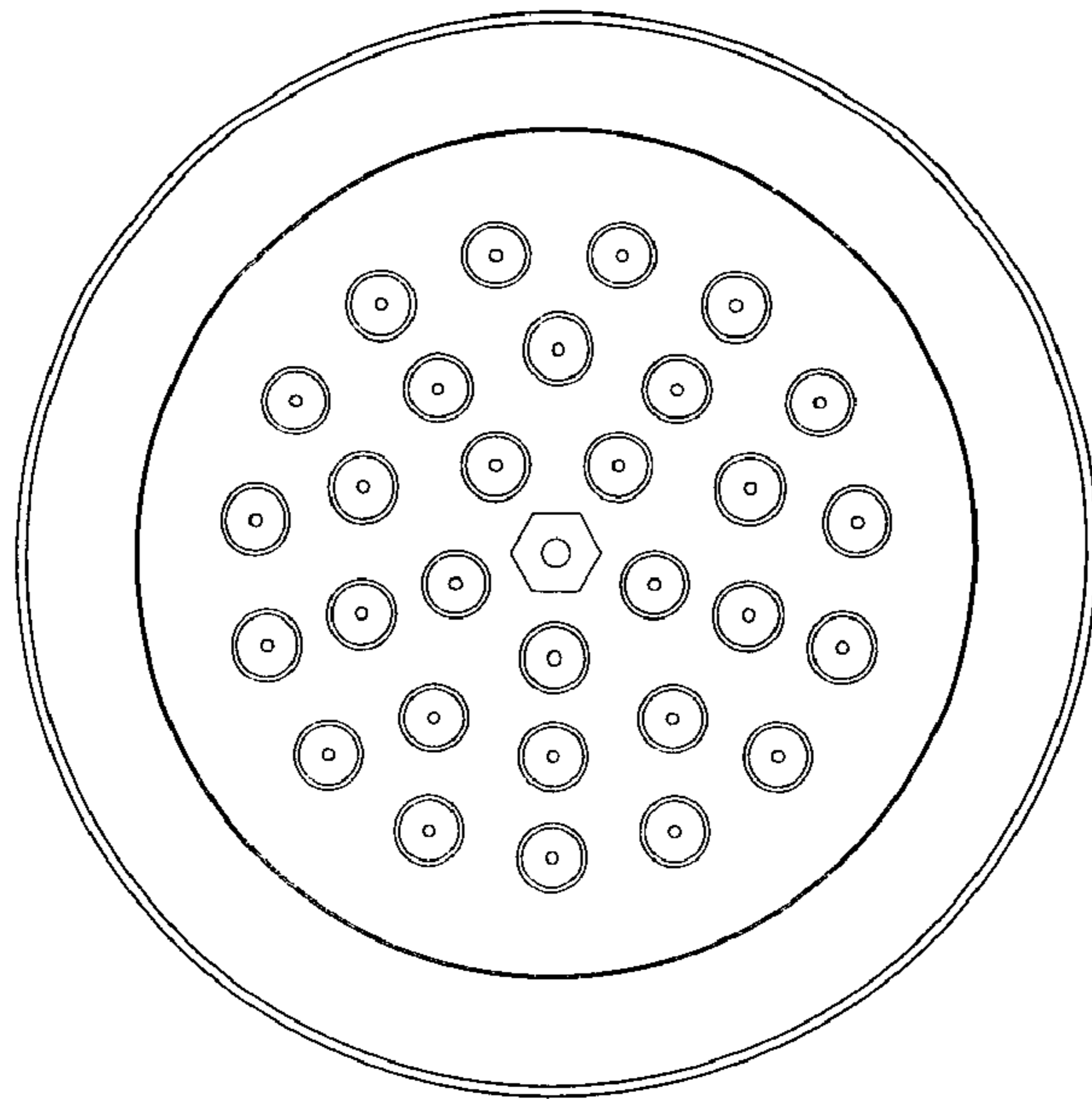


FIG. 1

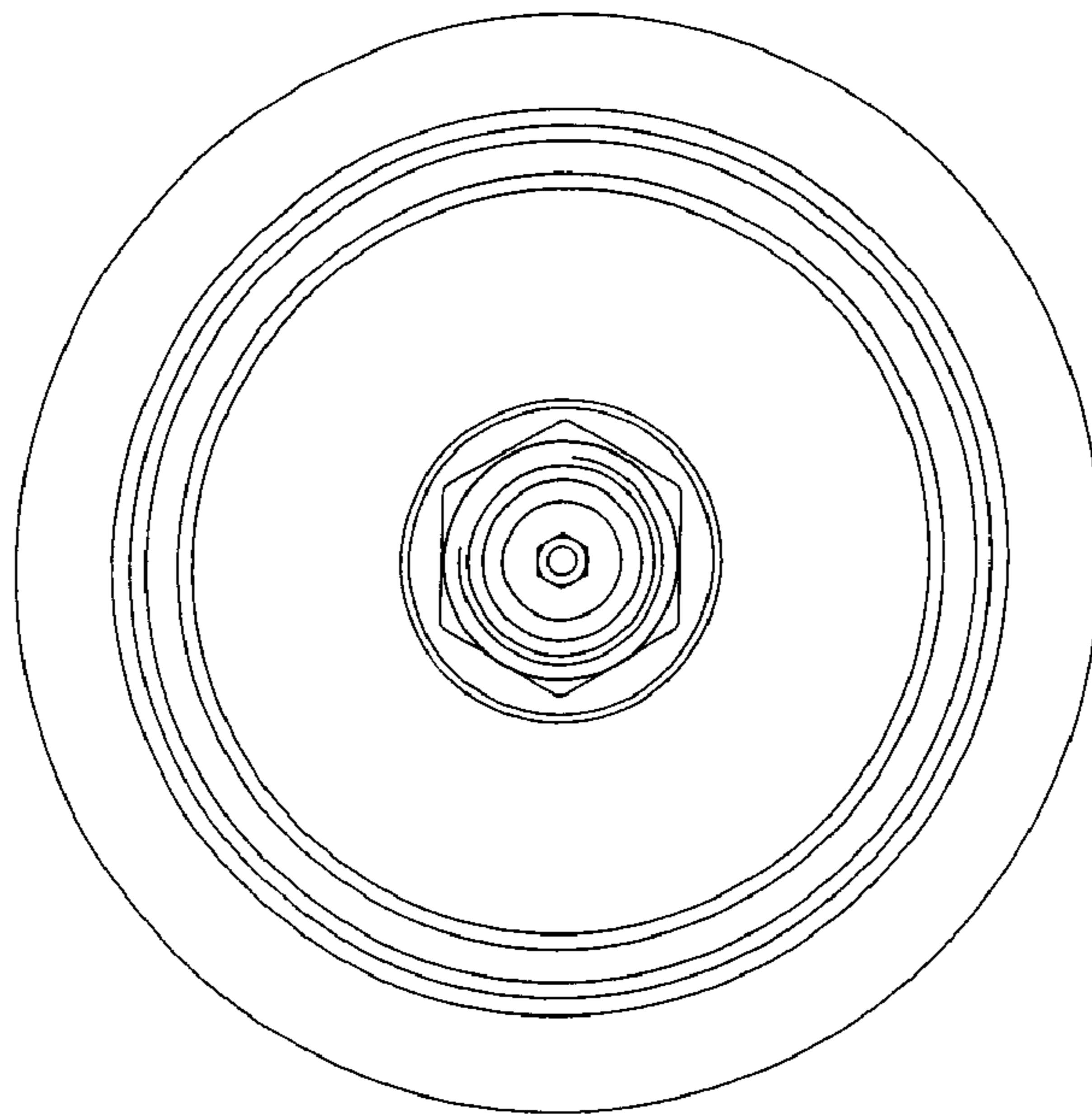


FIG. 2

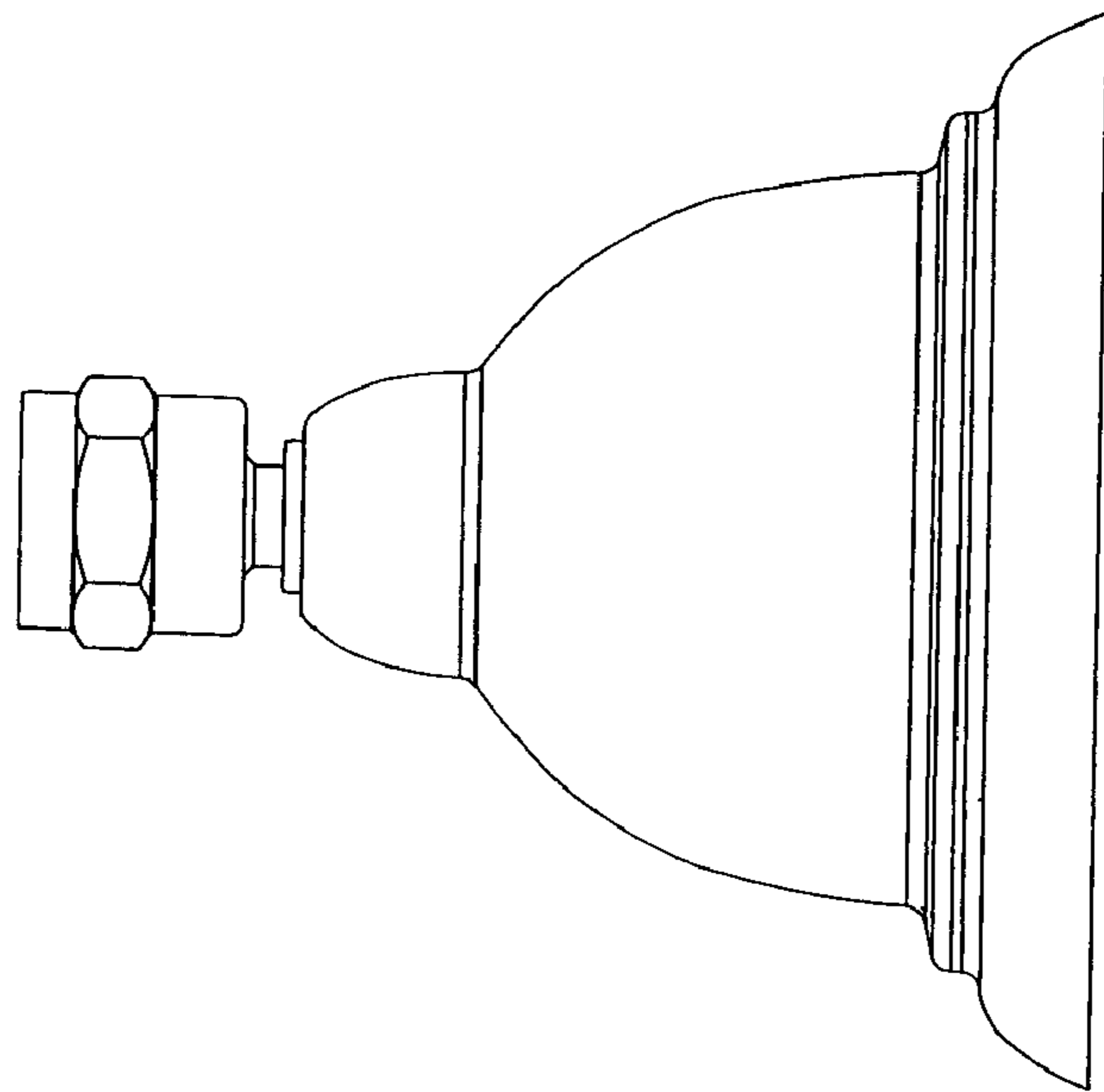


FIG. 3

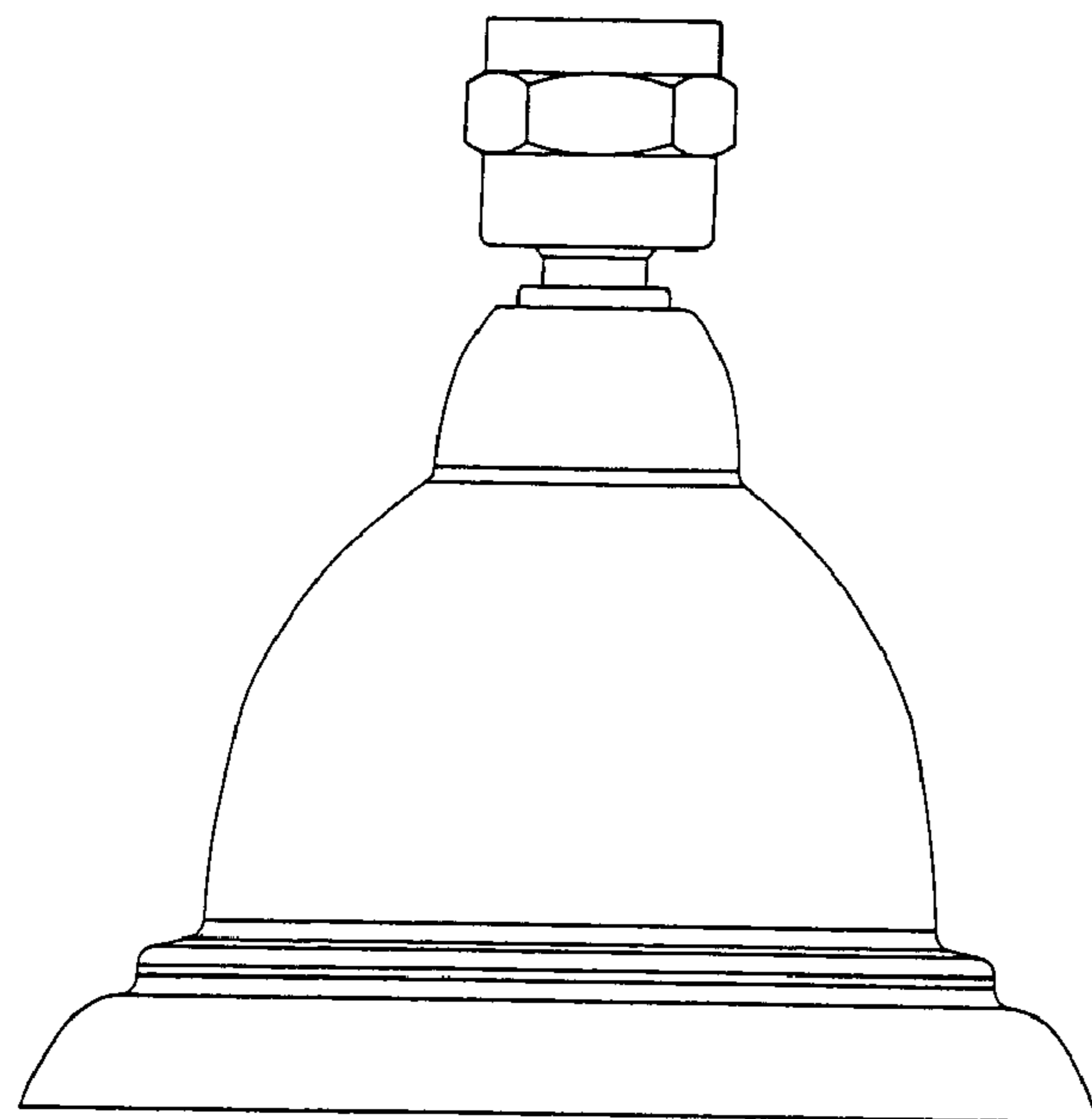


FIG. 4