



US00D531260S

(12) **United States Design Patent**
Luo et al.

(10) **Patent No.:** **US D531,260 S**
(45) **Date of Patent:** **** Oct. 31, 2006**

(54) **SHOWERHEAD**

D496,987 S * 10/2004 Glunk D23/213
D517,164 S * 3/2006 Lee D23/213

(75) Inventors: **Wj Luo**, Shen Zhen (CN); **Ming Huang**, Shen Zhen (CN)

* cited by examiner

(73) Assignee: **Globe Union Industrial Corp.**, Taichung (TW)

Primary Examiner—Robin Webster
(74) *Attorney, Agent, or Firm*—Leong C. Lei

(**) Term: **14 Years**

(57) **CLAIM**

The ornamental design for a showerhead, as shown and described.

(21) Appl. No.: **29/228,650**

(22) Filed: **Apr. 27, 2005**

DESCRIPTION

(51) **LOC (8) Cl.** **23-01**

FIG. 1 is a top perspective view of a showerhead showing our new design;

(52) **U.S. Cl.** **D23/213**

FIG. 2 is a bottom perspective view thereof;

(58) **Field of Classification Search** D23/213,
D23/223, 229–30; 239/282–3, 462

FIG. 3 is a front elevational view thereof, the rear being a mirror image thereto;

See application file for complete search history.

FIG. 4 is a left side elevational view thereof, the right side being a mirror image thereto;

(56) **References Cited**

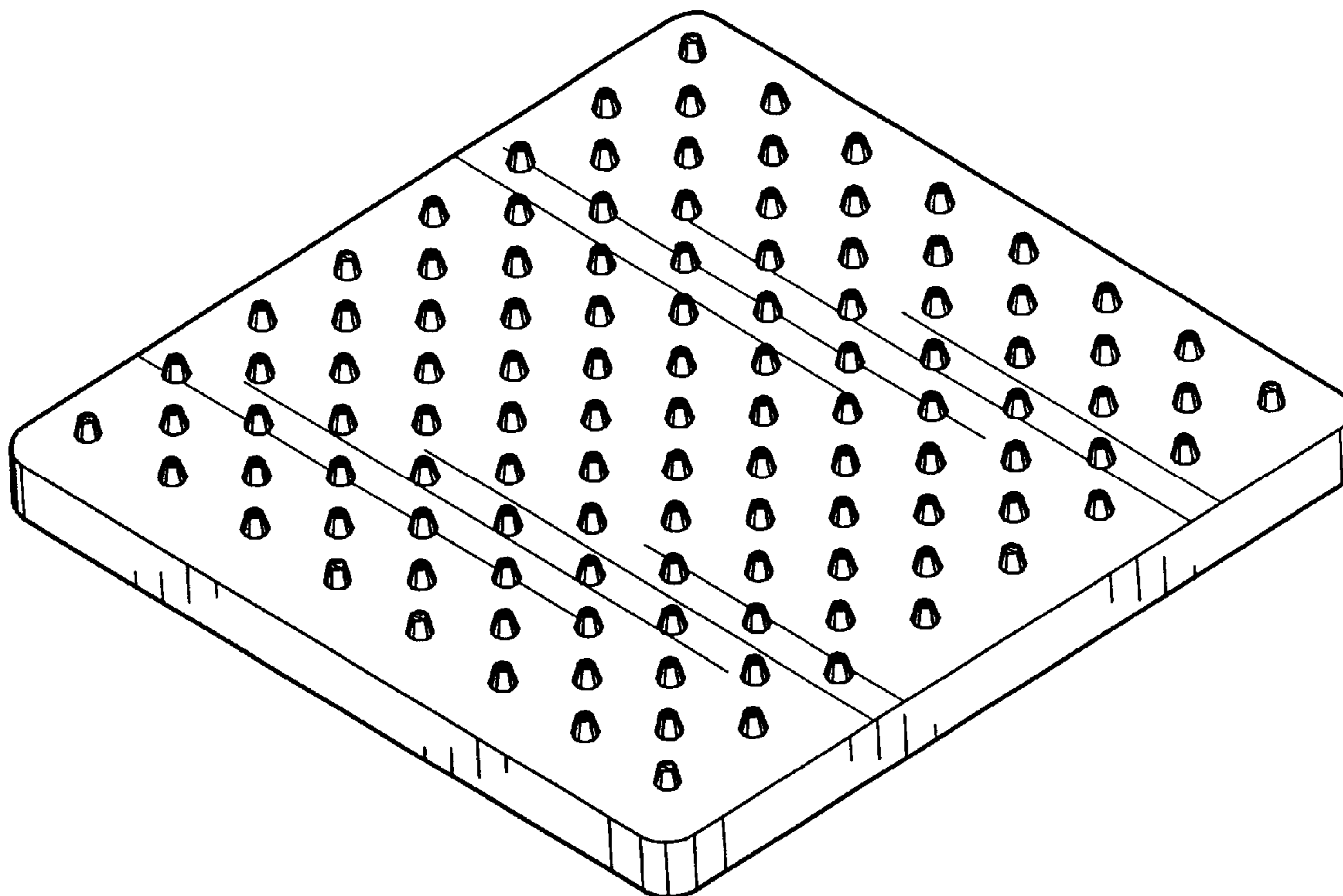
U.S. PATENT DOCUMENTS

FIG. 5 is a top plan view thereof; and,

FIG. 6 is a bottom plan view thereof.

D465,824 S * 11/2002 Barry D23/213

1 Claim, 5 Drawing Sheets



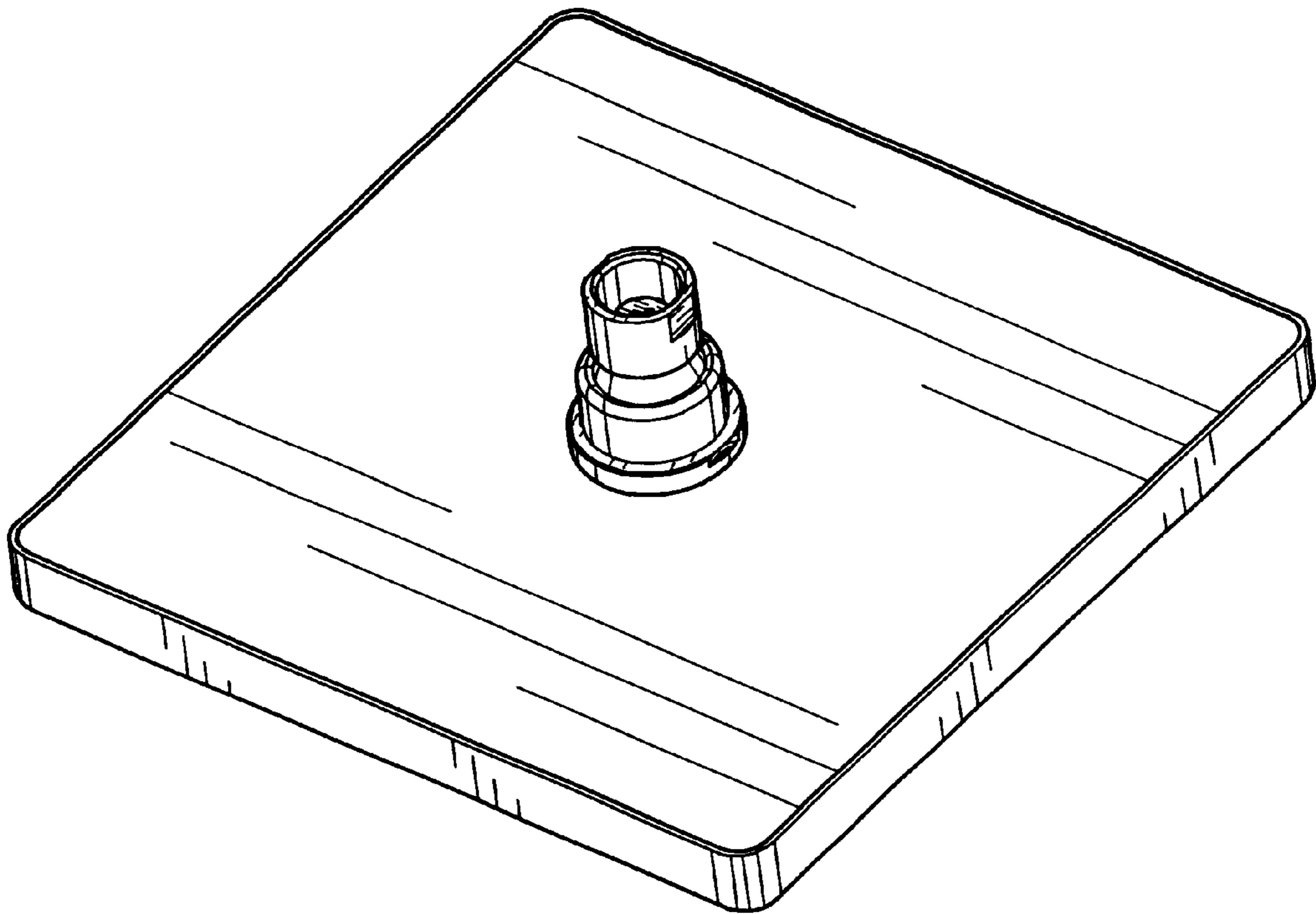


FIG. 1

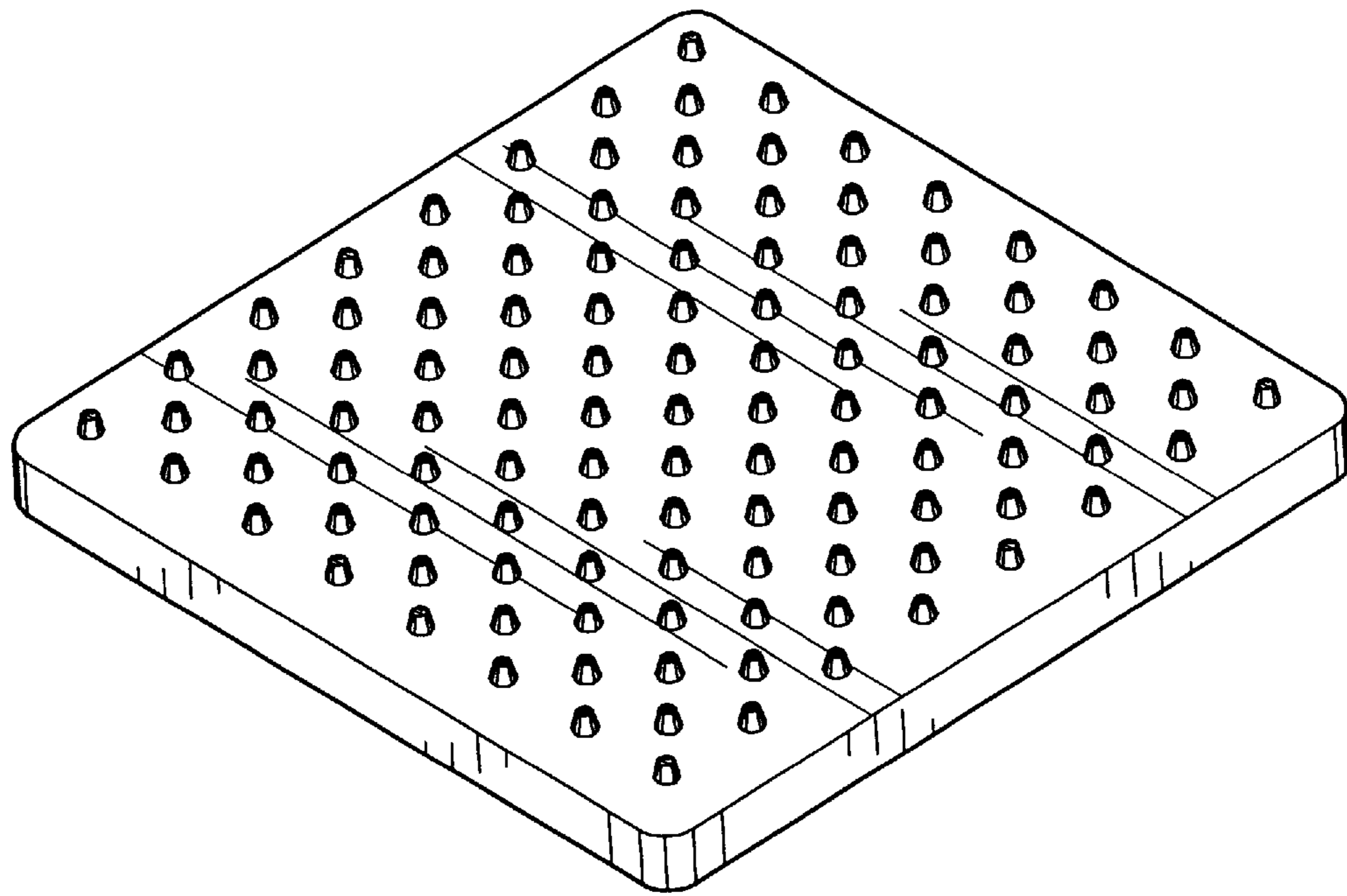


FIG. 2

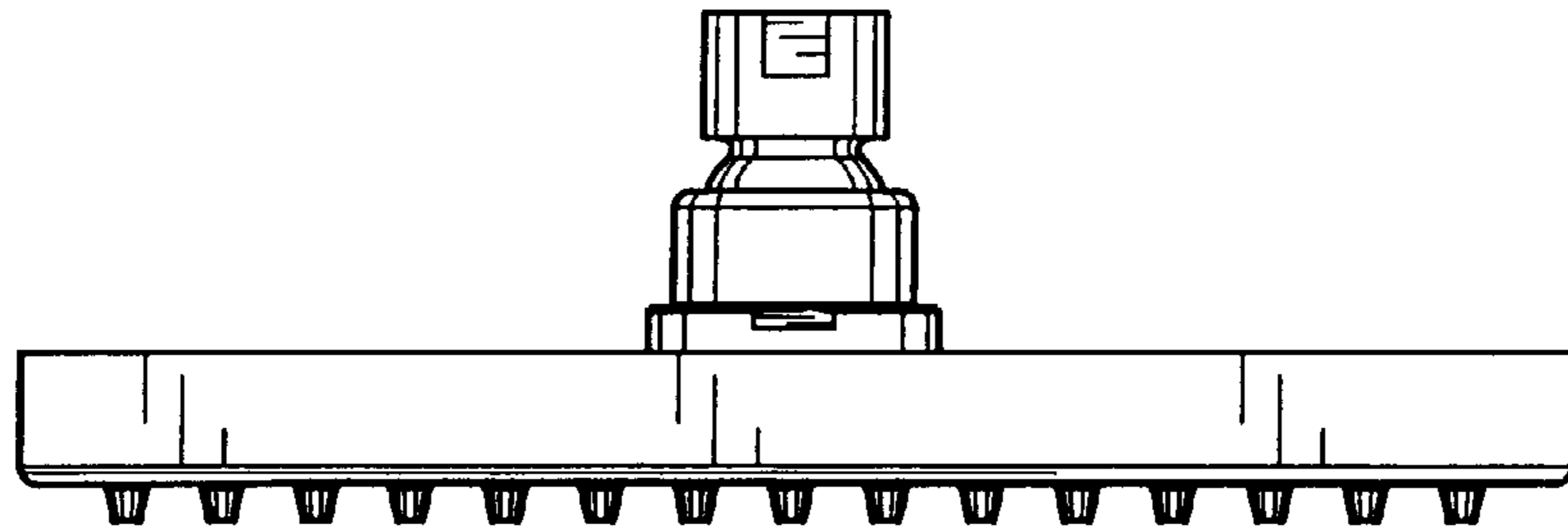


FIG. 3

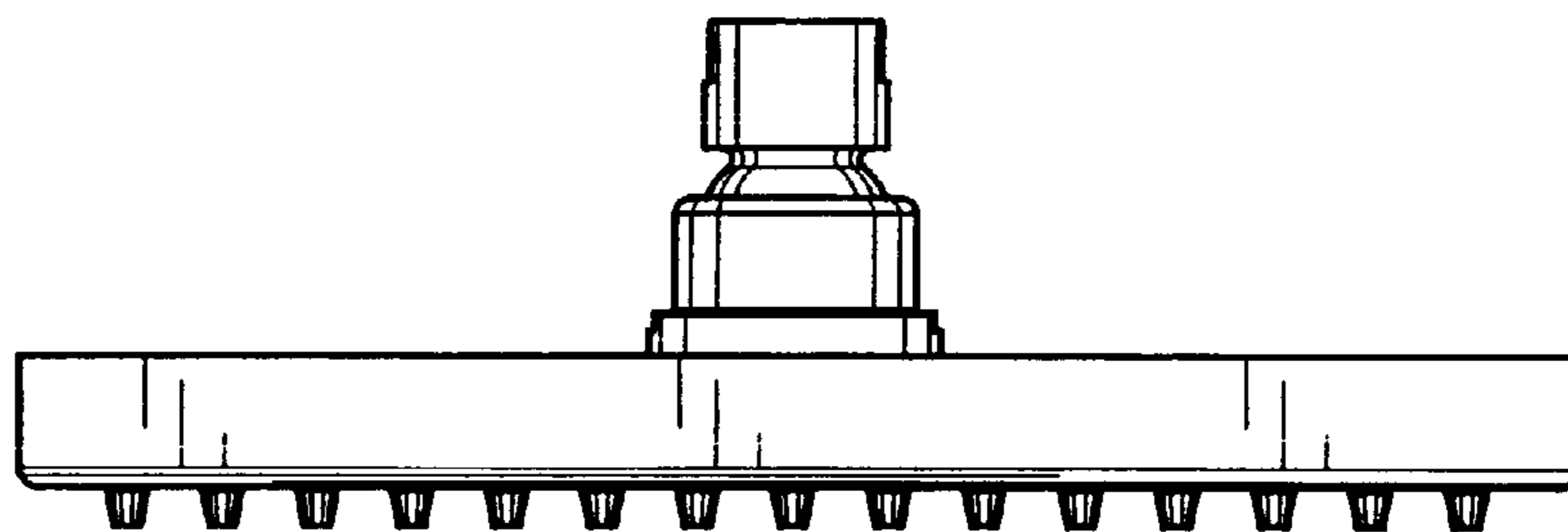


FIG. 4

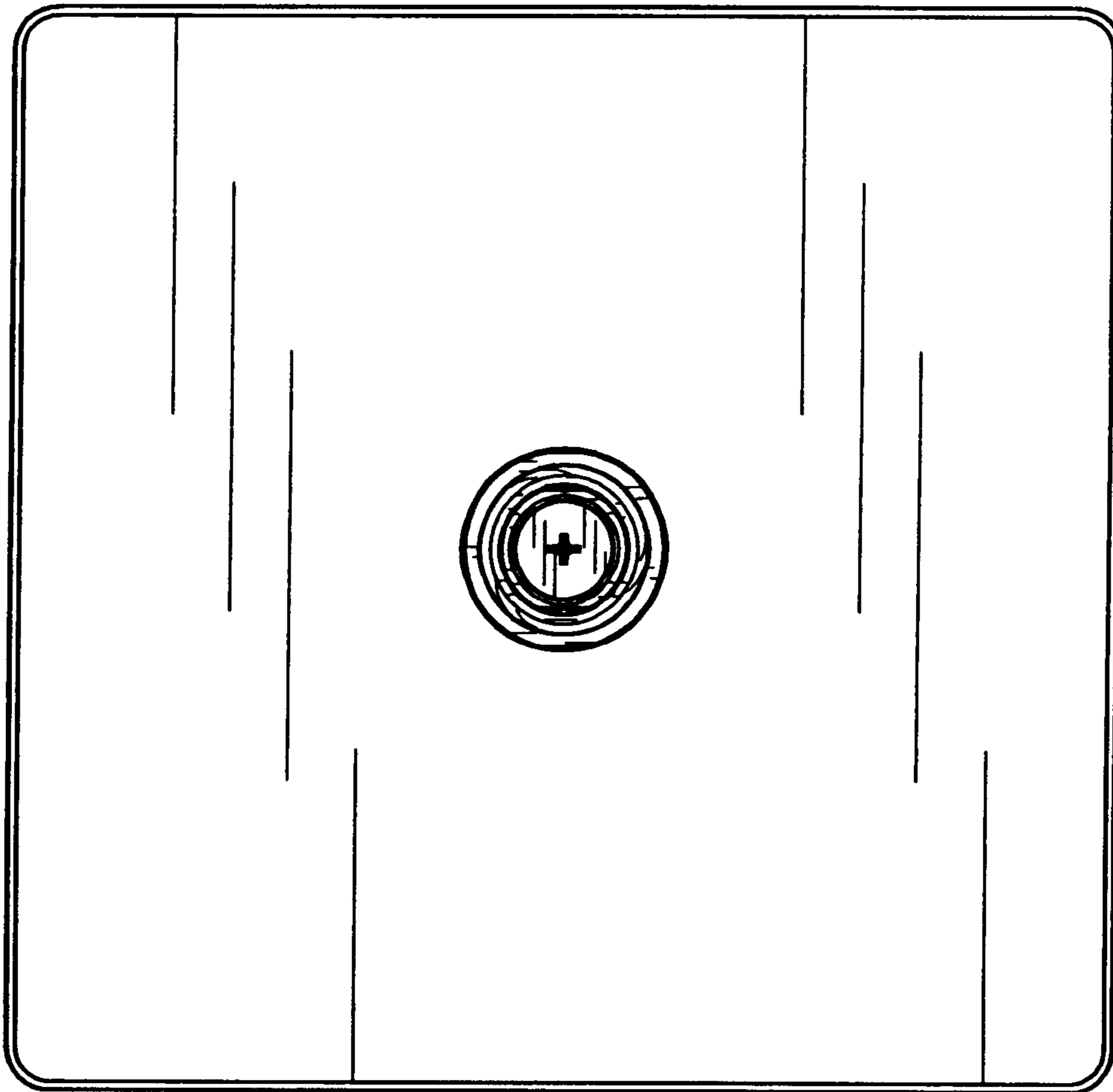


FIG. 5

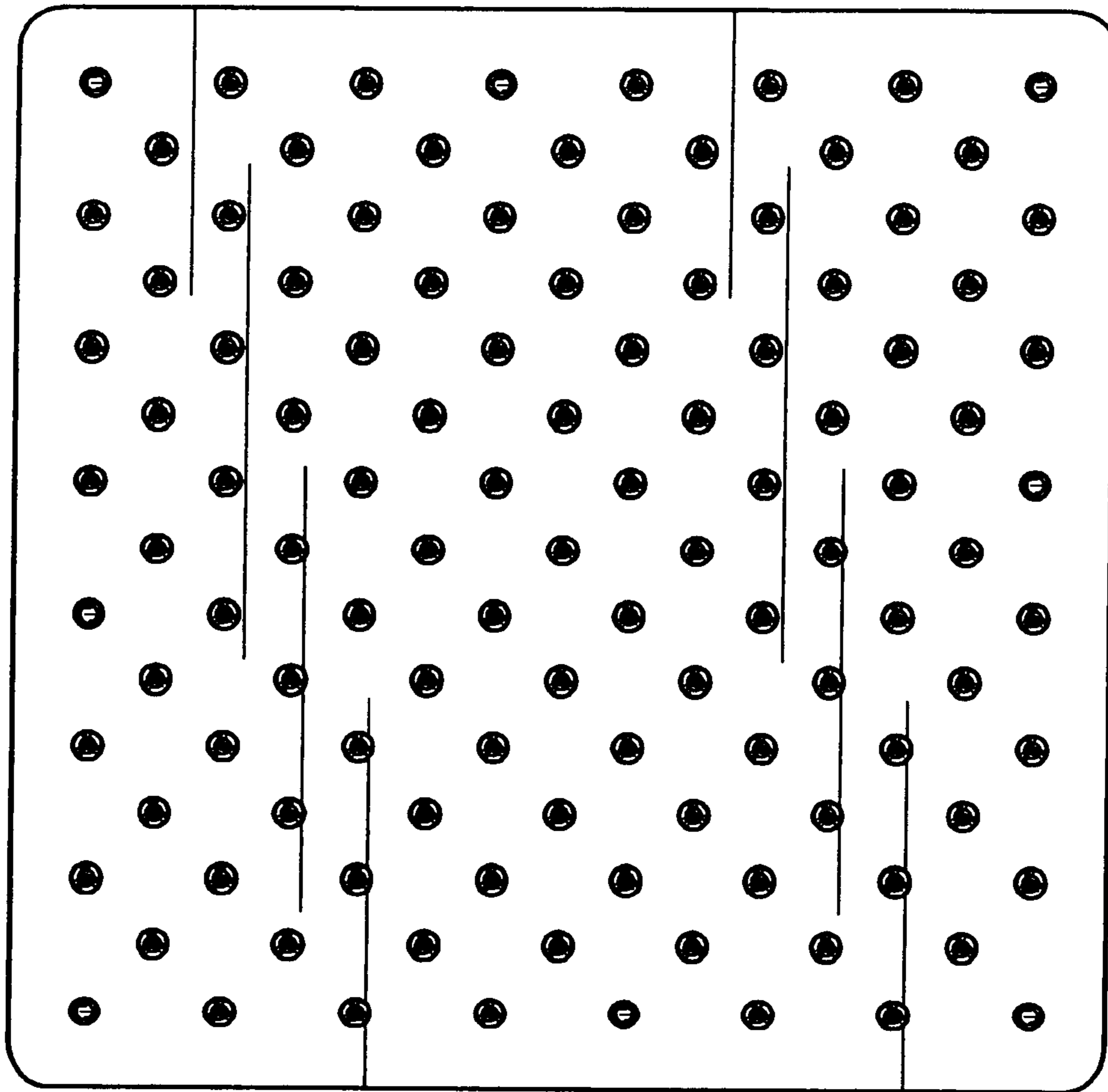


FIG. 6