

US00D531259S

(12) **United States Design Patent**
Hsieh

(10) **Patent No.:** **US D531,259 S**

(45) **Date of Patent:** **** Oct. 31, 2006**

(54) **SHOWER ASSEMBLY**

D450,370 S * 11/2001 Wales et al. D23/213

(76) Inventor: **Chin-Hsiang Hsieh**, No. 377, Sec. 3,
Chang Tsao Rd., Ho Mei Chen,
Changhwa Hsien (TW)

* cited by examiner

Primary Examiner—Robin Webster

(74) *Attorney, Agent, or Firm*—Jackson Walker, LLP

(**) Term: **14 Years**

(57) **CLAIM**

(21) Appl. No.: **29/228,584**

The ornamental design for a shower assembly, as shown and described.

(22) Filed: **Apr. 26, 2005**

DESCRIPTION

(51) **LOC (8) Cl.** **23-01**

FIG. 1 is a view of a shower assembly, showing my new design;

(52) **U.S. Cl.** **D23/213**

FIG. 2 is a front view thereof;

(58) **Field of Classification Search** D23/213,
D23/223, 226, 229–30; 239/587.1, 282–3,
239/394, 462, 587.4

FIG. 3 is a rear view thereof;

FIG. 4 is a left side view thereof;

FIG. 5 is a right side view thereof;

FIG. 6 is a top plan view thereof;

FIG. 7 is a bottom plan view thereof; and,

FIG. 8 is a perspective view showing an embodiment of the claimed design, wherein the broken lines are shown for illustrative purposes only and form no part of the claimed design.

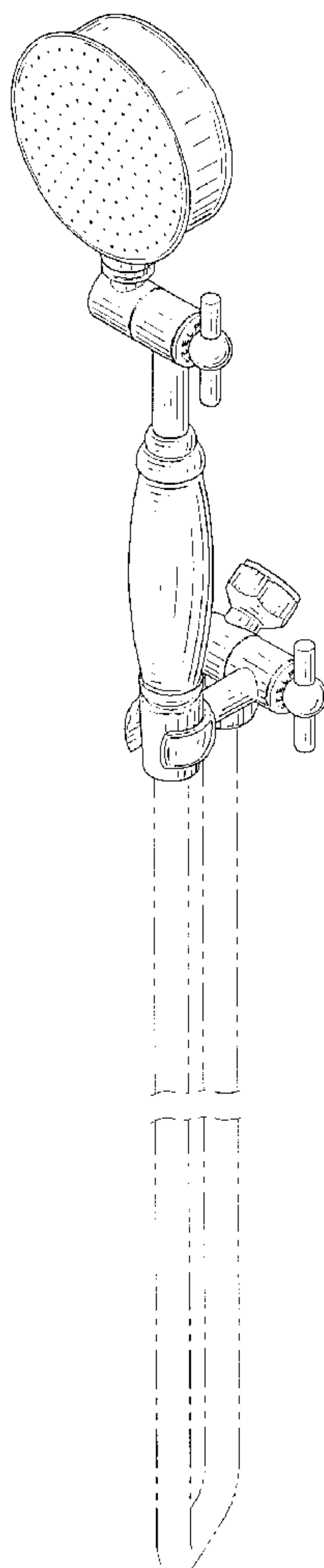
See application file for complete search history.

(56) **References Cited**

U.S. PATENT DOCUMENTS

D398,370 S * 9/1998 Purdy D23/213

1 Claim, 5 Drawing Sheets



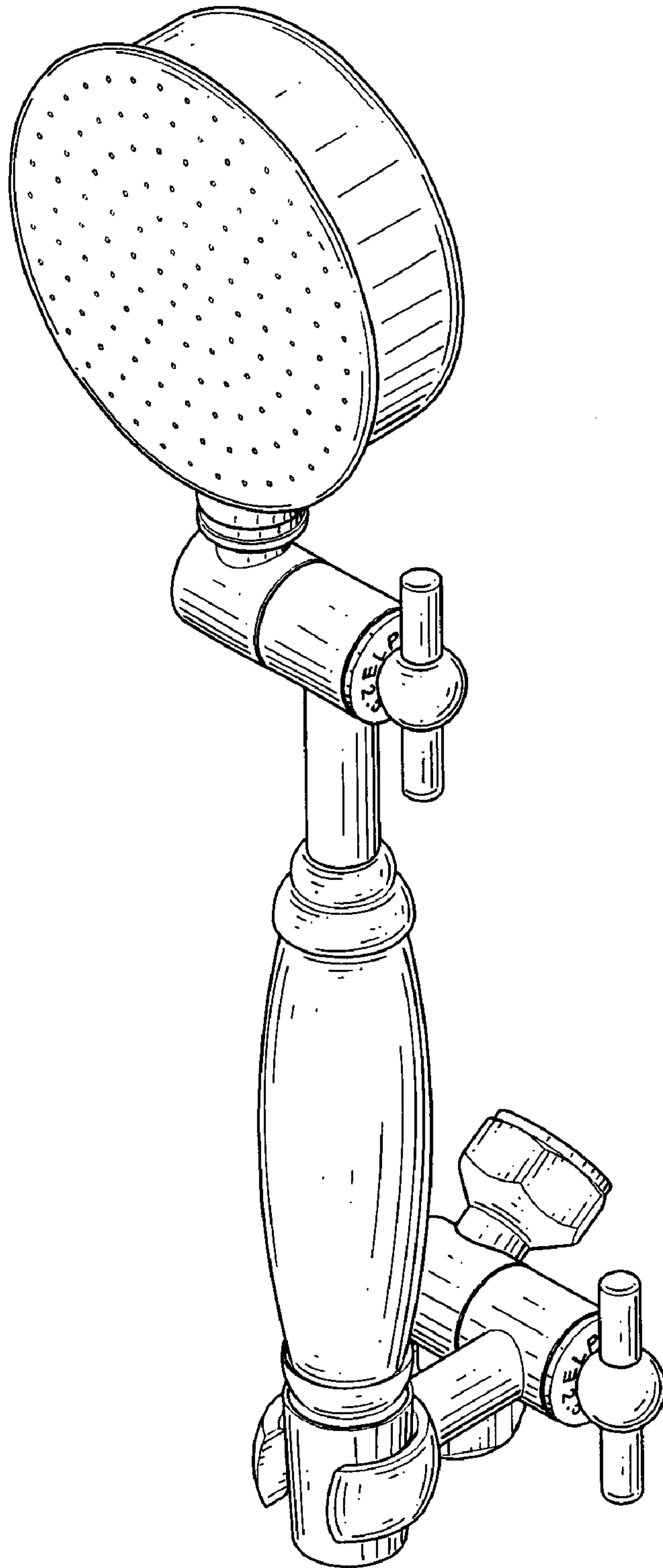


FIG. 1

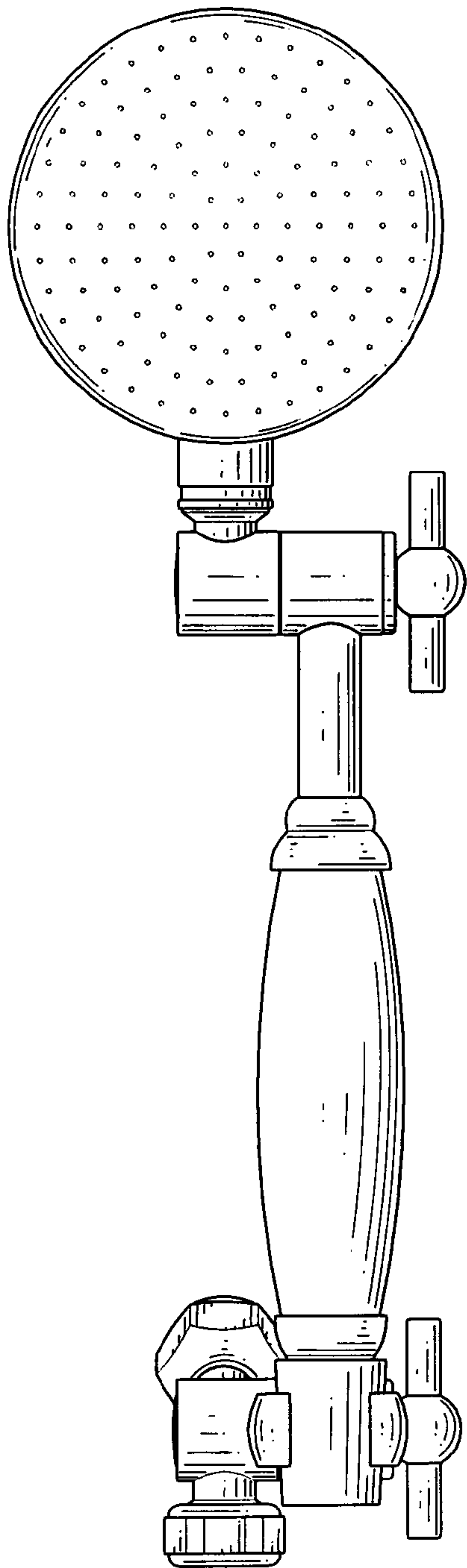


FIG. 2

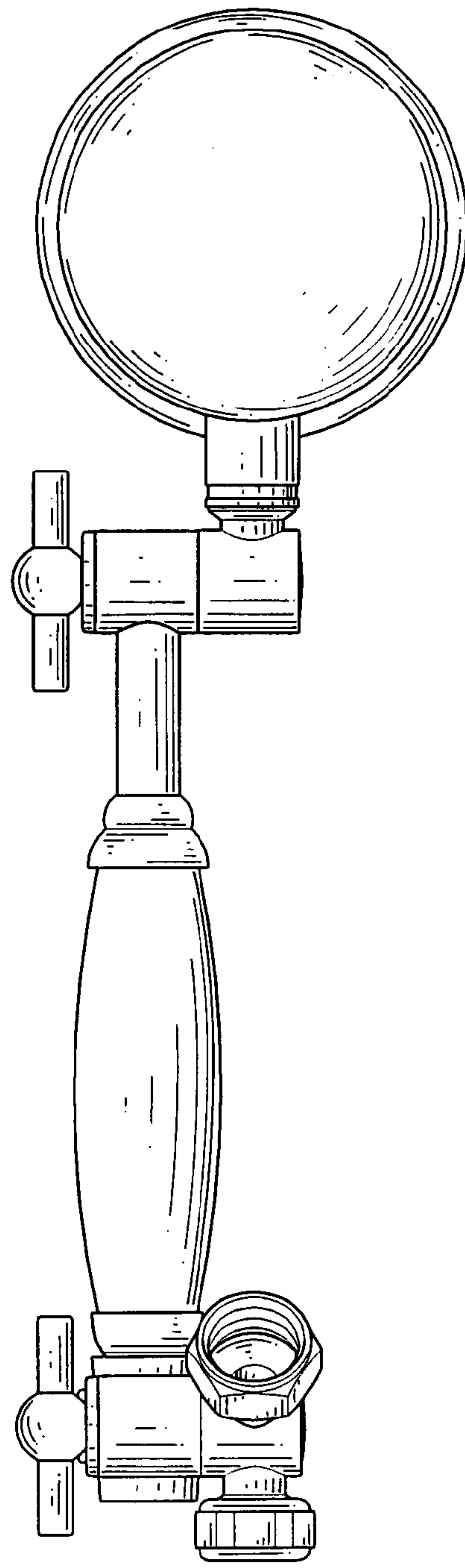


FIG. 3

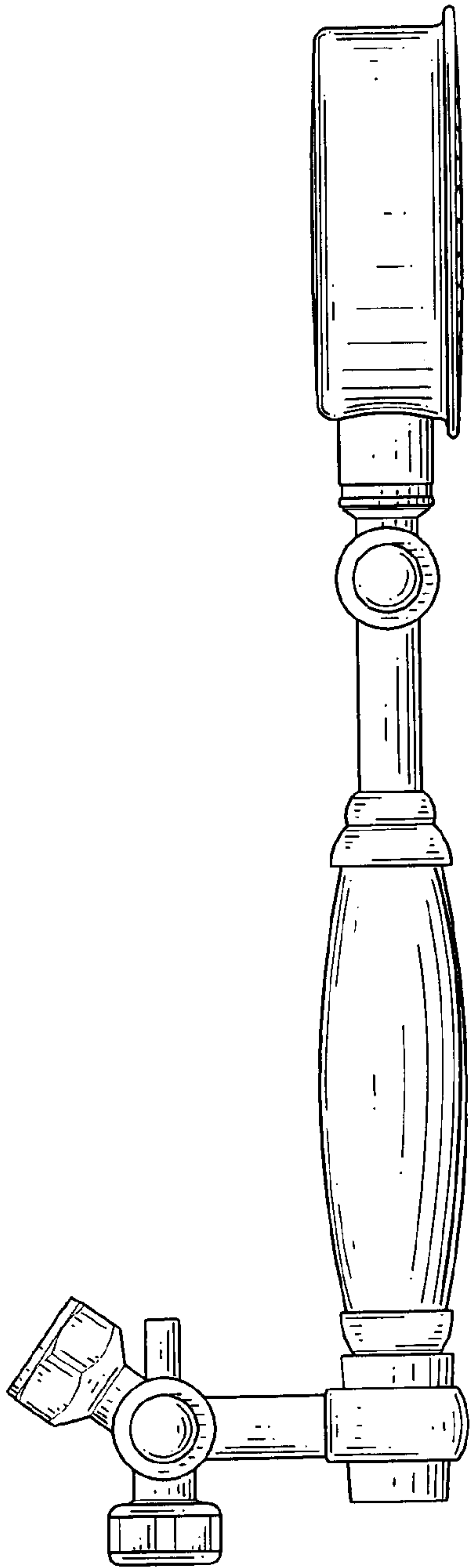


FIG.4

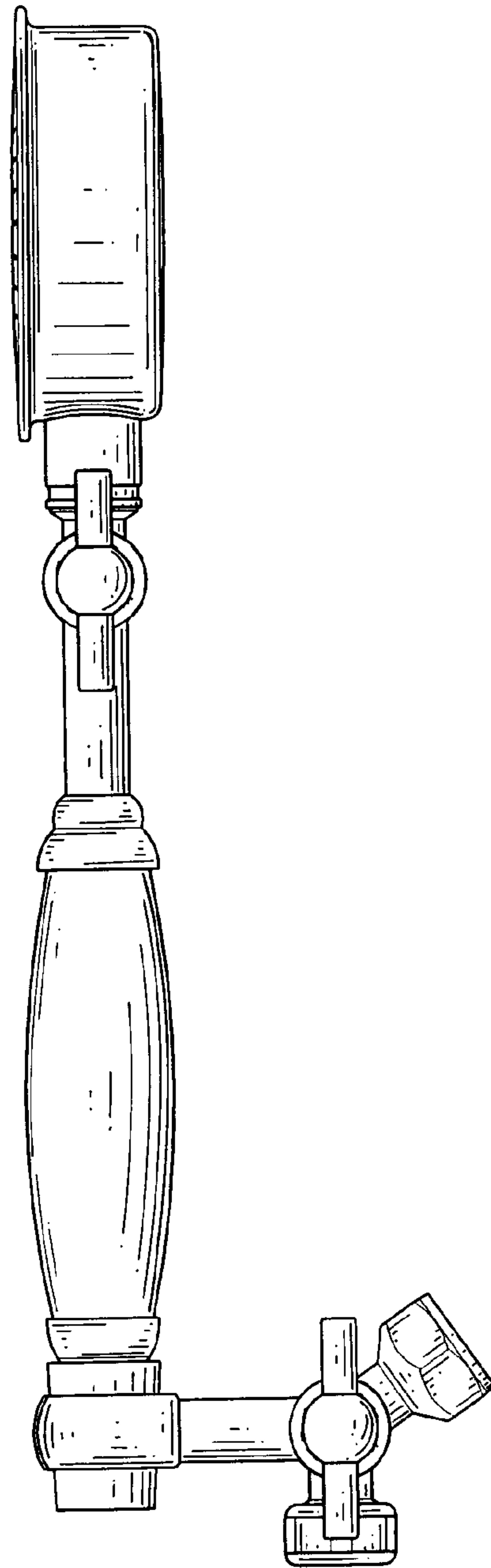


FIG.5

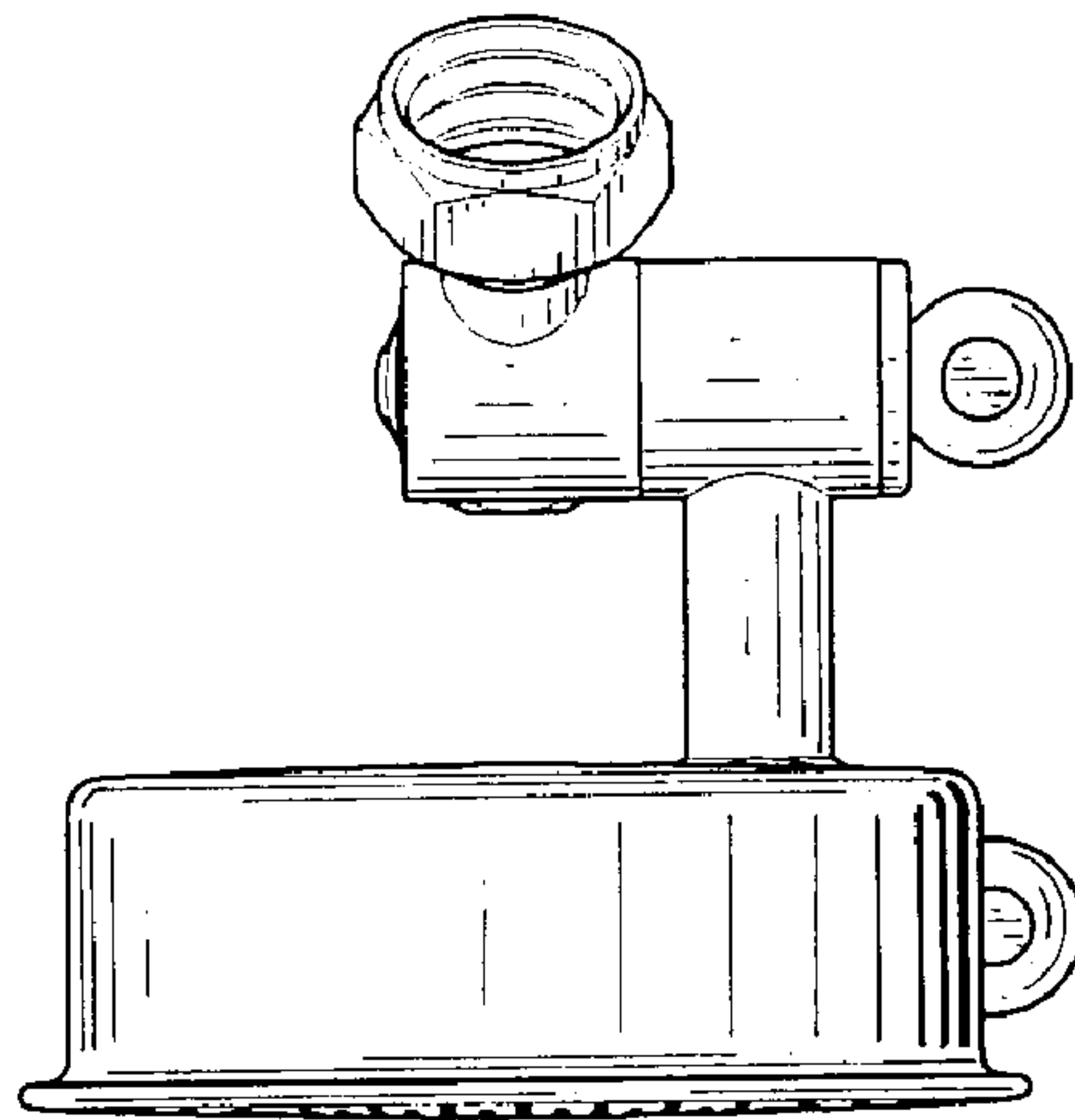


FIG. 6

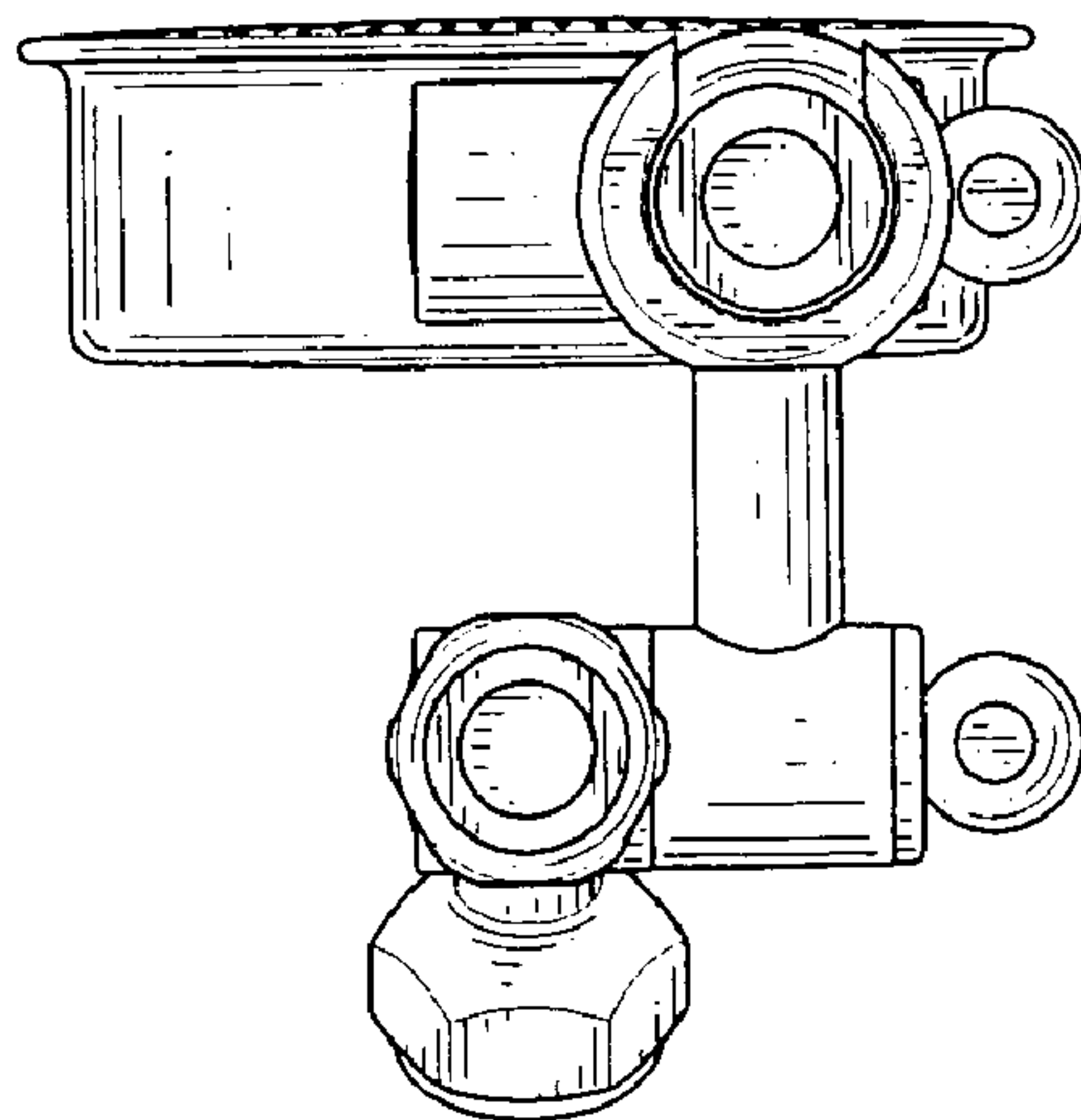


FIG. 7

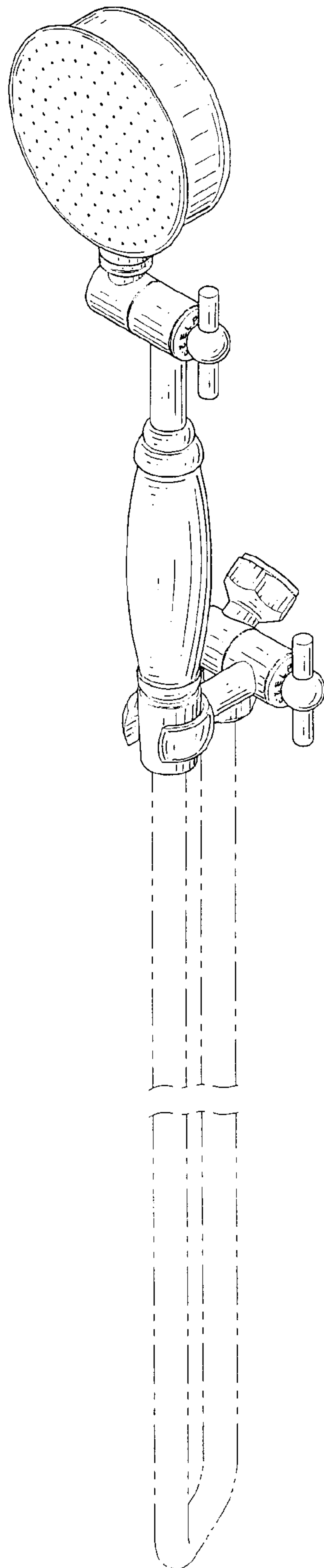


FIG.8