



US00D531258S

(12) **United States Design Patent**
Young

(10) **Patent No.:** **US D531,258 S**

(45) **Date of Patent:** **** Oct. 31, 2006**

(54) **FISHING REEL FRAME**

(76) Inventor: **John N. Young**, 35 Berry Trail, Fairfax,
CA (US) 94930

(**) Term: **14 Years**

(21) Appl. No.: **29/236,759**

(22) Filed: **Aug. 23, 2005**

(51) **LOC (8) Cl.** **22-05**

(52) **U.S. Cl.** **D22/141**

(58) **Field of Classification Search** D22/141,
D22/137-140; 242/234-240, 310-312, 314,
242/319, 323

See application file for complete search history.

(56) **References Cited**

U.S. PATENT DOCUMENTS

D404,109 S	*	1/1999	Zwayer et al.	D22/141
D459,430 S	*	6/2002	Burke	D22/140
D460,994 S	*	7/2002	Burke	D22/140
D482,753 S	*	11/2003	Burke	D22/140
D505,991 S	*	6/2005	Iwabuchi et al.	D22/141

* cited by examiner

Primary Examiner—Catherine R. Oliver

(57) **CLAIM**

The ornamental design for a fishing reel frame, as shown and described.

DESCRIPTION

FIG. 1 is a right side elevation view of the fishing reel frame of the invention.

FIG. 2 is a left side elevation view of the fishing reel frame of FIG. 1.

FIG. 3 is a right rear angled top view of the fishing reel frame of FIG. 1.

FIG. 4 is a right front angled top view of the fishing reel frame of FIG. 1.

FIG. 5 is a left rear angled top view of the fishing reel frame of FIG. 1.

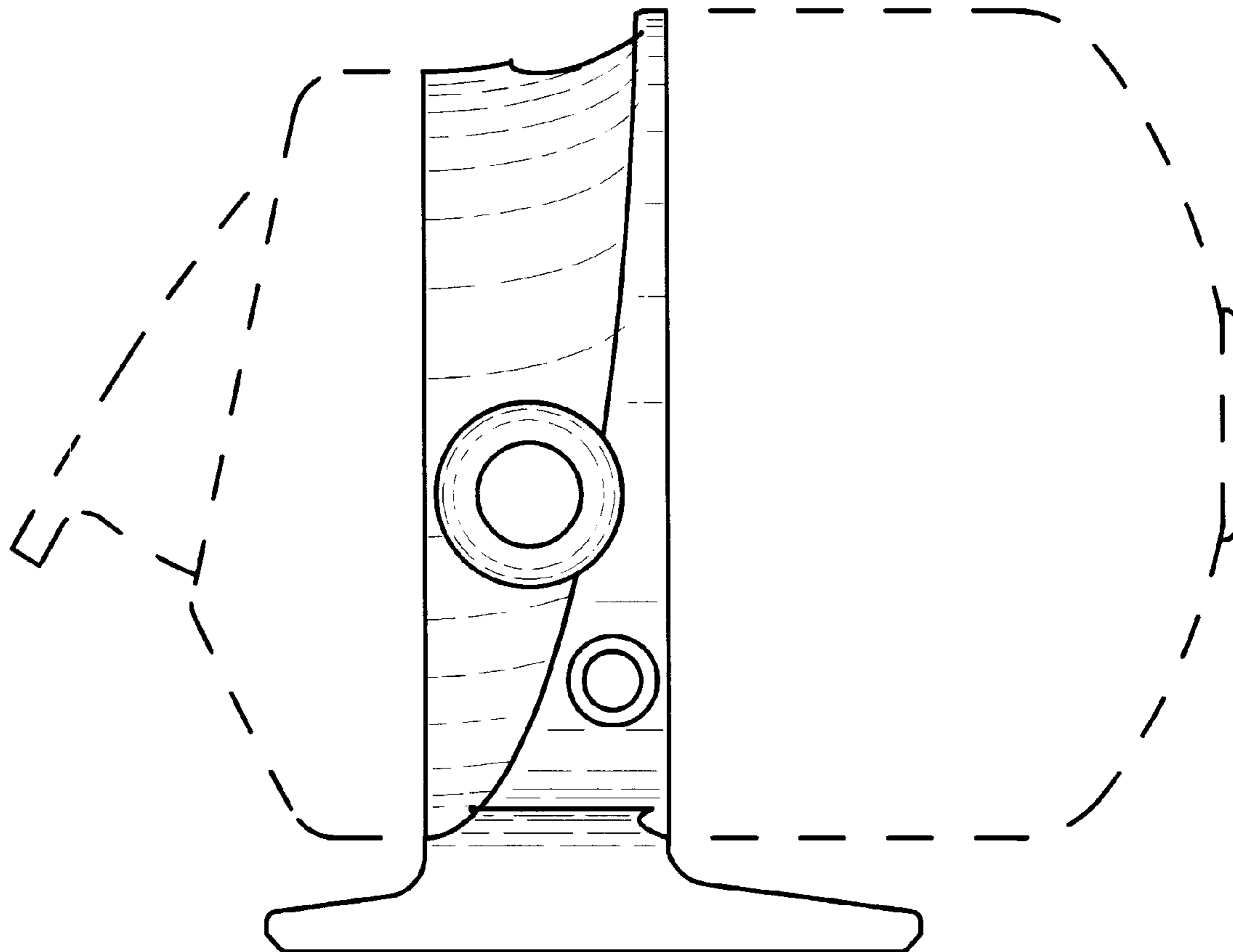
FIG. 6 is a front elevation view of the fishing reel frame of FIG. 1.

FIG. 7 is a rear elevation view of the fishing reel frame of FIG. 1; and,

FIG. 8 is a top view of the fishing reel frame of FIG. 1.

The broken line showing of environment in the drawings is for illustrative purposes only and forms no part of the claimed design.

1 Claim, 8 Drawing Sheets



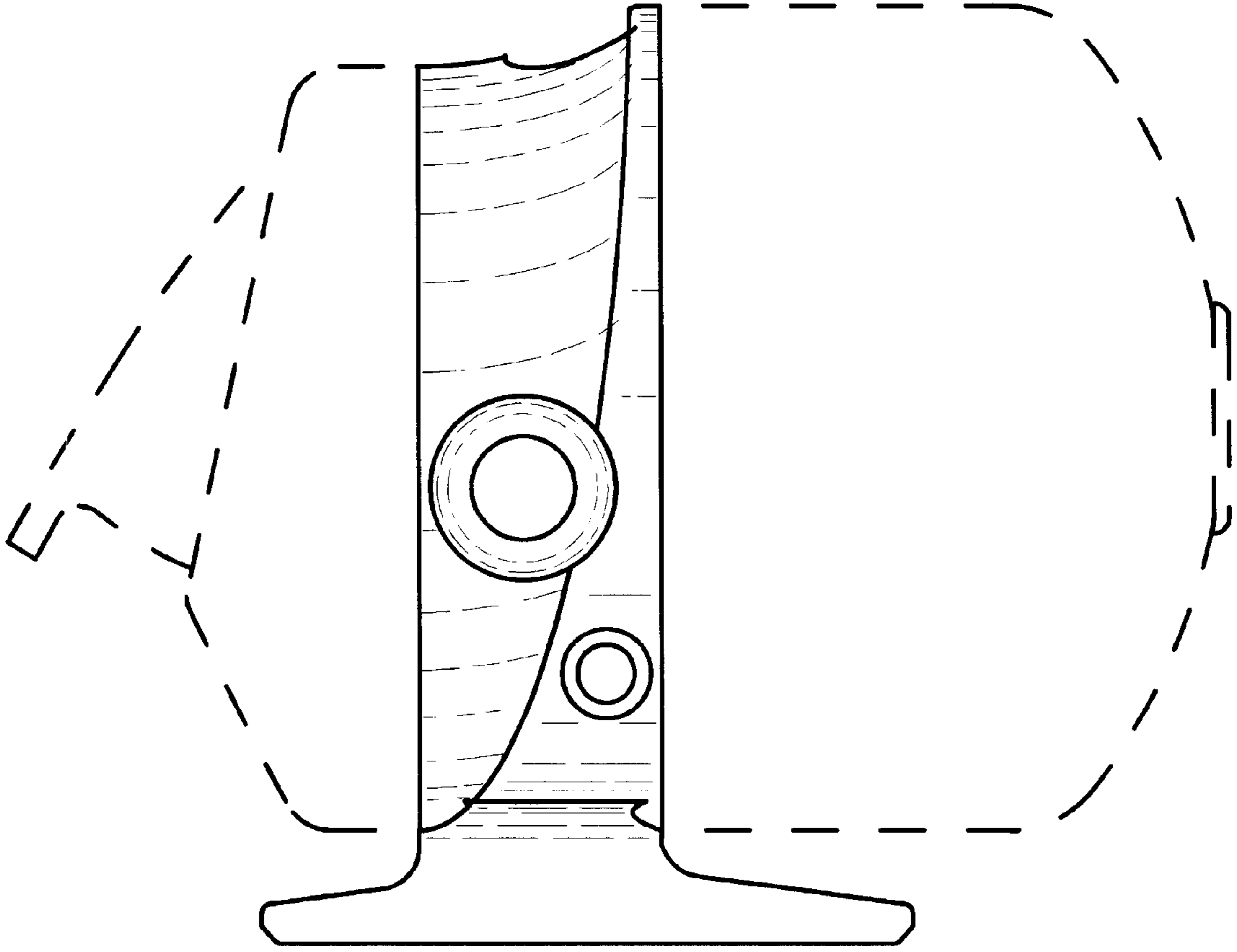


FIG 1

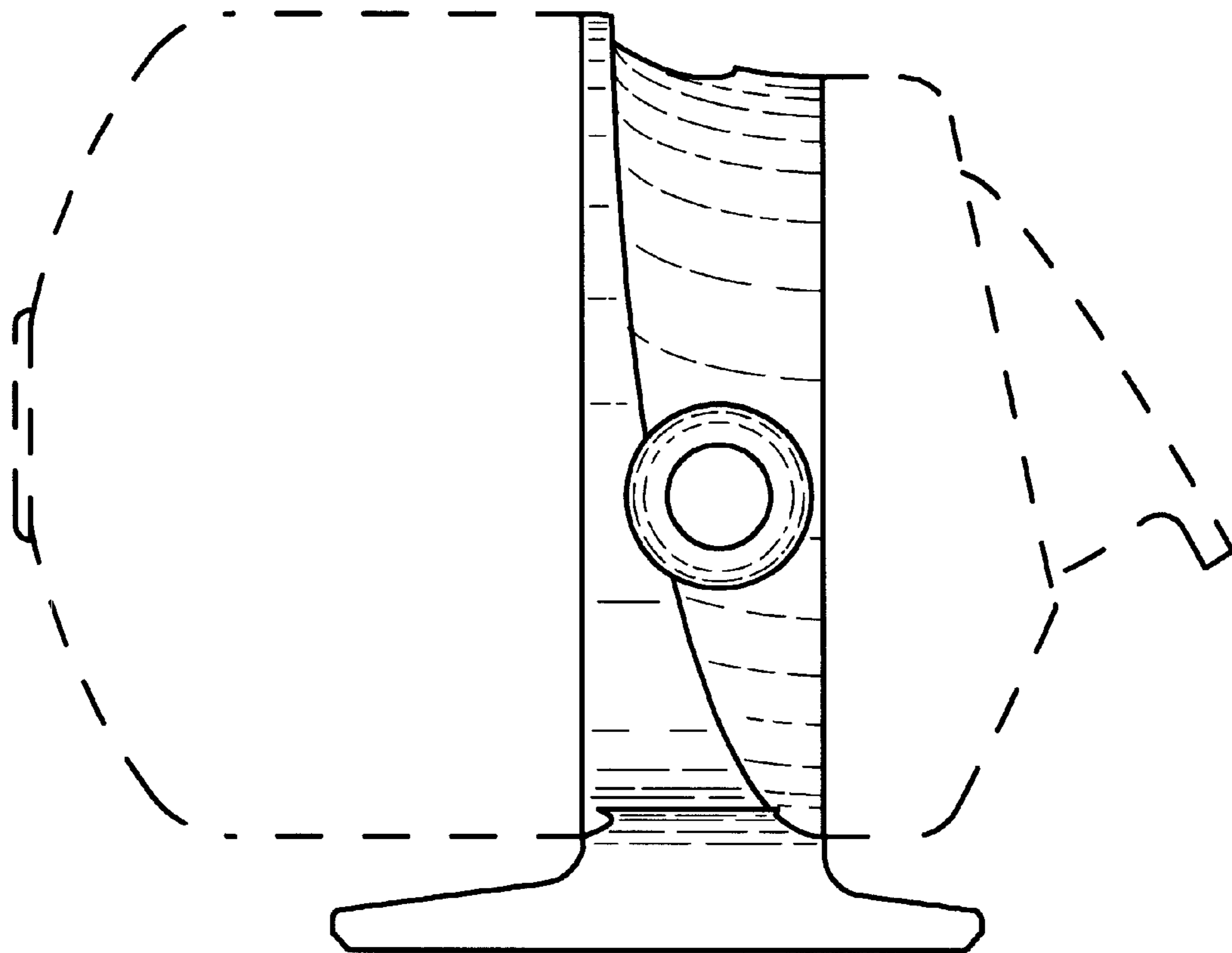


FIG 2

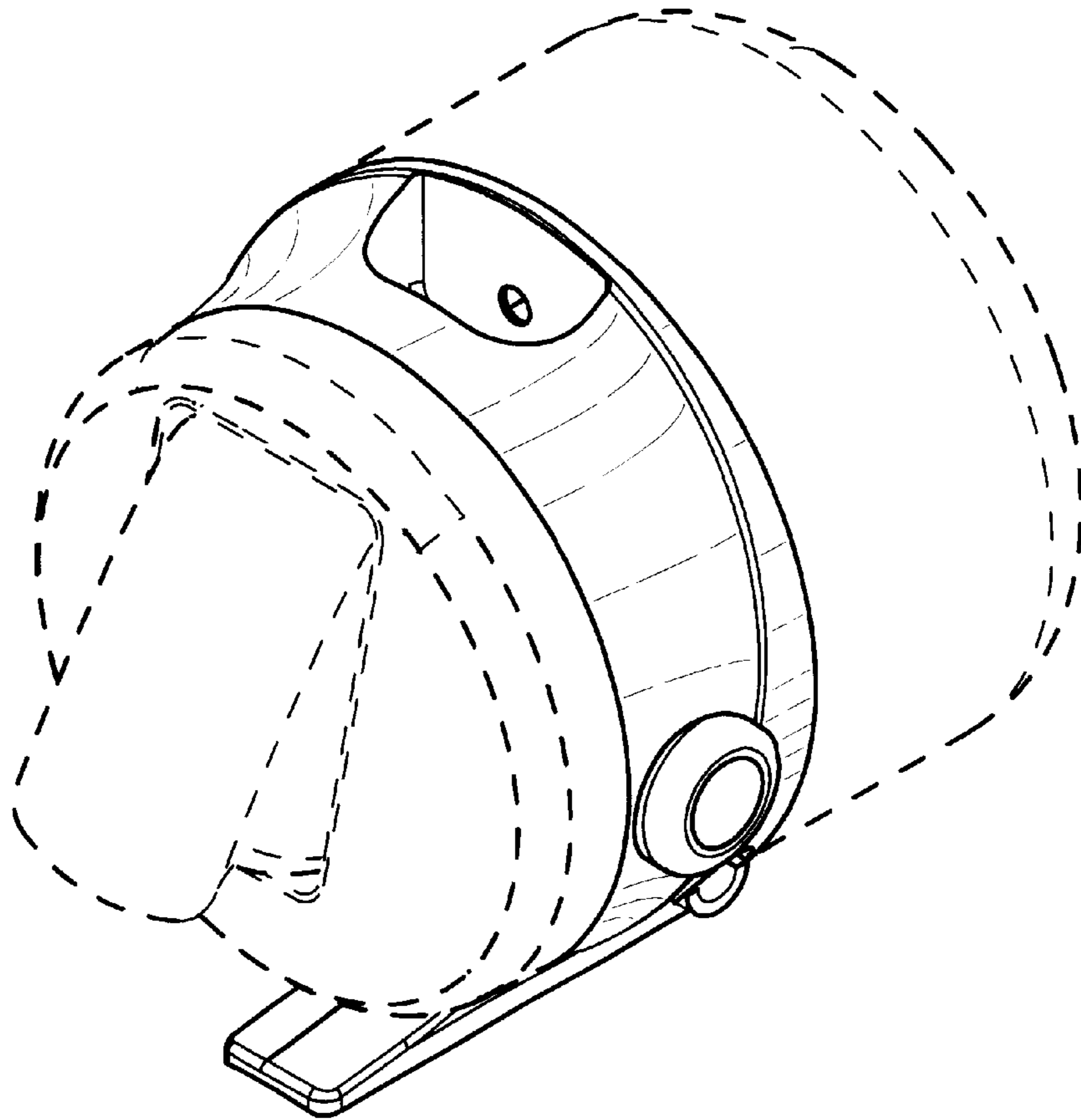


FIG 3

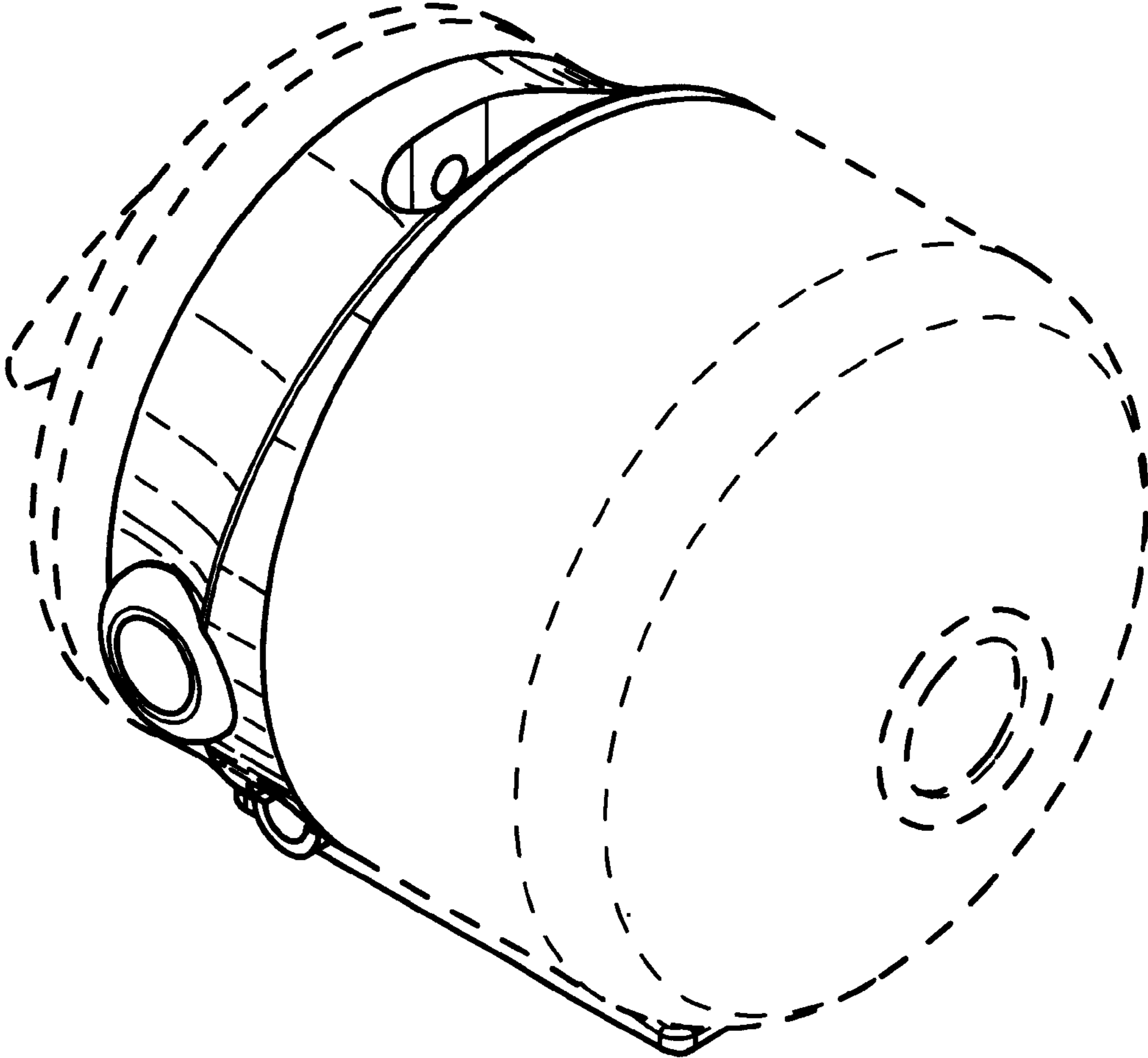


FIG 4

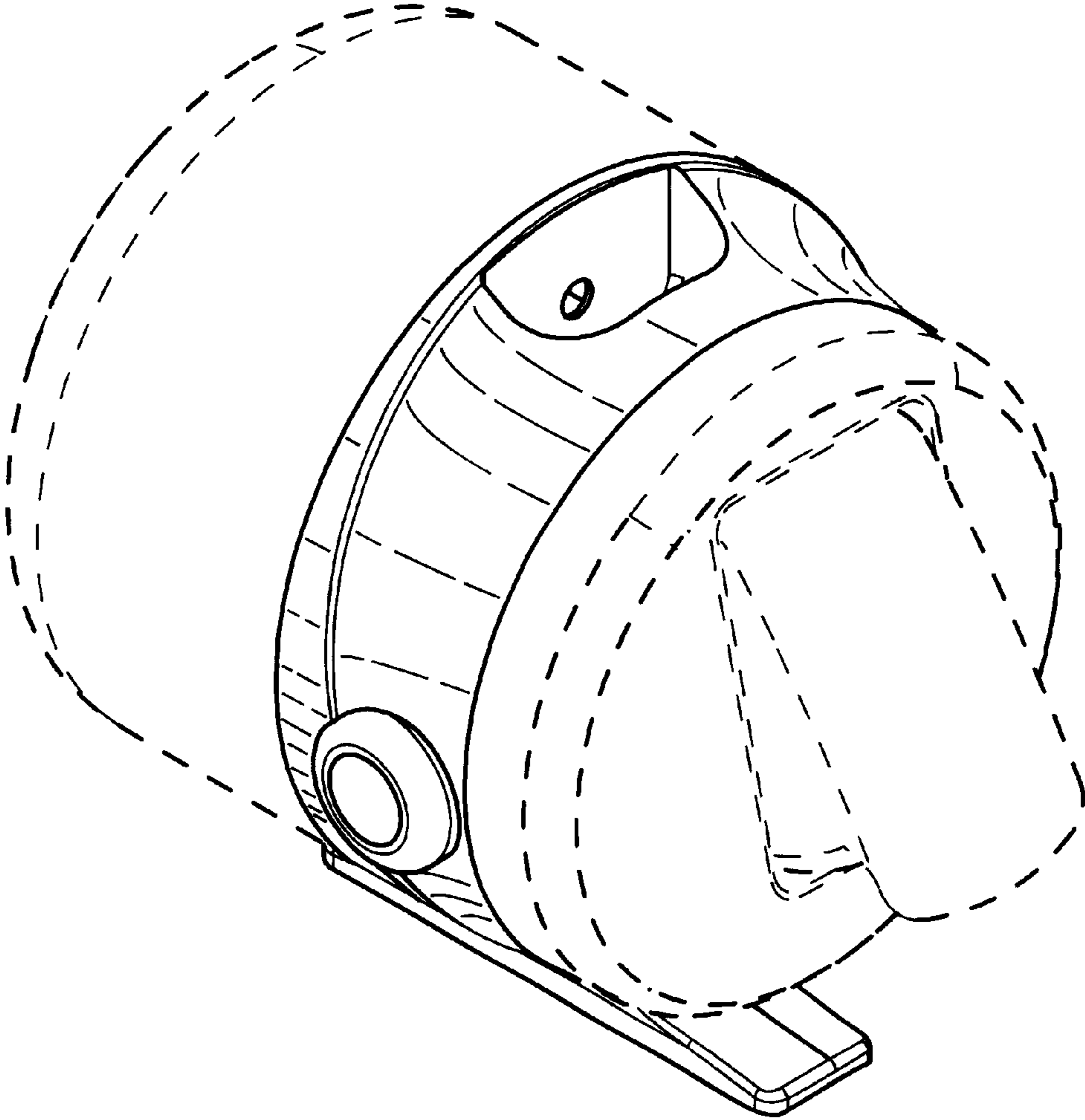


FIG 5

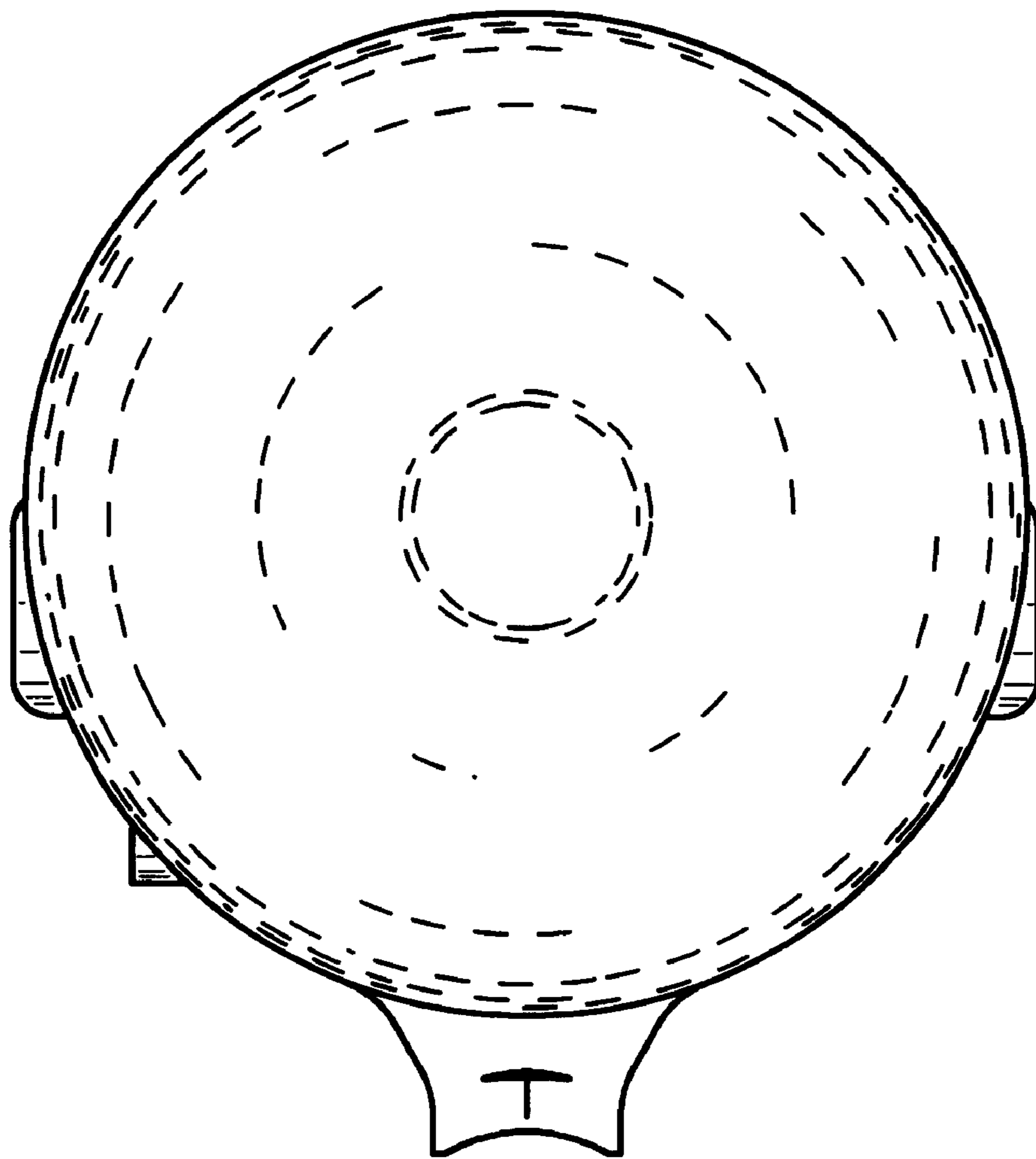


FIG 6

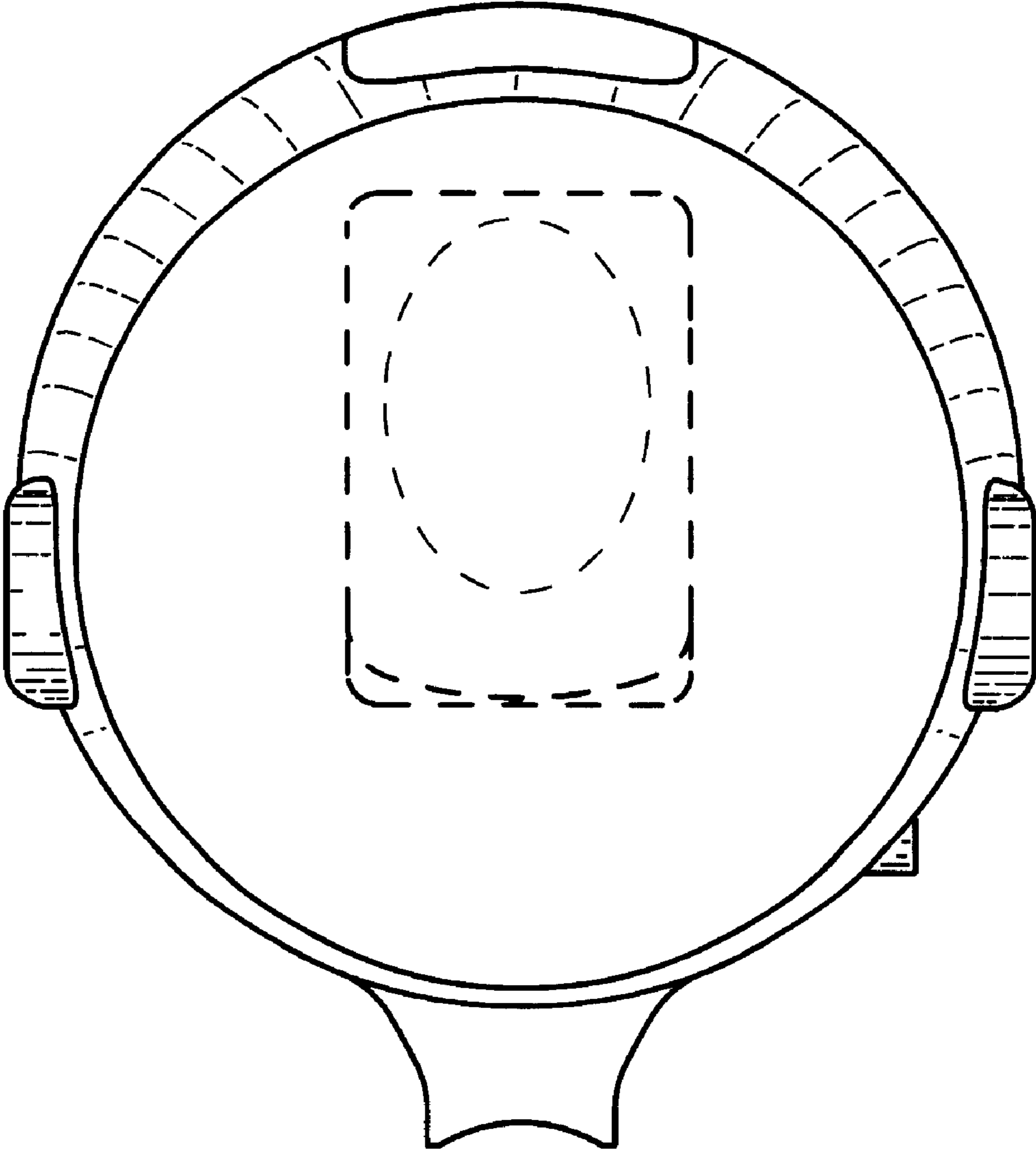


FIG 7

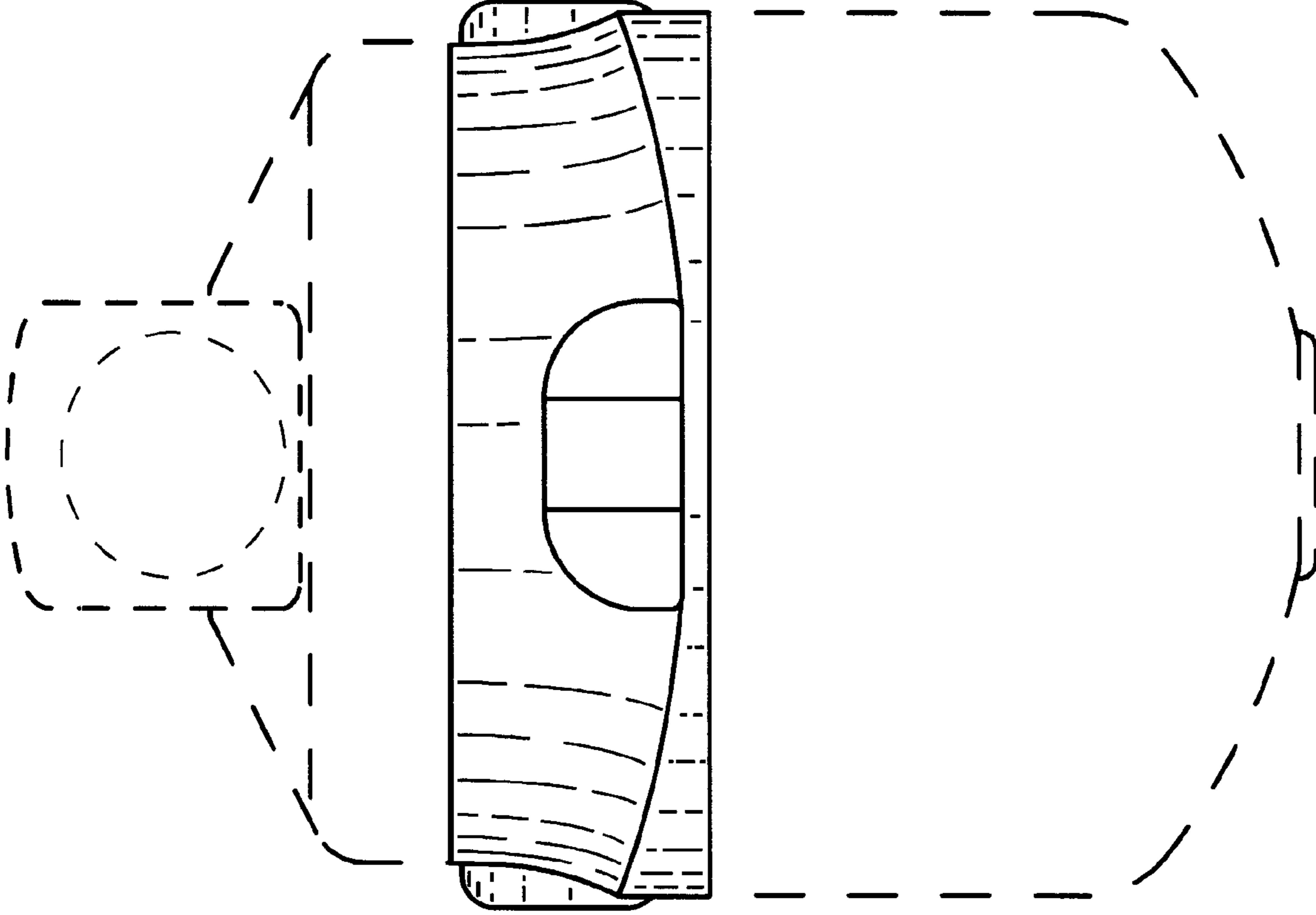


FIG 8