



US00D531254S

(12) **United States Design Patent**
Auberger

(10) **Patent No.:** **US D531,254 S**

(45) **Date of Patent:** **** Oct. 31, 2006**

(54) **TUNNEL**

(75) **Inventor:** **Benoit Auberger**, Mouilleron en Pareds (FR)

(73) **Assignee:** **Wesco Company S.A.**, Cerizay (FR)

(**) **Term:** **14 Years**

(21) **Appl. No.:** **29/234,074**

(22) **Filed:** **Jul. 13, 2005**

(30) **Foreign Application Priority Data**

Jan. 13, 2005 (EM) 000278783-0008

(51) **LOC (8) Cl.** **21-03**

(52) **U.S. Cl.** **D21/814**

(58) **Field of Classification Search** D21/811,
D21/814, 818-827, 499, 501; 482/35, 36;
446/99; 135/125

See application file for complete search history.

(56) **References Cited**

U.S. PATENT DOCUMENTS

D180,902 S	*	9/1957	Goundle et al.	D21/826
3,485,494 A	*	12/1969	Lieberman	482/35
D308,562 S	*	6/1990	Pentes	D21/826
5,387,165 A	*	2/1995	Warren	482/35
D357,299 S	*	4/1995	Laing et al.	D21/826
5,618,246 A	*	4/1997	Zheng	482/35

D381,386 S	*	7/1997	Strawcutter et al.	D21/826
D384,387 S	*	9/1997	Dunn et al.	D21/814
5,669,855 A	*	9/1997	Dunn et al.	482/35
5,692,993 A	*	12/1997	Dunn et al.	482/35
D389,550 S	*	1/1998	Williams	D21/826
5,722,446 A	*	3/1998	Zheng	135/125
6,210,247 B1	*	4/2001	Rodriguez Ferre	446/99
D513,524 S	*	1/2006	Auberger	D21/814
D514,650 S	*	2/2006	Auberger	D21/814
D514,651 S	*	2/2006	Auberger	D21/814

* cited by examiner

Primary Examiner—Mitchell Siegel

(74) *Attorney, Agent, or Firm*—Horst M. Kasper

(57) **CLAIM**

The ornamental design for a tunnel, as shown and described.

DESCRIPTION

FIG. 1 is a front elevational view of tunnel showing my new design;

FIG. 2 is a top plain view thereof;

FIG. 3 is a rear elevational view thereof;

FIG. 4 is a bottom view thereof;

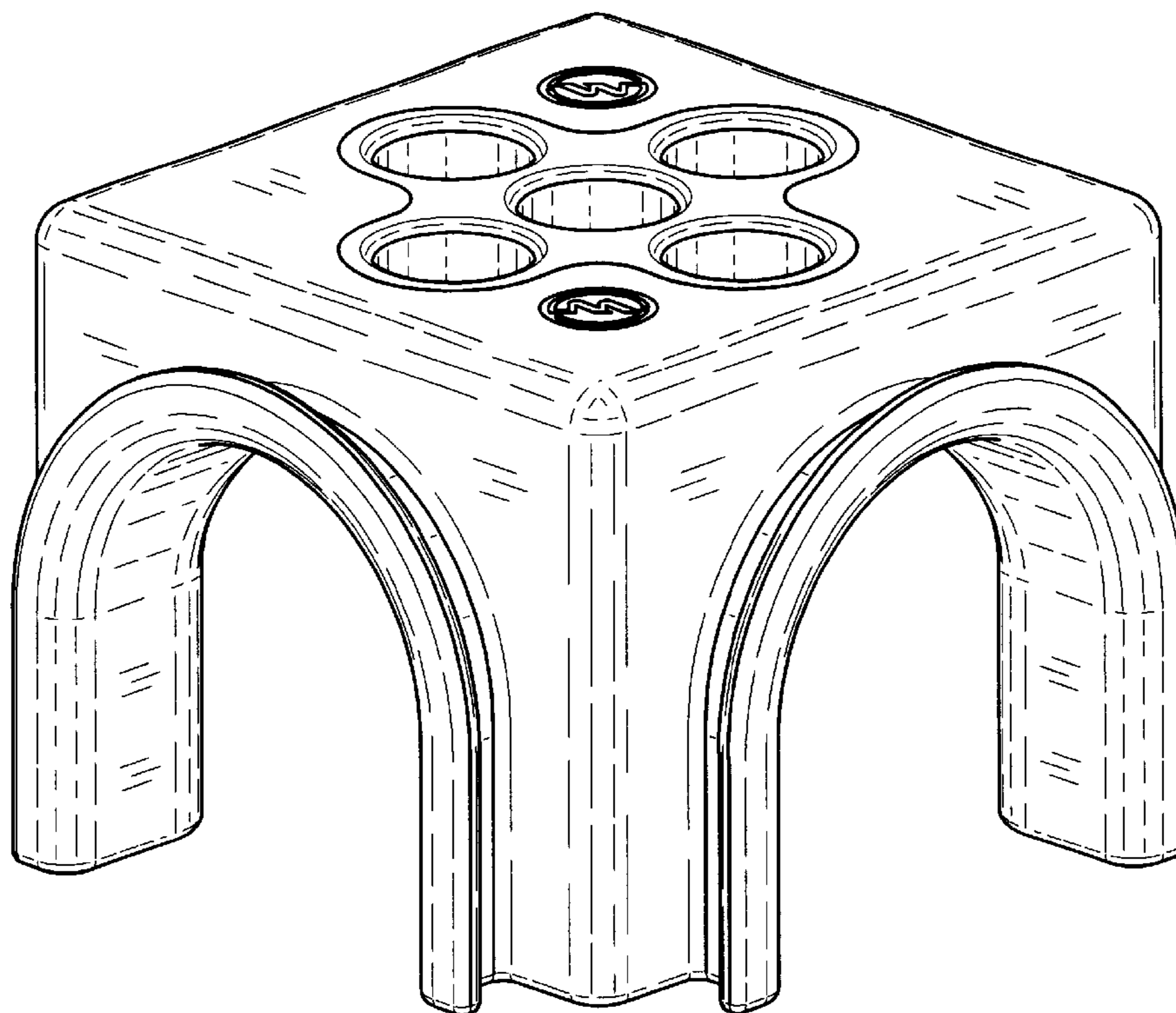
FIG. 5 is a right side elevational view thereof;

FIG. 6 is a left side elevational view thereof;

FIG. 7 is a frontal perspective view thereof; and,

FIG. 8 is a bottom perspective view.

1 Claim, 5 Drawing Sheets



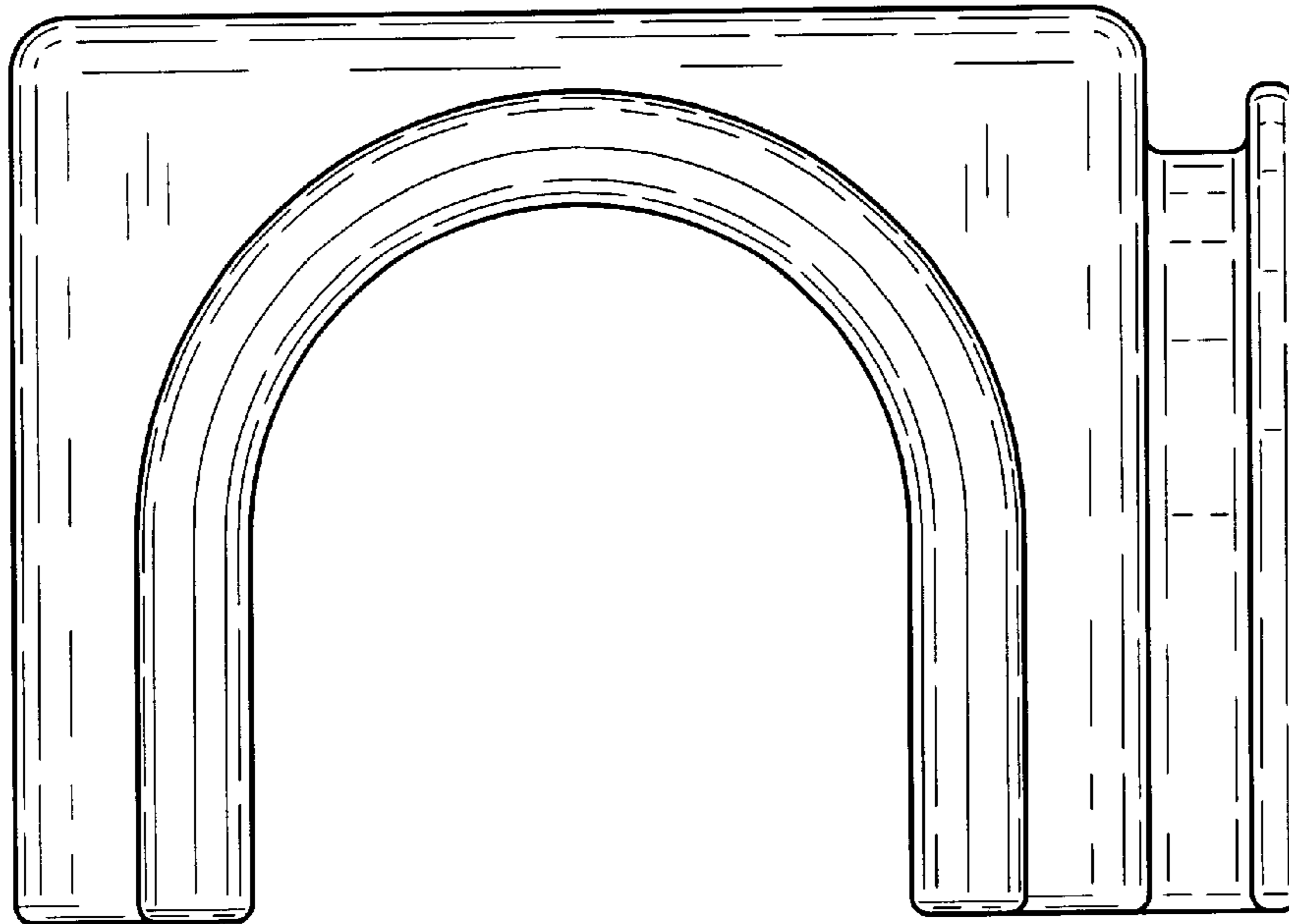


Fig.1

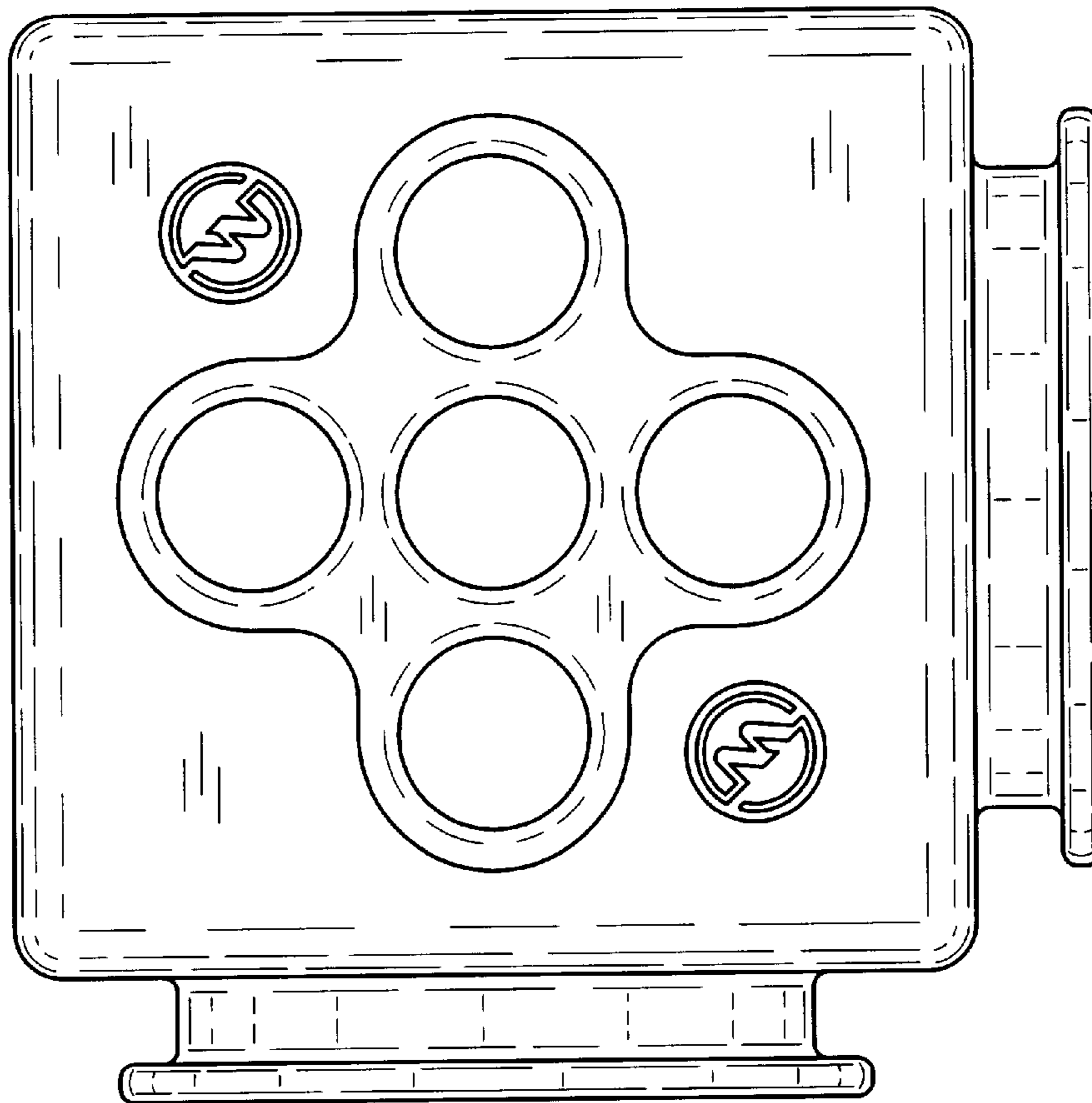


Fig.2

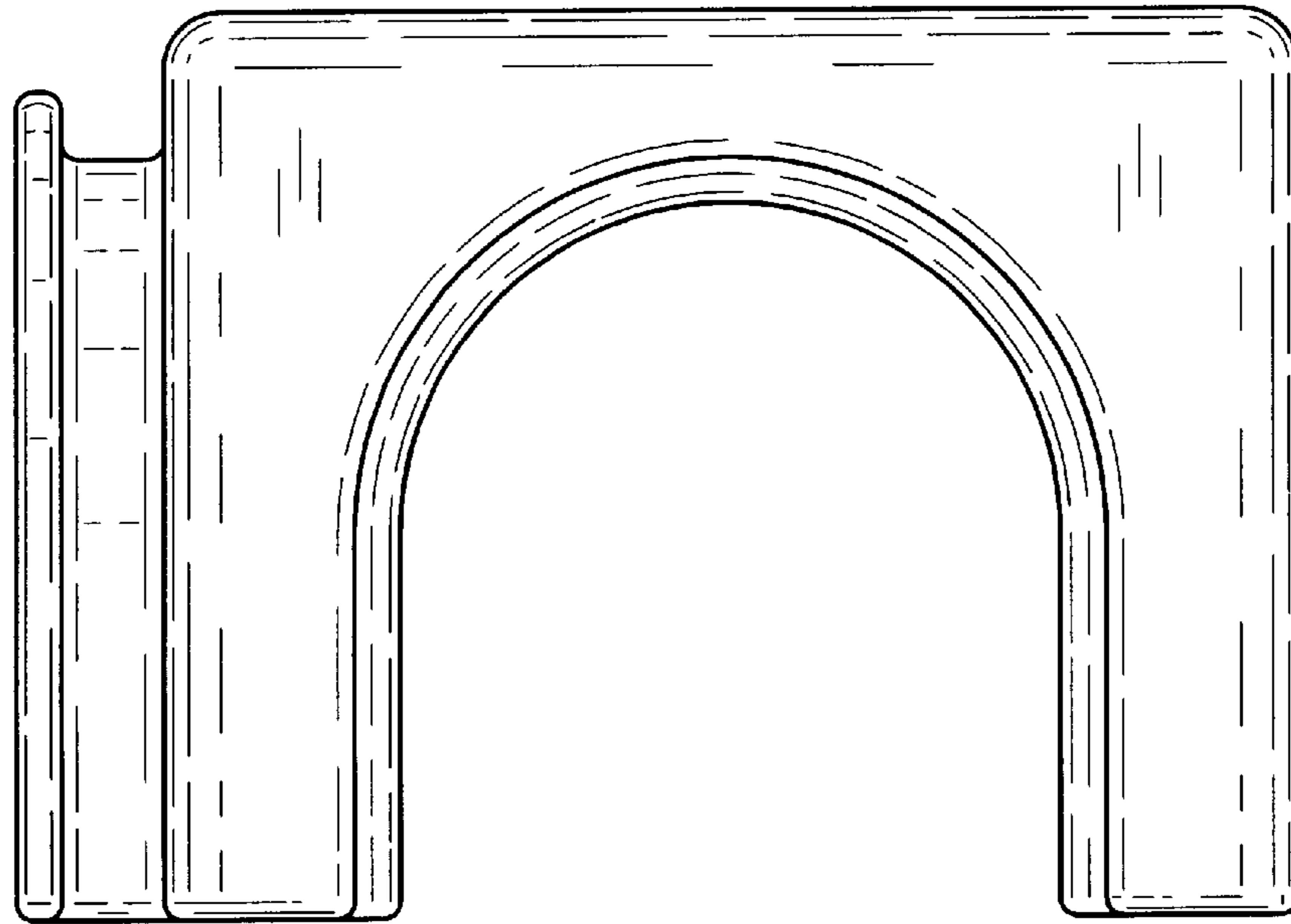


Fig.3

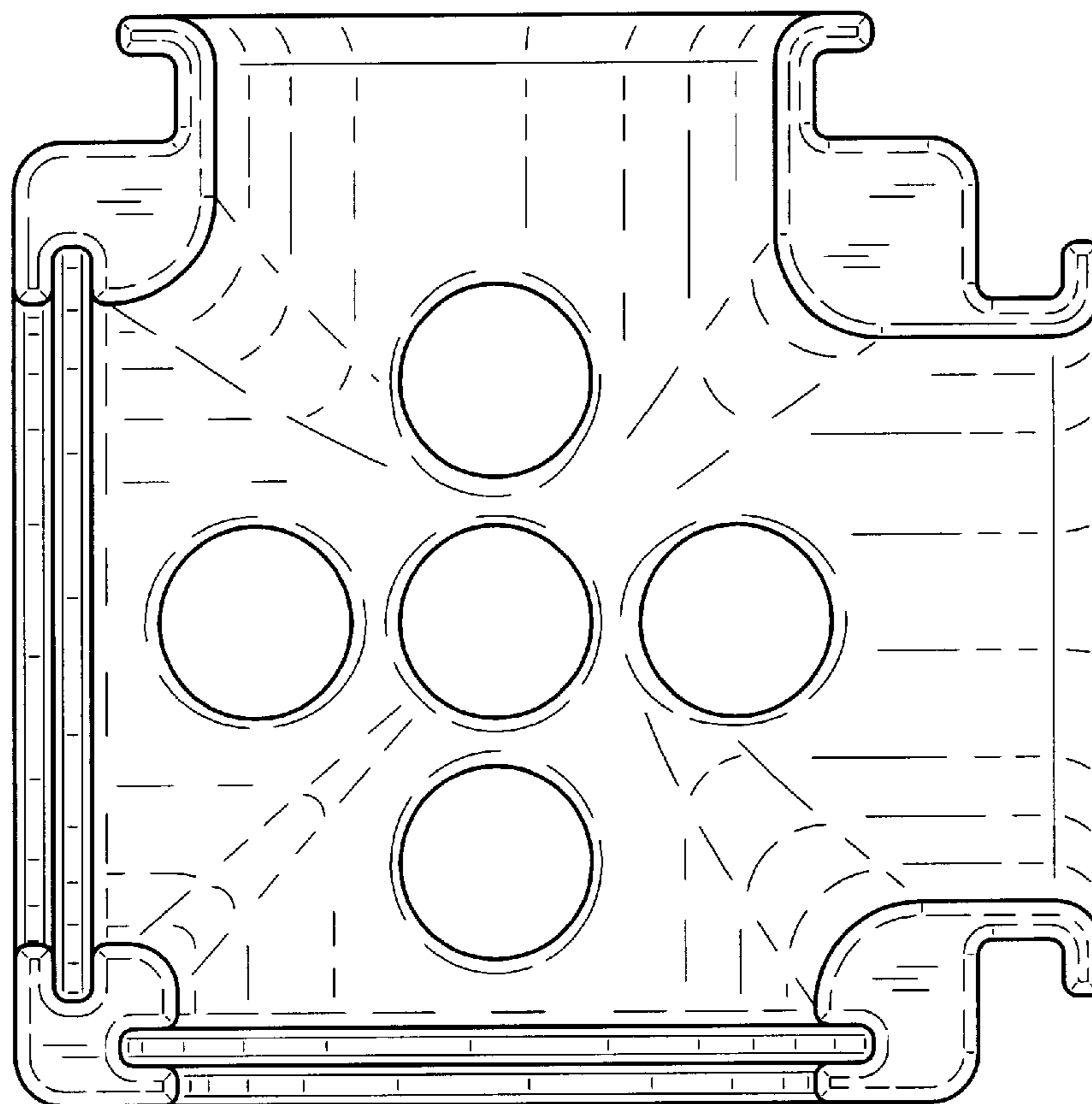


Fig.4

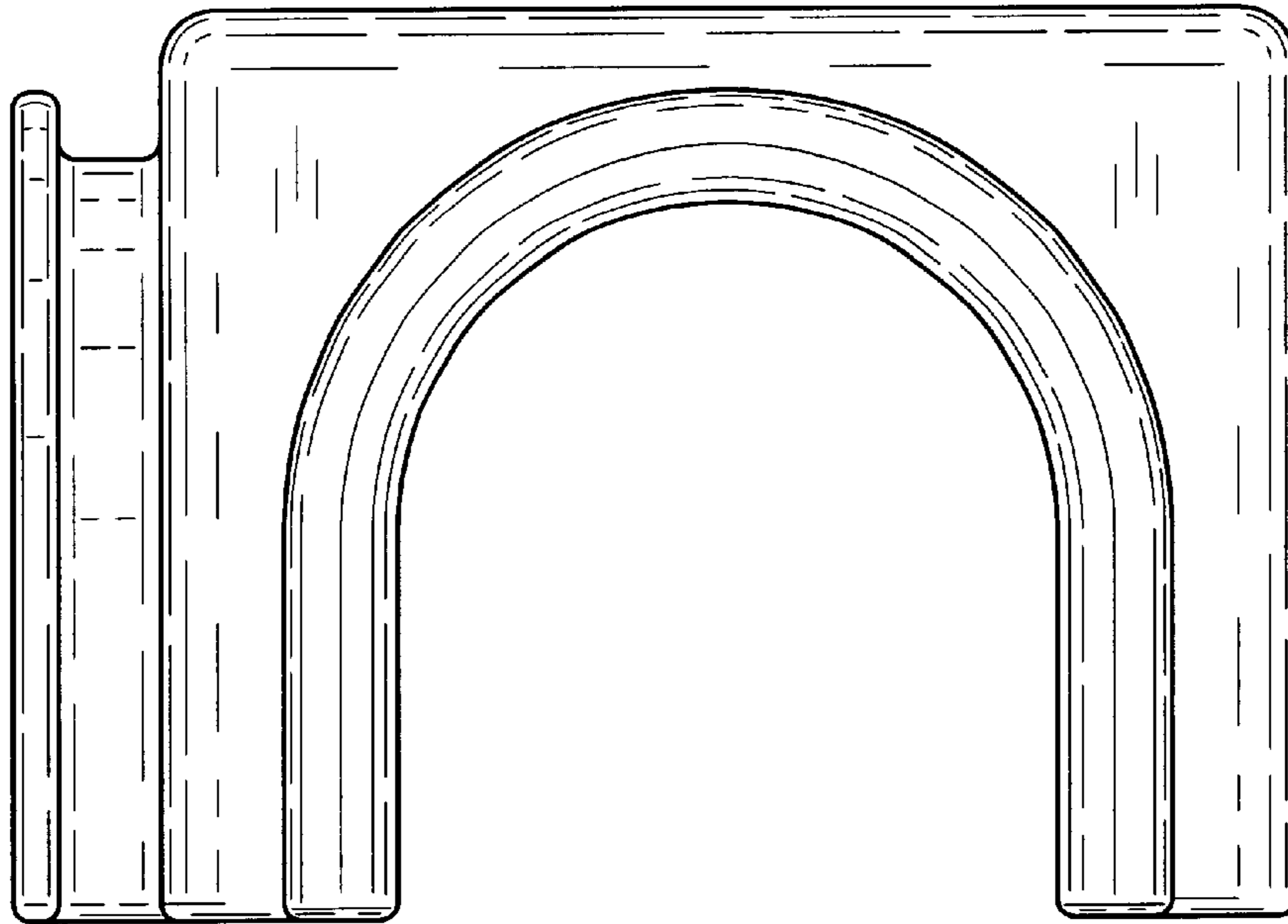


Fig.5

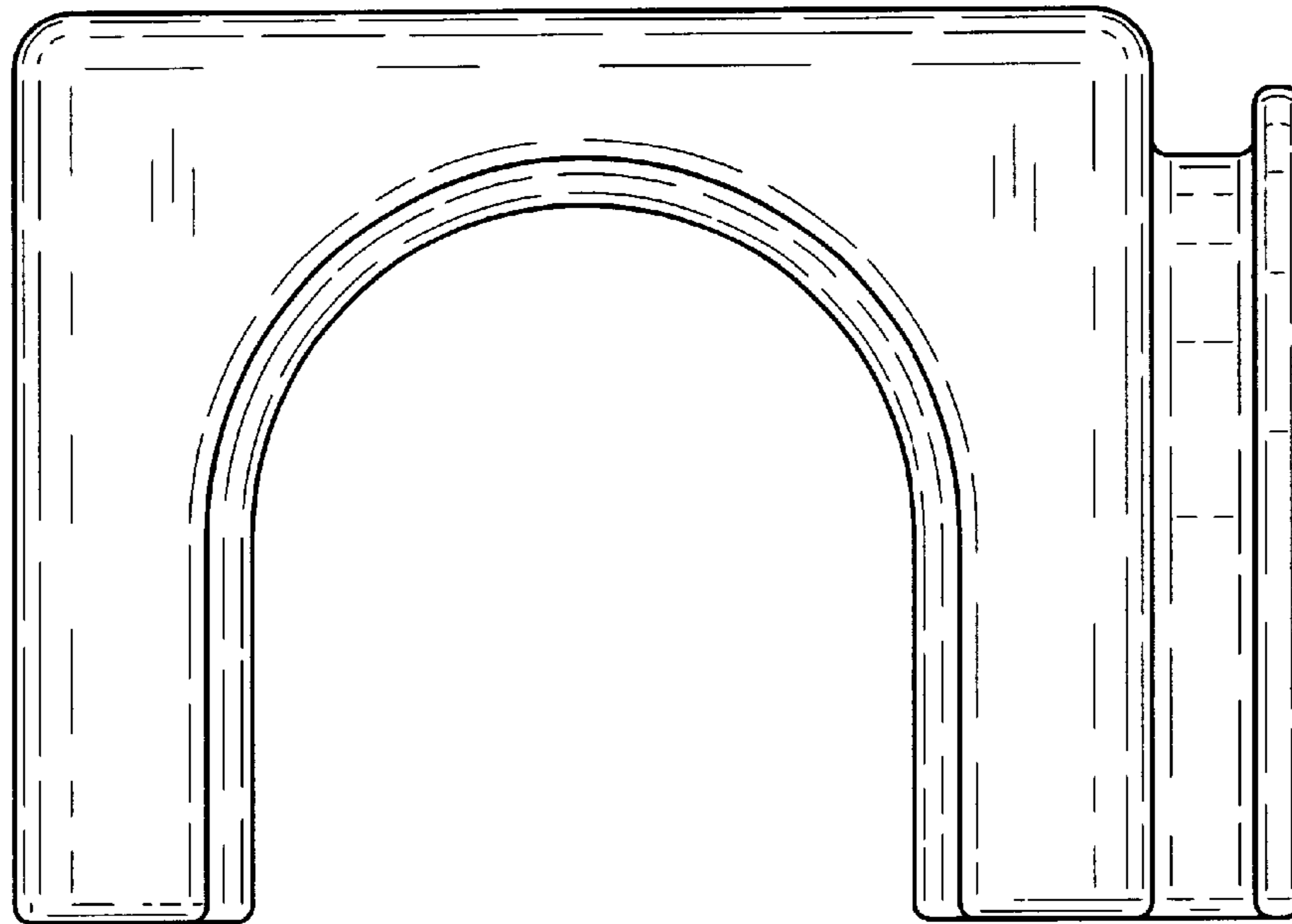


Fig.6

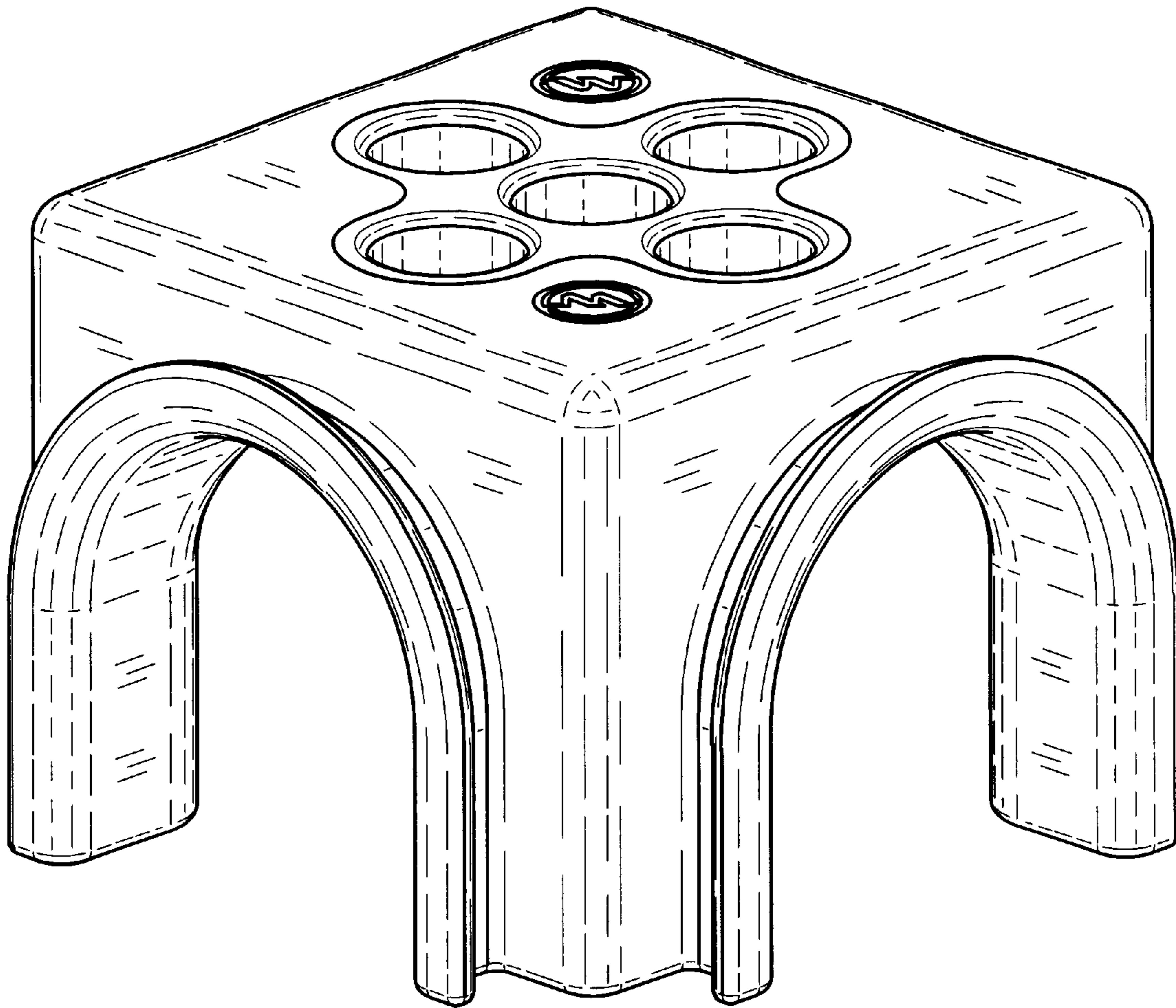


Fig.7

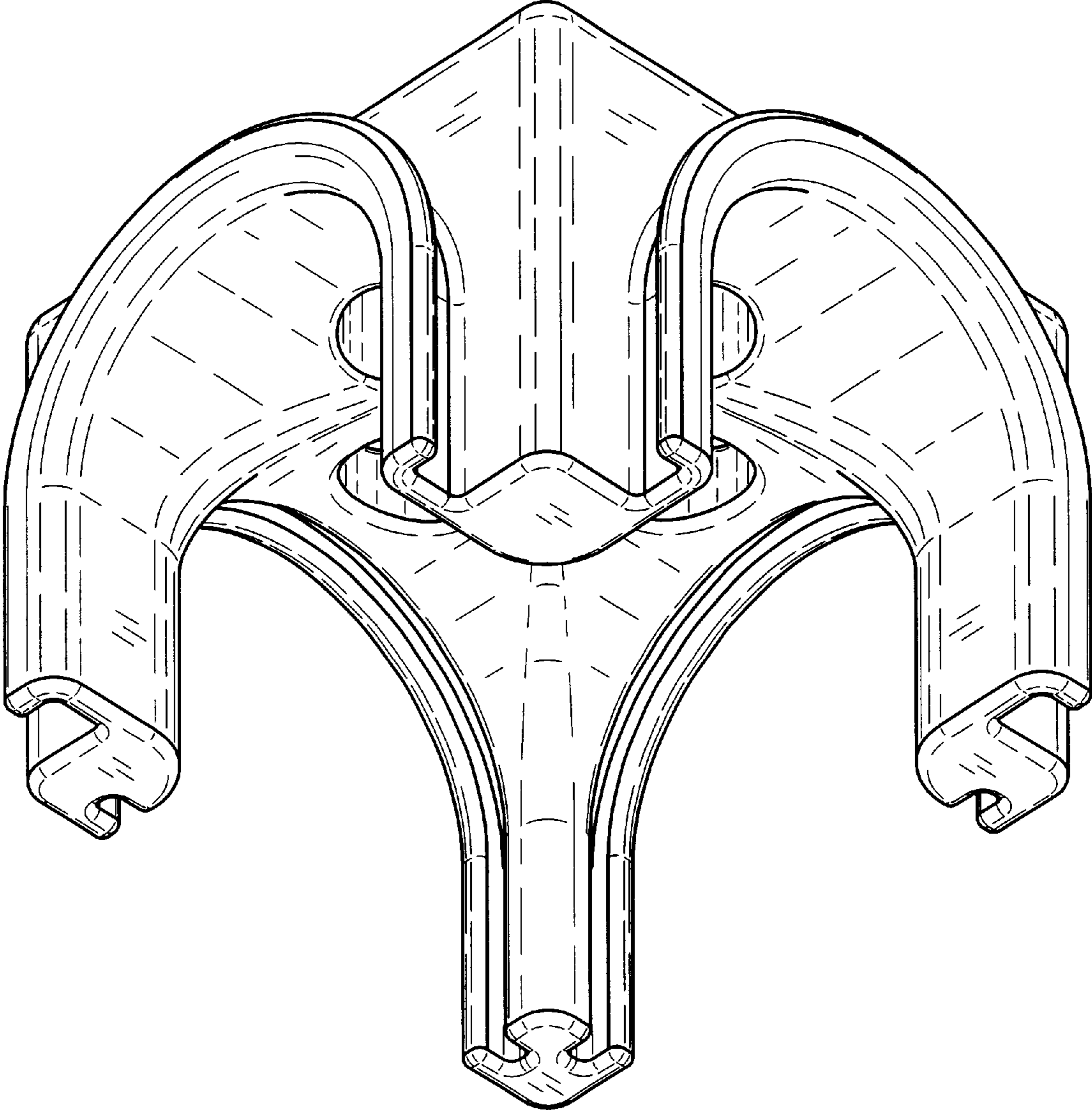


Fig.8