



US00D531250S

(12) **United States Design Patent**
Peterson

(10) **Patent No.:** **US D531,250 S**

(45) **Date of Patent:** **** *Oct. 31, 2006**

- (54) **INFLATABLE CANOPY LOUNGE**
- (75) Inventor: **Leroy L. Peterson**, Omaha, NE (US)
- (73) Assignee: **Sportsstuff, Inc.**, Omaha, NE (US)
- (*) Notice: This patent is subject to a terminal disclaimer.
- (**) Term: **14 Years**
- (21) Appl. No.: **29/227,840**
- (22) Filed: **Apr. 15, 2005**
- (51) **LOC (8) Cl.** **21-02**
- (52) **U.S. Cl.** **D21/809; D21/803**
- (58) **Field of Classification Search** D21/769-770,
D21/801, 803, 809; D6/392, 596, 601, 604;
472/128-129; D12/5, 6, 316; 114/253, 345-346;
441/35, 66, 40-42, 129-132
See application file for complete search history.

- 5,769,022 A * 6/1998 Luxford 114/361
- D409,268 S * 5/1999 O'Rourke D21/809
- D428,090 S * 7/2000 Peterson D21/803
- D428,466 S * 7/2000 Langley, III D21/808
- D481,435 S * 10/2003 Zheng D21/809
- D492,380 S * 6/2004 Zheng D21/809

FOREIGN PATENT DOCUMENTS

DE 3106689 A1 * 9/1982

OTHER PUBLICATIONS

The Shaper Image Catalog, Jun. 1997, p. 13, 'Azure Cabana Float' located on the lower left of page.*

* cited by examiner

Primary Examiner—Caron D. Veynar
Assistant Examiner—Zenia I. Bennett
(74) *Attorney, Agent, or Firm*—Sturm & Fix LLP

(57) **CLAIM**

The ornamental design for an inflatable canopy lounge, as shown and described.

DESCRIPTION

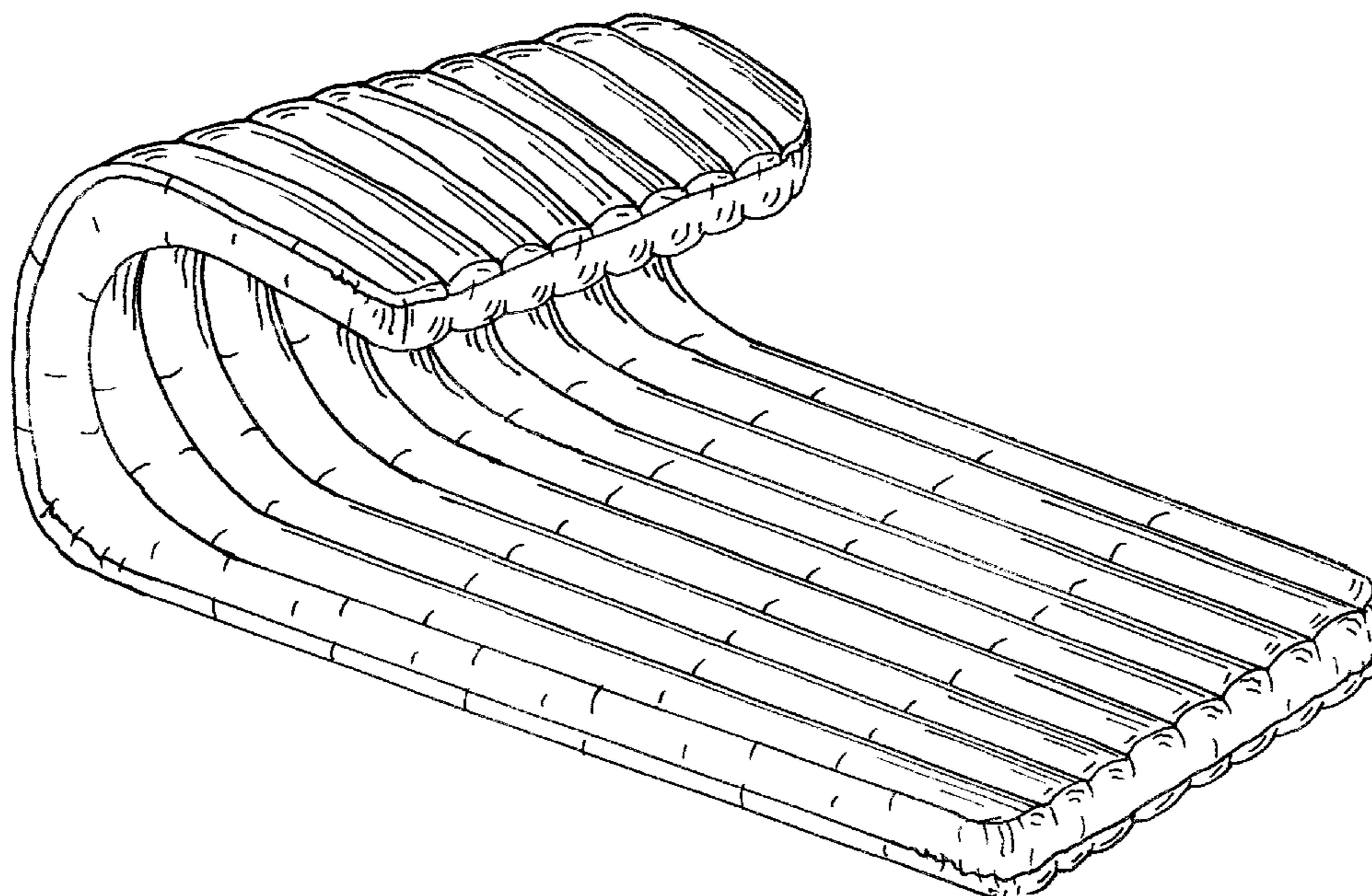
FIG. 1 is a perspective view of the inflatable canopy lounge showing my new design;
FIG. 2 is a left side elevational view thereof, the right side elevational view being a mirror image of FIG. 2;
FIG. 3 is a top plan view thereof;
FIG. 4 is a front elevational view thereof;
FIG. 5 is a rear elevational view thereof; and,
FIG. 6 is a bottom plan view thereof.

1 Claim, 2 Drawing Sheets

(56) **References Cited**

U.S. PATENT DOCUMENTS

- 2,036,548 A * 4/1936 Silvernail 441/66
- 2,620,493 A * 12/1952 Brelsford 5/700
- 2,717,399 A * 9/1955 Backhouse 441/135
- D206,335 S * 11/1966 Salipasso D12/11
- 4,723,329 A * 2/1988 Vaccaro 5/710
- D308,403 S * 6/1990 LaForce, Jr. D21/809
- D349,145 S * 7/1994 Haughey D21/809
- D351,009 S * 9/1994 Wolfe D21/809
- 5,458,517 A * 10/1995 Ellis 441/129
- D394,891 S * 6/1998 Peterson D21/809
- 5,766,052 A * 6/1998 Metro et al. 441/130



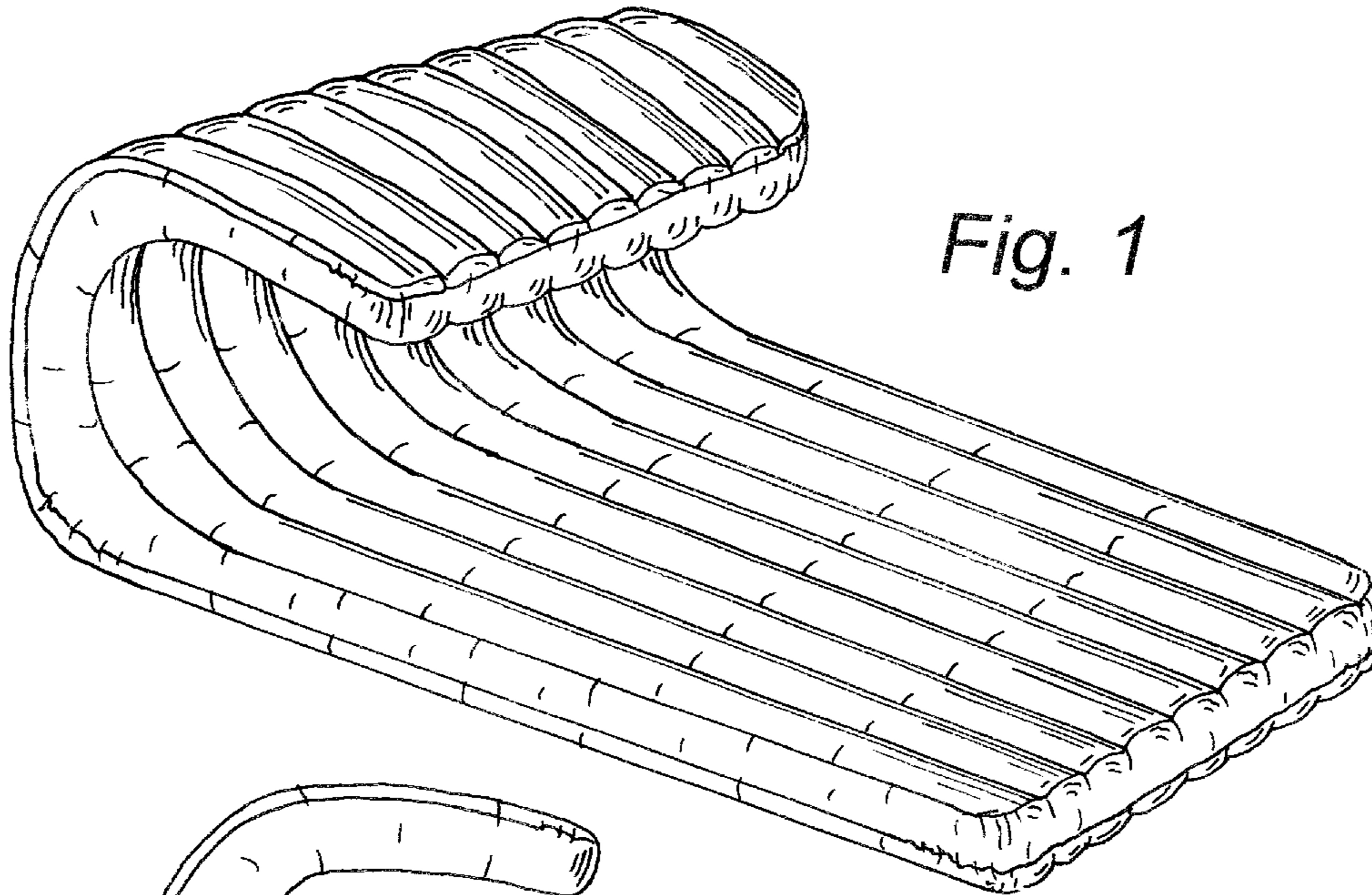


Fig. 1

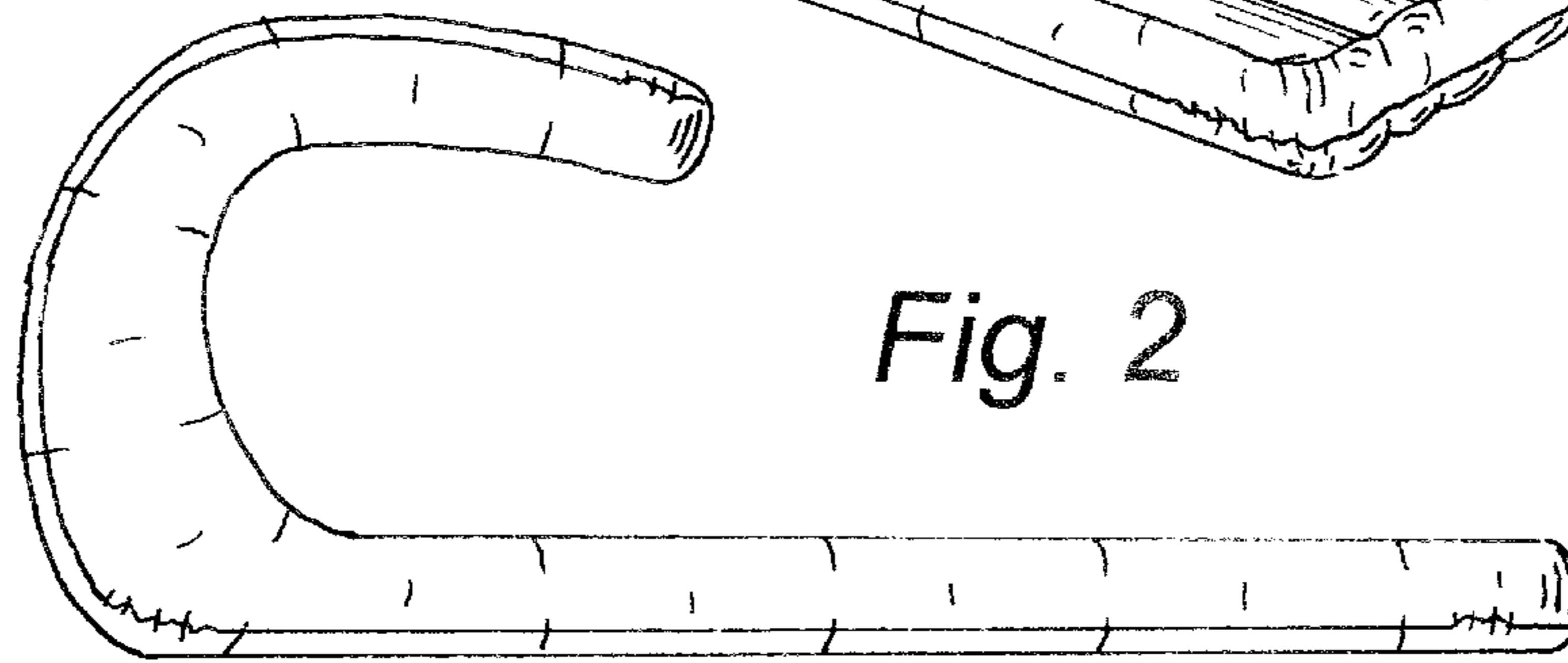


Fig. 2

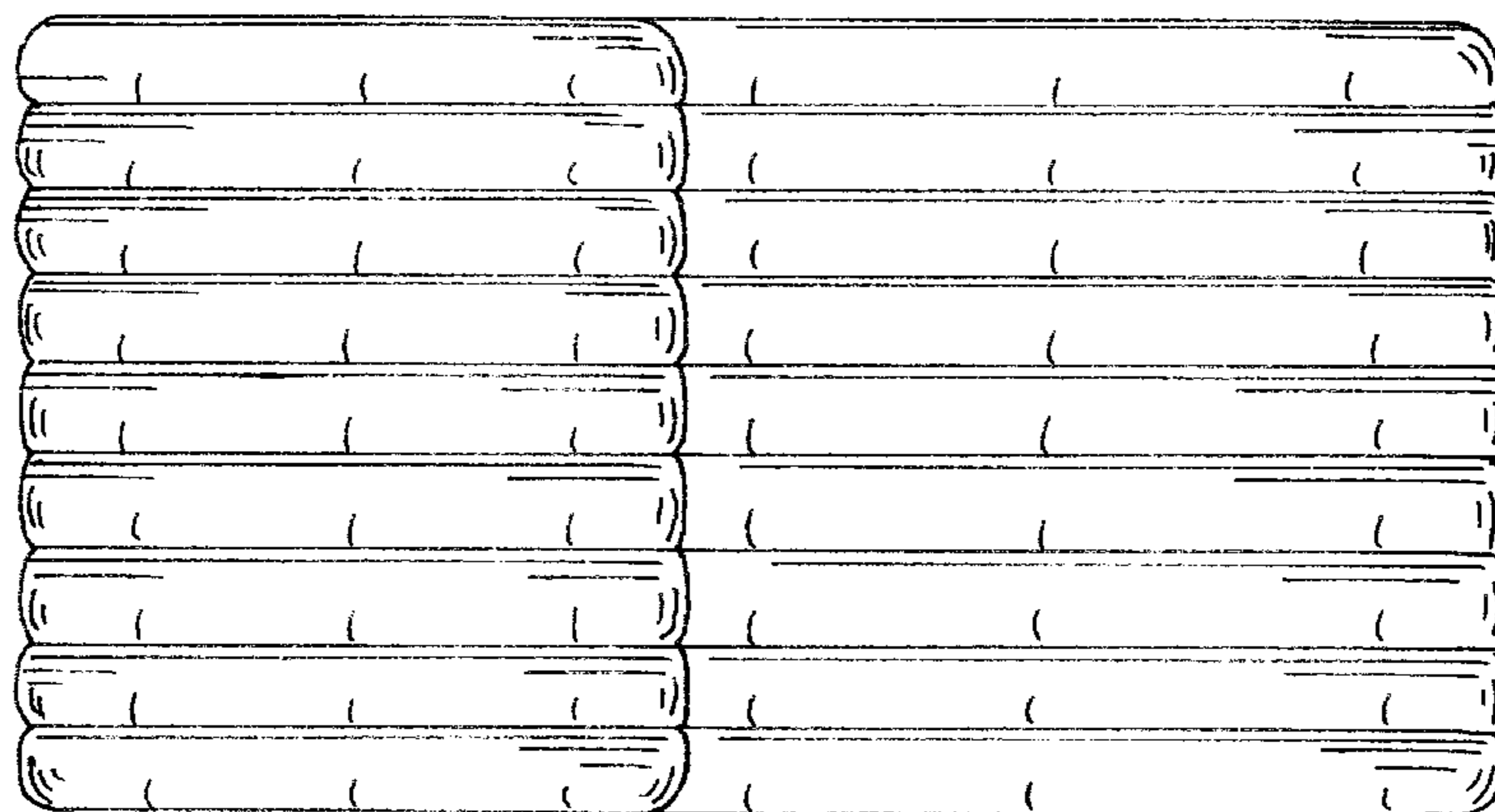


Fig. 3

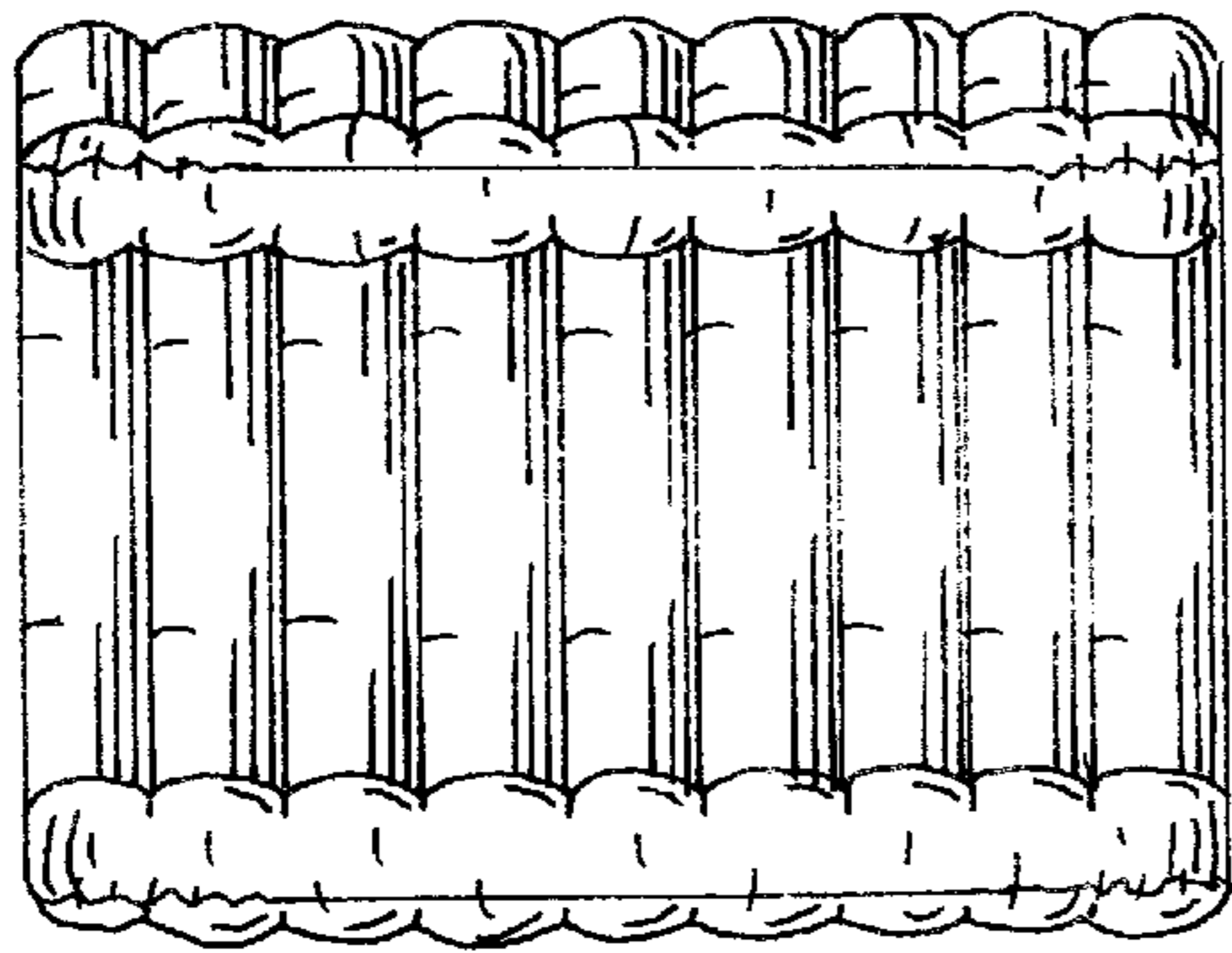


Fig. 4

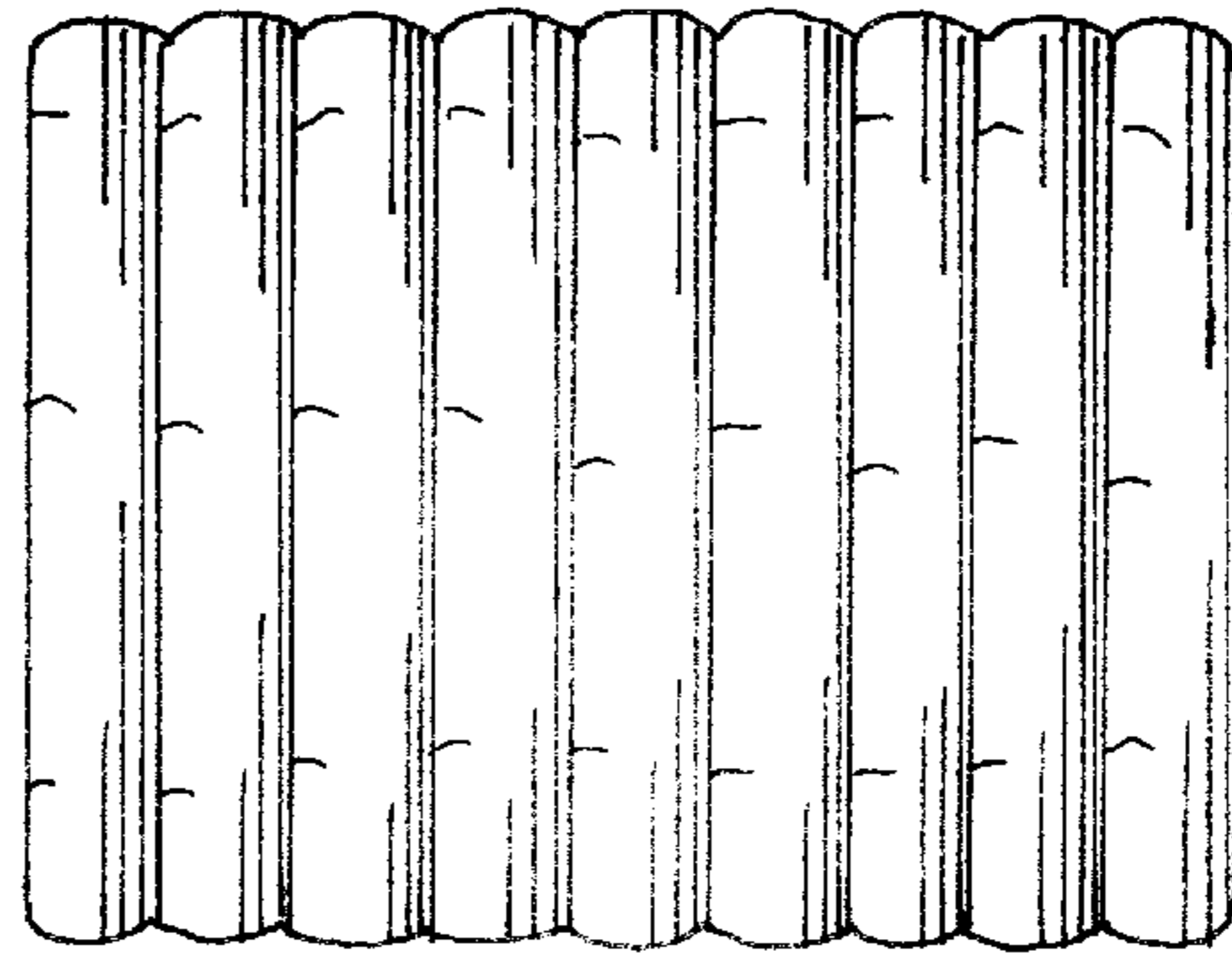


Fig. 5

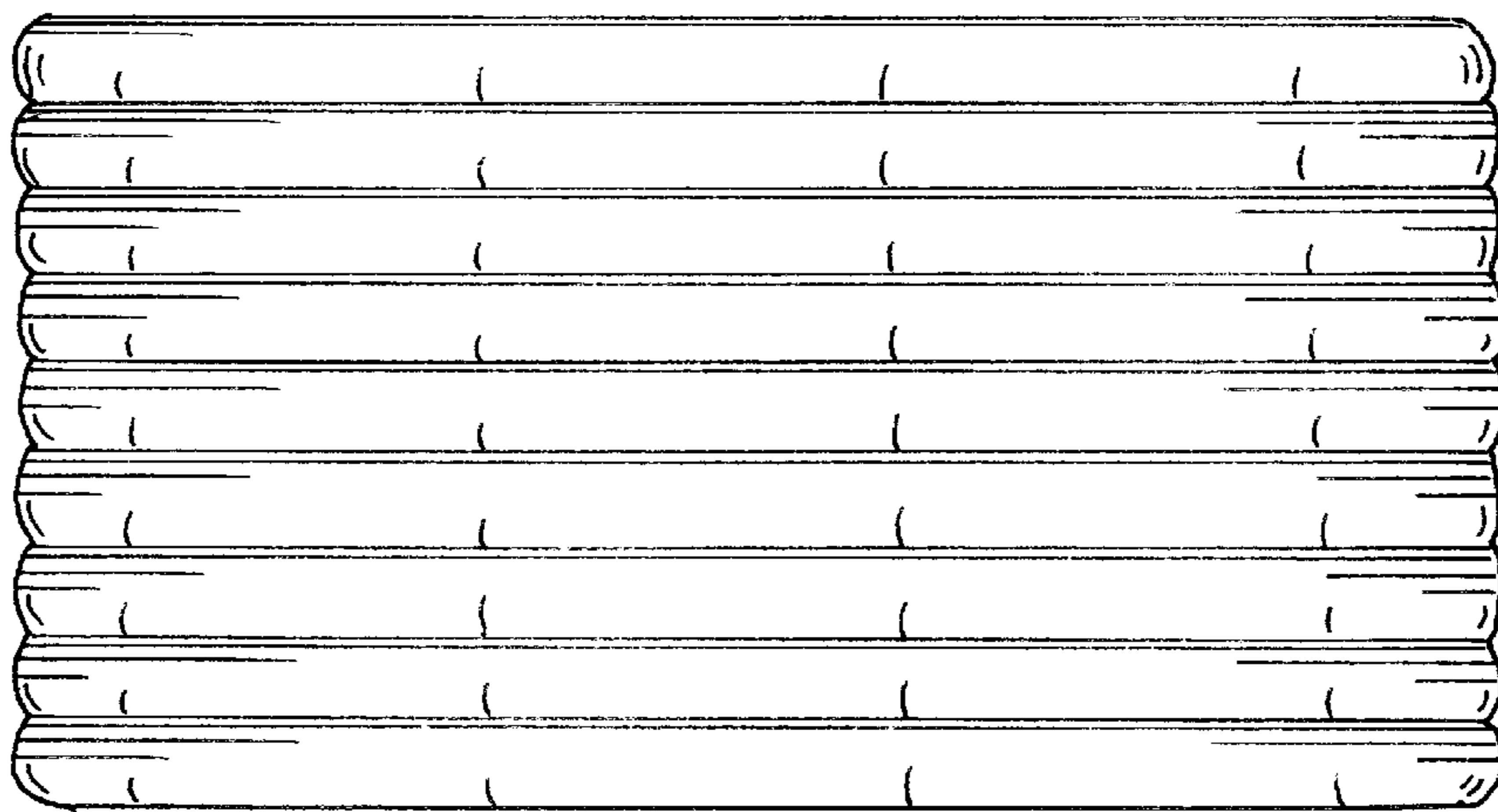


Fig. 6