



US00D531246S

(12) **United States Design Patent**  
**French**

(10) **Patent No.:** **US D531,246 S**

(45) **Date of Patent:** **\*\* Oct. 31, 2006**

(54) **SNOWBOARD LEASH**

(76) Inventor: **Michael French**, P.O. Box 369, 860 W. Central St., Franklin, MA (US) 02308

(\*\*) Term: **14 Years**

(21) Appl. No.: **29/231,677**

(22) Filed: **Jun. 8, 2005**

(51) **LOC (8) Cl.** ..... **21-02**

(52) **U.S. Cl.** ..... **D21/774**

(58) **Field of Classification Search** ..... D21/760-761, D21/765-766, 768, 771, 772-777, 684-685, D21/694; 280/609-610, 842, 11.3, 11.31, 280/601-685, 809, 814, 822; D3/215, 327  
See application file for complete search history.

(56) **References Cited**

**U.S. PATENT DOCUMENTS**

D272,867 S	*	3/1984	Gwaltney et al.	.....	D3/319
D279,023 S	*	5/1985	Wessels	.....	D21/774
D281,005 S	*	10/1985	Larsen	.....	D21/694
4,706,914 A	*	11/1987	Ground	.....	248/74.3
5,056,819 A	*	10/1991	Hayes	.....	280/809
5,197,760 A	*	3/1993	Schollenberger	.....	280/814
5,870,849 A	*	2/1999	Colson, Jr.	.....	43/25.2
5,908,206 A	*	6/1999	LoPresti, Jr.	.....	280/814
D453,366 S	*	2/2002	French	.....	D21/774

D472,680 S \* 4/2003 Morge ..... D29/123

\* cited by examiner

*Primary Examiner*—Cathron C. Brooks

*Assistant Examiner*—Zenia I. Bennett

(74) *Attorney, Agent, or Firm*—Salter & Michaelson

(57) **CLAIM**

The ornamental design for a snowboard leash, as shown and described.

**DESCRIPTION**

FIG. 1 is a perspective view showing my new design for a snowboard leash in operative position on a snowboard/boot assembly;

FIG. 2 is a perspective view of my new design;

FIG. 3 is a front elevational view thereof;

FIG. 4 is a rear elevational view thereof;

FIG. 5 is a top plan view thereof;

FIG. 6 is a bottom plan view thereof;

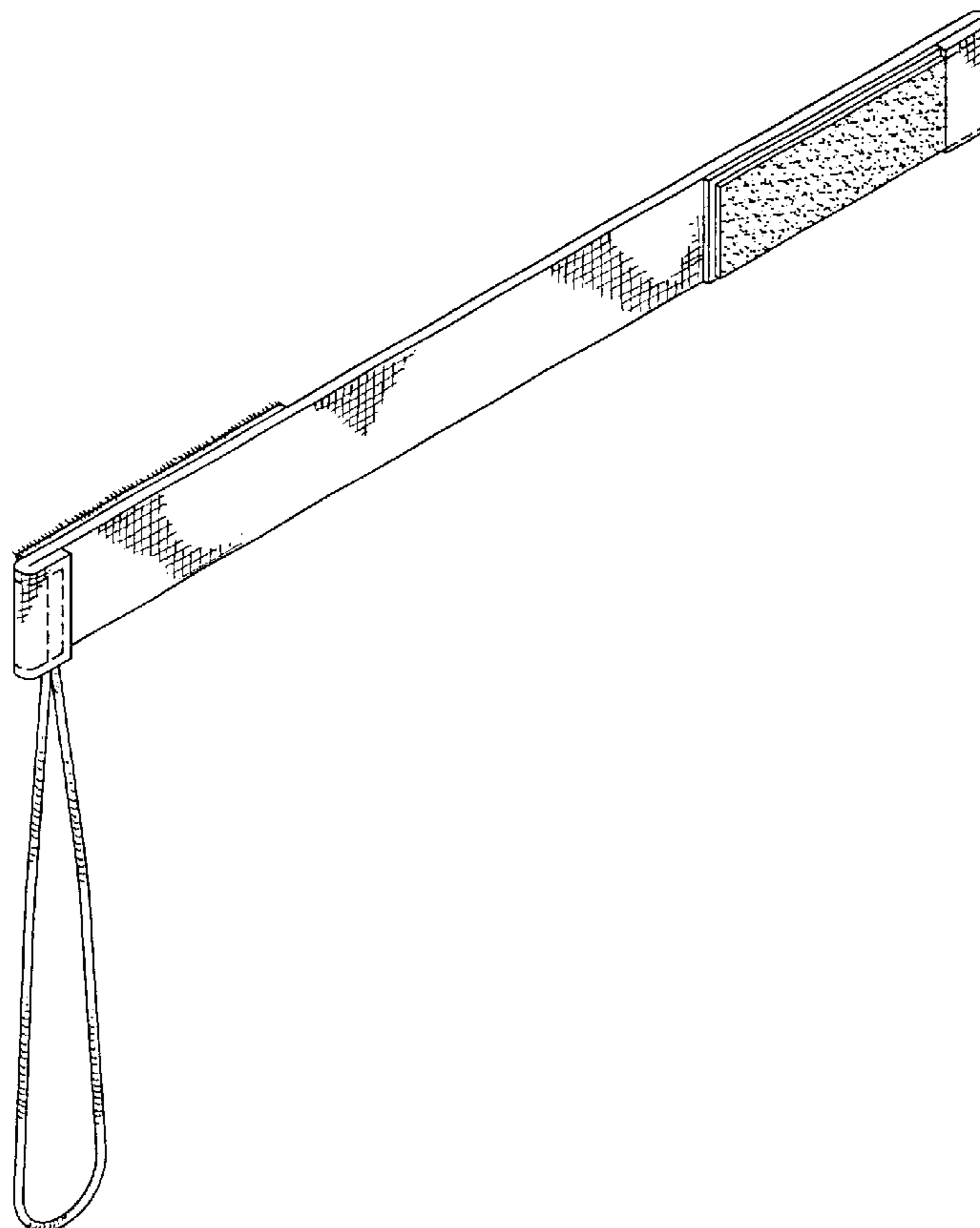
FIG. 7 is a left end view thereof; and,

FIG. 8 is a right end view thereof.

The portions shown in broken lines in FIG. 1 are for information only and form no part of the claimed design.

The broken lines shown in FIGS. 2-4 and 7-8 represent stitching and are part of the claimed design.

**1 Claim, 4 Drawing Sheets**



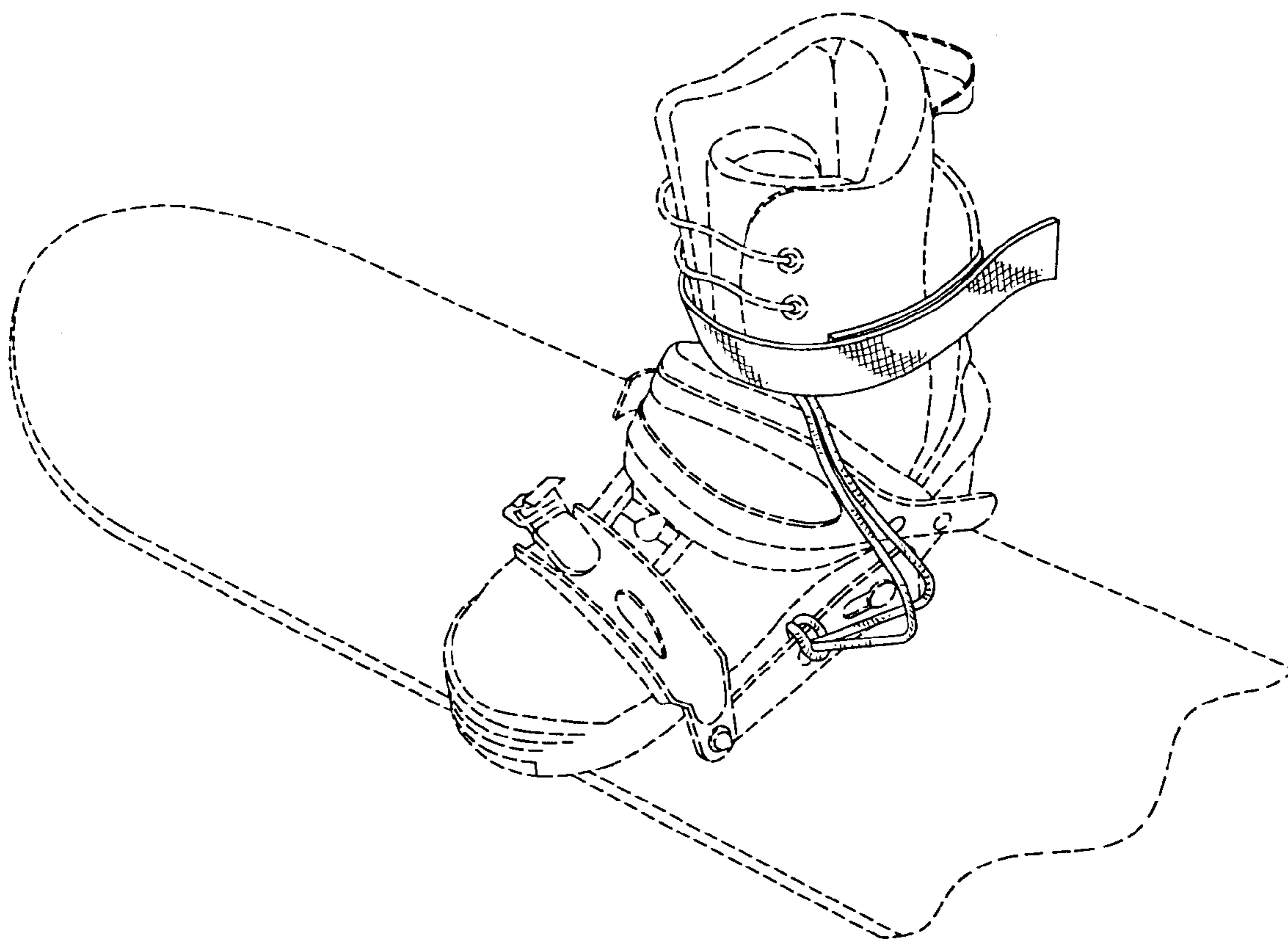


FIG. 1

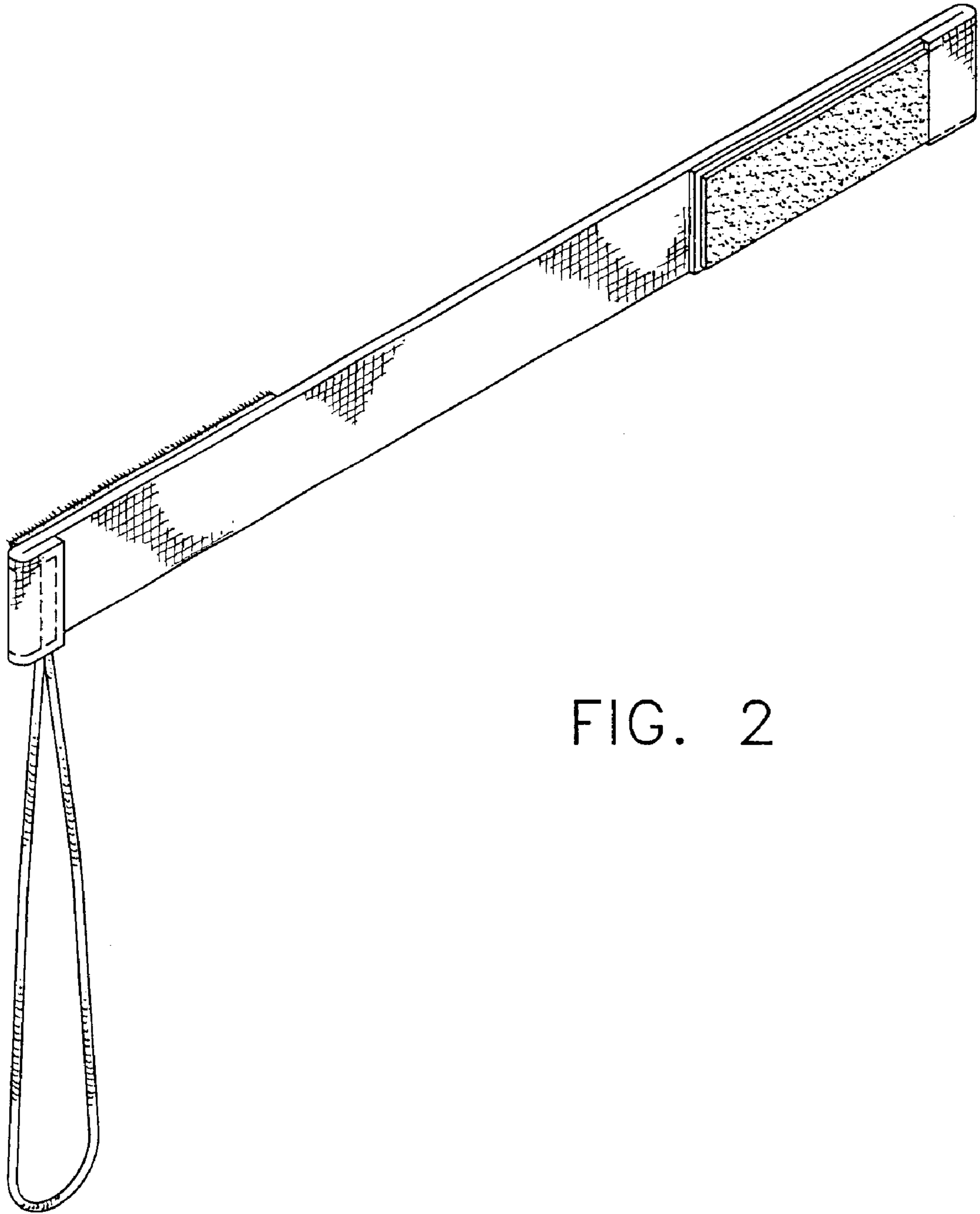


FIG. 2

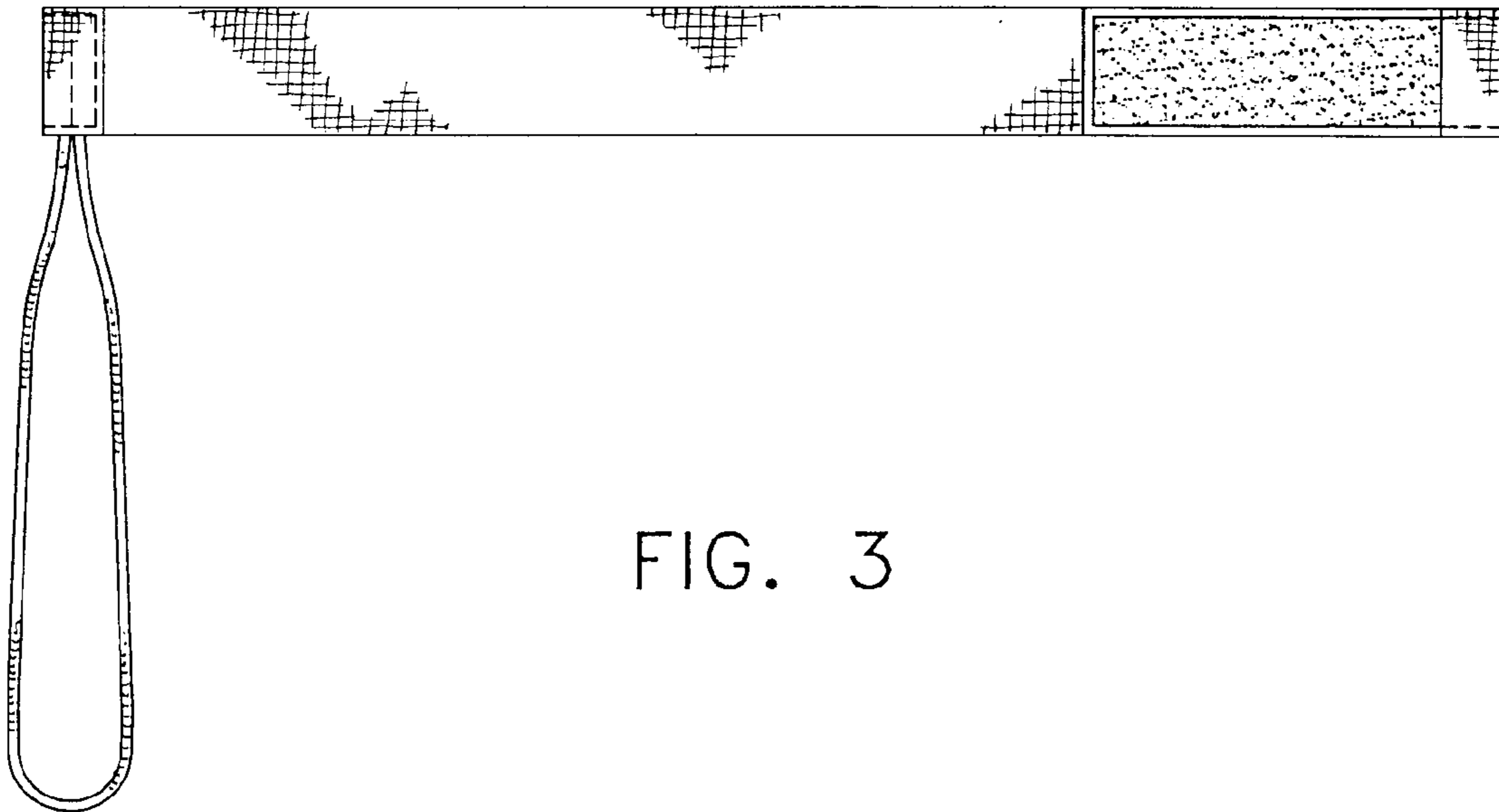


FIG. 3

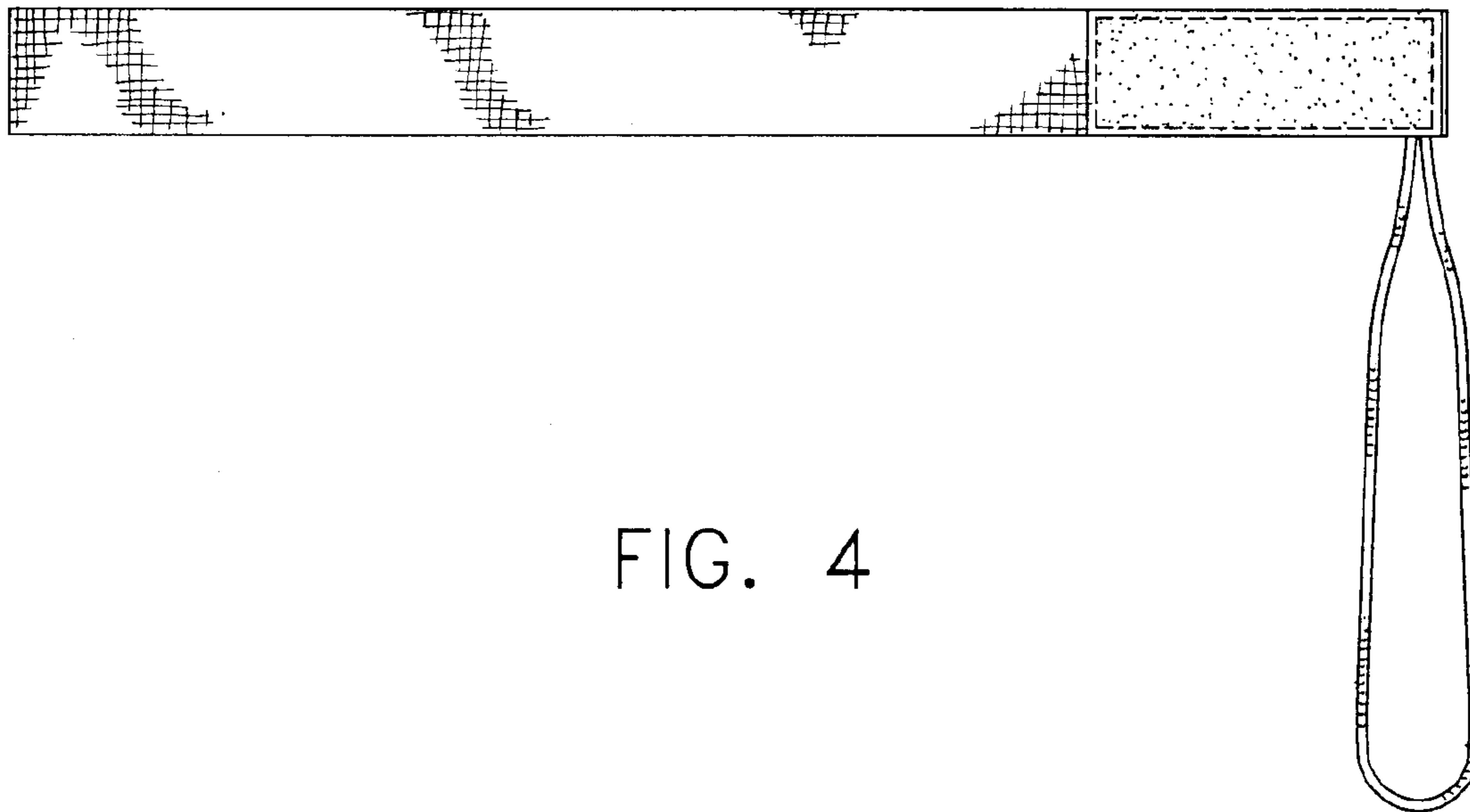


FIG. 4

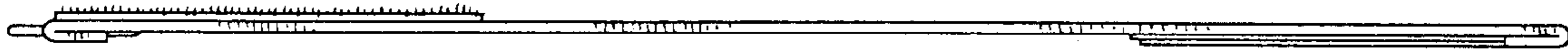


FIG. 5



FIG. 6

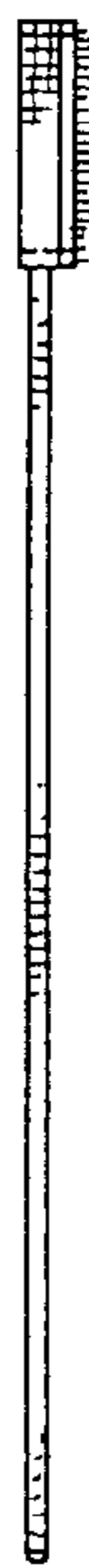


FIG. 7

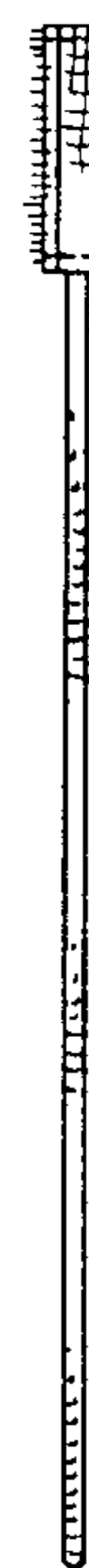


FIG. 8