



US00D531245S

(12) **United States Design Patent**
Shenoha

(10) **Patent No.:** **US D531,245 S**

(45) **Date of Patent:** **** Oct. 31, 2006**

(54) **GOLF CLUB HEAD WITH SUPPORTS**

(75) Inventor: **James L. Shenoha**, Homer Glen, IL
(US)

(73) Assignee: **Tour Edge Golf Manufacturing Co.**,
Batavia, IL (US)

(**) Term: **14 Years**

(21) Appl. No.: **29/246,422**

(22) Filed: **Apr. 10, 2006**

Related U.S. Application Data

(62) Division of application No. 29/224,707, filed on Mar. 4,
2005.

(51) **LOC (8) Cl.** **21-02**

(52) **U.S. Cl.** **D21/759**

(58) **Field of Classification Search** D21/736-746,
D21/752, 759; 473/324-331, 251-256, 340,
473/341

See application file for complete search history.

(56) **References Cited**

U.S. PATENT DOCUMENTS

1,531,821 A	3/1925	Scott
1,669,482 A	5/1928	Miller
2,255,332 A	9/1941	Russell
3,680,868 A	8/1972	Jacob
3,761,095 A	9/1973	Thompson
3,815,921 A	6/1974	Turner
3,893,672 A	7/1975	Schonher
3,955,819 A	5/1976	Yokich
3,961,796 A	6/1976	Thompson
4,065,133 A	12/1977	Gordos
4,332,388 A	6/1982	Crow
4,498,673 A	2/1985	Swanson
4,535,992 A	8/1985	Slagle
4,679,792 A	7/1987	Straza et al.
4,804,184 A	2/1989	Maltby
4,832,344 A	5/1989	Werner
4,962,931 A	10/1990	Jazdzyk, Jr.
5,211,401 A	5/1993	Hainey
5,213,329 A	5/1993	Okumoto et al.

5,286,027 A	2/1994	Koumarianos	
D345,403 S	* 3/1994	Sanchez D21/752
5,332,214 A	7/1994	Tucker, Sr.	
5,335,913 A	8/1994	White	
D364,303 S	11/1995	Larsen	
5,524,890 A	* 6/1996	Kim et al. 473/327
5,607,365 A	3/1997	Wolf	
5,938,538 A	8/1999	Broadbridge et al.	
D446,567 S	* 8/2001	Nagai et al. D21/759
RE37,647 E	4/2002	Wolf	
D461,865 S	* 8/2002	Nagai et al. D21/759
6,464,599 B1	10/2002	Wolf	
6,767,292 B1	7/2004	Skalla, Sr.	

OTHER PUBLICATIONS

Eclipse Belly Putter Advertisements, printed from www.a-
sertasports.com on Nov. 9, 2004.

Aserta Sports Advertisement, printed from www.aser-
tasports.com on Nov. 9, 2004.

* cited by examiner

Primary Examiner—Mitchell Siegel

(74) *Attorney, Agent, or Firm*—Bell, Boyd & Lloyd LLC

(57) **CLAIM**

The ornamental design for a golf club head with supports, as
shown and described herein.

DESCRIPTION

FIG. 1 is a bottom rear perspective view of one embodiment
of a golf club head with supports of my new design, that
portion of the golf club head shown in phantom is not part
of the design sought to be patented and is provided for
environmental purposes only.

FIG. 2 is a right side view of the golf club head with supports
of my new design illustrated in FIG. 1, wherein the left side
is a mirror image thereof and that portion of the golf club
head shown in phantom is not part of the design sought to
be patented and is provided for environmental purposes
only; and,

FIG. 3 is a bottom plan view of the golf club head with
supports of my new design illustrated in FIG. 1, that portion
of the golf club head shown in phantom is not part of the
design sought to be patented and is provided for environ-
mental purposes only.

1 Claim, 2 Drawing Sheets

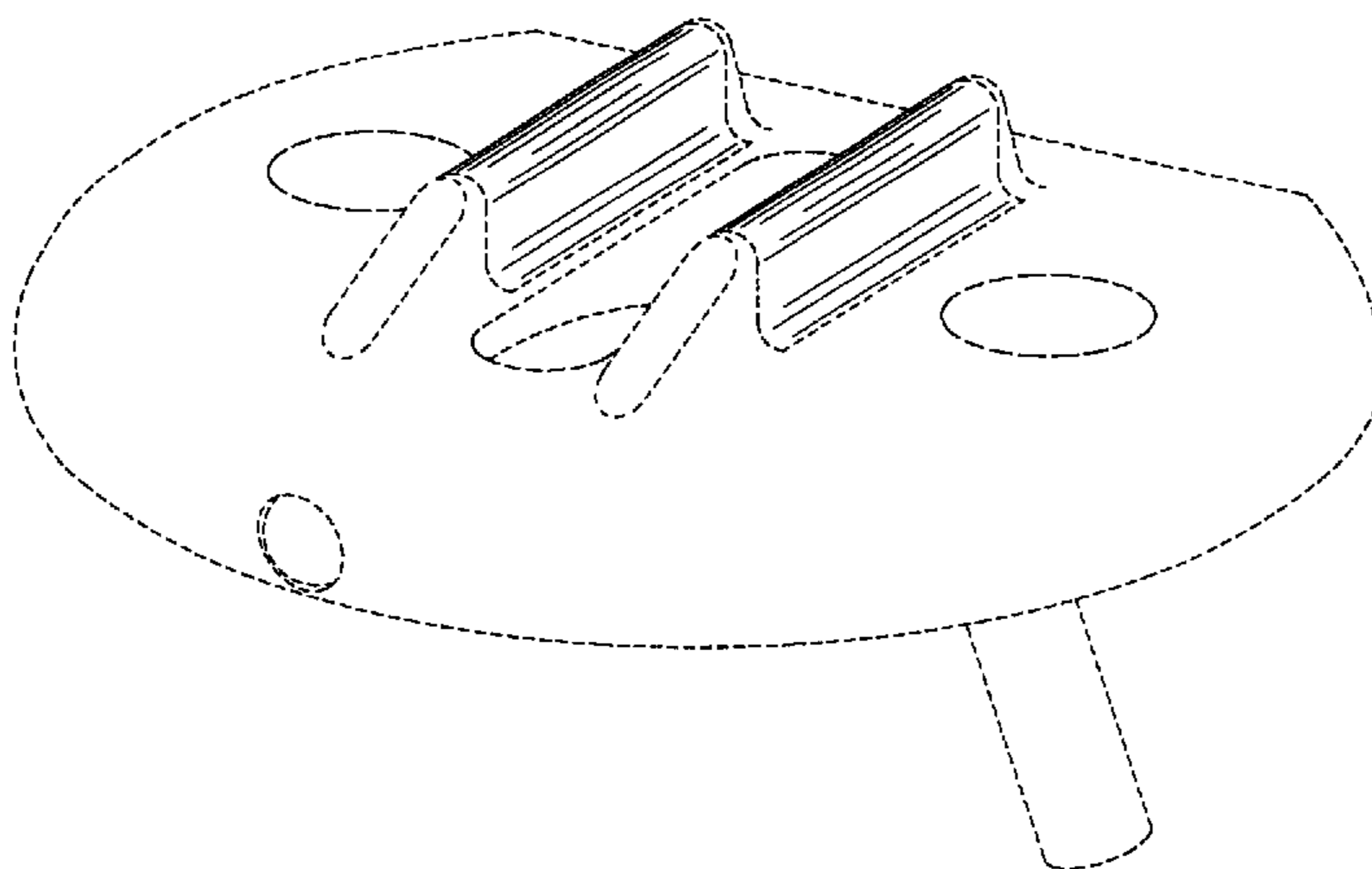


FIG.1

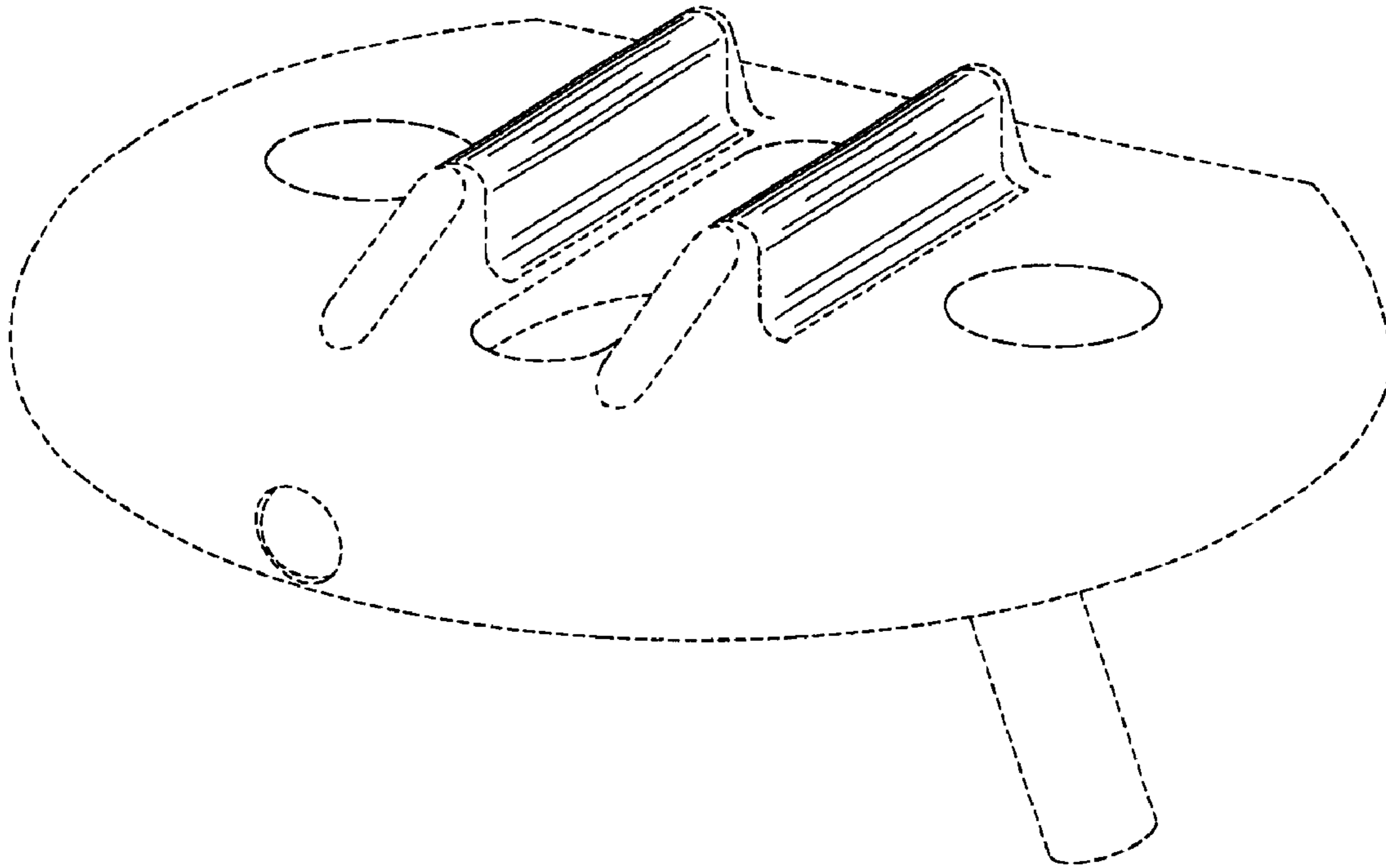


FIG.2

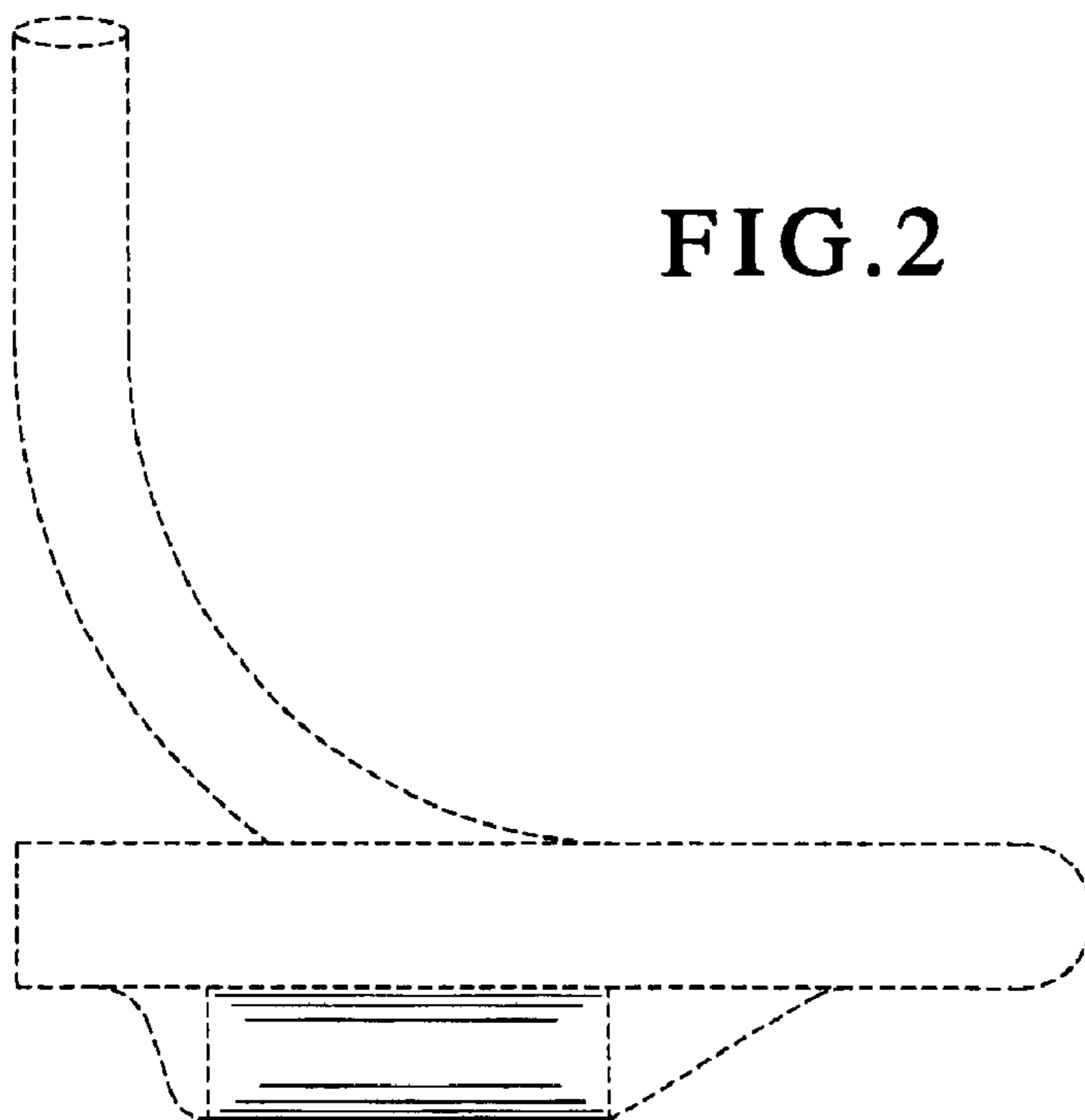


FIG. 3

