



US00D531244S

(12) **United States Design Patent**
Gilbert et al.

(10) **Patent No.:** **US D531,244 S**

(45) **Date of Patent:** **** Oct. 31, 2006**

(54) **RED SECTION OF A GOLF CLUB CAVITY**

(75) Inventors: **Peter J. Gilbert**, Carlsbad, CA (US);
John Kelley, San Francisco, CA (US);
Christopher R. Kays, San Marcos, CA
(US); **Bruce R. Pettibone**, Carlsbad,
CA (US)

(73) Assignee: **Acushnet Company**, Fairhaven, MA
(US)

(**) Term: **14 Years**

(21) Appl. No.: **29/240,673**

(22) Filed: **Oct. 17, 2005**

(51) **LOC (8) Cl.** **21-02**

(52) **U.S. Cl.** **D21/759**

(58) **Field of Classification Search** D21/747-751,
D21/759; 473/324-331, 350
See application file for complete search history.

(56) **References Cited**

U.S. PATENT DOCUMENTS

- D383,820 S * 9/1997 Watanabe D21/749
- D435,278 S * 12/2000 Reed et al. D21/747
- D466,576 S * 12/2002 Nagai et al. D21/759

- D490,490 S 5/2004 Gilbert et al.
- D490,871 S 6/2004 Gilbert et al.
- D511,360 S * 11/2005 Kawami D21/747
- D512,475 S * 12/2005 Madore D21/759
- D516,152 S * 2/2006 Madore D21/759
- D517,626 S * 3/2006 Gilbert et al. D21/747

* cited by examiner

Primary Examiner—Mitchell Siegel

(74) *Attorney, Agent, or Firm*—Troy R. Lester

(57) **CLAIM**

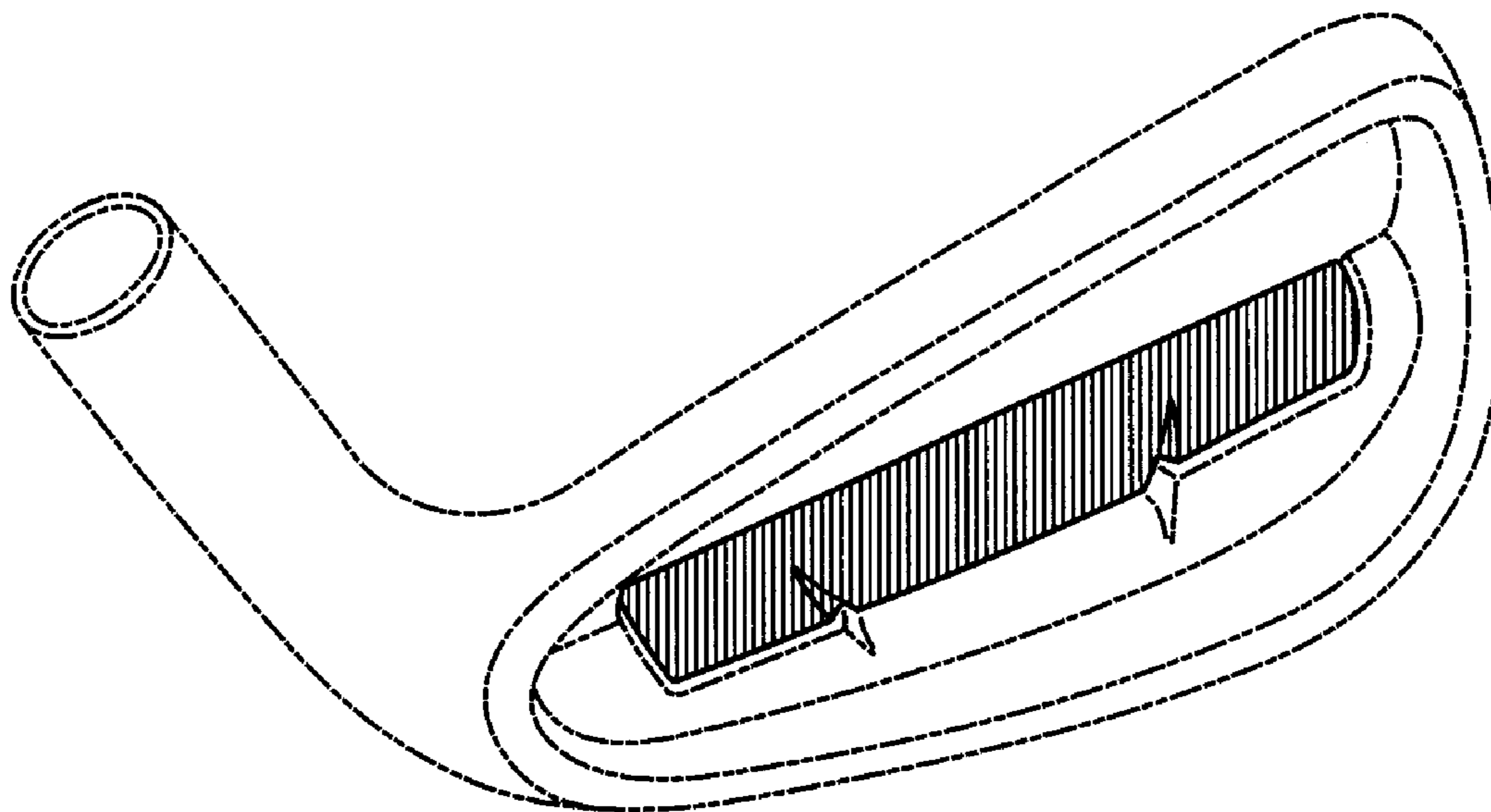
The ornamental design for a red section of a golf club cavity,
as shown and described.

DESCRIPTION

FIG. 1 is a heel side perspective view of our new red section
of a golf club cavity;
FIG. 2 is a toe side perspective view thereof;
FIG. 3 is a bottom perspective view thereof;
FIG. 4 is a back side view thereof; and,
FIG. 5 is a toe side view thereof.

The portion of the golf club shown in phantom does not form
any portion of the present invention. The section includes
vertical hatching to designate red.

1 Claim, 2 Drawing Sheets



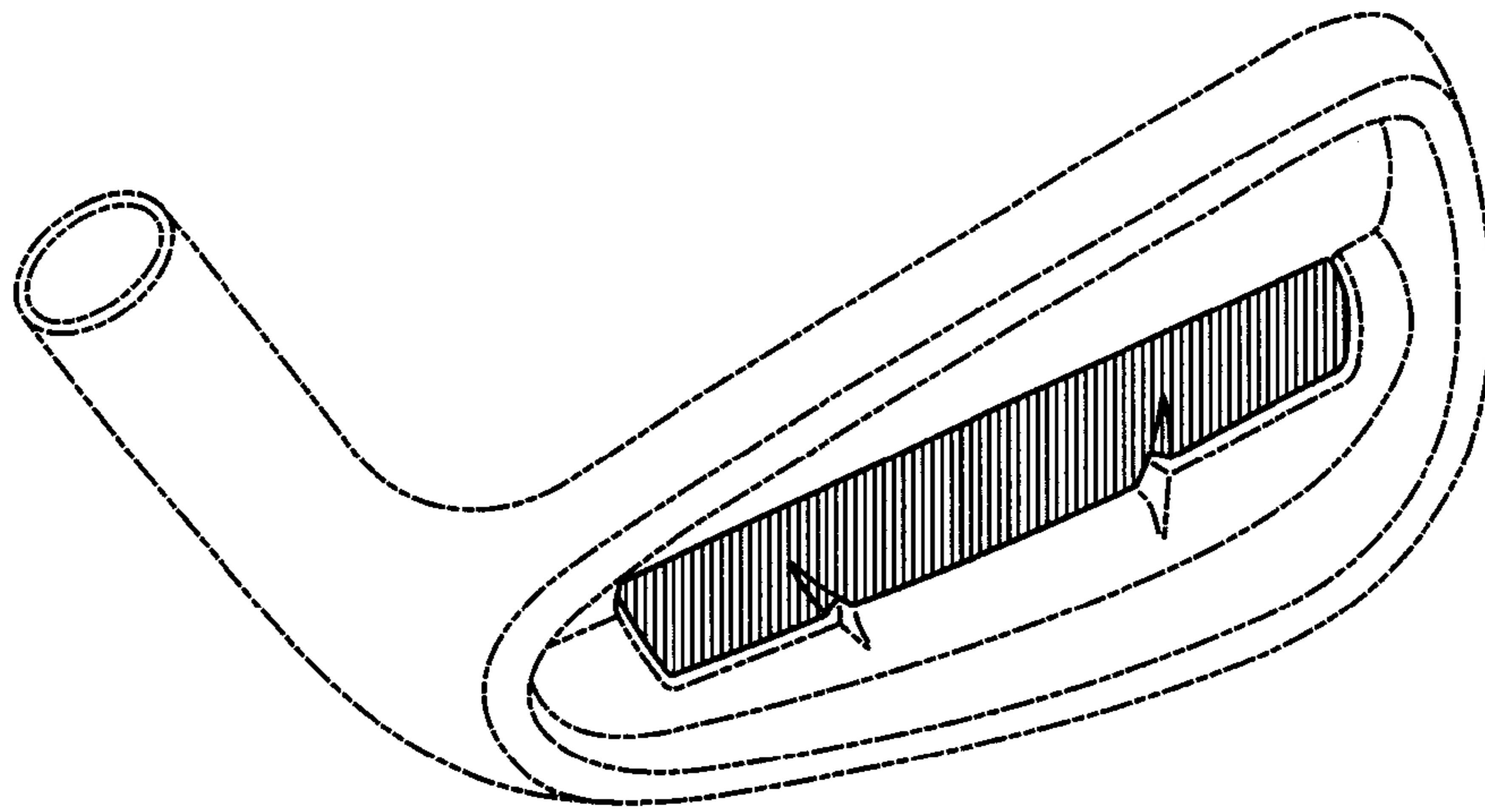


FIG. 1

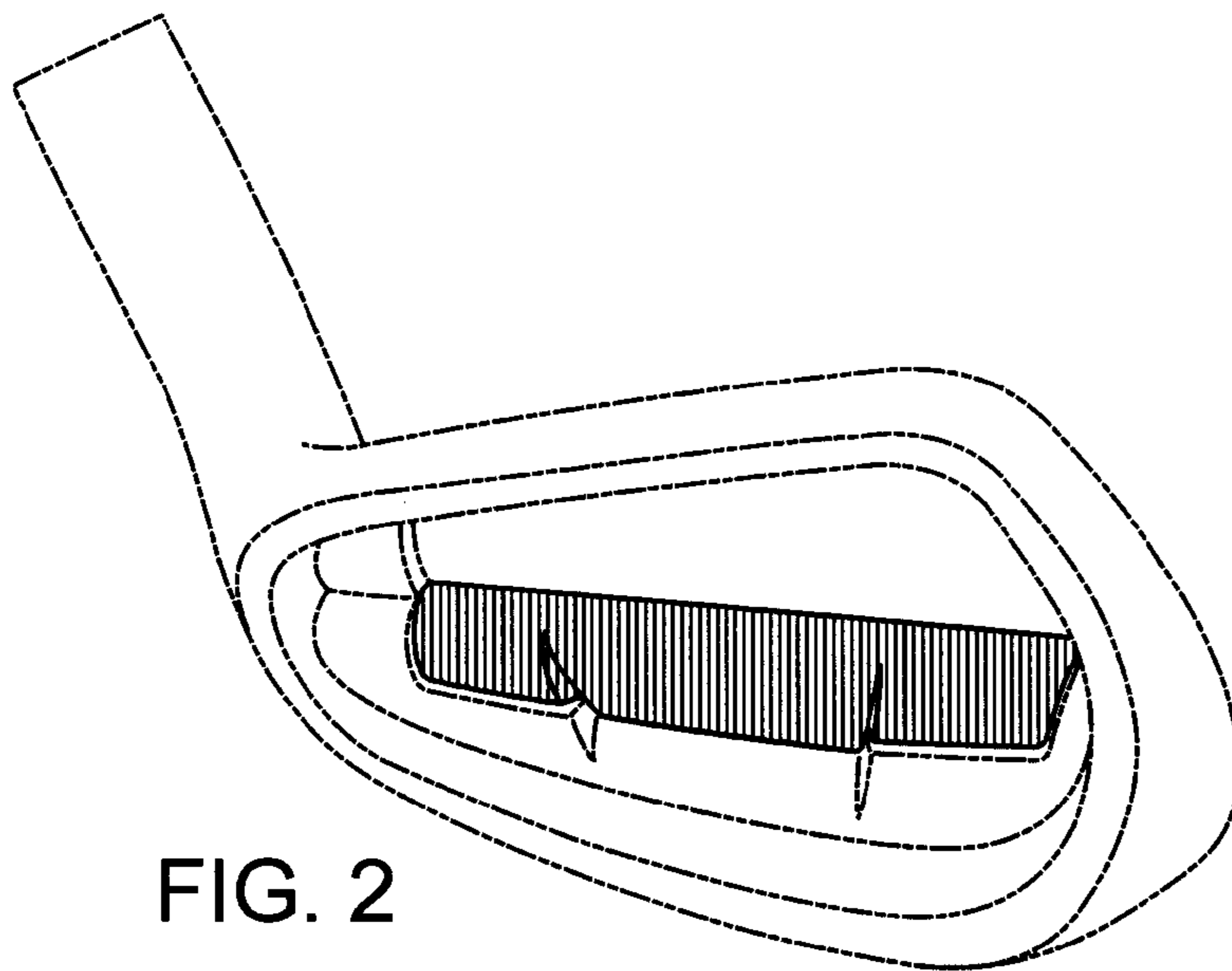


FIG. 2

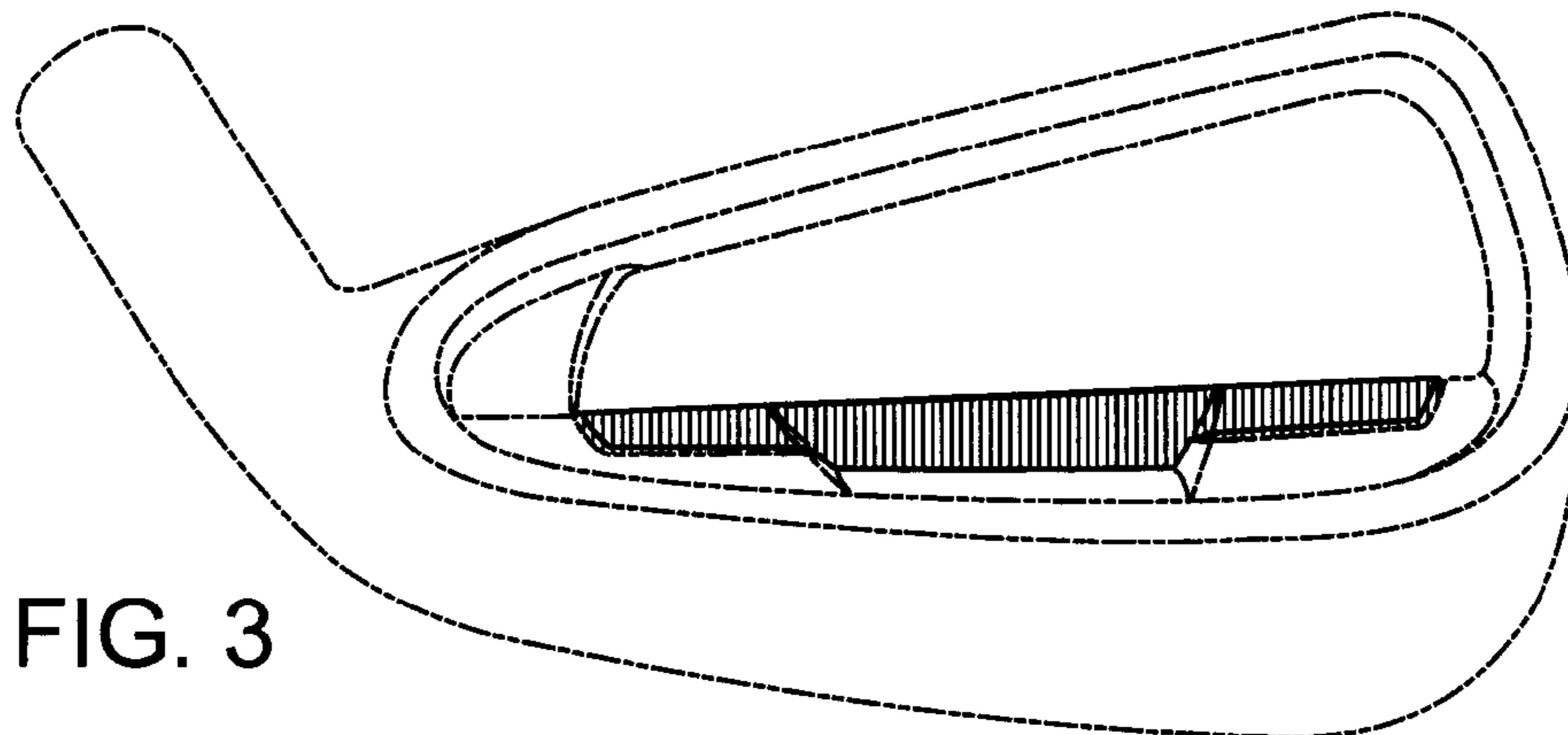


FIG. 3

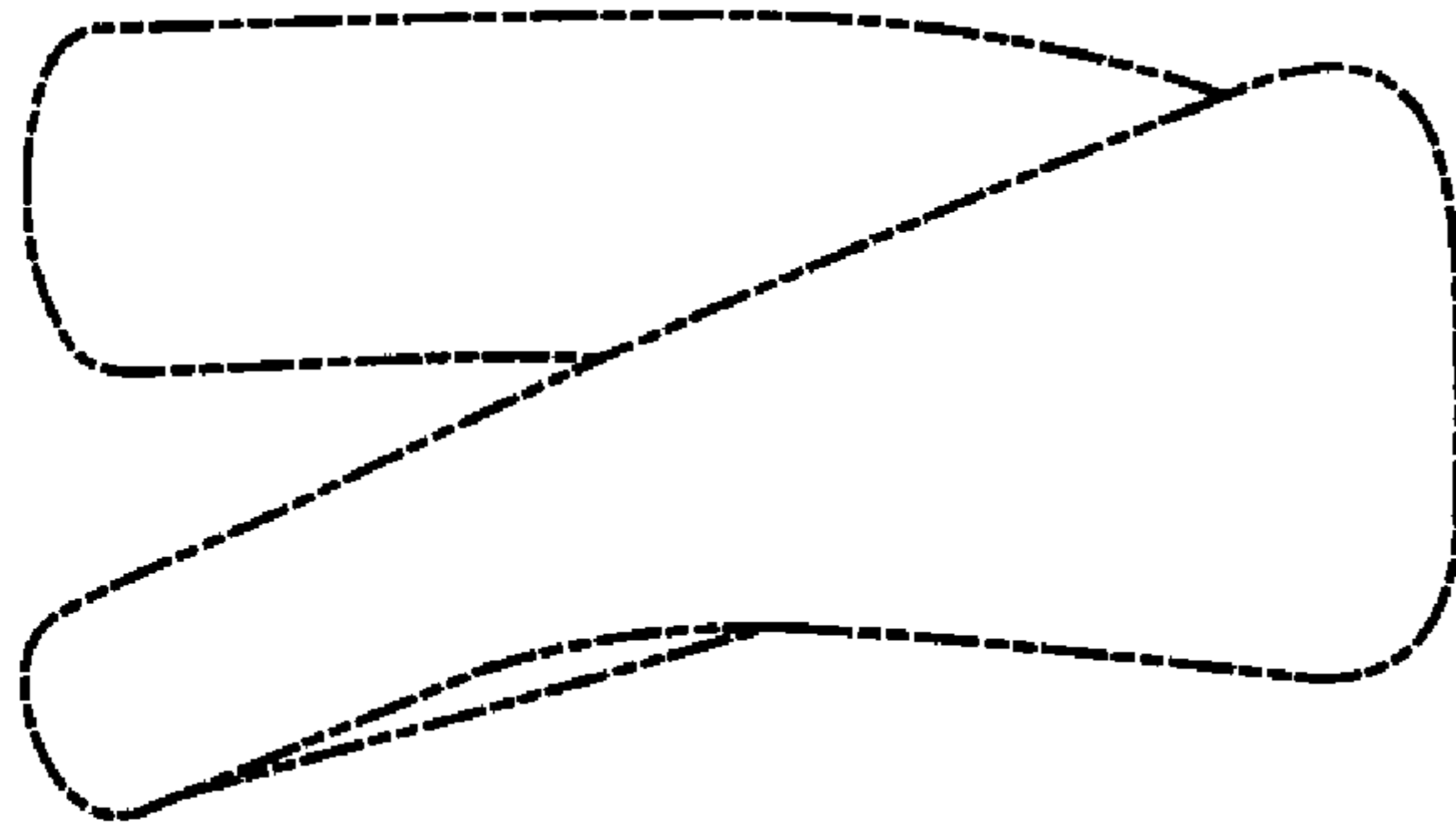


FIG. 5

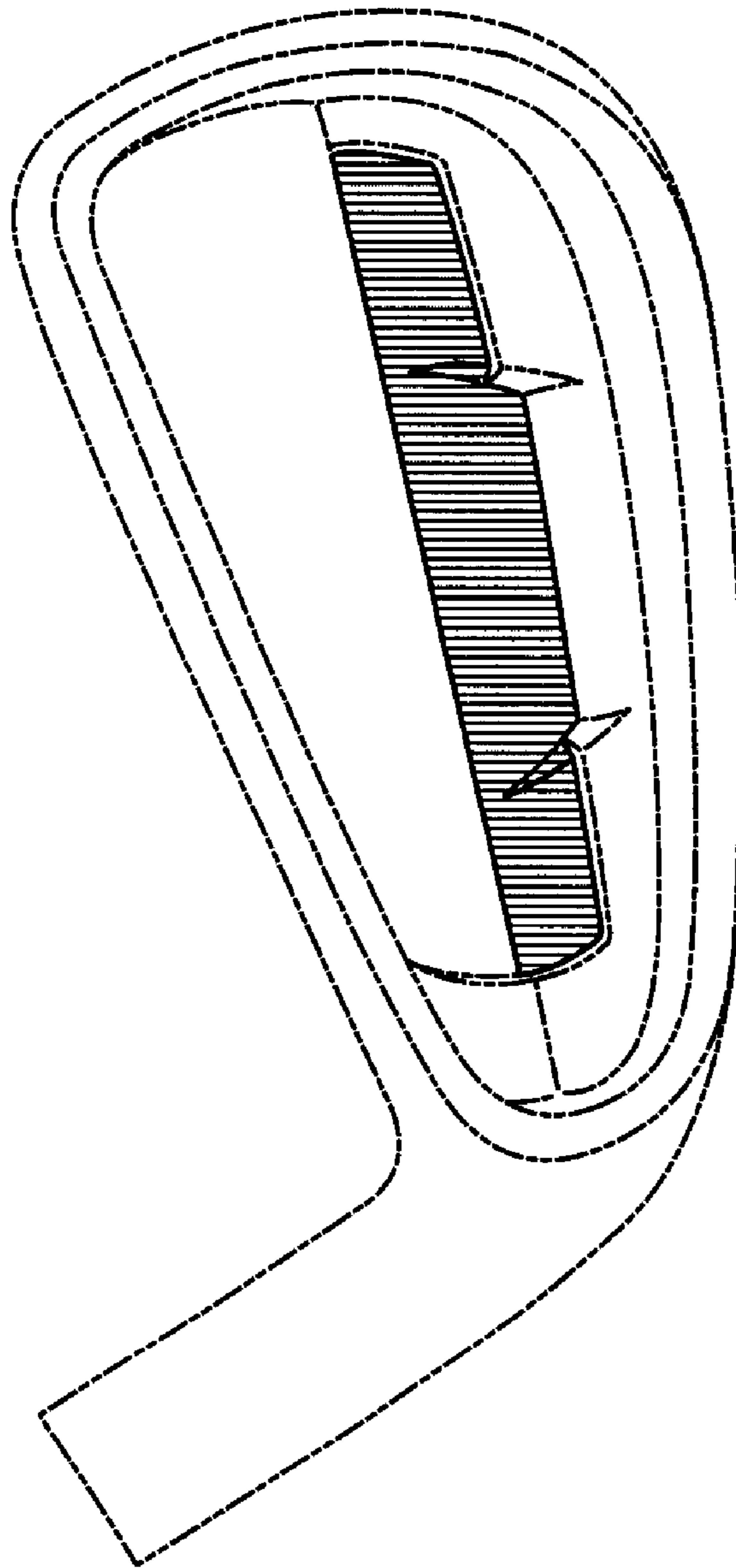


FIG. 4