



US00D531242S

(12) **United States Design Patent**
Adams

(10) **Patent No.:** **US D531,242 S**

(45) **Date of Patent:** **** Oct. 31, 2006**

(54) **GOLF PUTTER HEAD**

(75) **Inventor:** **Mark Wayne Adams**, Miamisburg, OH
(US)

(73) **Assignee:** **Huffy Sports Delaware, Inc.**,
Miamisburg, OH (US)

(**) **Term:** **14 Years**

(21) **Appl. No.:** **29/238,272**

(22) **Filed:** **Sep. 14, 2005**

(51) **LOC (8) Cl.** **21-02**

(52) **U.S. Cl.** **D21/746**

(58) **Field of Classification Search** D21/736-746;
473/324-331, 251-256, 340, 341
See application file for complete search history.

(56) **References Cited**

U.S. PATENT DOCUMENTS

D230,869 S	*	3/1974	Winter	D21/745
D233,454 S	*	10/1974	Winter	D21/746
D399,274 S	*	10/1998	Bradford	D21/736
D456,472 S	*	4/2002	Yerelian	D21/736
D486,541 S	*	2/2004	Bettinardi	D21/738

D494,237 S	*	8/2004	Ware	D21/736
D509,867 S	*	9/2005	Perry	D21/743
D515,646 S	*	2/2006	Perry	D21/742

* cited by examiner

Primary Examiner—Mitchell Siegel

(74) *Attorney, Agent, or Firm*—Michael J. Bell; Howrey LLP

(57) **CLAIM**

The ornamental design for a golf putter head, as shown and described.

DESCRIPTION

FIG. 1 is a perspective view of a golf putter head embodying my design;

FIG. 2 is a left side elevational view thereof;

FIG. 3 is a right side elevational view thereof;

FIG. 4 is a top view thereof;

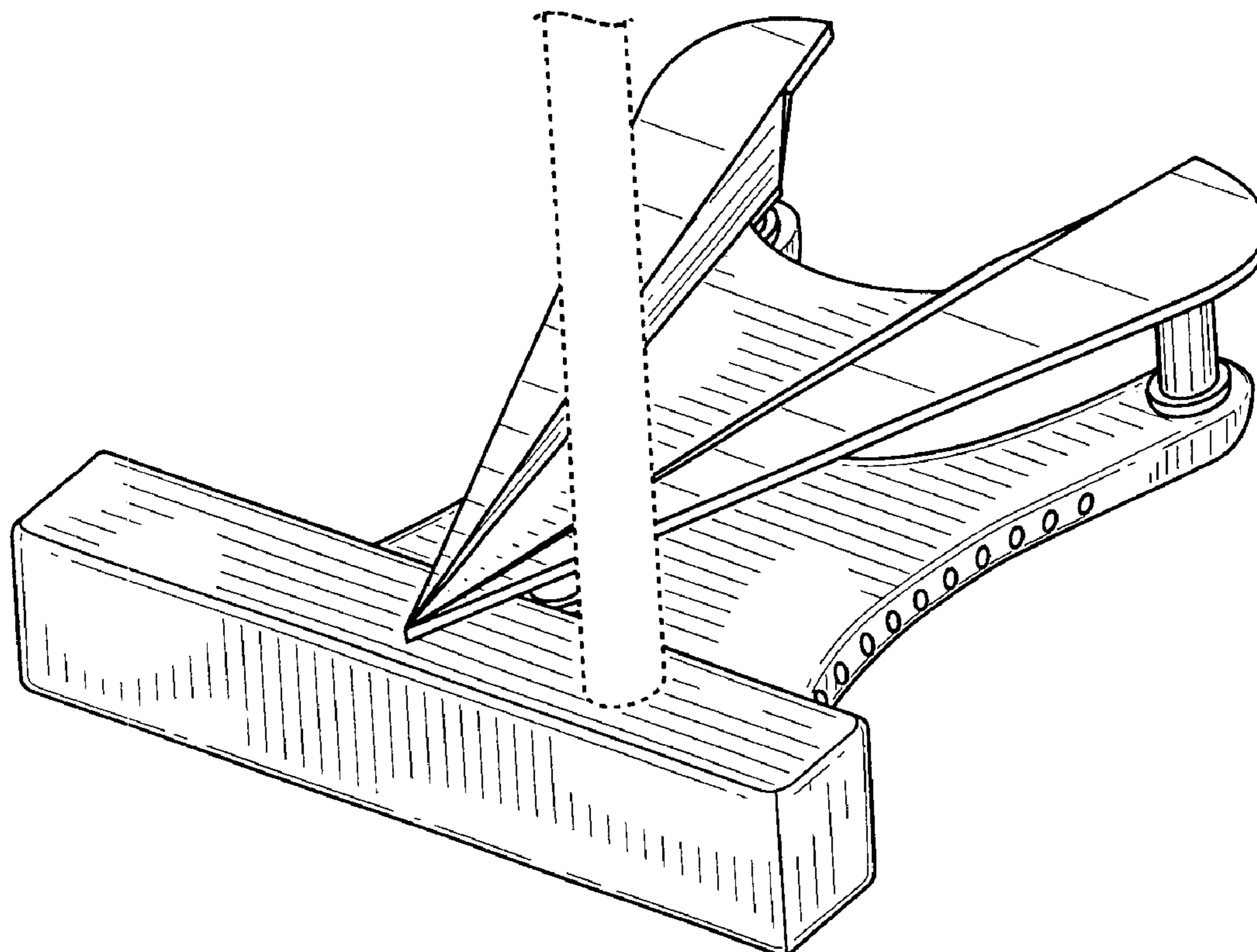
FIG. 5 is a bottom view thereof;

FIG. 6 is a front elevational view thereof; and,

FIG. 7 is a rear elevational view thereof.

The broken lines shown in the Figures are for illustrative purposes only and form no part of the claimed design.

1 Claim, 4 Drawing Sheets



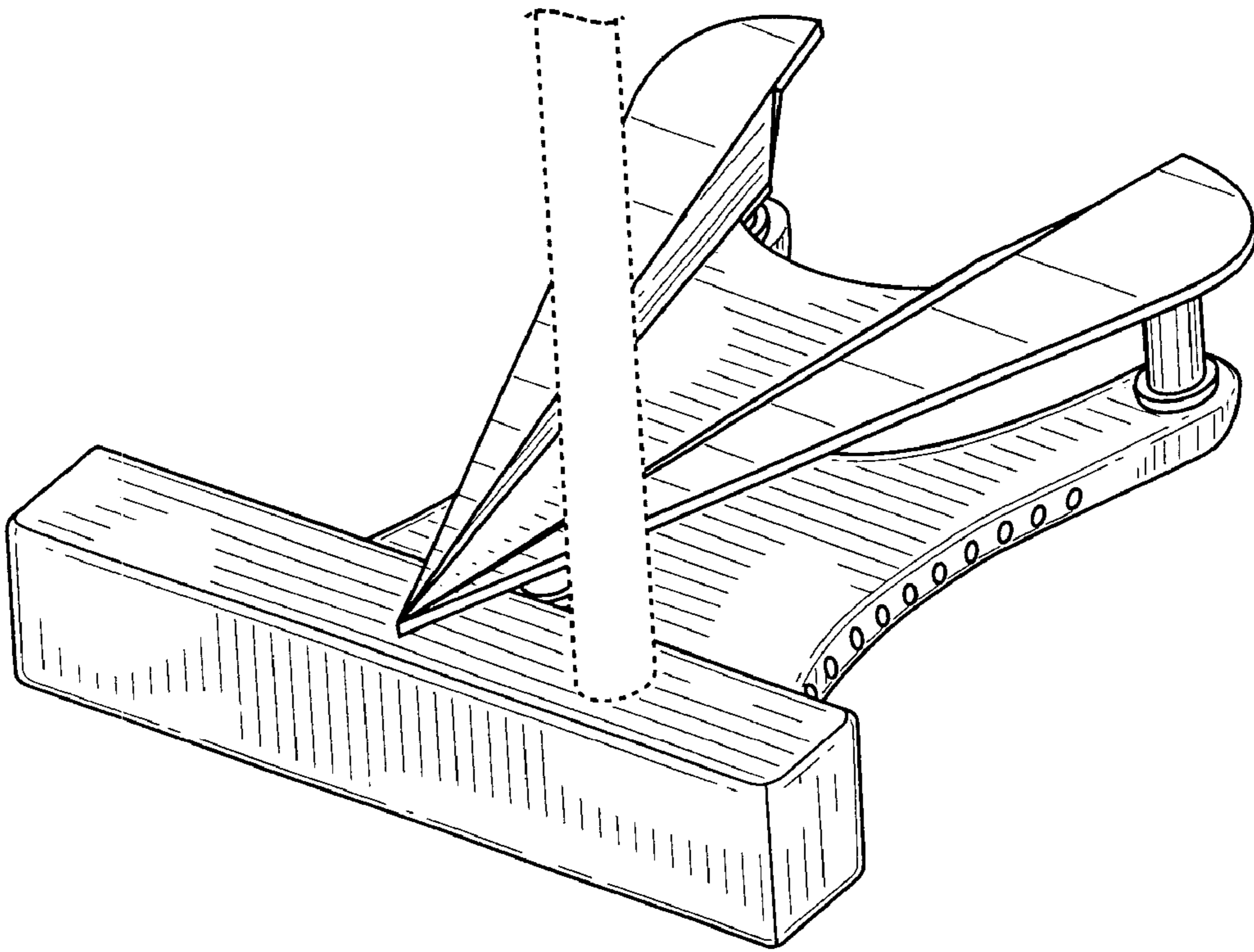


FIG. 1

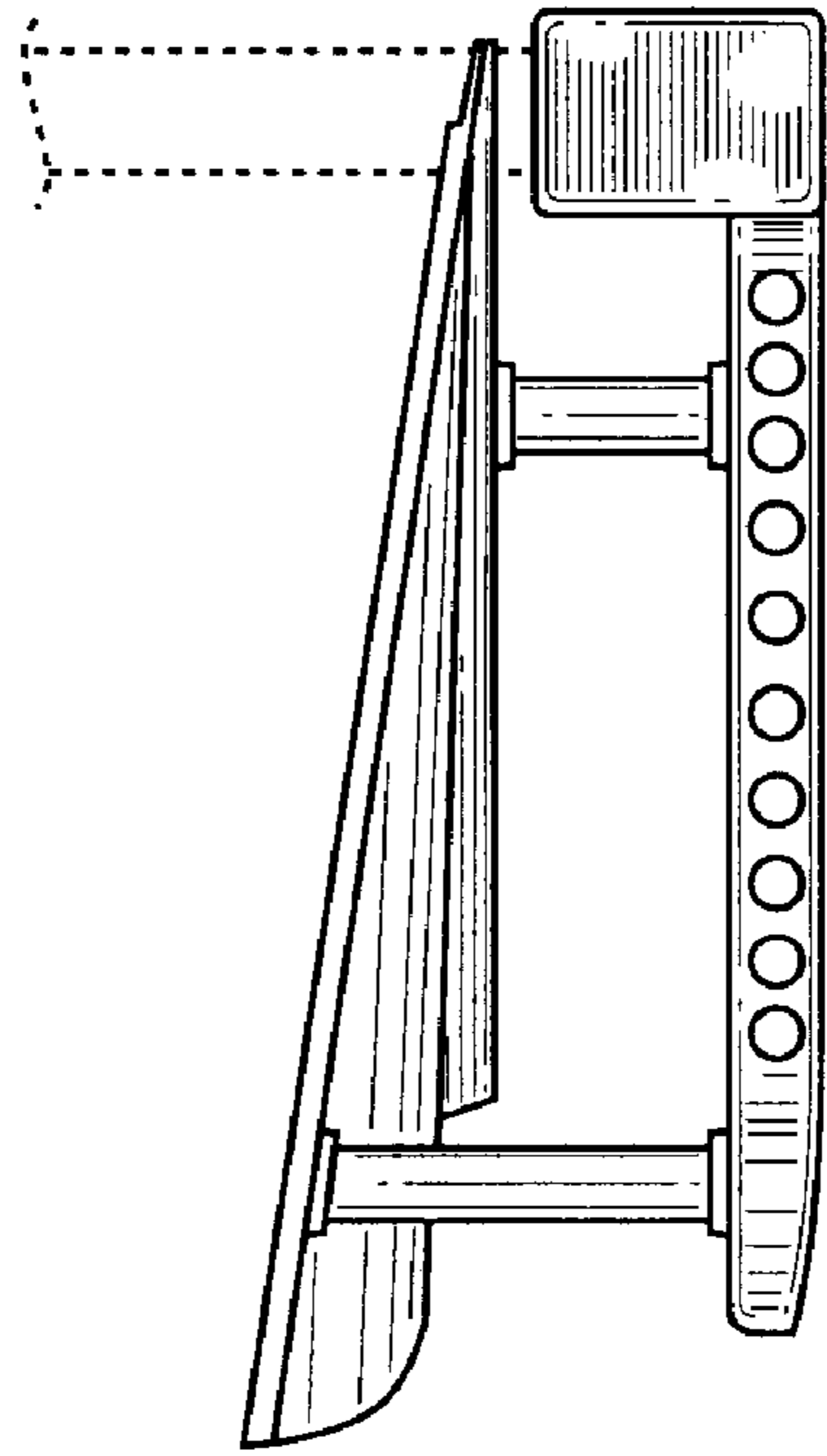


FIG. 2

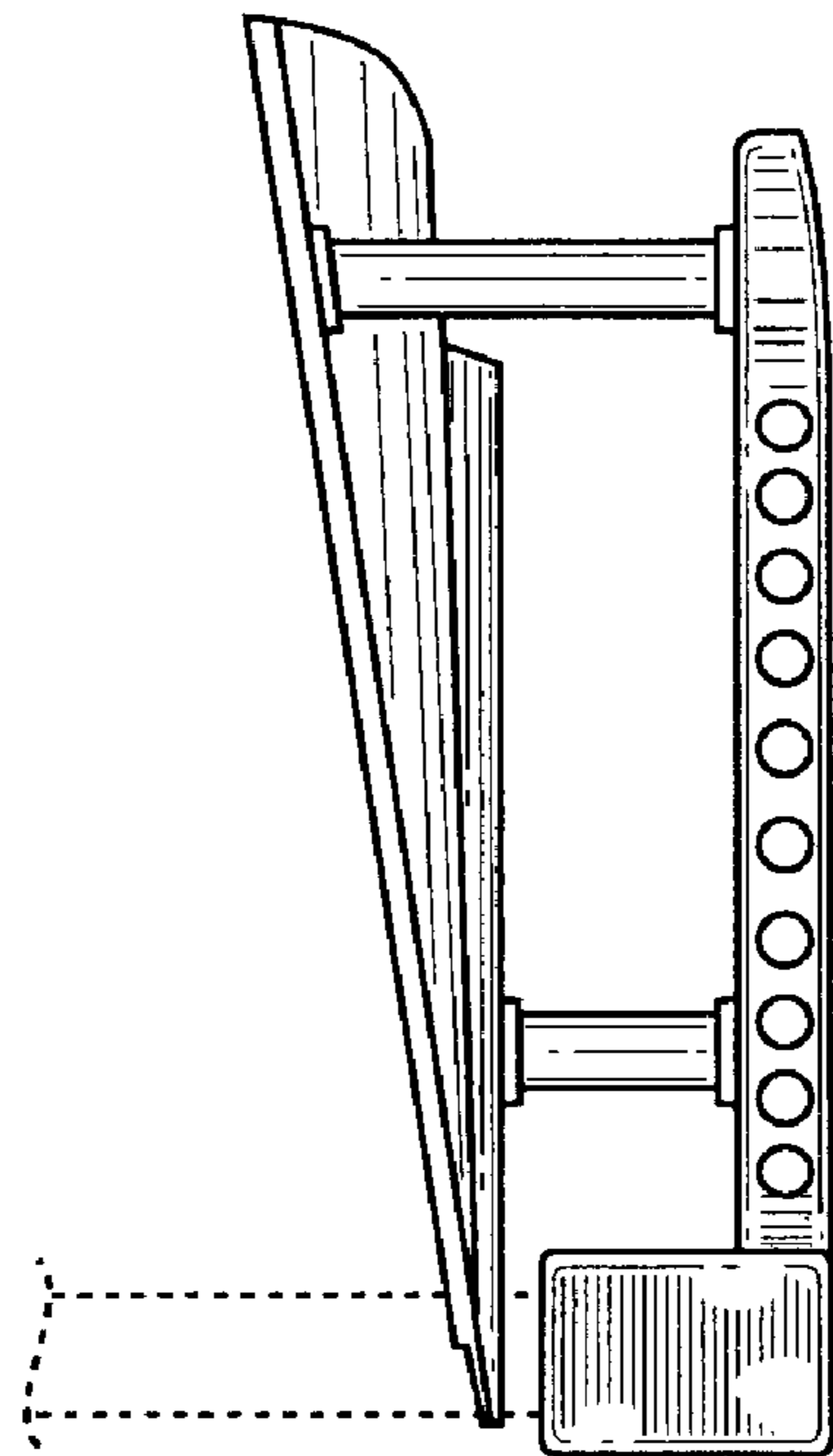


FIG. 3

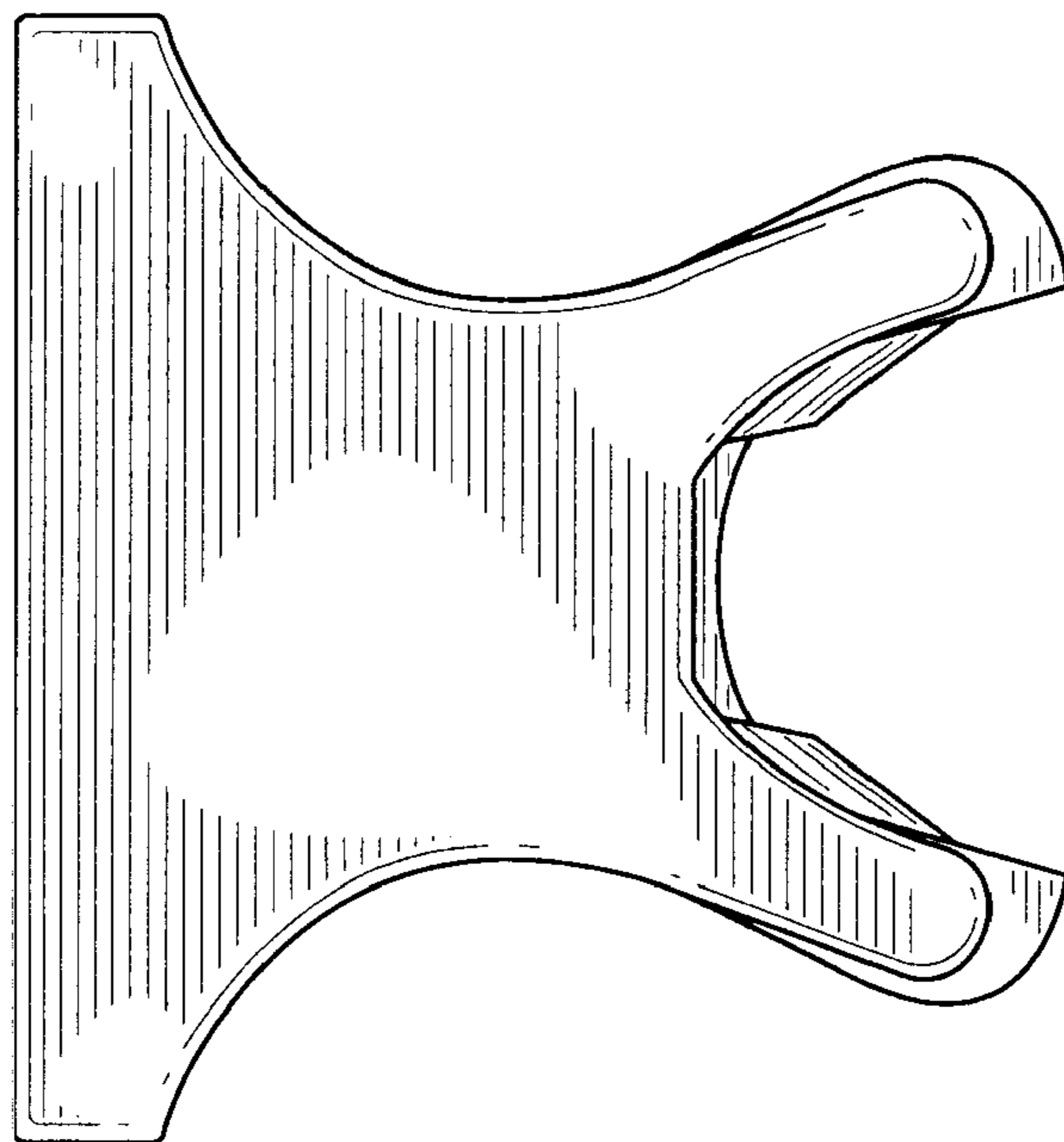


FIG. 5

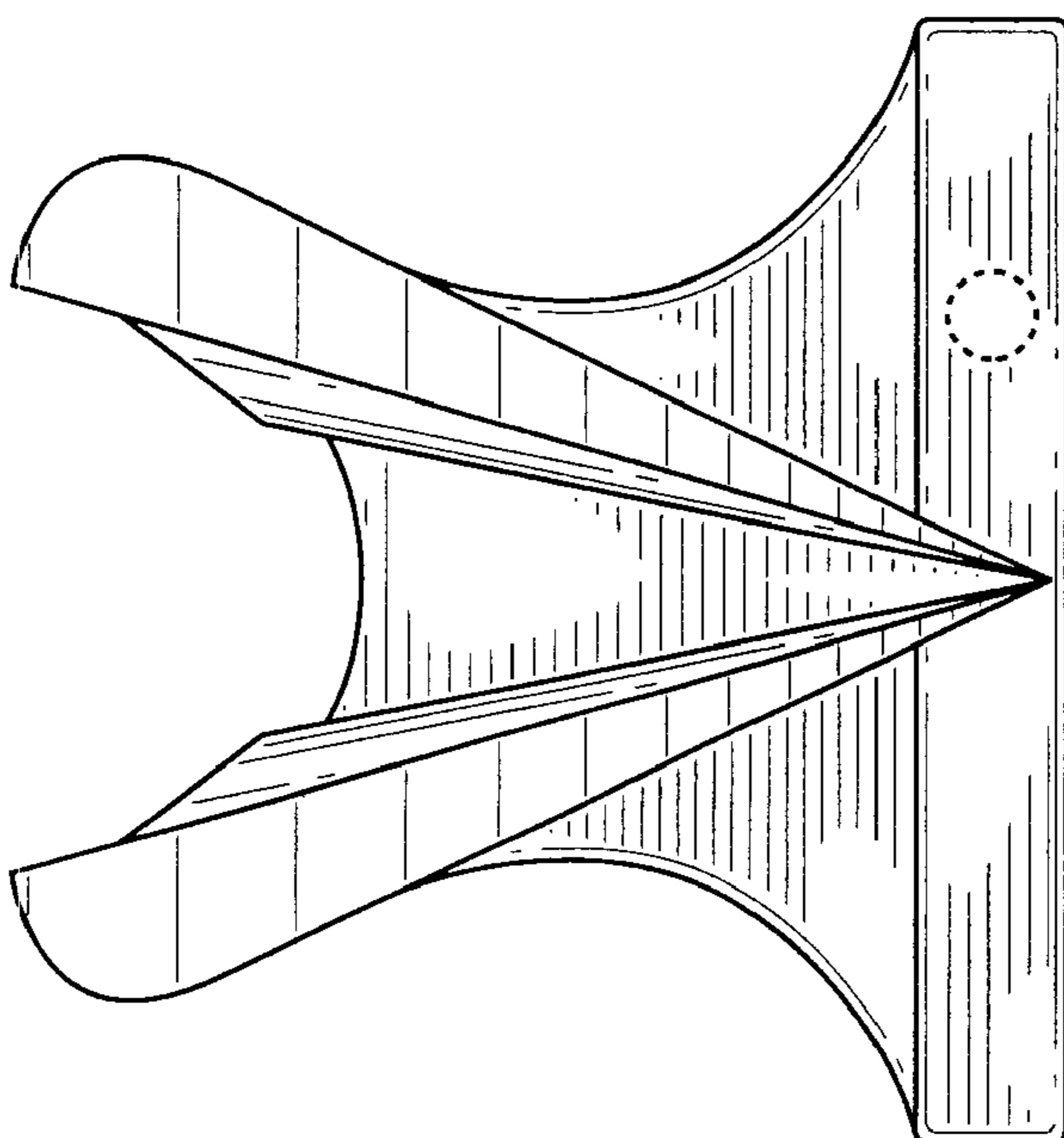


FIG. 4

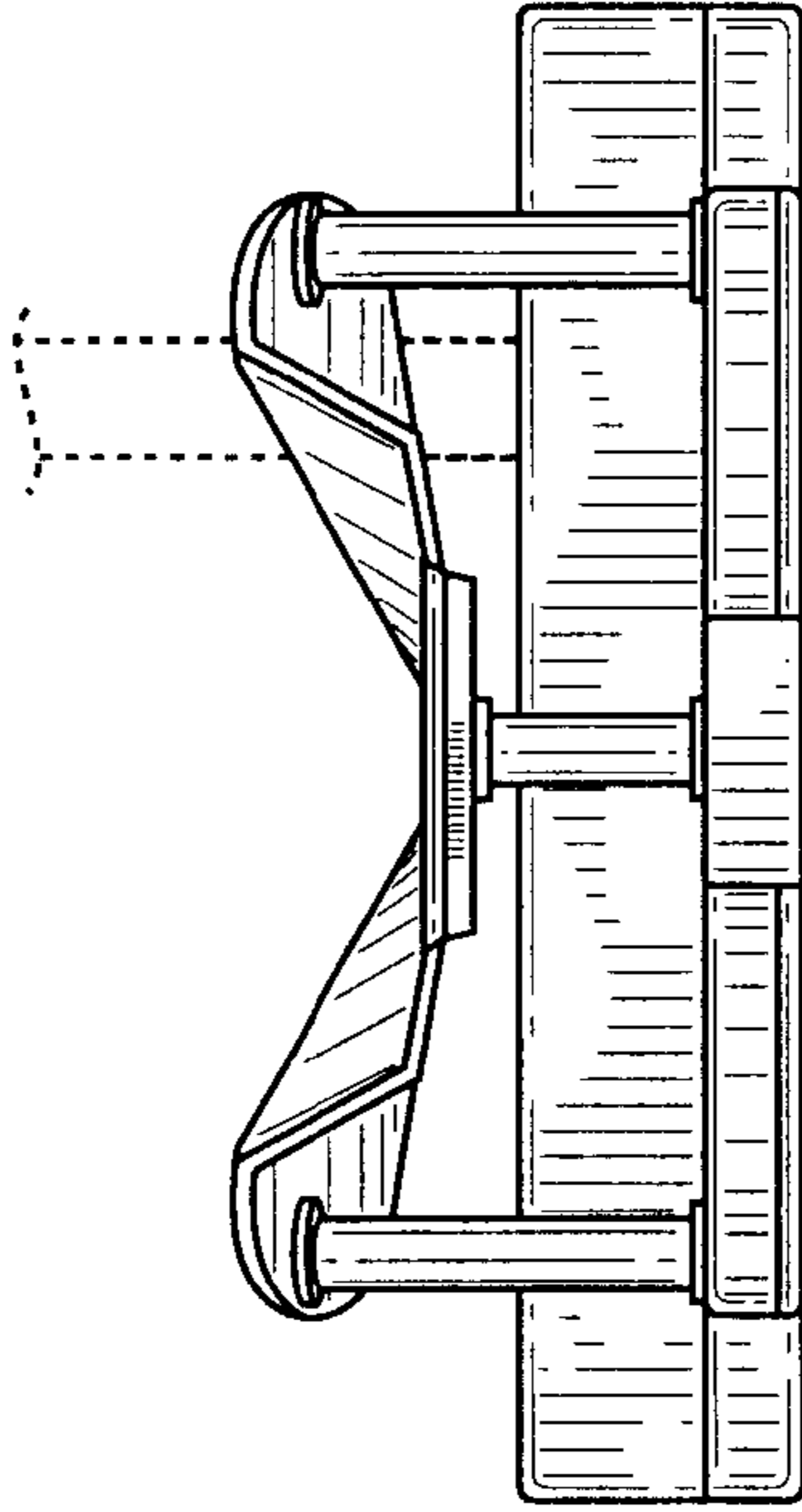


FIG. 6

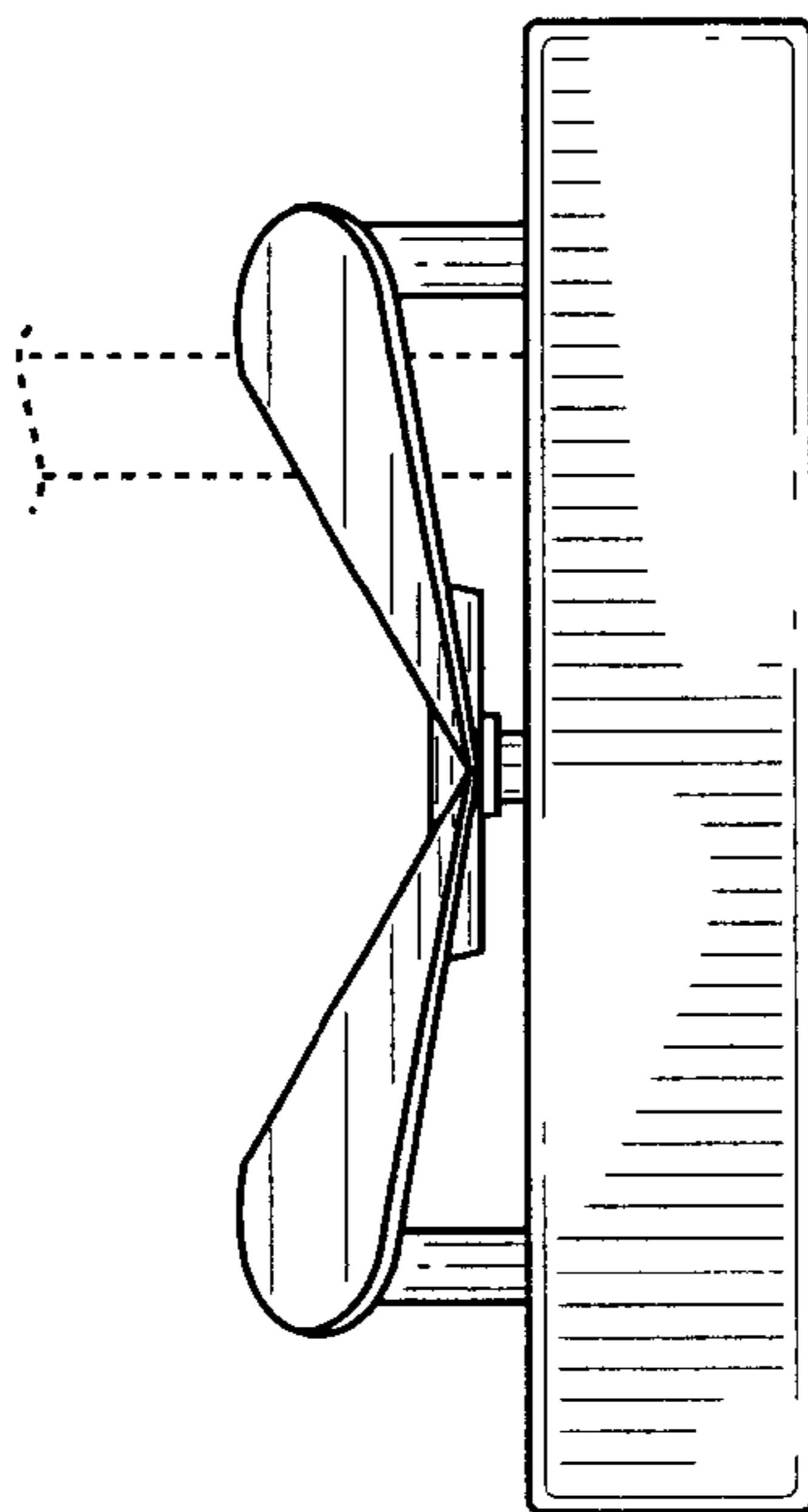


FIG. 7