



US00D531237S

(12) **United States Design Patent**  
**Giger et al.**

(10) **Patent No.:** **US D531,237 S**

(45) **Date of Patent:** **\*\* Oct. 31, 2006**

(54) **PHYSICAL EXERCISER**

(76) Inventors: **Urs Giger**, Tugginerweg 3, CH-4503, Solothurn (CH); **Sonja Giger**, Tugginerweg 3, CH-4503, Solothurn (CH); **Adrian Giger**, Erlenweg 19, CH-4514, Lommiswil (CH); **Thomas Giger**, Bellacherstrasse 5, CH-4513, Langendorf (CH); **Martin Giger**, Ob. Steingrubenstrasse 2, CH-4500, Solothurn (CH)

(\*\*) Term: **14 Years**

(21) Appl. No.: **29/235,094**

(22) Filed: **Jul. 28, 2005**

(30) **Foreign Application Priority Data**

Jan. 28, 2005 (WO) ..... DM/066 322

(51) **LOC (8) Cl.** ..... **21-02**

(52) **U.S. Cl.** ..... **D21/666**

(58) **Field of Classification Search** ..... D21/662,  
D21/665, 666, 673, 686, 690; 601/36; 482/62,  
482/51, 133, 138, 139, 142, 1  
See application file for complete search history.

(56) **References Cited**

**U.S. PATENT DOCUMENTS**

4,402,502 A \* 9/1983 Peters ..... 601/36

D279,918 S \* 7/1985 Stumbaugh et al. .... D21/665  
4,538,804 A \* 9/1985 Zibell ..... 482/57  
D298,845 S \* 12/1988 Giger ..... D21/665  
4,974,840 A \* 12/1990 Welch ..... 482/133  
D365,860 S \* 1/1996 Giger ..... D21/690  
D410,712 S \* 6/1999 Giger et al. .... D21/665  
6,592,502 B1 \* 7/2003 Phillips ..... 482/143

\* cited by examiner

*Primary Examiner*—Philip S. Hyder  
(74) *Attorney, Agent, or Firm*—Griffin & Szipl, P.C.

(57) **CLAIM**

The ornamental design for physical exerciser, as shown and described.

**DESCRIPTION**

FIG. 1 is a perspective view of the physical exerciser of the present invention.

FIG. 2 is a front view of the physical exerciser;

FIG. 3 is a rear view thereof;

FIG. 4 is a left side elevational view thereof;

FIG. 5 is a top plan view thereof;

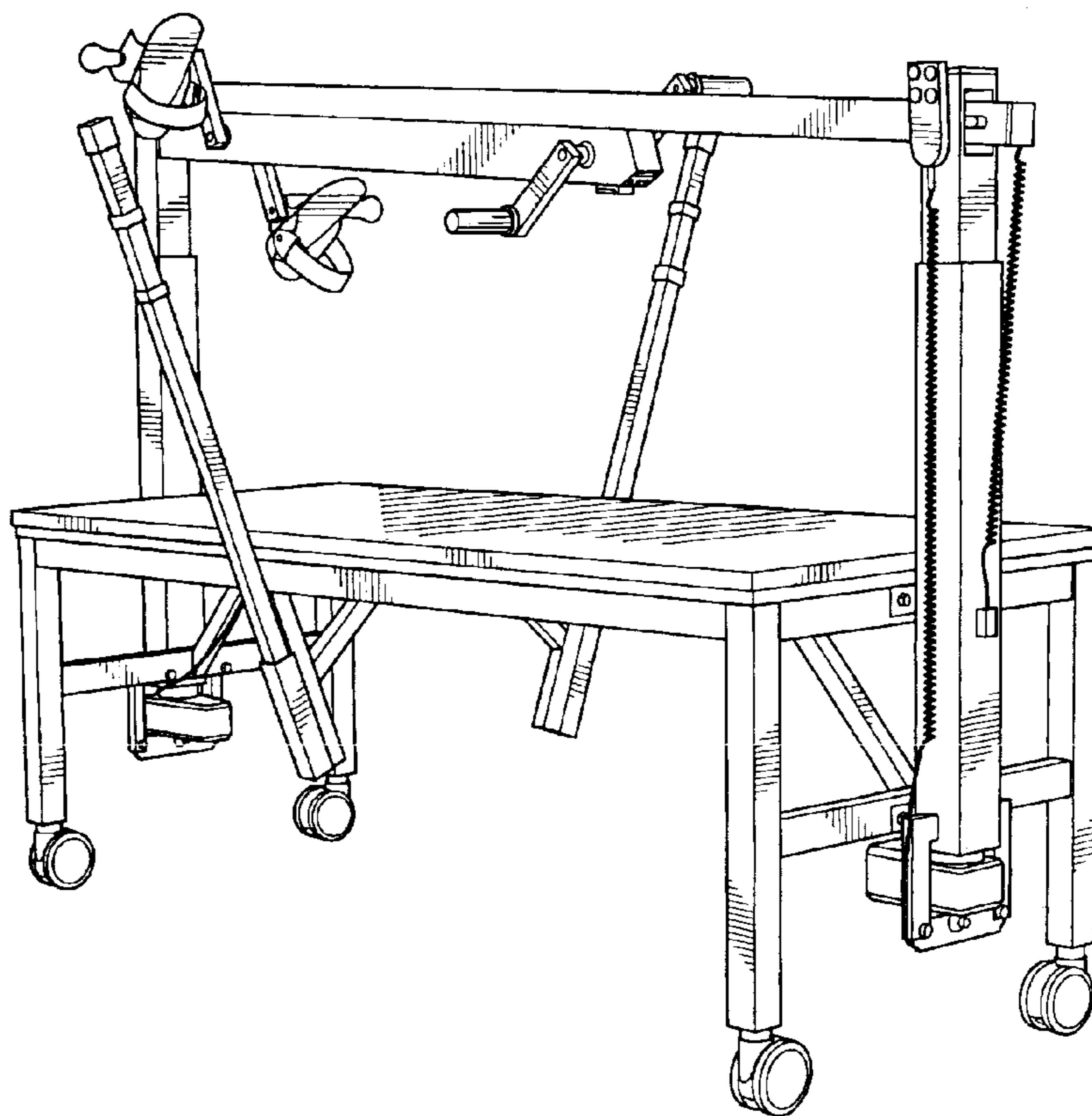
FIG. 6 is a perspective view thereof;

FIG. 7 is a front elevational view thereof; and,

FIG. 8 is a partial top perspective view thereof.

The broken lines showing a person and straps in FIGS. 6, 7, and 8 are for illustrative purposes only and form no part of the claimed design.

**1 Claim, 8 Drawing Sheets**



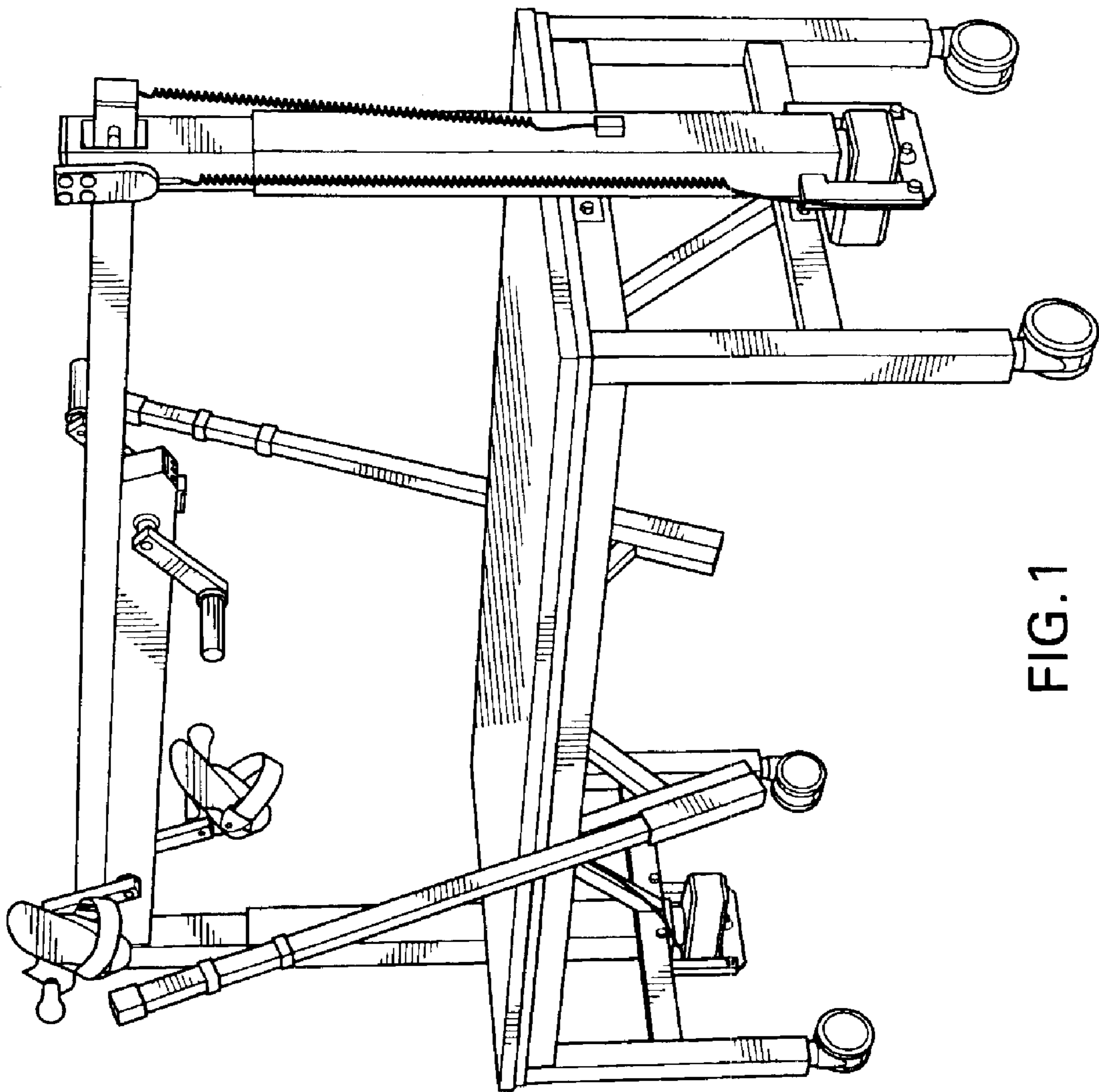


FIG. 1

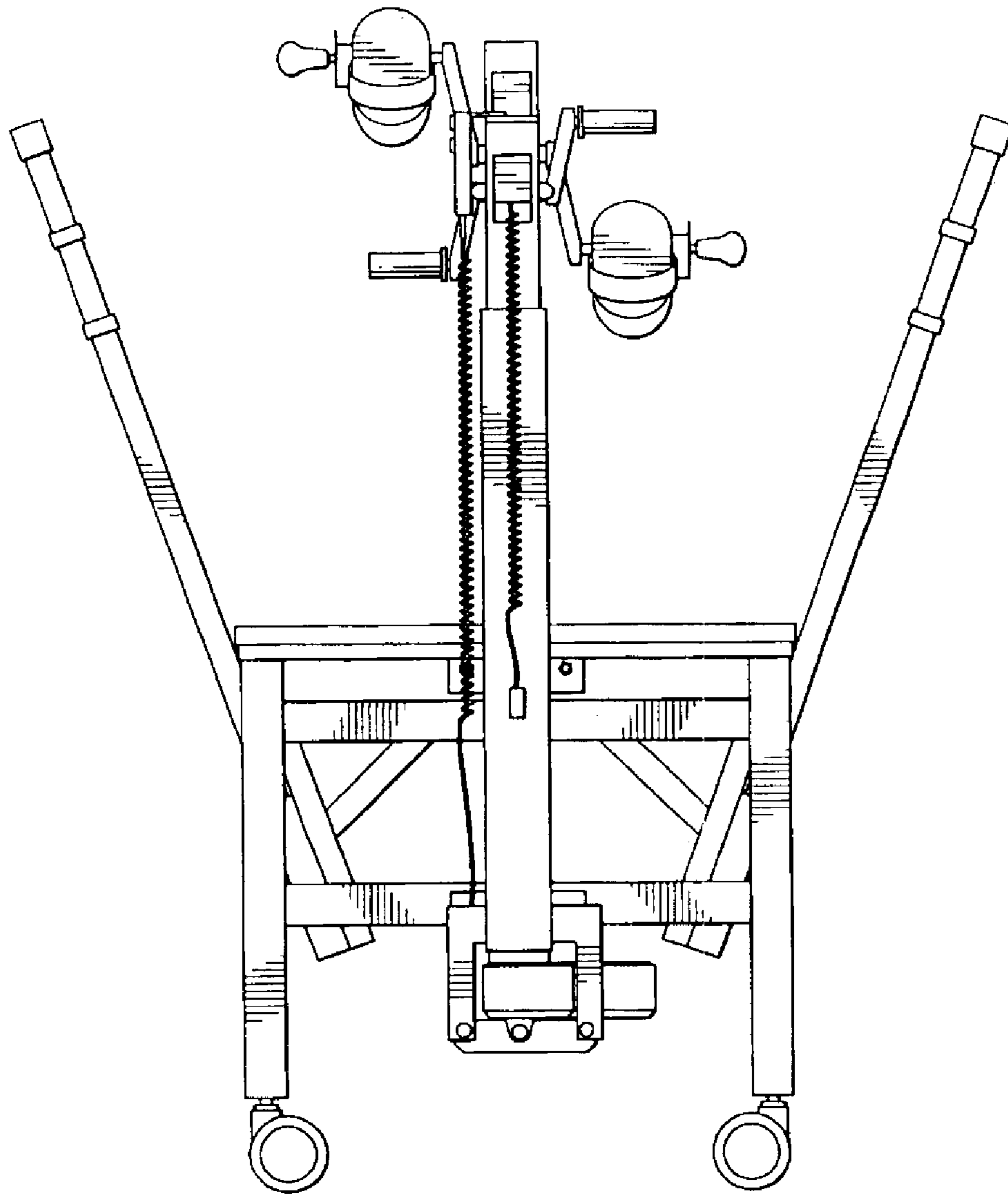


FIG. 2

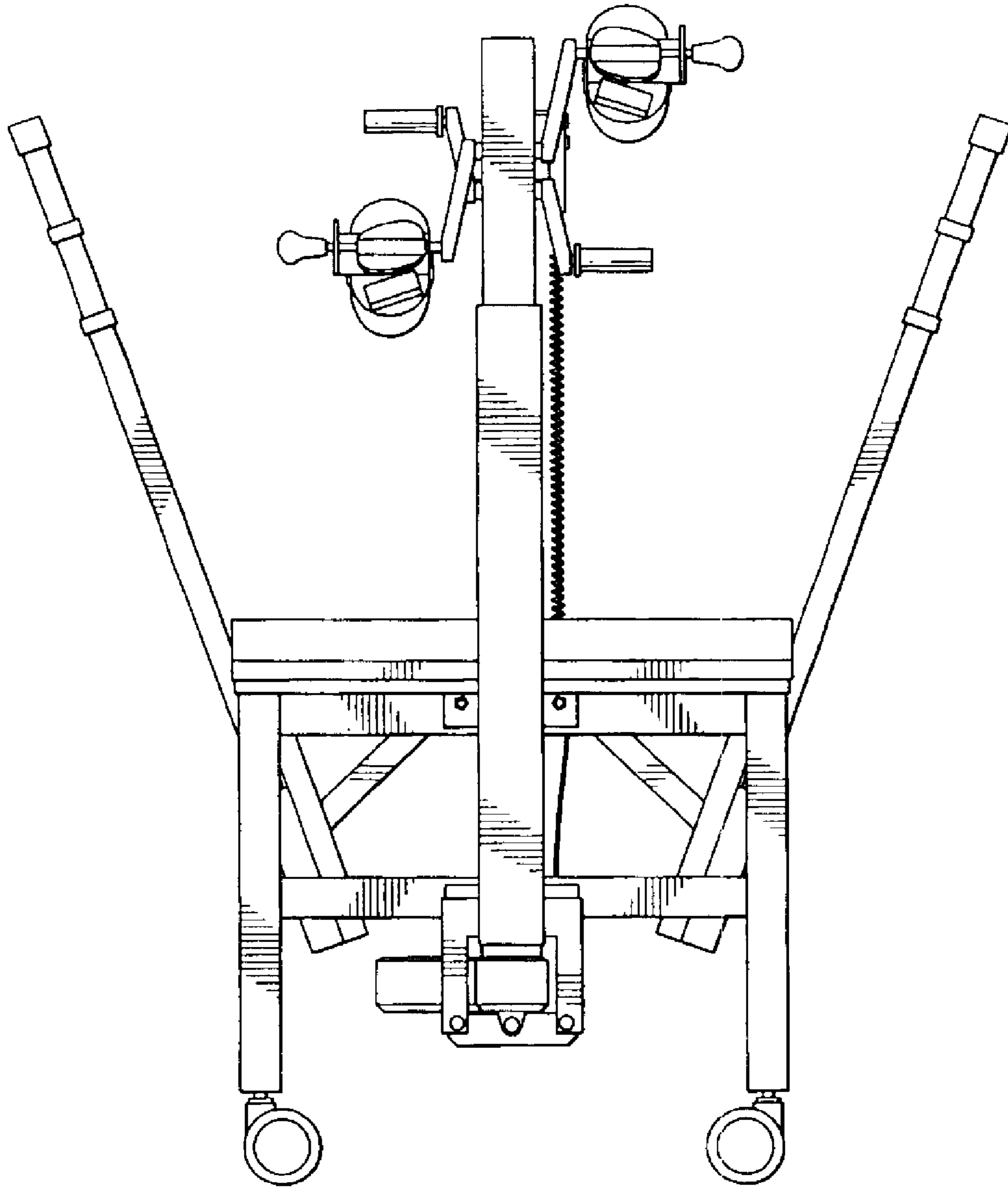


FIG. 3

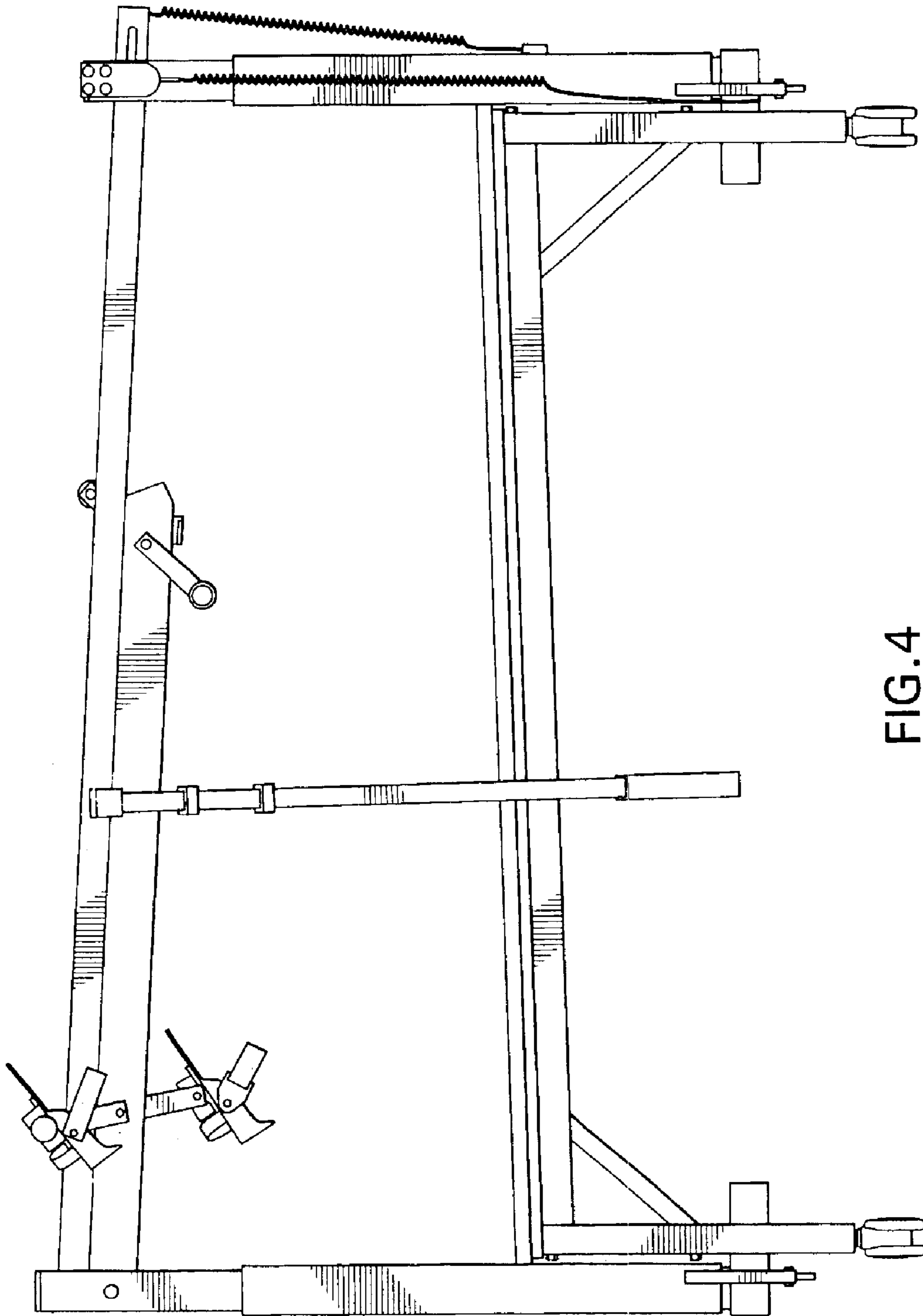


FIG. 4

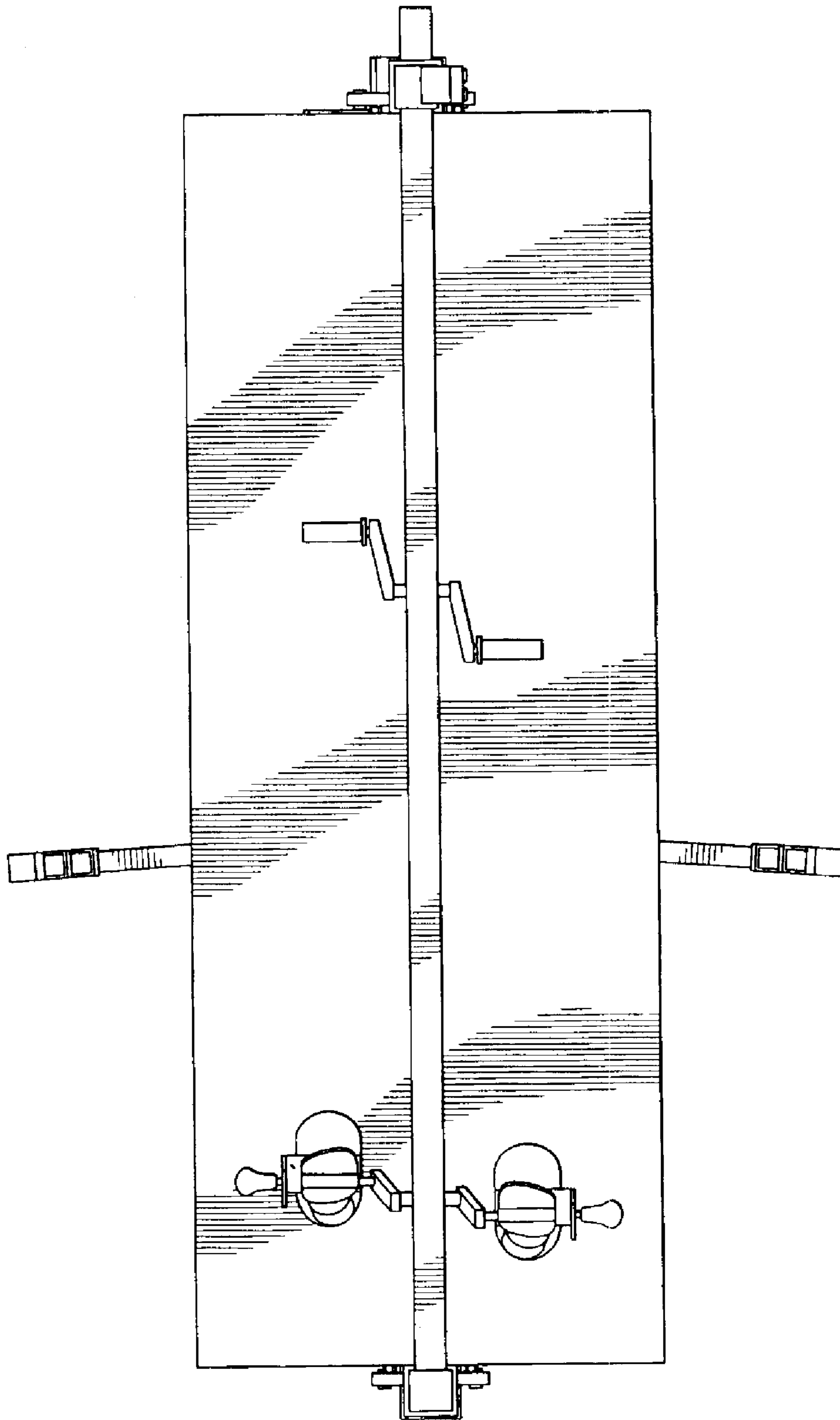


FIG. 5



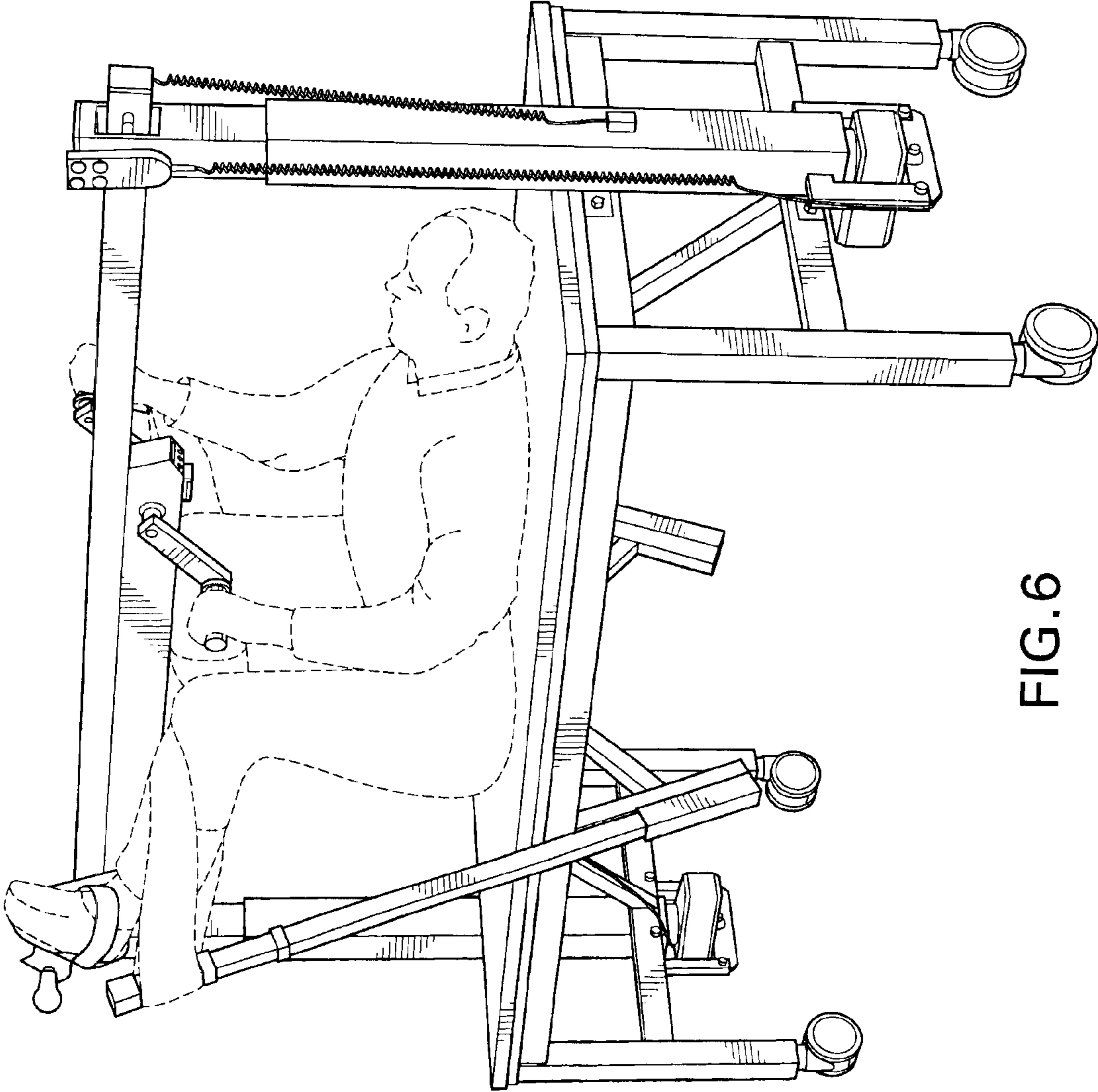


FIG. 6

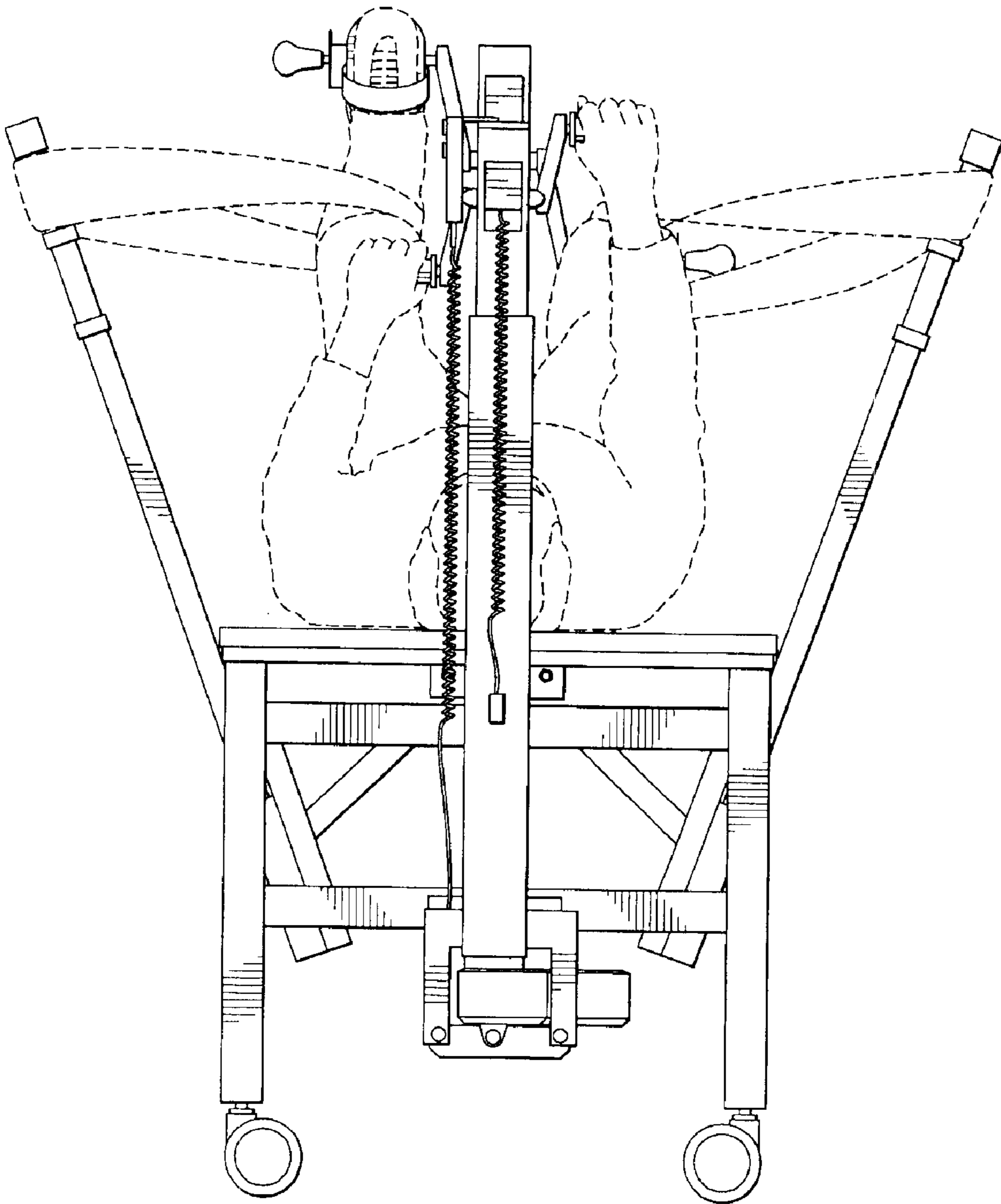


FIG. 7



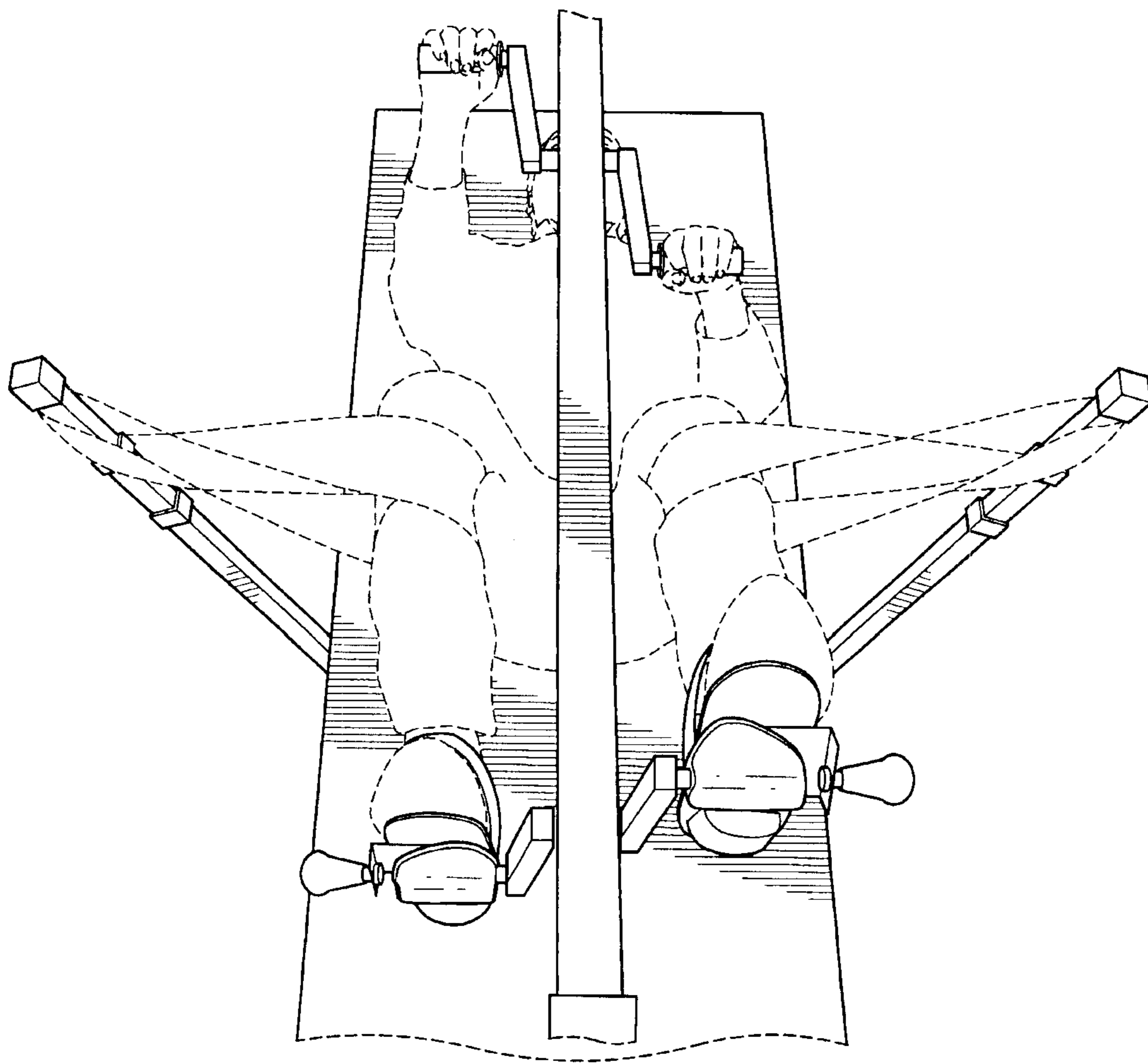


FIG. 8