



US00D531230S

(12) **United States Design Patent**  
**Voden**

(10) **Patent No.:** **US D531,230 S**  
(45) **Date of Patent:** **\*\* Oct. 31, 2006**

(54) **GAME TABLE**

(76) Inventor: **Justin L. Voden**, W.244 S.6945 Maple Hill Dr., Waukesha, WI (US) 53189

(\*\*) Term: **14 Years**

(21) Appl. No.: **29/226,810**

(22) Filed: **Apr. 1, 2005**

(51) **LOC (8) Cl.** ..... **06-03**

(52) **U.S. Cl.** ..... **D21/397; D6/429; D6/480**

(58) **Field of Classification Search** ..... D6/480-489, D6/495, 511, 429-431; D21/397; 108/150, 108/153.1, 155, 156, 161, 36, 127; 248/188, 248/188.1, 188.8; 273/309, 149 R

See application file for complete search history.

(56) **References Cited**

**U.S. PATENT DOCUMENTS**

D383,515 S	*	9/1997	Wiebe et al.	.....	D21/783
5,678,491 A	*	10/1997	Price et al.	.....	108/115
D400,950 S	*	11/1998	Nally et al.	.....	D21/397
D469,981 S	*	2/2003	Buono	.....	D6/429
D476,823 S	*	7/2003	Jackson	.....	D6/429
D512,466 S	*	12/2005	White et al.	.....	D21/397
D520,077 S	*	5/2006	Voden	.....	D21/397

2005/0093241 A1 \* 5/2005 Lipscomb et al. .... 273/309

\* cited by examiner

*Primary Examiner*—Janice E. Seeger

(74) *Attorney, Agent, or Firm*—Solutions Group, SC

(57) **CLAIM**

The ornamental design for a game table, as shown and described.

**DESCRIPTION**

FIG. 1 is a perspective view of a game table in accordance with the present invention.

FIG. 2 is a top plan view thereof.

FIG. 3 is a side elevational view thereof.

FIG. 4 is an end elevational view thereof.

FIG. 5 is an end elevational view of an alternate leg arrangement in accordance with the present invention.

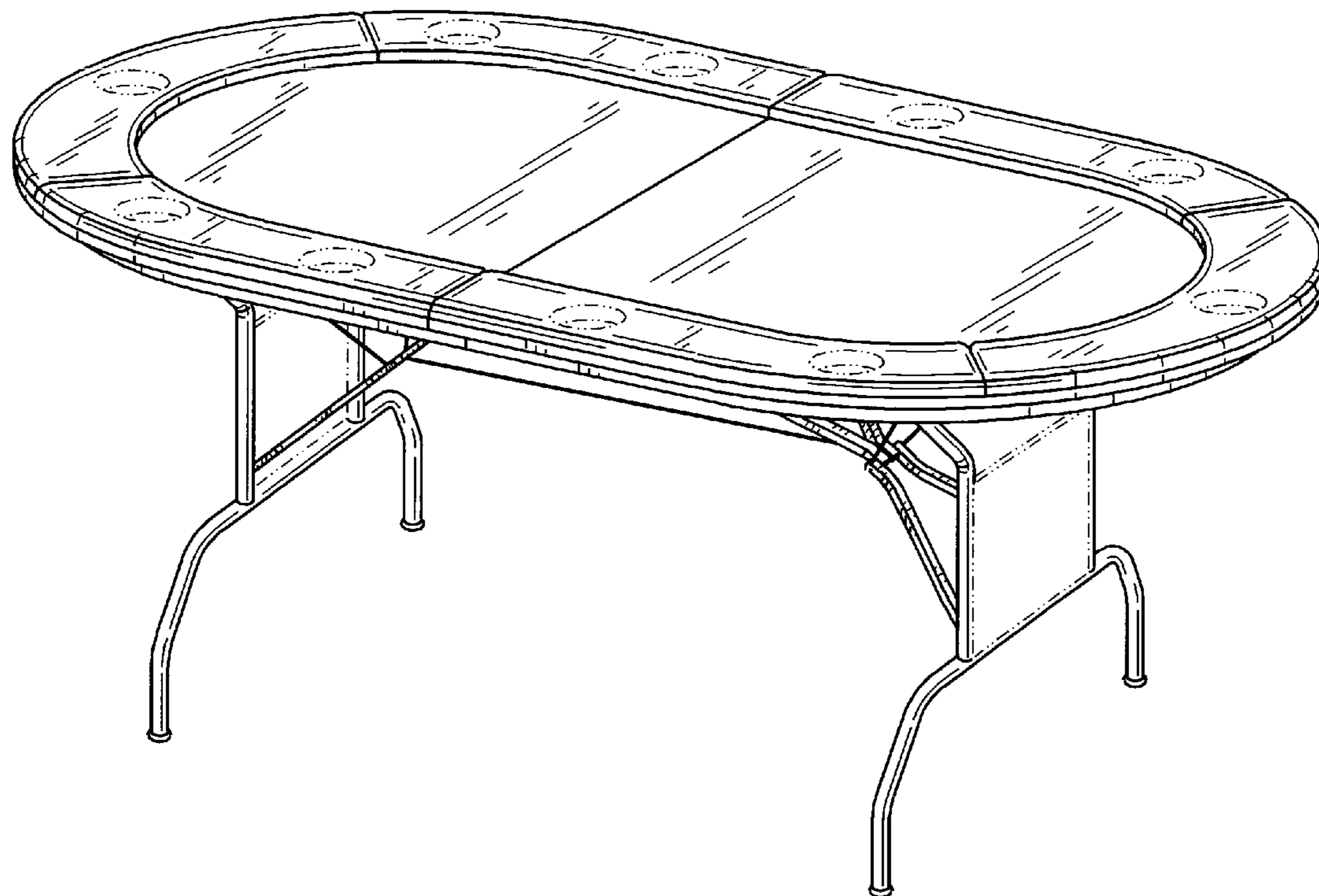
FIG. 6 is a bottom plan view of the game table of FIG. 4.

FIG. 7 is a bottom plan view of the game table of FIG. 5; and,

FIG. 8 is a side plan view of the game table of FIG. 1 with the game table and legs in a partially folded position.

The broken lines shown in all figures are for illustrative purposes only and form no part of the claimed design.

**1 Claim, 7 Drawing Sheets**



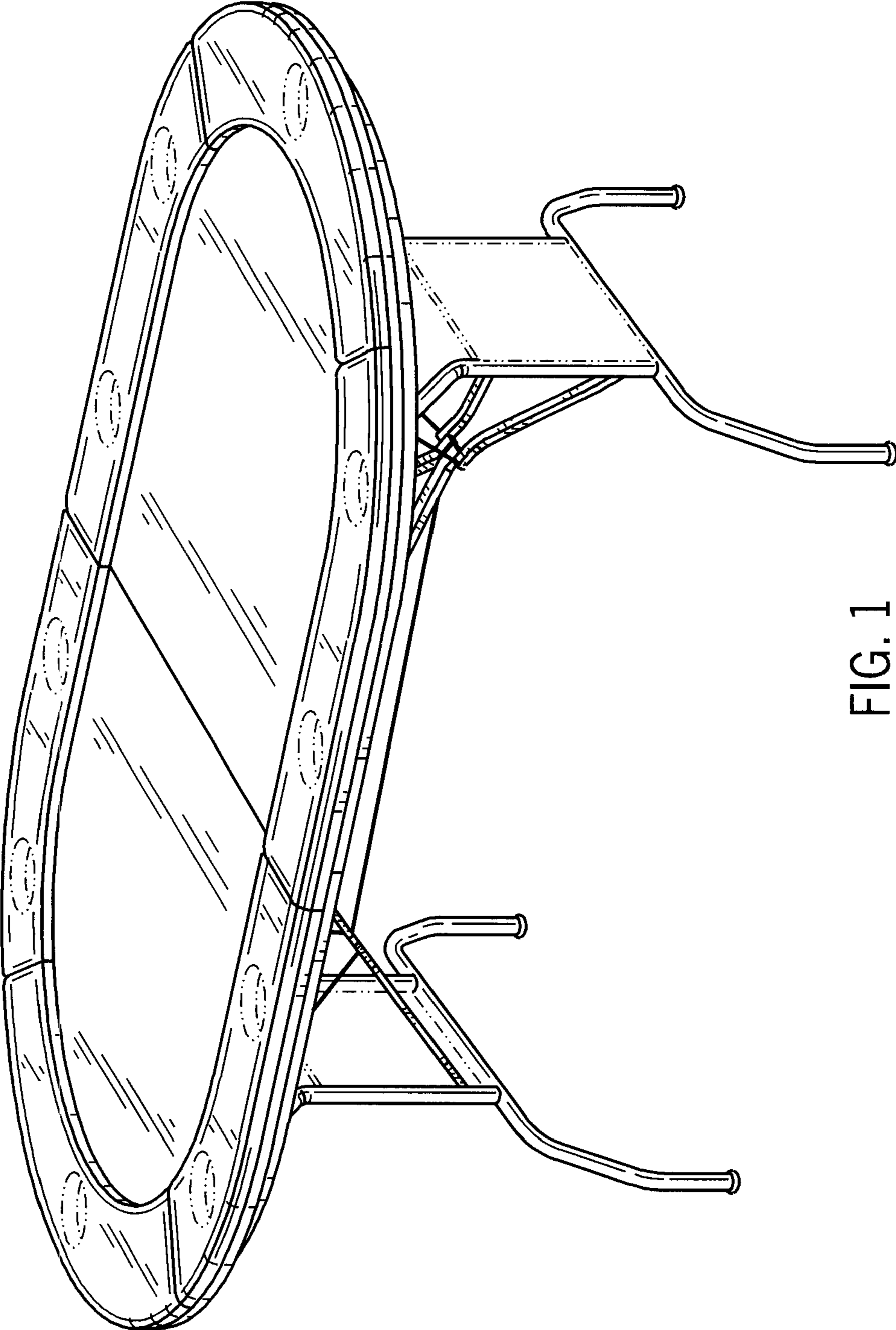


FIG. 1

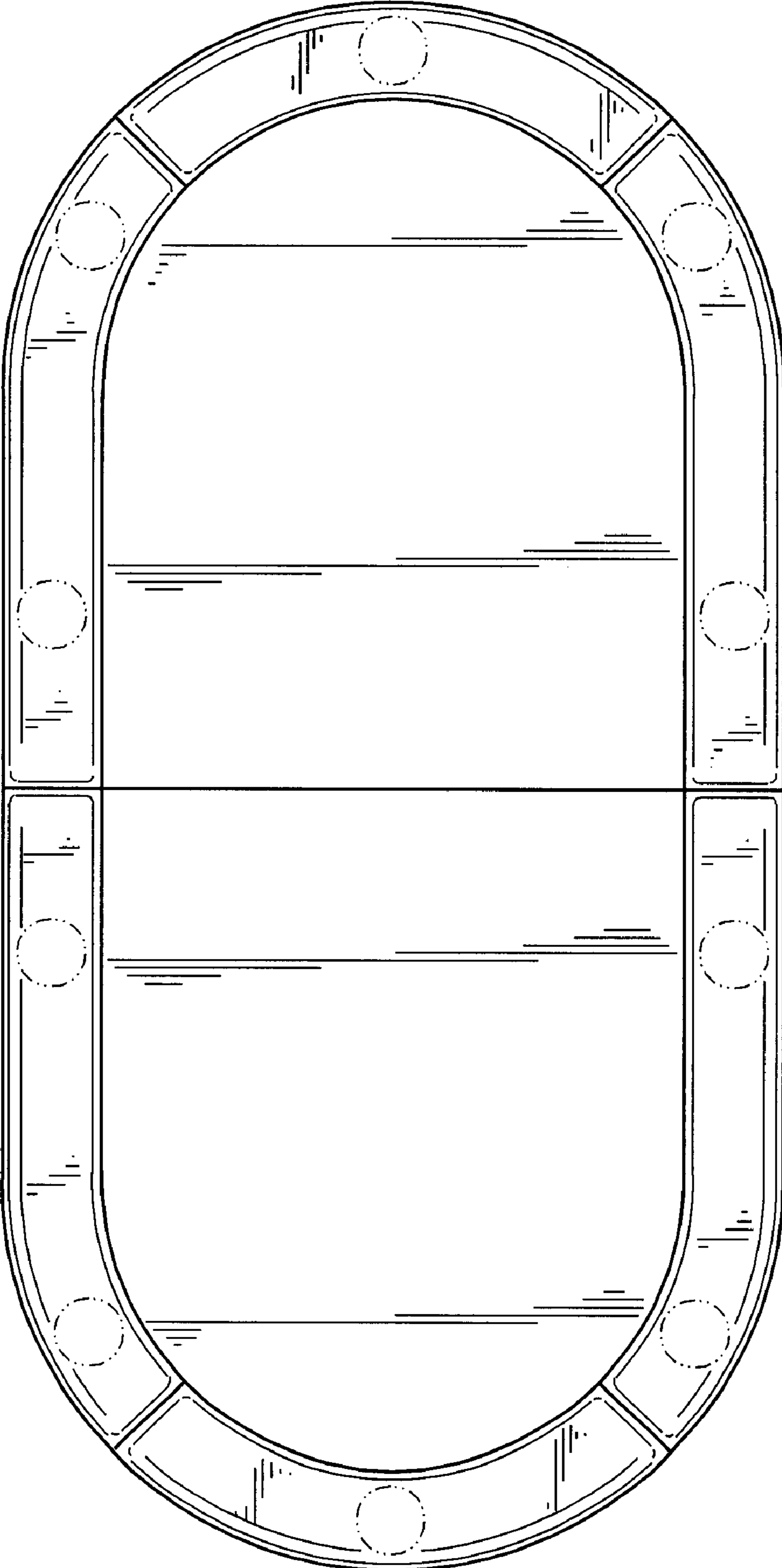


FIG. 2

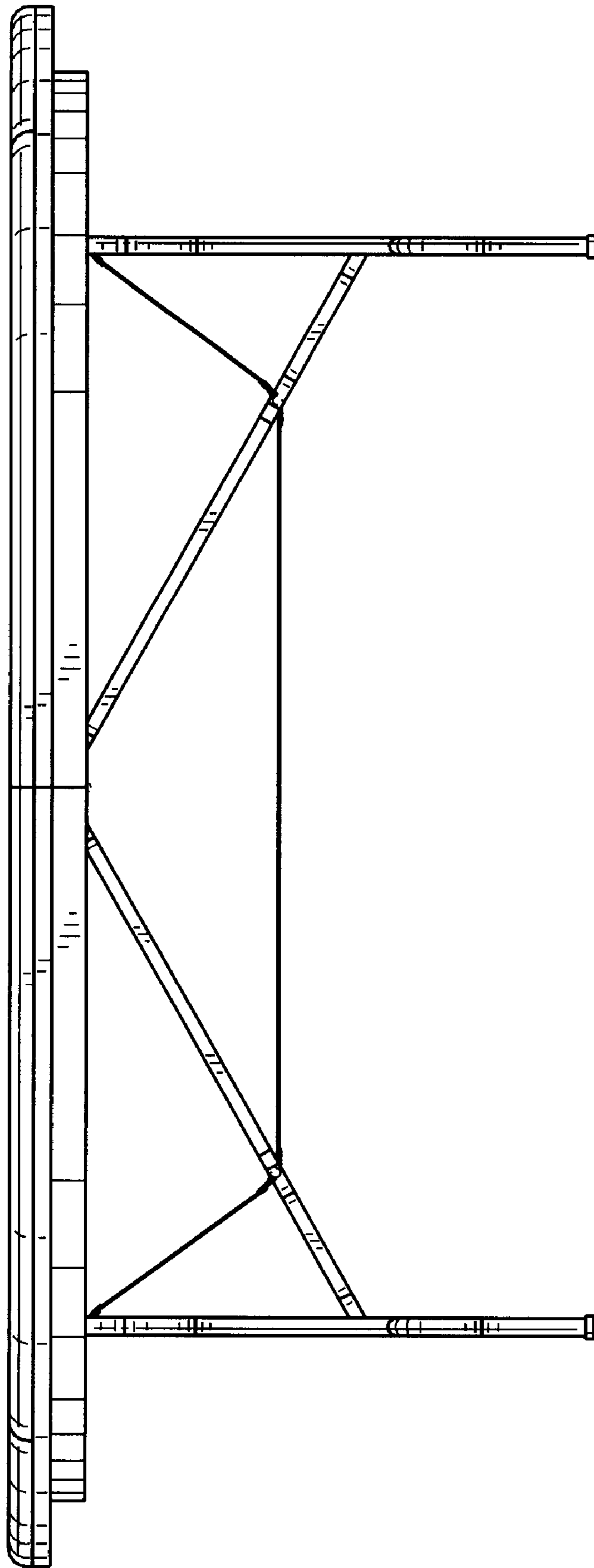


FIG. 3

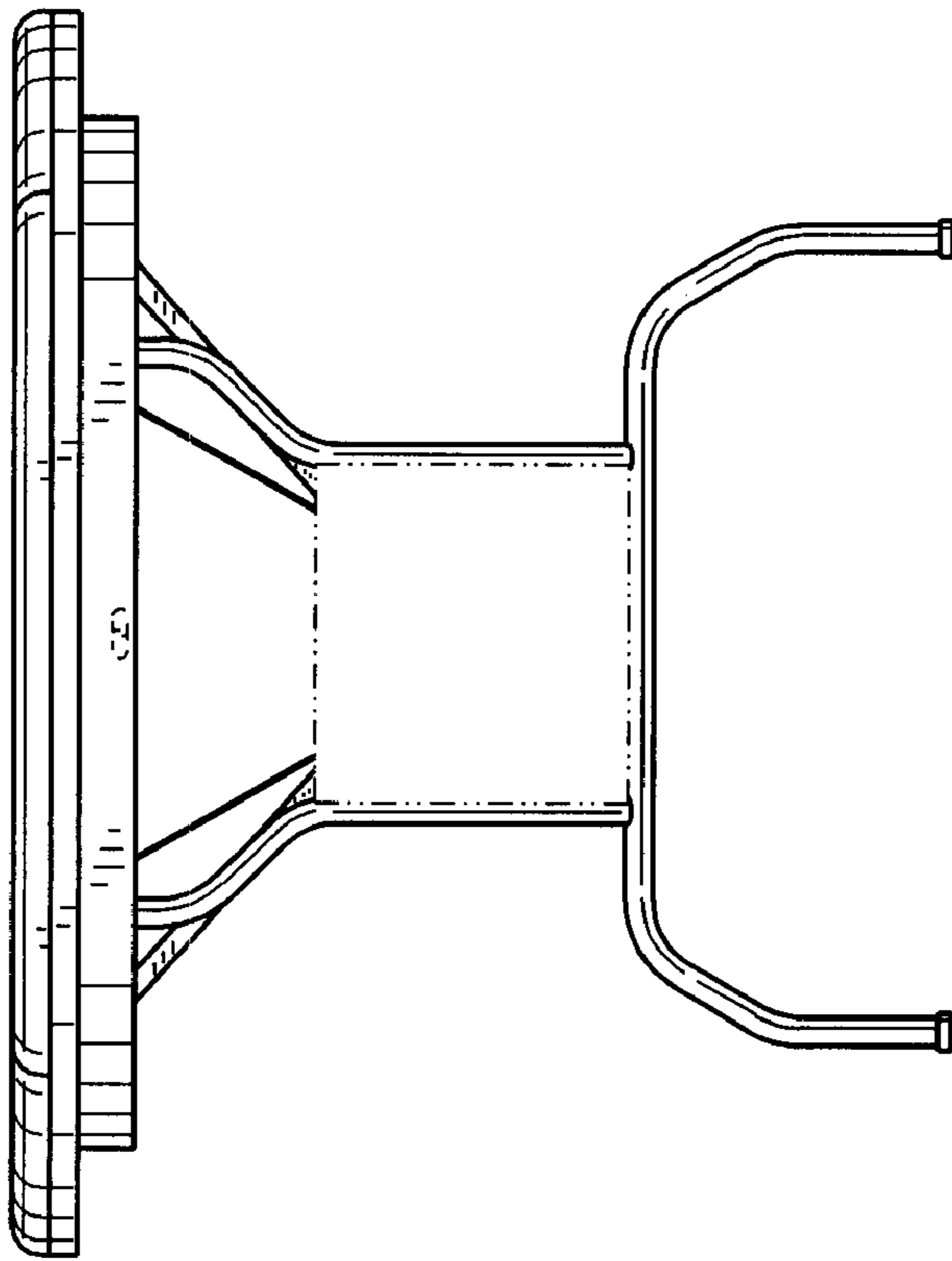


FIG. 4

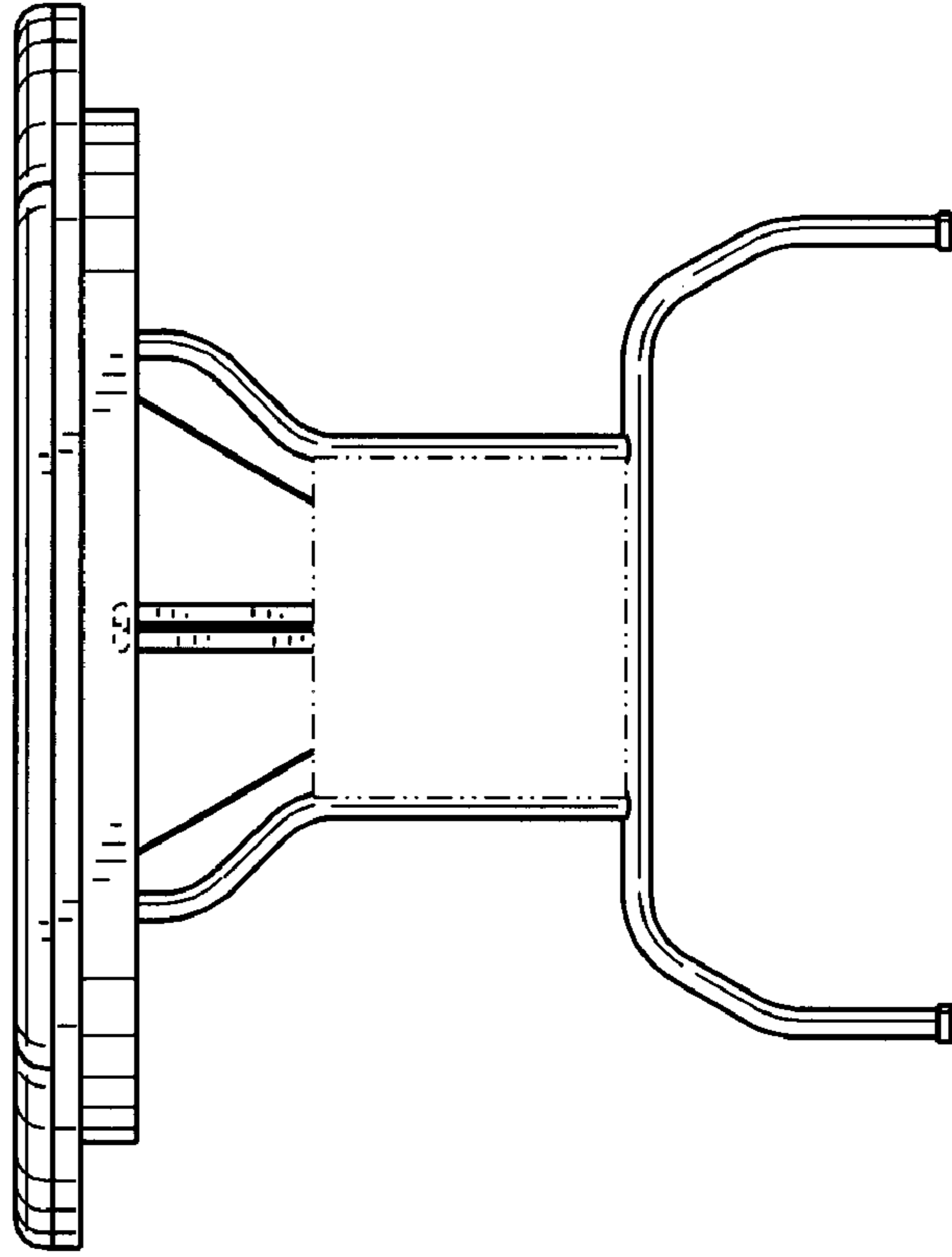


FIG. 5

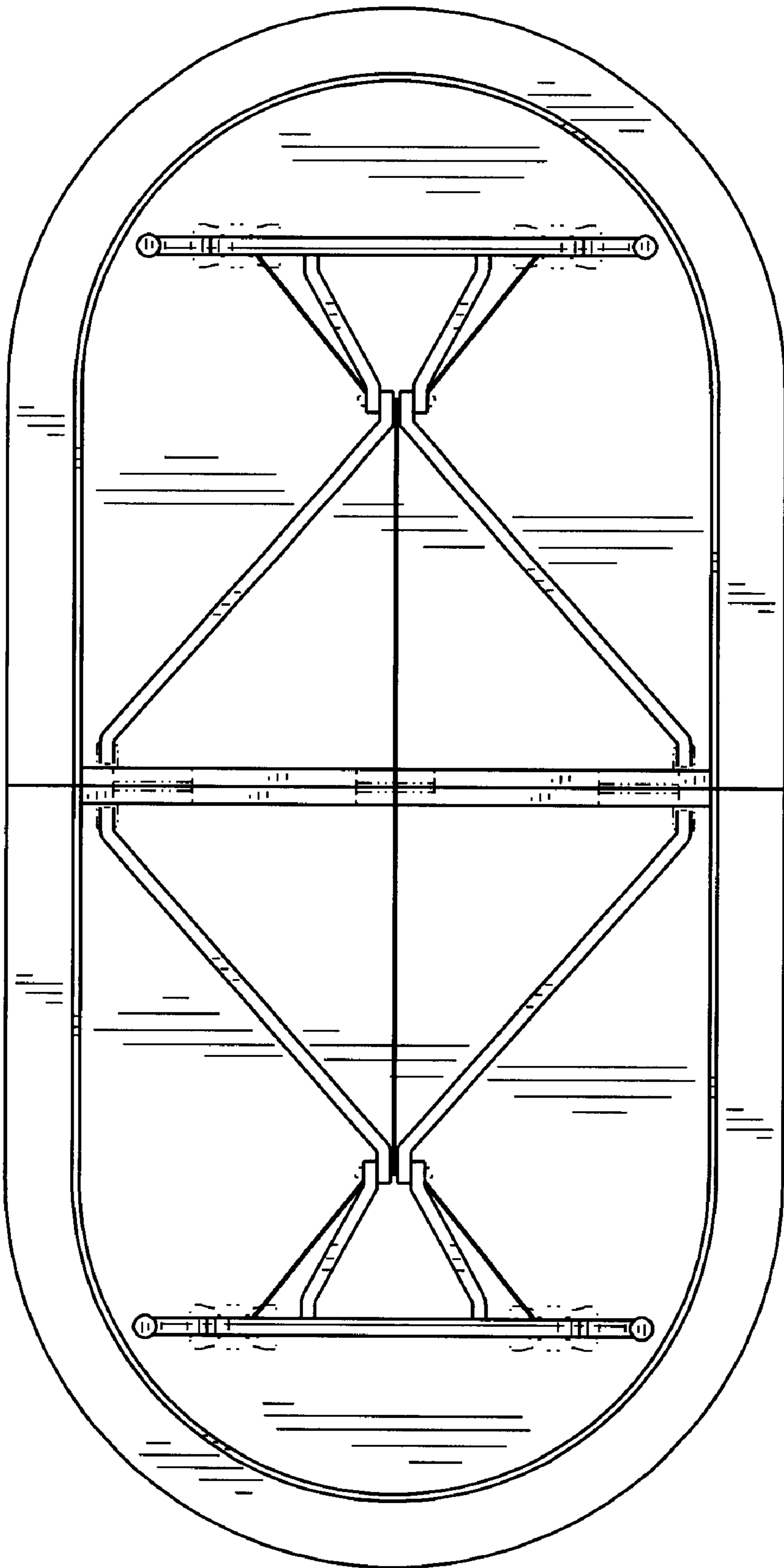


FIG. 6

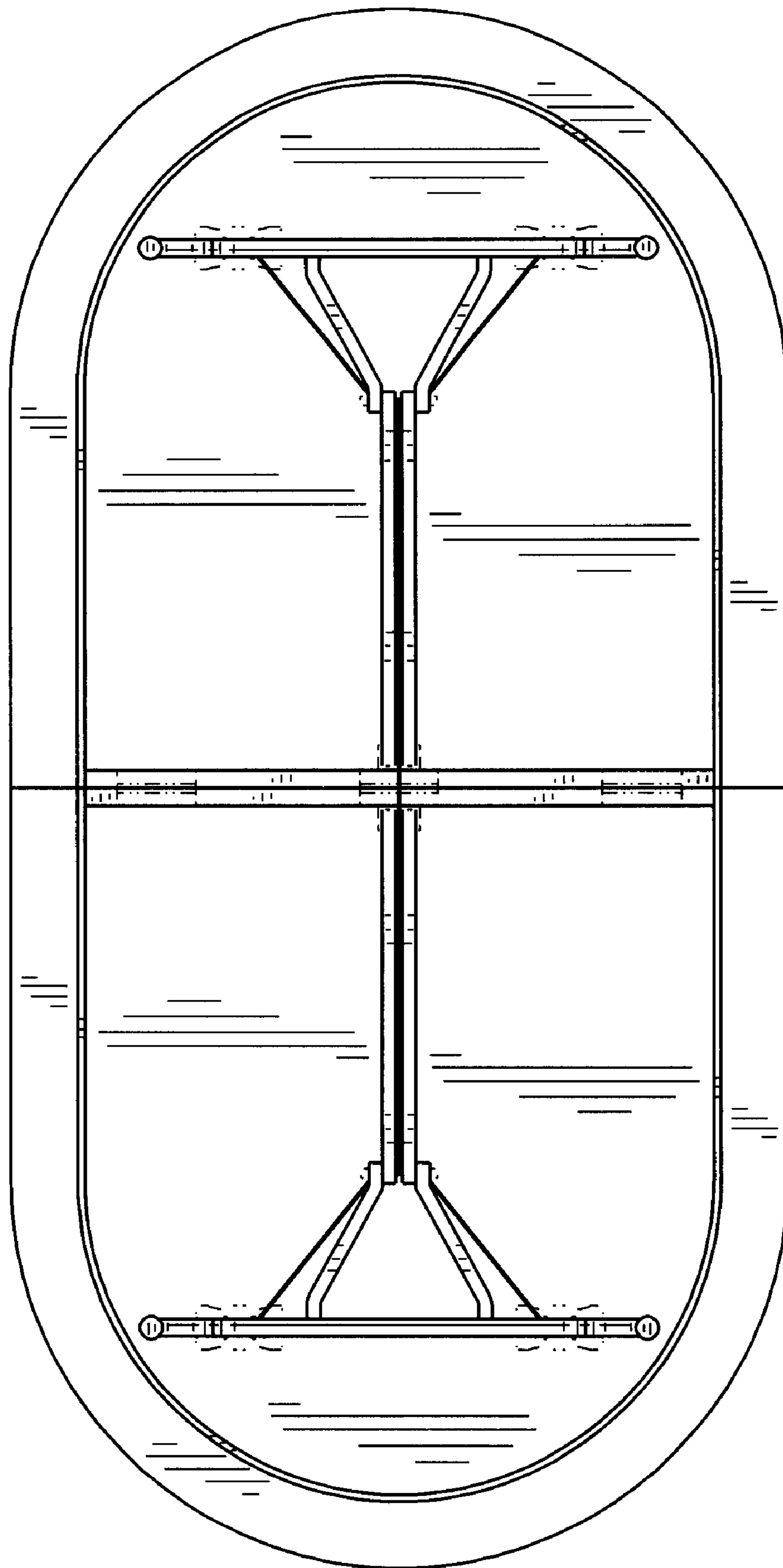


FIG. 7

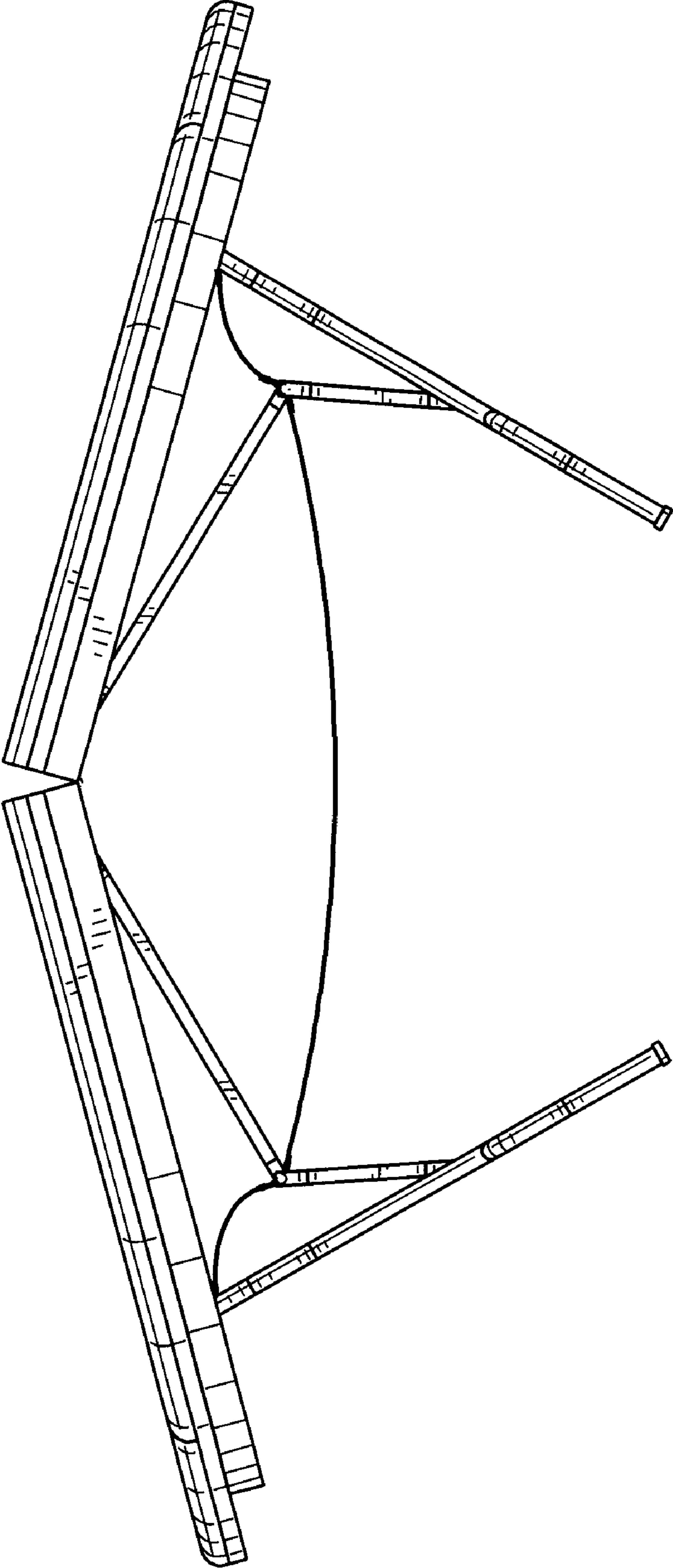


FIG. 8