



US00D531227S

(12) **United States Design Patent**
Mueller et al.

(10) **Patent No.:** **US D531,227 S**

(45) **Date of Patent:** **** Oct. 31, 2006**

(54) **LABEL HOLDER**

(75) Inventors: **Paul A. Mueller**, Wadsworth, OH (US);
Stephen D. Wamsley, Lakewood, OH (US)

(73) Assignee: **Fasteners for Retail, Inc.**, Cleveland, OH (US)

(**) **Term:** **14 Years**

(21) **Appl. No.:** **29/225,009**

(22) **Filed:** **Mar. 9, 2005**

(51) **LOC (8) Cl.** **20-03**

(52) **U.S. Cl.** **D20/44**

(58) **Field of Classification Search** D20/10,
D20/11, 34, 40, 41, 42, 43, 44, 49; D6/315,
D6/320, 328; D8/363, 367, 380; 40/322,
40/617, 642.01, 642.02, 661.08, 672, 771,
40/788; 223/85, 87, 91, 97, 98; 248/125.2,
248/170, 171

See application file for complete search history.

(56) **References Cited**

U.S. PATENT DOCUMENTS

3,320,690	A	5/1967	Forsburg	
5,419,066	A	5/1995	Harnois et al.	
5,515,632	A	5/1996	Gebka et al.	
5,815,970	A	* 10/1998	Thalenfeld et al. 40/642.01
5,826,359	A	* 10/1998	Thalenfeld et al. 40/642.01
6,026,603	A	2/2000	Kump et al.	
D425,566	S	5/2000	Mueller et al.	
D425,939	S	* 5/2000	Kump et al. D20/43
6,226,910	B1	5/2001	Ireland	

D443,311	S	* 6/2001	Wildrick D20/43
D447,184	S	* 8/2001	Bjerke et al. D20/44
6,269,571	B1	* 8/2001	Thalenfeld 40/642.01
D454,163	S	* 3/2002	Nagel D20/43
D454,373	S	3/2002	Kosir	
D461,507	S	* 8/2002	Nagel D20/43
6,470,613	B1	* 10/2002	Wildrick 40/661.03
6,553,702	B1	4/2003	Bacnik	
6,568,112	B1	5/2003	Lowry et al.	
D479,278	S	* 9/2003	Nagel D20/43
D480,434	S	* 10/2003	Brinkman et al. D20/43
6,665,971	B1	12/2003	Lowry et al.	
6,688,567	B1	2/2004	Fast et al.	
6,971,201	B1	* 12/2005	Brinkman et al. 40/642.02
2004/0250459	A1	12/2004	Brinkman et al.	

* cited by examiner

Primary Examiner—Robert M. Spear

(74) *Attorney, Agent, or Firm*—Fay, Sharpe, Fagan, Minnich & McKee, LLP

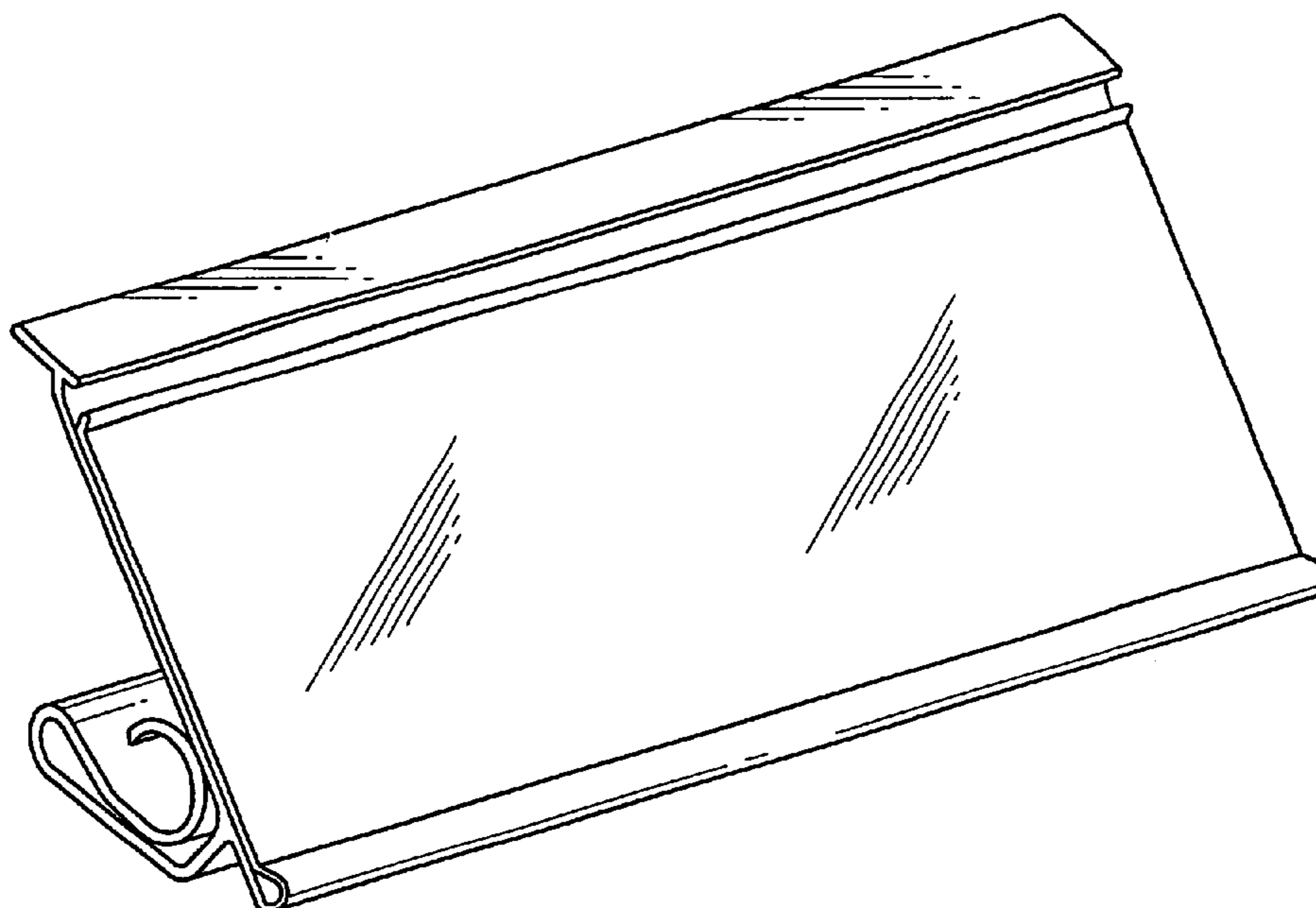
(57) **CLAIM**

The ornamental design for a label holder, as shown and described.

DESCRIPTION

FIG. 1 is a perspective view of a label holder showing our new design;
FIG. 2 is a front elevational view thereof;
FIG. 3 is a rear elevational view thereof;
FIG. 4 is a right side elevational view thereof, with the left side elevational view being a mirror image thereof;
FIG. 5 is a top plan view thereof; and,
FIG. 6 is a bottom plan view thereof.

1 Claim, 1 Drawing Sheet



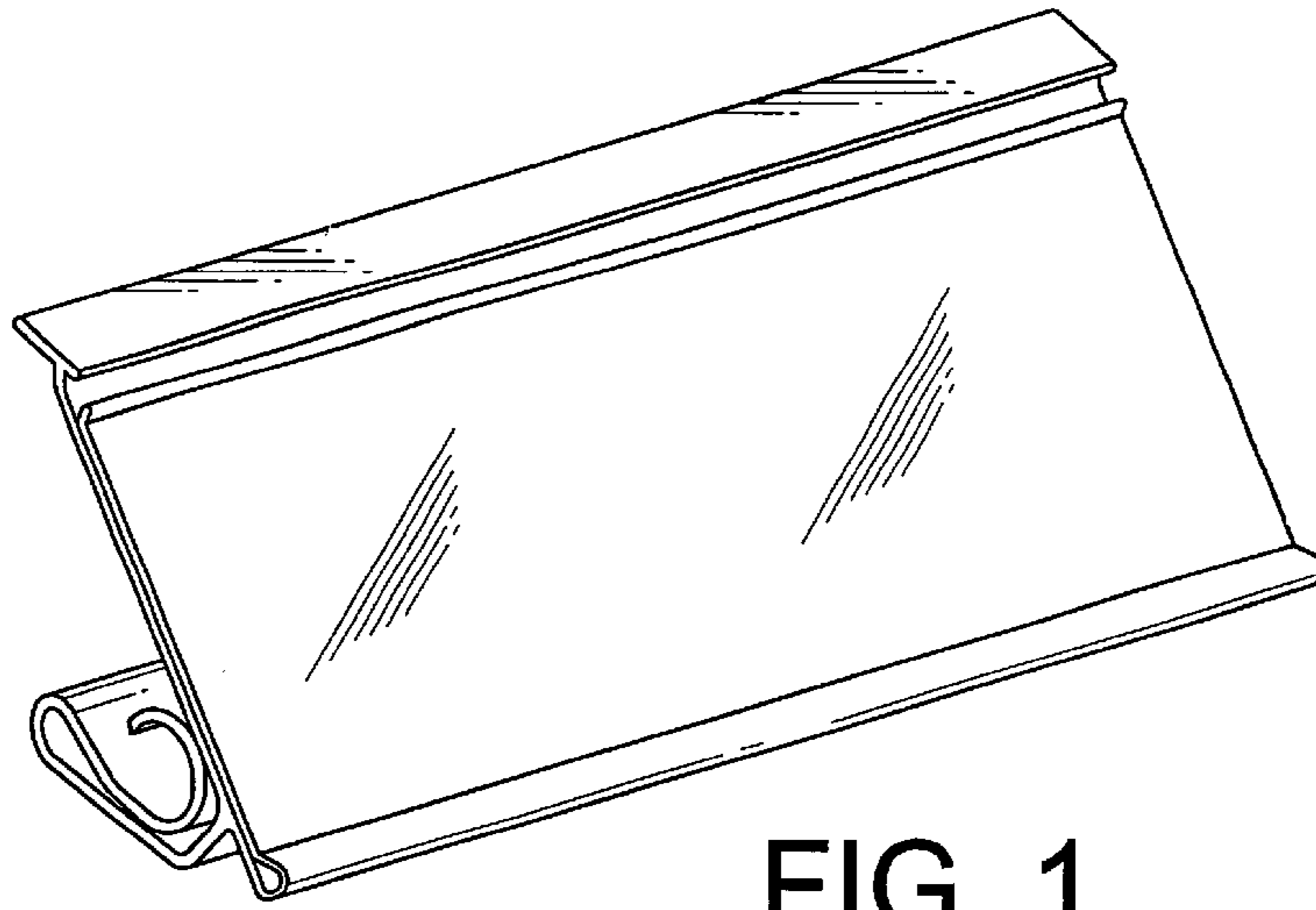


FIG. 1

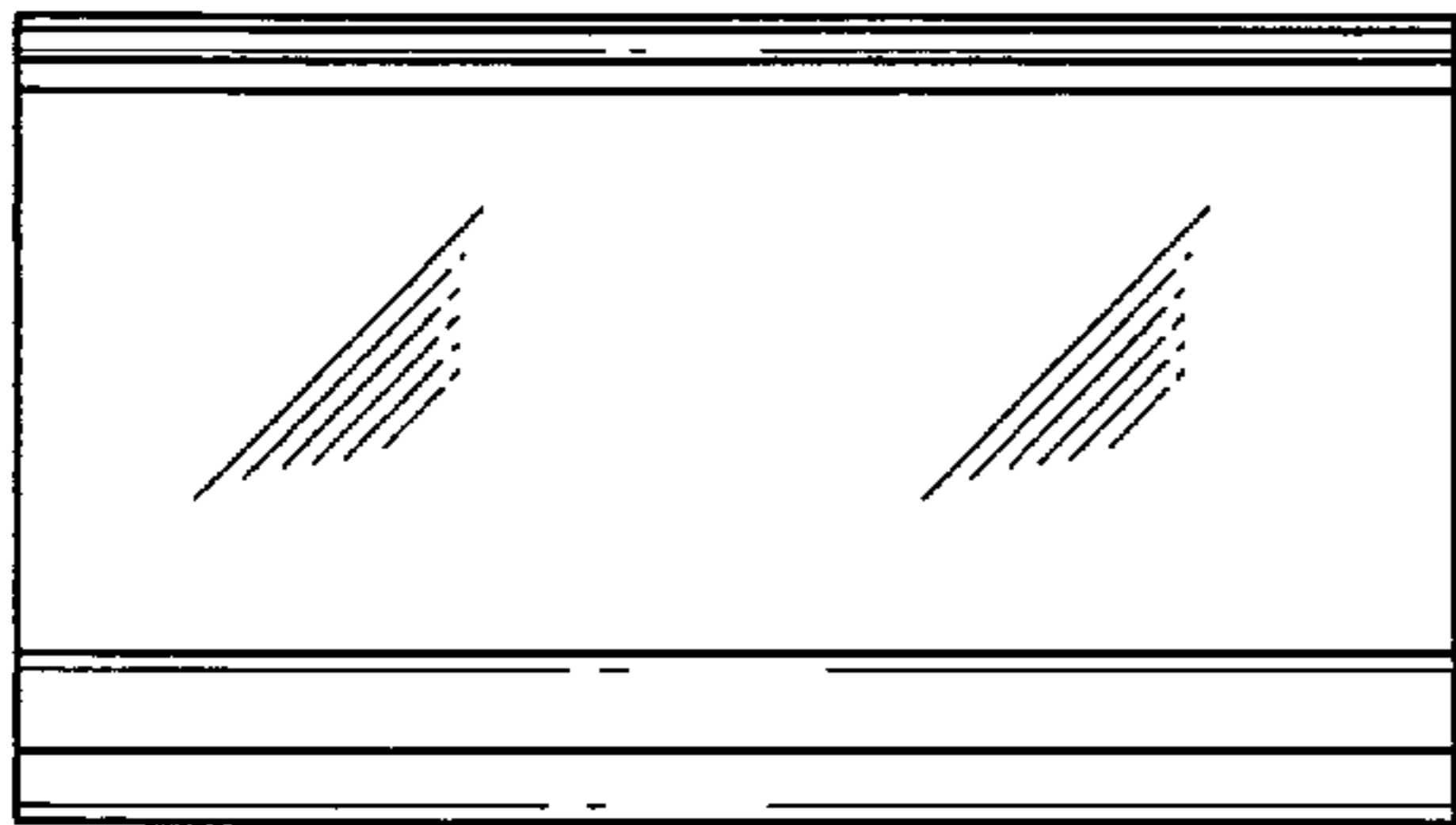


FIG. 2

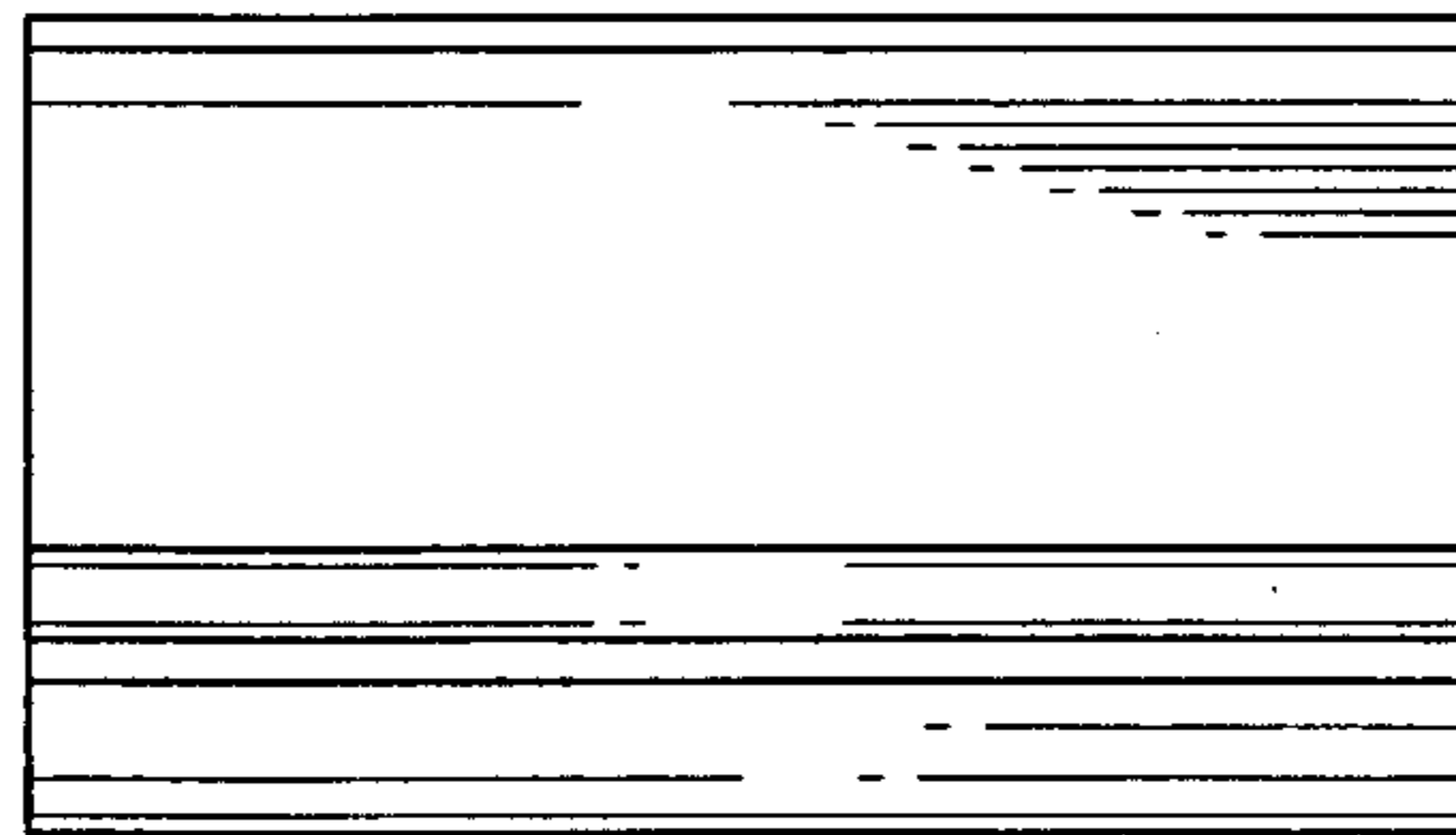


FIG. 3

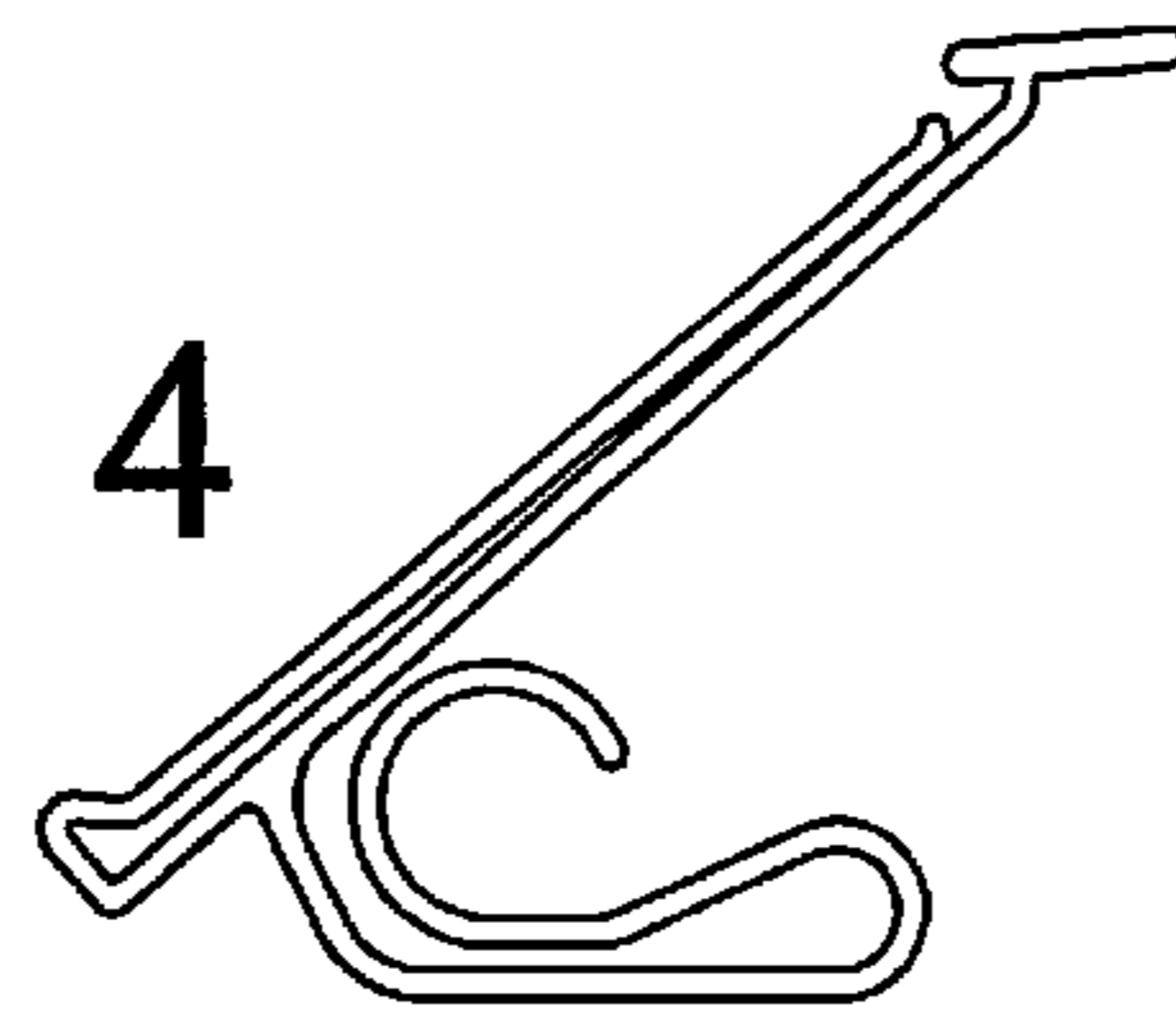


FIG. 4

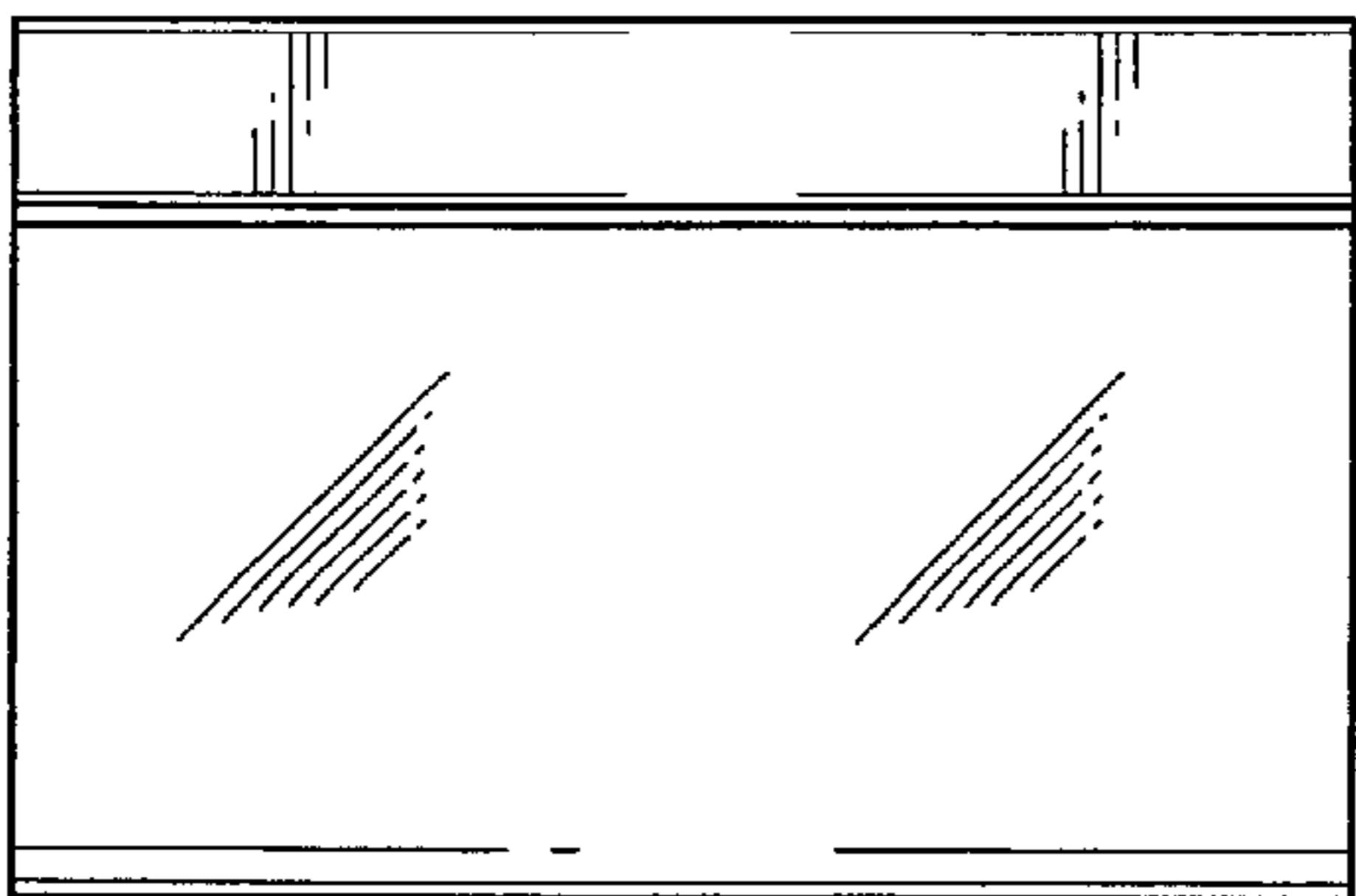


FIG. 5

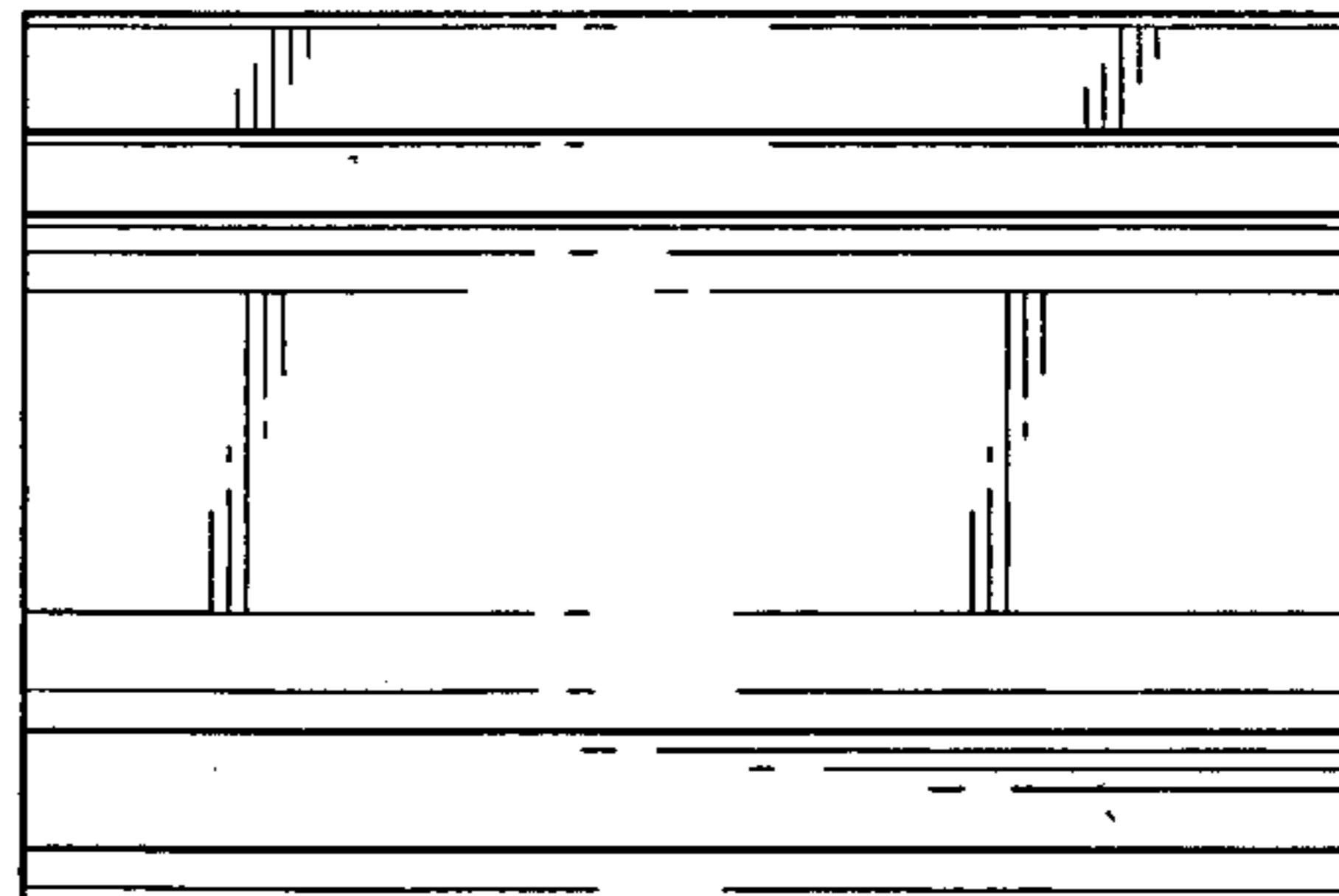


FIG. 6