



US00D531226S

(12) **United States Design Patent**
Chen et al.

(10) **Patent No.:** **US D531,226 S**

(45) **Date of Patent:** **** Oct. 31, 2006**

(54) **DESK ORGANIZER**

(75) Inventors: **Peter Chen**, West Windsor, NJ (US);
Jungkun Lee, Edison, NJ (US)

(73) Assignee: **Officemate International Corp.**,
Edison, NJ (US)

(**) Term: **14 Years**

(21) Appl. No.: **29/229,548**

(22) Filed: **May 9, 2005**

(51) **LOC (8) Cl.** **19-02**

(52) **U.S. Cl.** **D19/78**

(58) **Field of Classification Search** D6/467,
D6/468, 476, 512, 553, 567, 569, 570, 571,
D6/629; D19/65, 75, 77, 78, 81, 83, 84, 85,
D19/86, 90, 92, 95; 206/214, 224, 371; 211/10,
211/11, 45, 50, 52, 55

See application file for complete search history.

(56) **References Cited**

U.S. PATENT DOCUMENTS

D185,130 S * 5/1959 Camilli D19/78
D269,574 S * 7/1983 Dougherty D6/476
D277,969 S * 3/1985 Bustos D19/75

D290,141 S * 6/1987 Rabig D19/90
D321,011 S * 10/1991 Blossom D19/78
D330,047 S * 10/1992 Evenson D19/78
D495,367 S * 8/2004 Stravitz D19/75
D497,184 S * 10/2004 Bain D19/75
D502,220 S * 2/2005 Stravitz D19/90

* cited by examiner

Primary Examiner—Elizabeth A. Albert

(74) *Attorney, Agent, or Firm*—Daniel Kirshner

(57) **CLAIM**

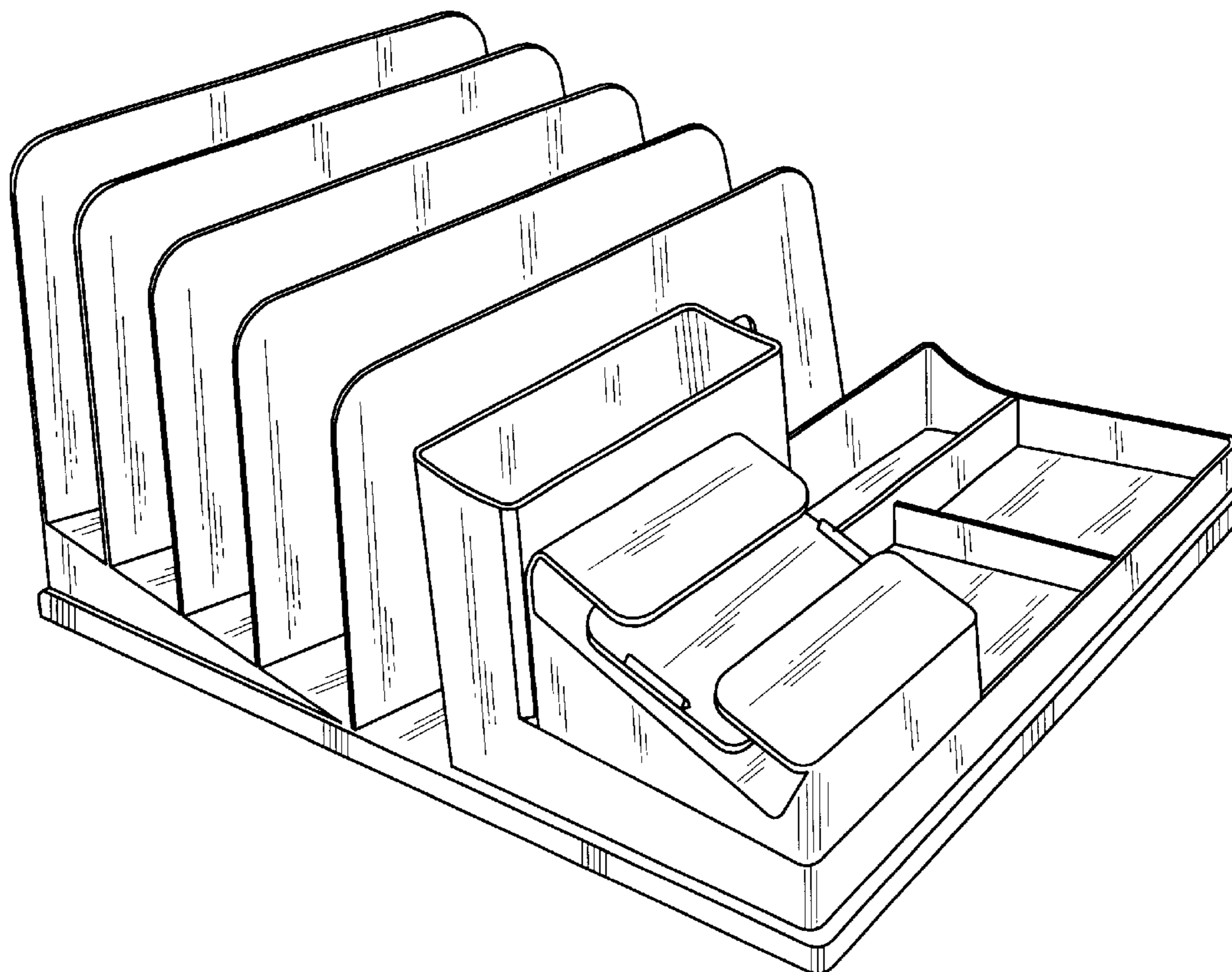
The ornamental design for a desk organizer, as shown and described.

DESCRIPTION

FIG. 1 is a front perspective view of a desk organizer showing the new design; FIG. 2 is a another front perspective view thereof; FIG. 3 is a front elevational view thereof; FIG. 4 is a rear elevational view thereof; FIG. 5 is a left side elevational view thereof; FIG. 6 is a right side view thereof; and, FIG. 7 is a top plan view thereof.

The broken lines shown in the drawing are for illustrative purposes only and form no part of the claimed design.

1 Claim, 7 Drawing Sheets



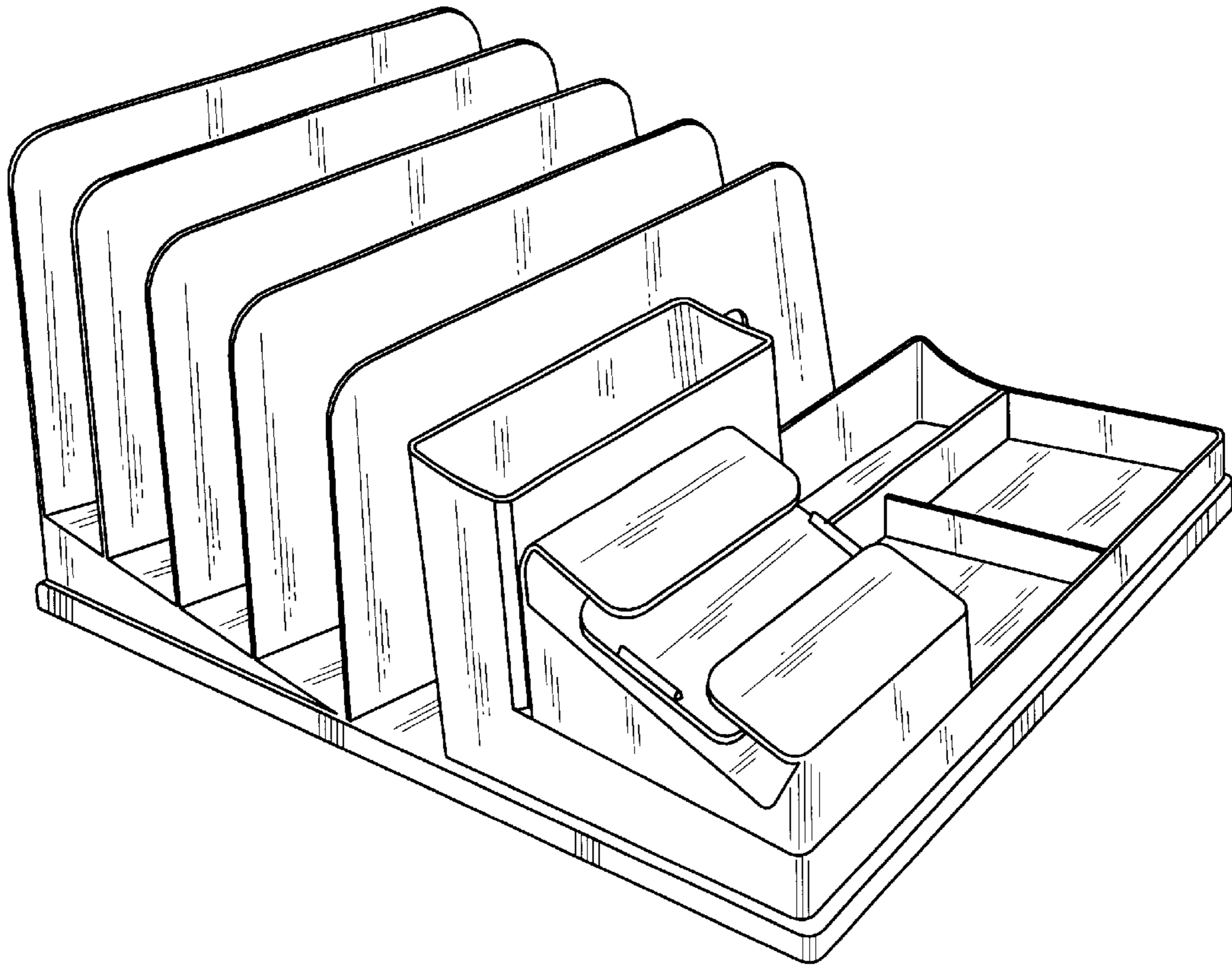


FIG. 1

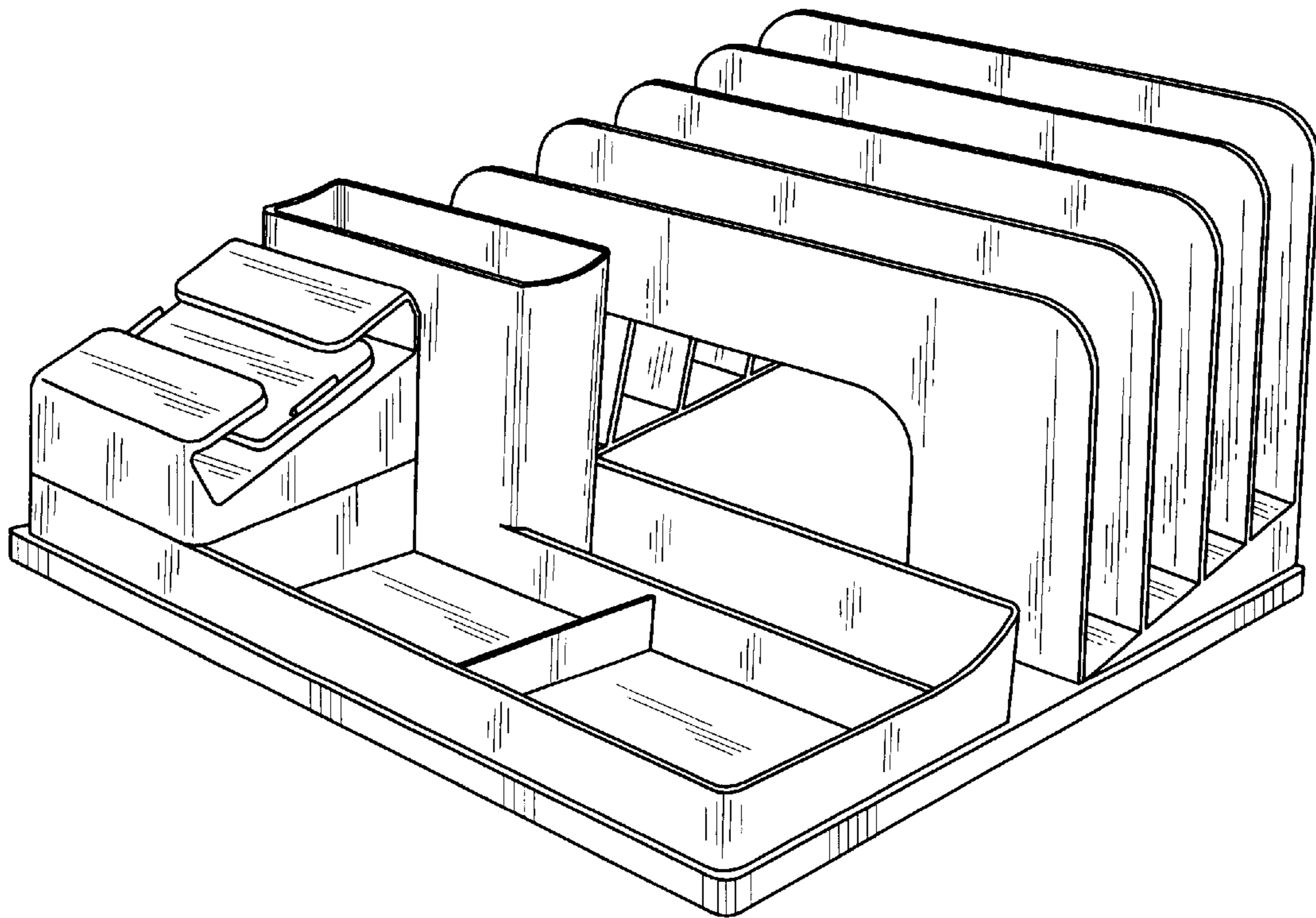


FIG. 2

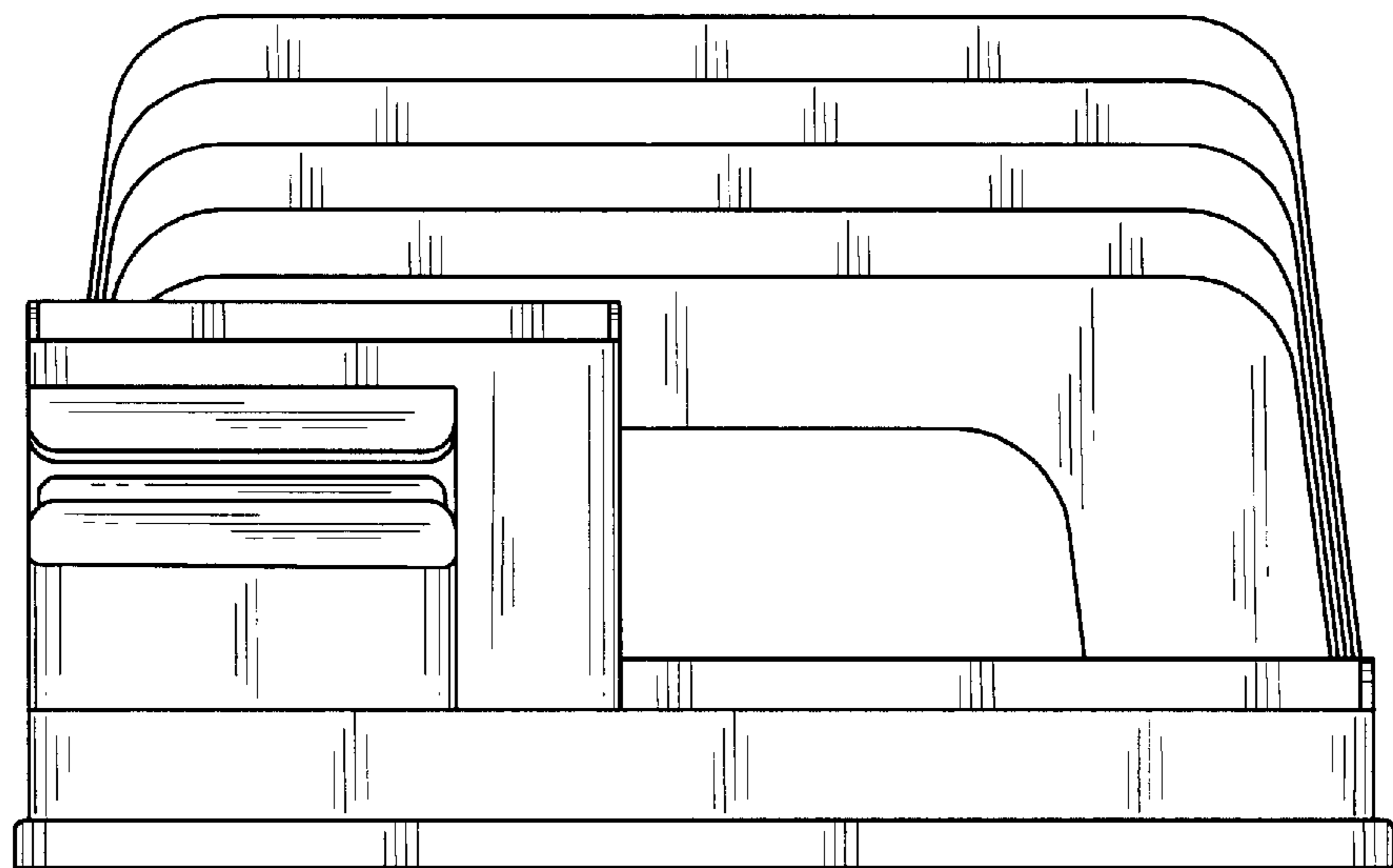


FIG. 3

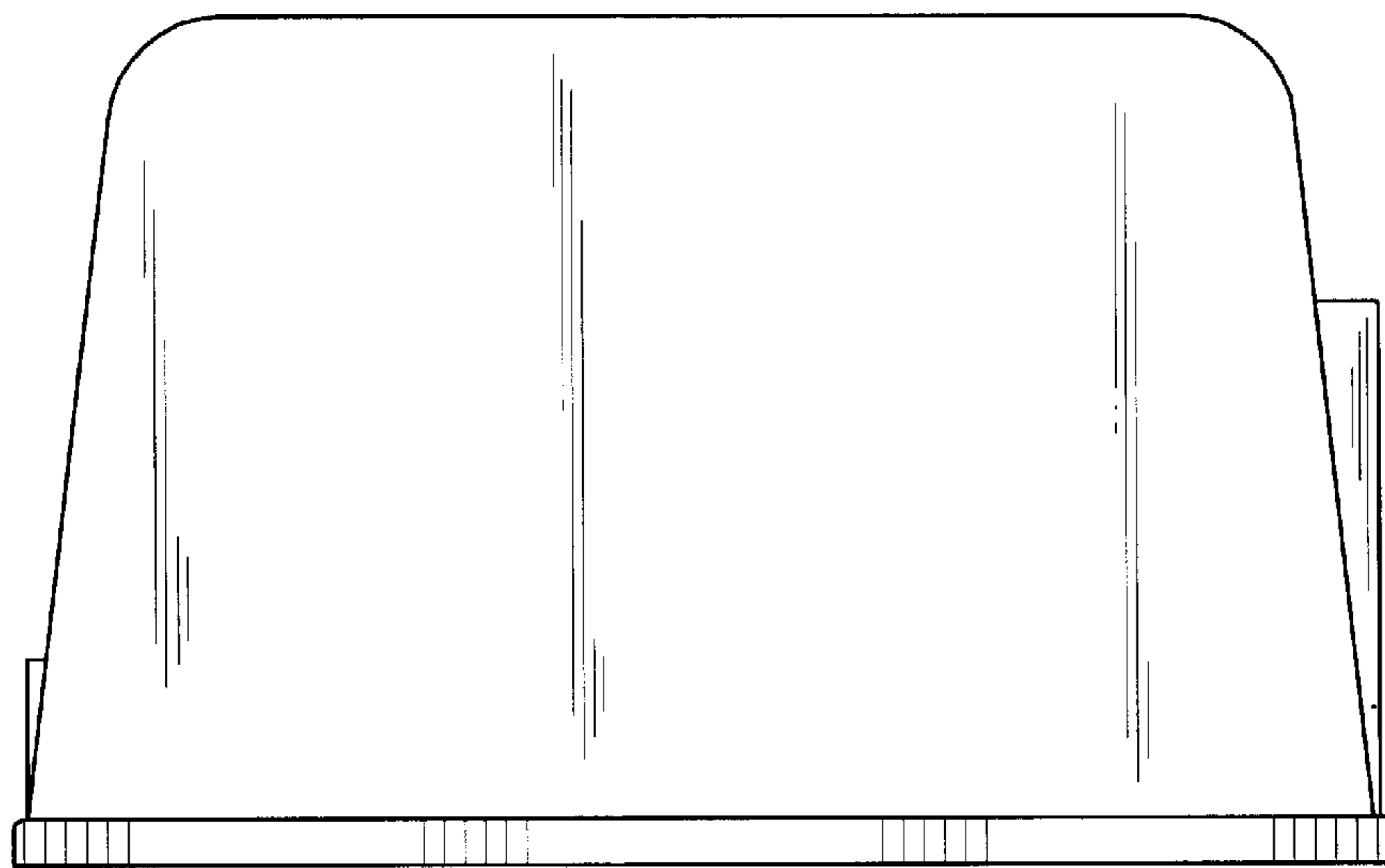


FIG. 4

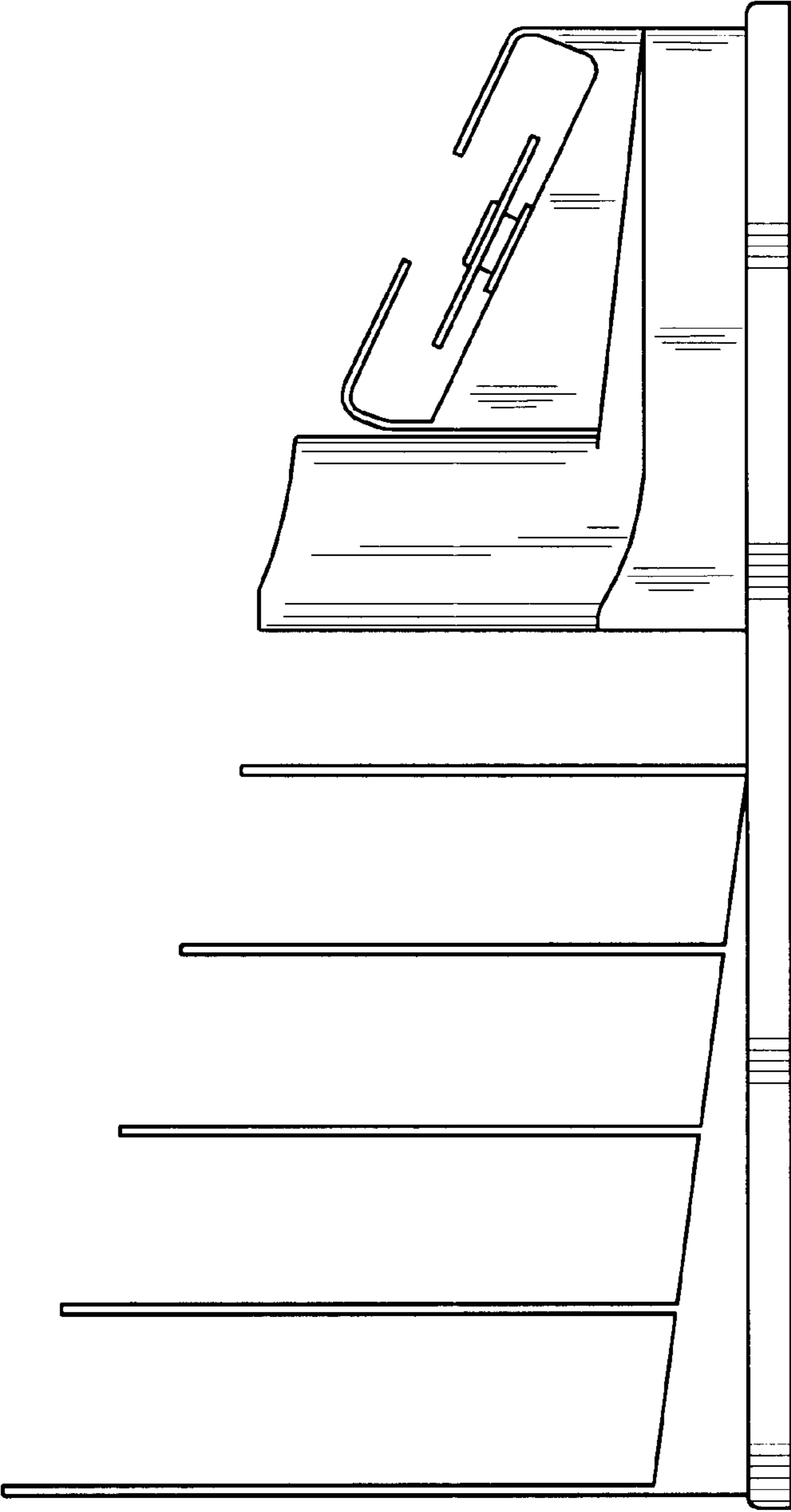


FIG. 5

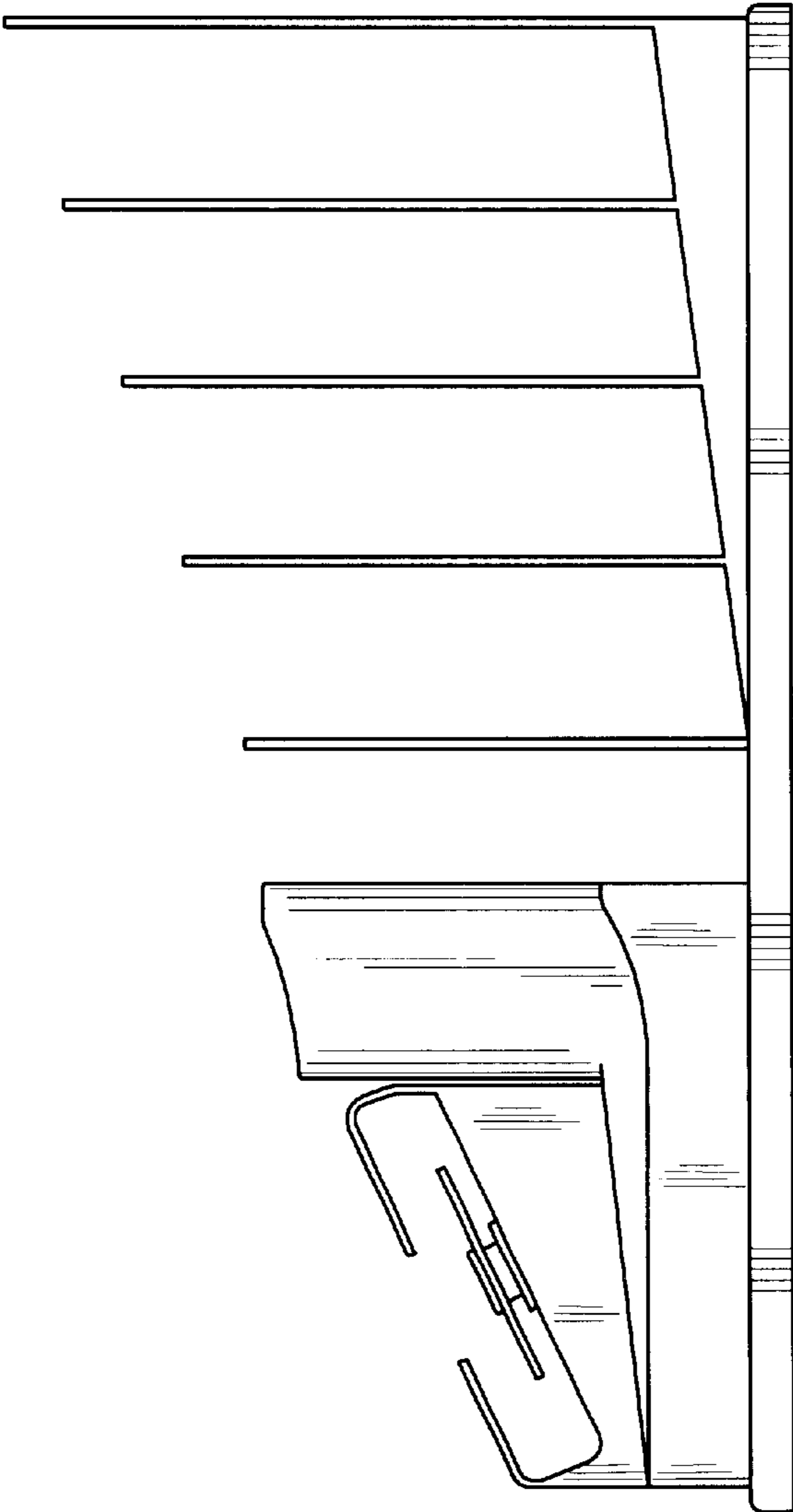


FIG. 6

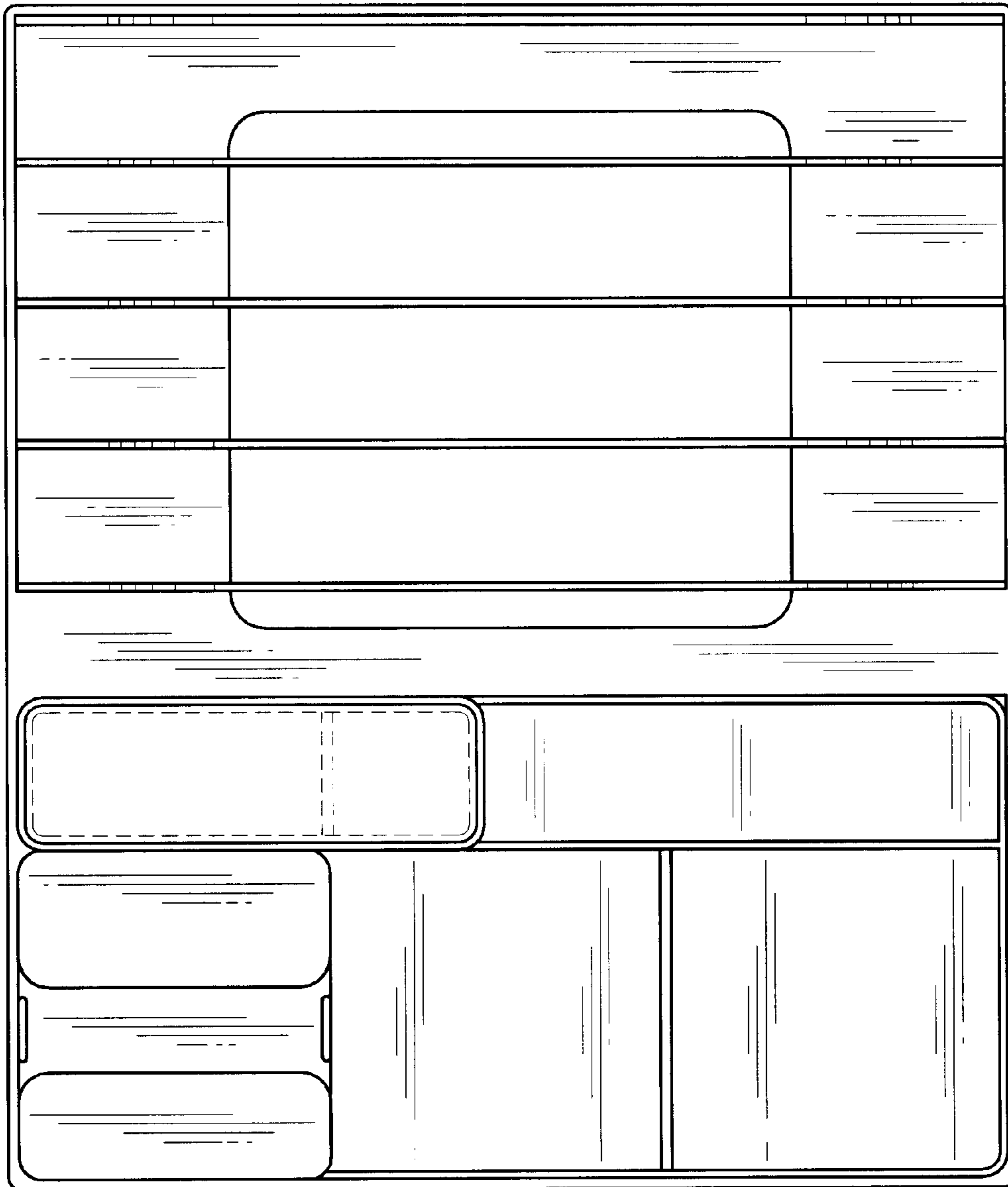


FIG. 7