



US00D531225S

(12) **United States Design Patent**
Kent et al.

(10) **Patent No.:** **US D531,225 S**
(45) **Date of Patent:** **** Oct. 31, 2006**

- (54) **DESK ORGANIZER**
- (75) Inventors: **Michael Kent**, Cumberland, RI (US);
David Gerard D'Angelo, Mendon, MA (US);
Michael C. Nelson, Westborough, MA (US);
Robert A. George, Weddington, NC (US)
- (73) Assignee: **Staples, The Office Superstore, LLC**, Framingham, MA (US)
- (**) Term: **14 Years**
- (21) Appl. No.: **29/226,402**
- (22) Filed: **Mar. 28, 2005**
- (51) **LOC (8) Cl.** **19-02**
- (52) **U.S. Cl.** **D19/77**
- (58) **Field of Classification Search** D6/467,
D6/468, 476, 512, 553, 567, 569, 570, 571,
D6/629; D19/65, 75, 77, 78, 81, 83, 84, 85,
D19/86, 90, 92, 95; 206/214, 224, 371; 211/10,
211/11, 45, 50, 52, 55
See application file for complete search history.

- 4,787,595 A 11/1988 Hegarty
- D298,953 S 12/1988 Roberts
- 4,802,593 A 2/1989 Romanos
- D301,898 S 6/1989 Galvez
- D303,813 S 10/1989 Foran et al.
- D305,246 S 12/1989 Kirchhoff et al.
- 4,907,703 A 3/1990 Alger et al.
- 4,949,853 A 8/1990 Klein et al.
- D312,662 S 12/1990 Ancona
- 4,991,712 A 2/1991 Wagner
- D317,178 S 5/1991 Kheng
- D319,075 S 8/1991 Sweeny et al.
- 5,040,681 A 8/1991 Grusin
- 5,044,594 A 9/1991 Hegarty
- D321,011 S 10/1991 Blossom
- D322,990 S 1/1992 Samuelson
- D323,353 S 1/1992 Wagner
- D328,100 S 7/1992 Liaw
- D330,047 S 10/1992 Evenson
- D330,219 S 10/1992 Carlson et al.
- 5,154,498 A 10/1992 Slater

(Continued)

Primary Examiner—Elizabeth A. Albert
(74) *Attorney, Agent, or Firm*—Wolf, Greenfield & Sacks, P.C.

(56) **References Cited**

U.S. PATENT DOCUMENTS

- D171,893 S * 4/1954 Hills D7/632
- 4,006,827 A 2/1977 Riches
- 4,082,190 A 4/1978 Merz
- 4,362,248 A 12/1982 Vilanova
- D268,367 S 3/1983 Paquette et al.
- D270,256 S 8/1983 Sankey
- 4,410,093 A 10/1983 Chiariello et al.
- 4,429,932 A 2/1984 Brennan
- D276,444 S 11/1984 Battle
- D277,969 S 3/1985 Bustos
- 4,516,508 A 5/1985 Kako et al.
- D290,852 S 7/1987 Wang
- 4,740,044 A 4/1988 Taylor
- D296,116 S 6/1988 Klodt
- D296,907 S 7/1988 Danielson
- D297,439 S 8/1988 Rabig
- 4,768,298 A 9/1988 Polhemus et al.
- D298,341 S 11/1988 Warwicker

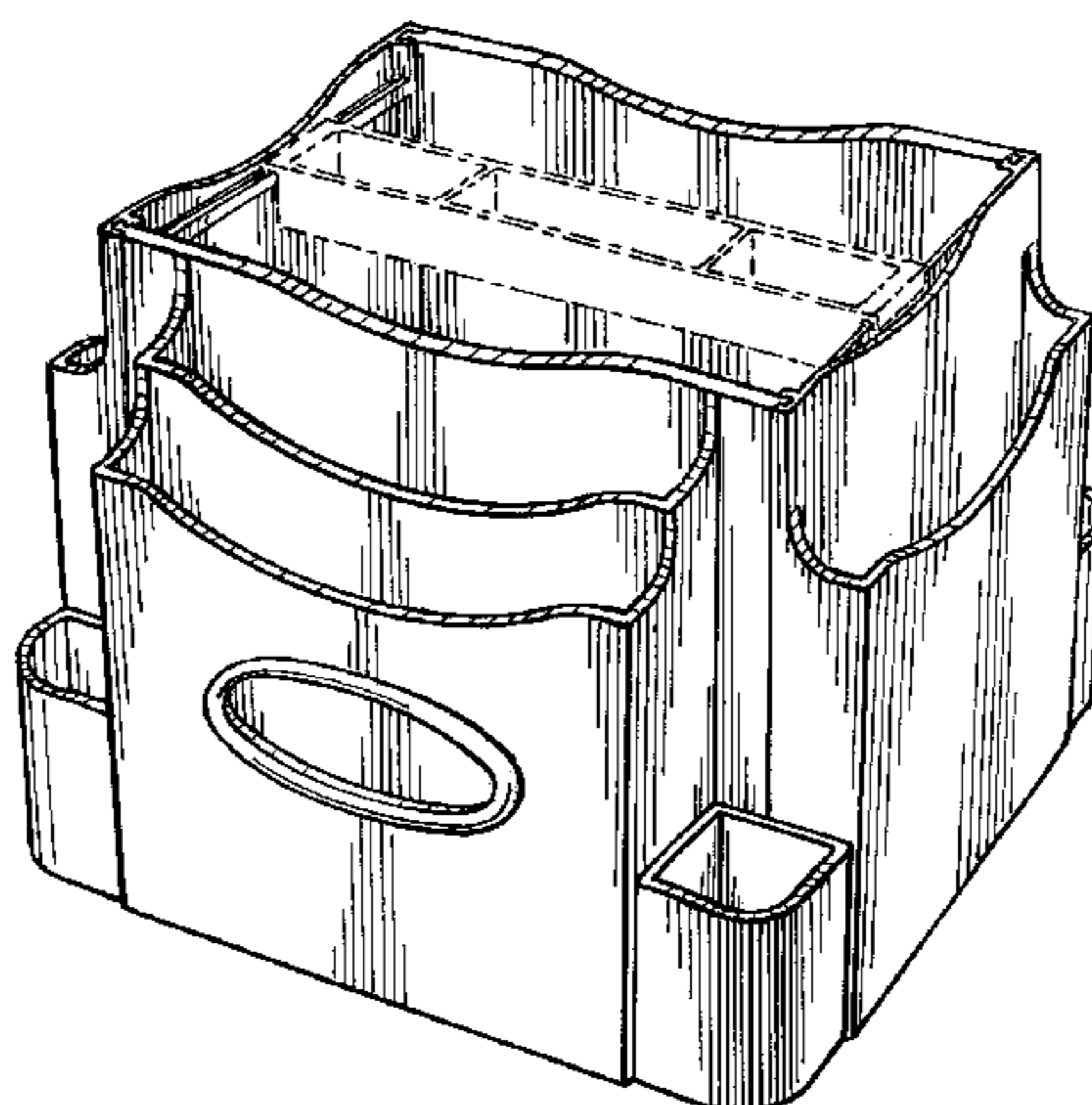
(57) **CLAIM**

The ornamental design for a desk organizer, as shown and described.

DESCRIPTION

FIG. 1 is a perspective view of the desk organizer showing our new design;
FIG. 2 is a front view thereof, the rear view thereof being a mirror image thereof;
FIG. 3 is a left side view thereof, the right side view thereof being a mirror image thereof;
FIG. 4 is a top view thereof; and,
FIG. 5 is a bottom view thereof.
The broken lines showing unclaimed subject matter in the drawings are for information purposes only and form no part of the claimed design.

1 Claim, 2 Drawing Sheets



US D531,225 S

Page 2

U.S. PATENT DOCUMENTS

D330,728 S	11/1992	Liaw	D377,951 S	2/1997	McDiarmid
D331,942 S	12/1992	Kirchner	D385,735 S	11/1997	Hundley et al.
D332,966 S	2/1993	Ancona et al.	D387,928 S	12/1997	Hunt
D333,841 S	3/1993	Henrickson	D390,266 S	* 2/1998	Cheris et al. D19/78
D333,842 S	3/1993	Kirchner	D391,295 S	2/1998	Kocon et al.
D335,895 S	5/1993	Chan	D393,455 S	4/1998	D'Agaro et al.
D336,110 S	6/1993	Peersmann	5,775,521 A	7/1998	Tisbo
D337,351 S	7/1993	Chern	D407,753 S	4/1999	Kwok
D338,041 S	8/1993	Cheng	D408,455 S	* 4/1999	Guy et al. D19/78
D339,648 S	9/1993	Wen-Yung	5,938,158 A	8/1999	Tisbo
D339,824 S	9/1993	Ancona et al.	D414,808 S	10/1999	Hunt
D340,071 S	10/1993	Sun	6,027,090 A	2/2000	Liu
D341,375 S	11/1993	Chin	D428,624 S	7/2000	Kwok
D342,094 S	12/1993	Ancona et al.	D428,923 S	8/2000	McDiarmid
D342,095 S	12/1993	Peersmann	6,119,851 A	9/2000	Paciello
D342,281 S	12/1993	Lin	D433,711 S	11/2000	Andujar
D342,758 S	12/1993	Kirchhoff et al.	D440,679 S	4/2001	Lo
D343,197 S	1/1994	Peersmann	D448,048 S	9/2001	Brown, III
D344,547 S	2/1994	Tietje	D456,451 S	4/2002	Slater et al.
D348,692 S	7/1994	Hou	D457,191 S	5/2002	Slater et al.
D349,170 S	7/1994	Lin	D457,566 S	5/2002	Slater et al.
D349,904 S	8/1994	Arenberg	D459,398 S	* 6/2002	Stravitz D19/90
D352,068 S	11/1994	Adams	D469,126 S	1/2003	Joss et al.
D353,905 S	12/1994	Lin	D469,810 S	2/2003	Joss et al.
D354,310 S	1/1995	Crist et al.	D473,592 S	4/2003	Hardy et al.
D354,516 S	1/1995	Crist et al.	D477,848 S	7/2003	Chen
D357,034 S	4/1995	King	6,591,990 B1	7/2003	Lanman et al.
D361,598 S	8/1995	Adams	D486,184 S	2/2004	Leithaeuser
D365,517 S	12/1995	Bedford et al.	D495,007 S	* 8/2004	Stravitz D19/90
5,495,938 A	3/1996	Bedford et al.	D497,184 S	* 10/2004	Bain D19/75
D369,620 S	5/1996	Boutsakis et al.	D497,953 S	11/2004	Adams
D370,029 S	5/1996	Green et al.	D498,499 S	11/2004	Fynn
D373,794 S	9/1996	Ming			

* cited by examiner

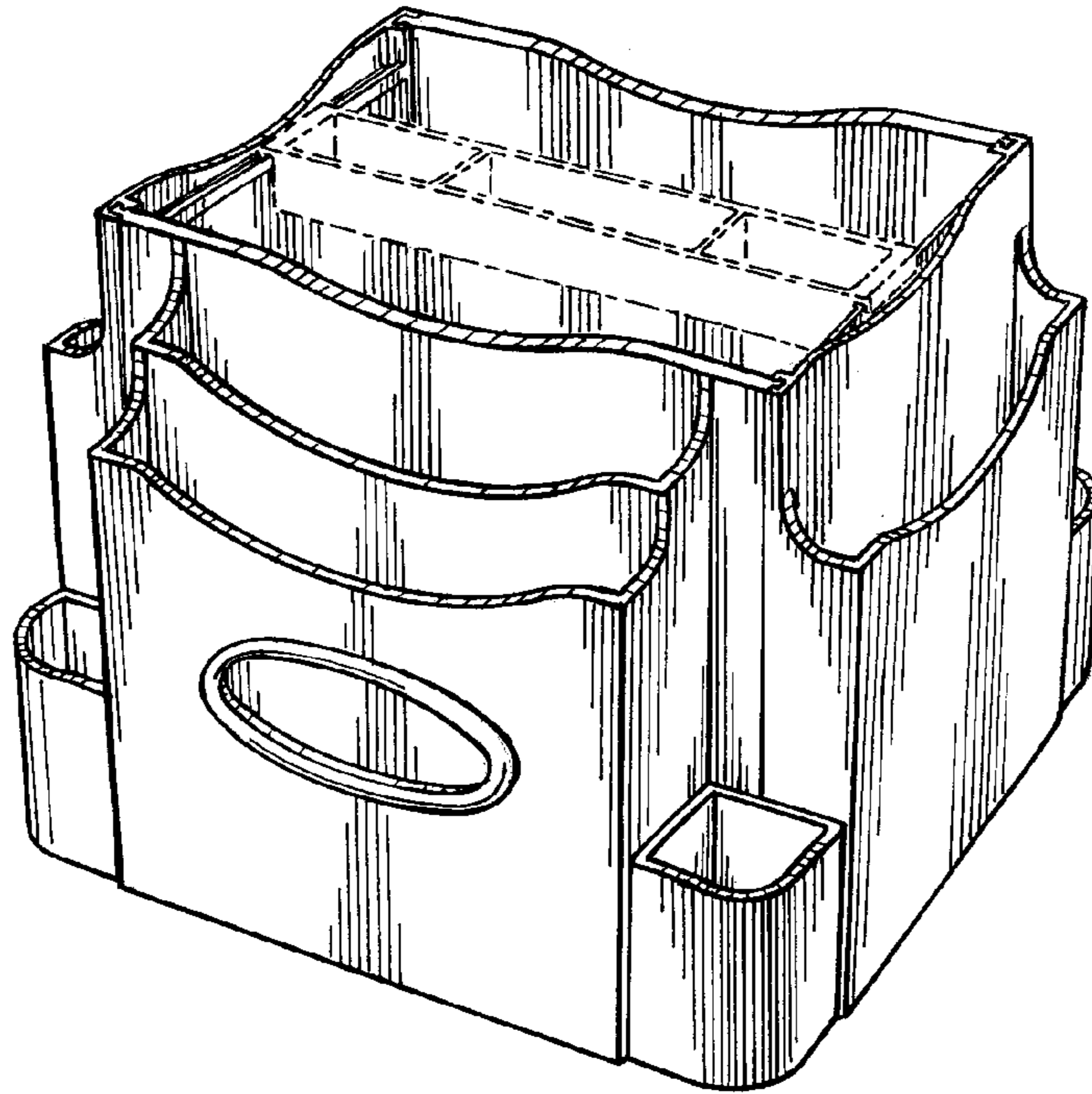


Fig. 1

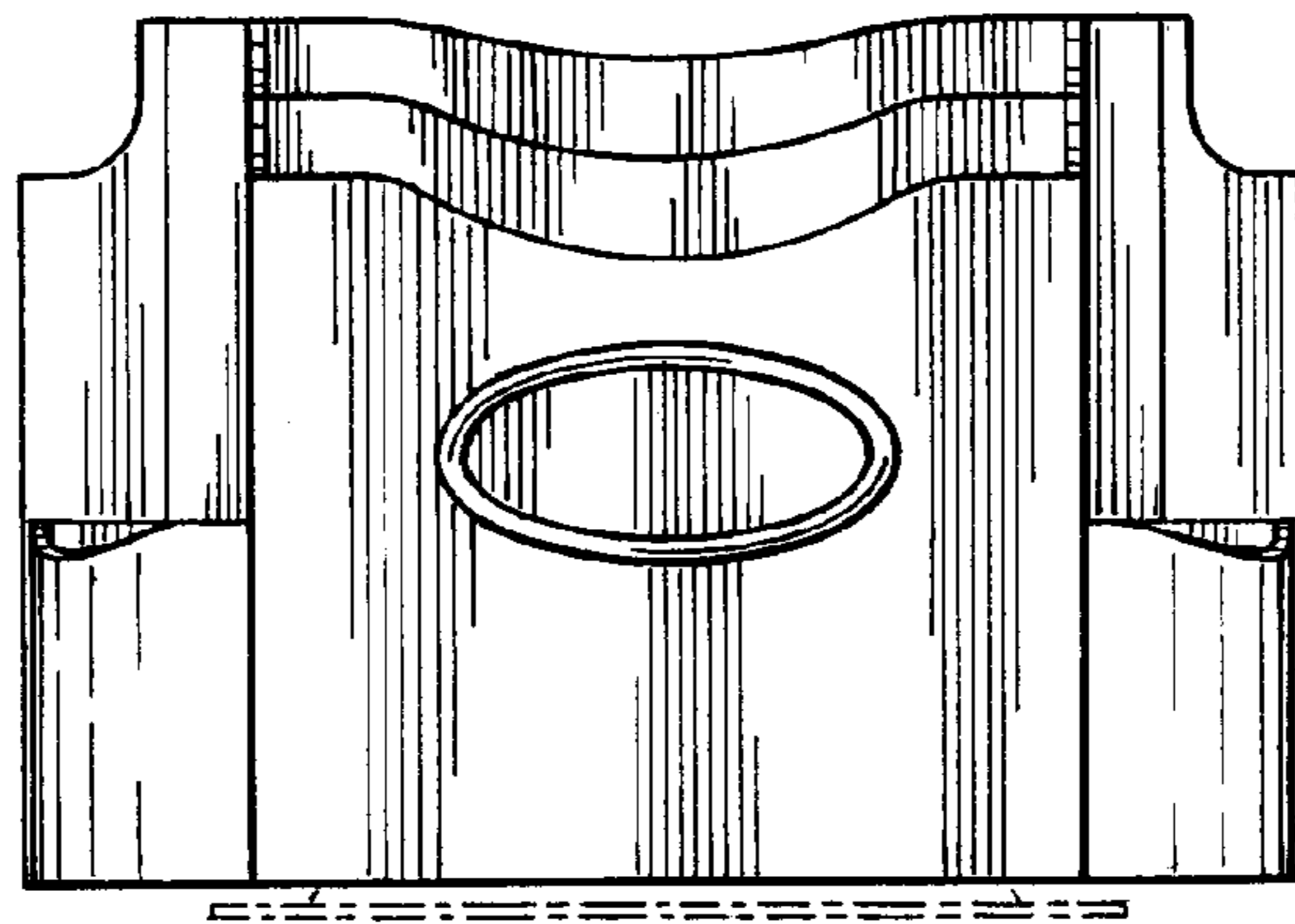


Fig. 2

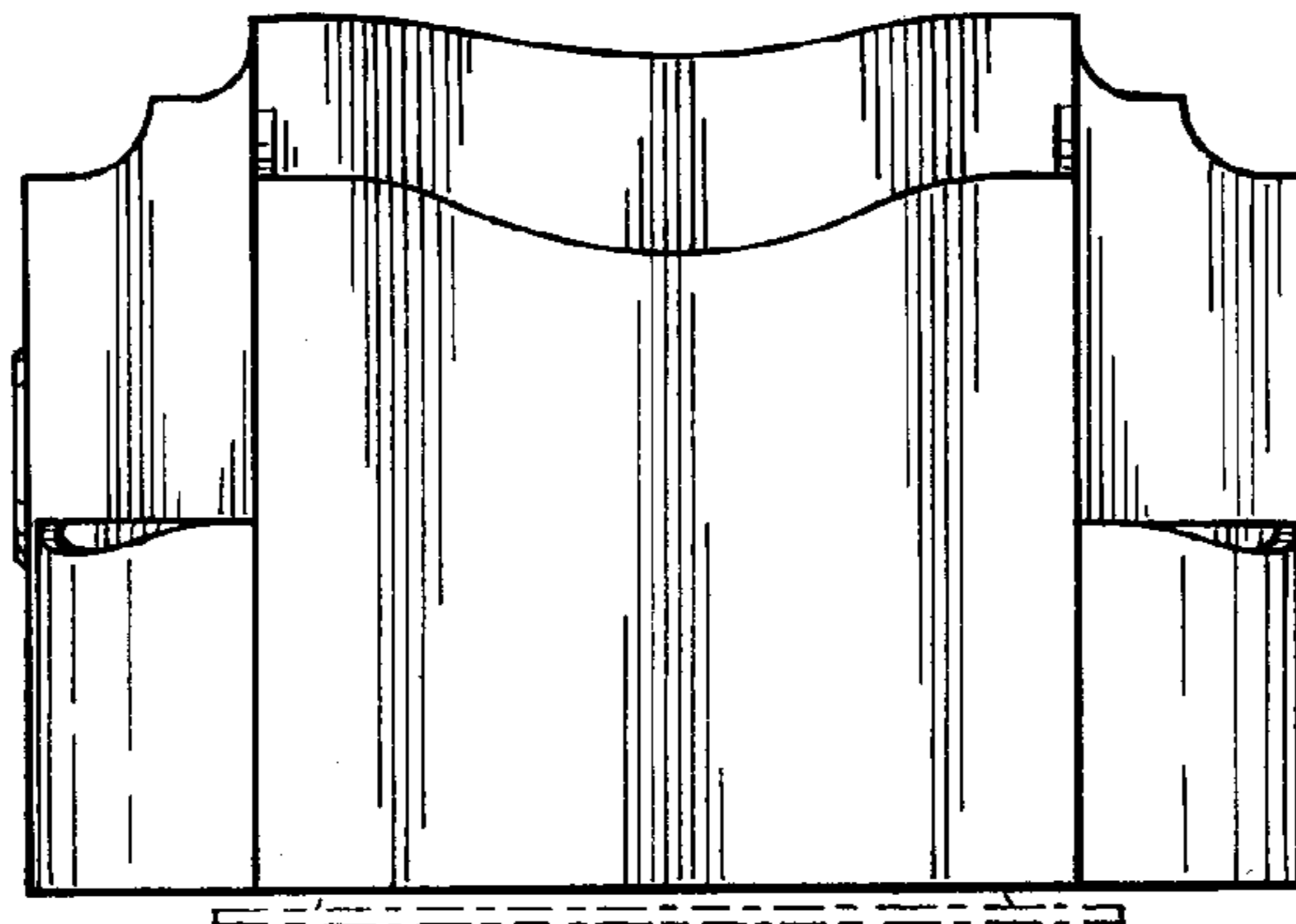


Fig. 3

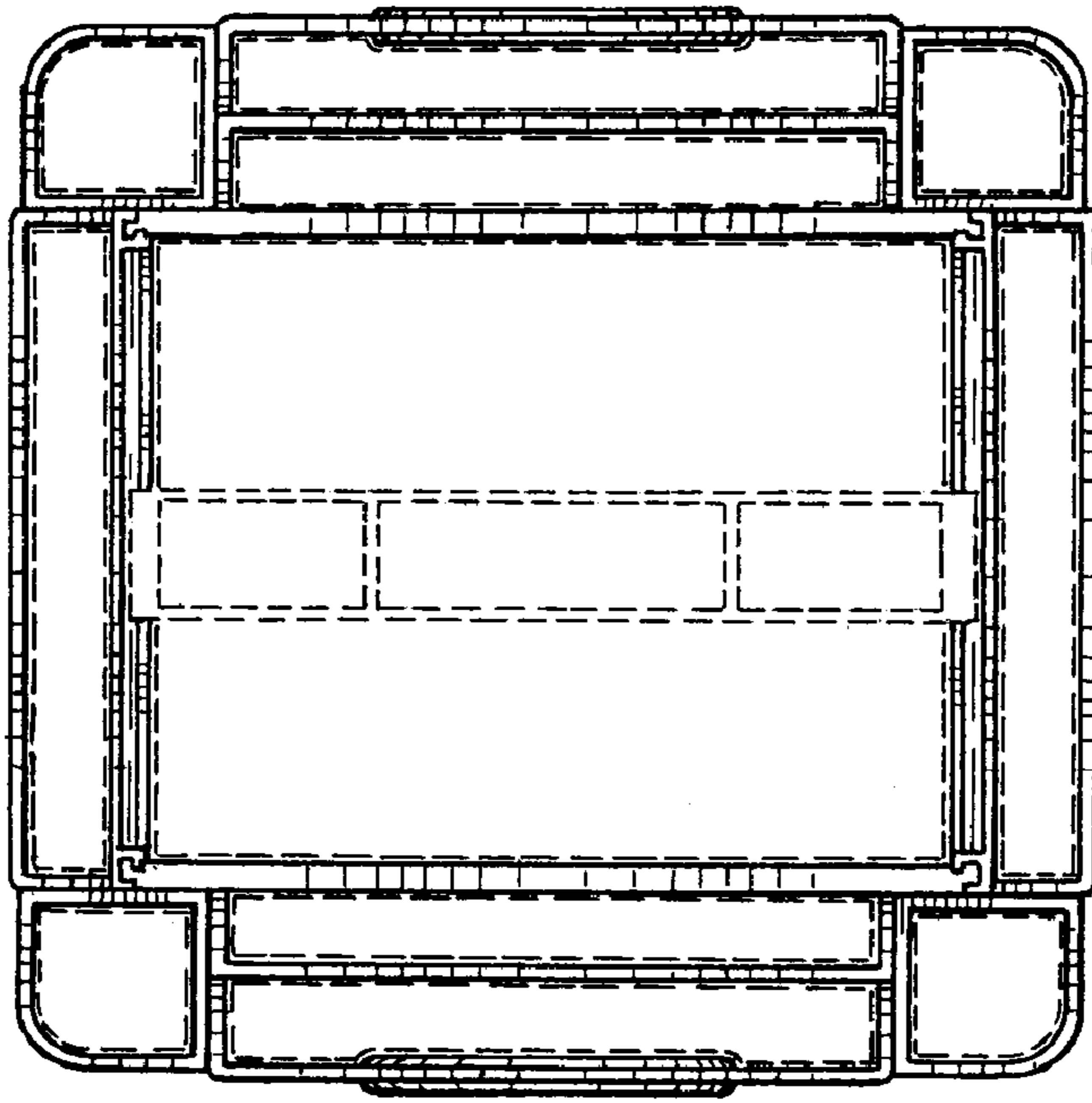


Fig. 4

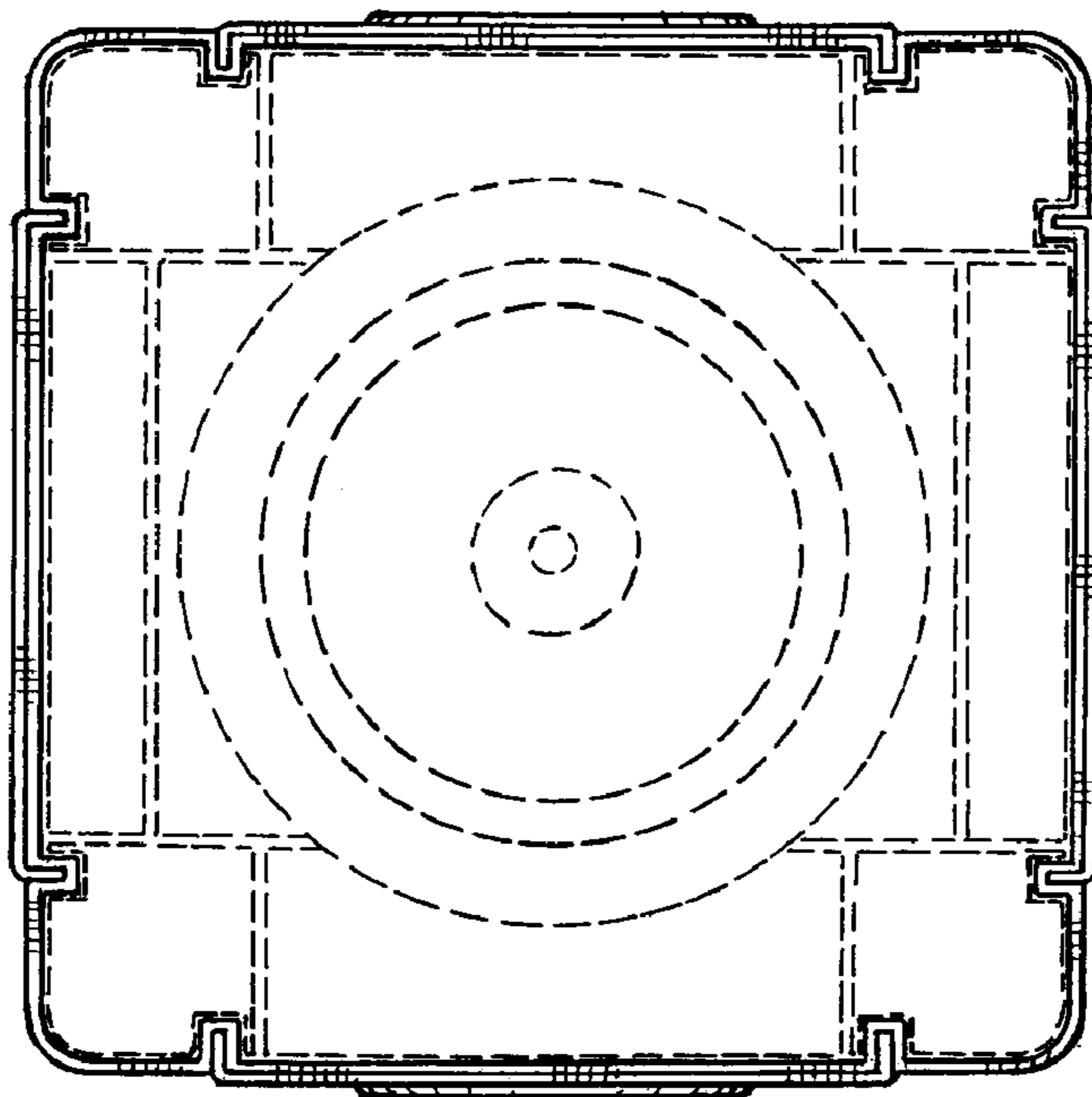


Fig. 5