

US00D531224S

(12) **United States Design Patent**
Gullicks et al.

(10) **Patent No.:** **US D531,224 S**

(45) **Date of Patent:** **** Oct. 31, 2006**

(54) **COVER FOR A TAPE DISPENSER**

D475,744 S 6/2003 De Man et al.

D491,985 S 6/2004 Mueller et al.

6,789,594 B1 9/2004 Chen et al.

(75) Inventors: **Scott D. Gullicks**, Apple Valley, MN
(US); **Joy A. Packard**, Somerset, WI
(US)

* cited by examiner

(73) Assignee: **3M Innovative Properties Company**,
St. Paul, MN (US)

Primary Examiner—Elizabeth A. Albert

(74) *Attorney, Agent, or Firm*—Trisha D. Adamson

(**) Term: **14 Years**

(57) **CLAIM**

(21) Appl. No.: **29/222,026**

The ornamental design for a cover for a tape dispenser, as shown and described.

(22) Filed: **Jan. 25, 2005**

DESCRIPTION

(51) **LOC (8) Cl.** **19-02**

(52) **U.S. Cl.** **D19/69**

(58) **Field of Classification Search** D19/67,
D19/68, 69, 70; 156/523, 527, 577; 206/411;
225/6, 11, 19, 25, 26, 39, 56, 77; 242/588.1,
242/588.2, 588.3, 588.6

See application file for complete search history.

FIG. 1 is a perspective view of a cover for a tape dispenser according to the present invention;

FIG. 2 is a front view of the cover for a tape dispenser of FIG. 1;

FIG. 3 is a rear view of the cover for a tape dispenser of FIG. 1;

FIG. 4 is a top plan view of the cover for a tape dispenser of FIG. 1;

FIG. 5 is a bottom plan view of the cover for a tape dispenser of FIG. 1; and,

FIG. 6 is a right side view of the cover for a tape dispenser of FIG. 1, the left side view being a mirror image thereof.

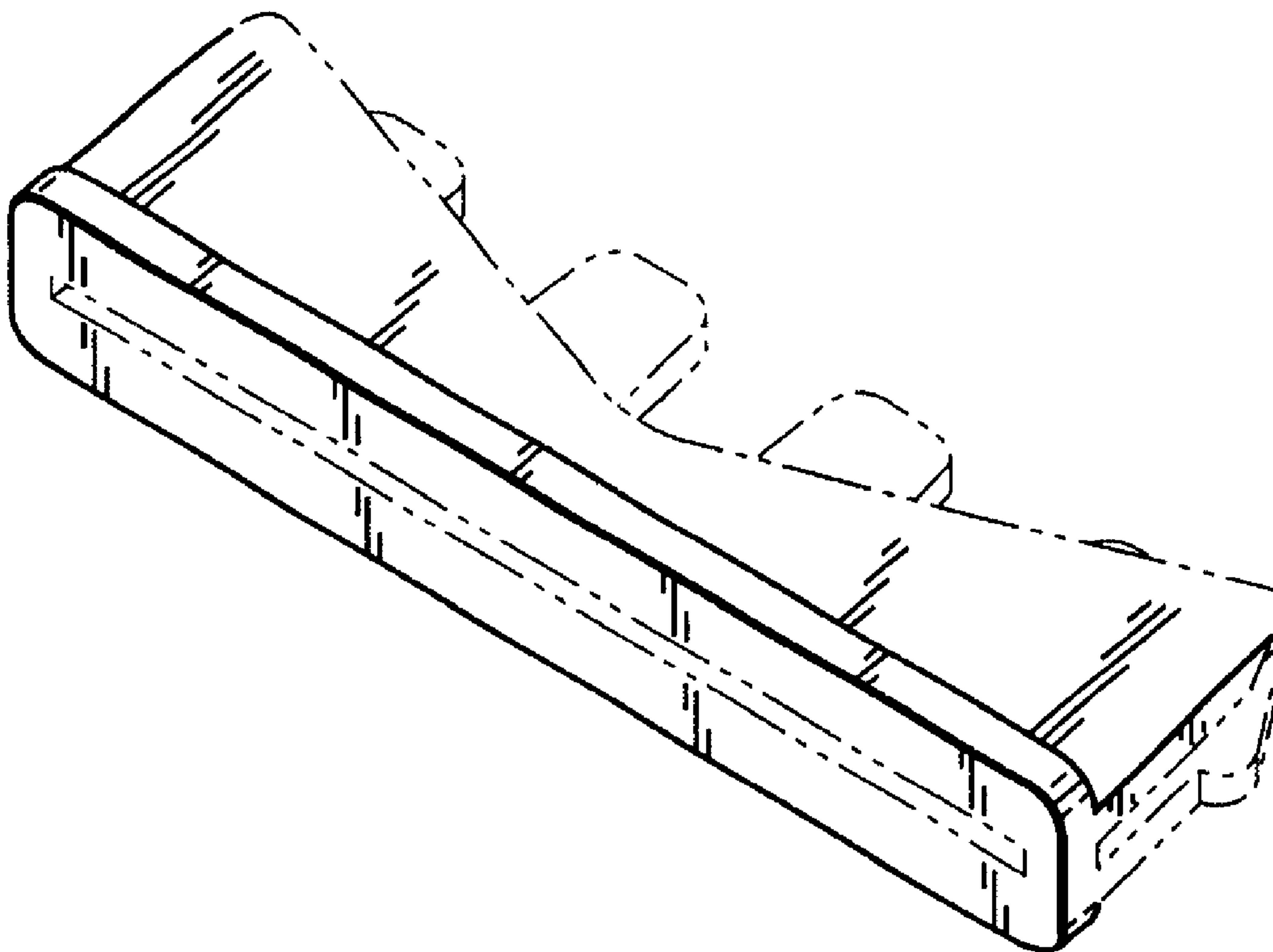
The structure depicted by means of broken lines in the figures has been shown for illustrative purposes only and forms no part of the claimed design.

(56) **References Cited**

U.S. PATENT DOCUMENTS

D170,456 S	*	9/1953	Gershen	D8/98
4,954,210 A	*	9/1990	Desmond	156/584
D331,943 S	*	12/1992	Mark	D19/99
5,759,342 A		6/1998	Luhman et al.		
D449,858 S		10/2001	Liu		
D454,911 S		3/2002	Carlson et al.		
D463,825 S		10/2002	Carlson et al.		

1 Claim, 1 Drawing Sheet



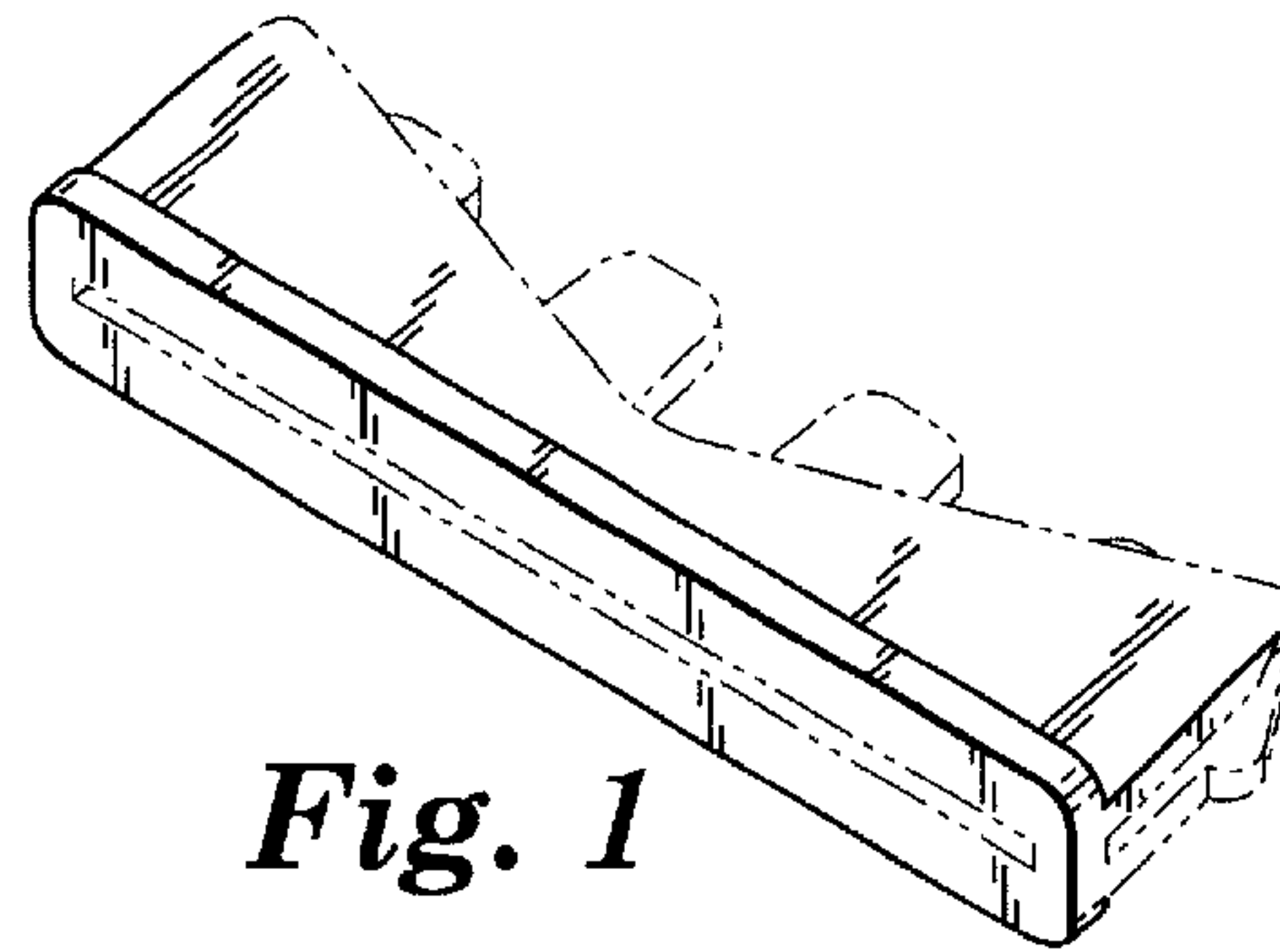


Fig. 1

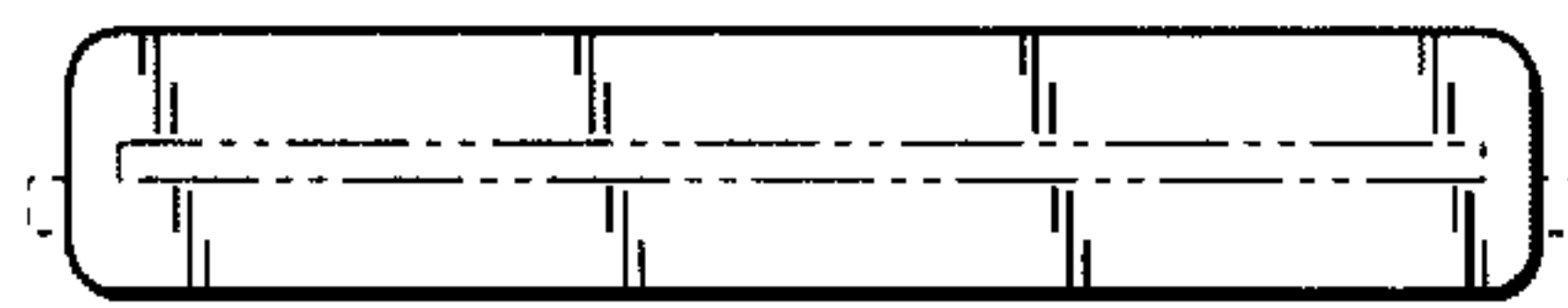


Fig. 2



Fig. 3

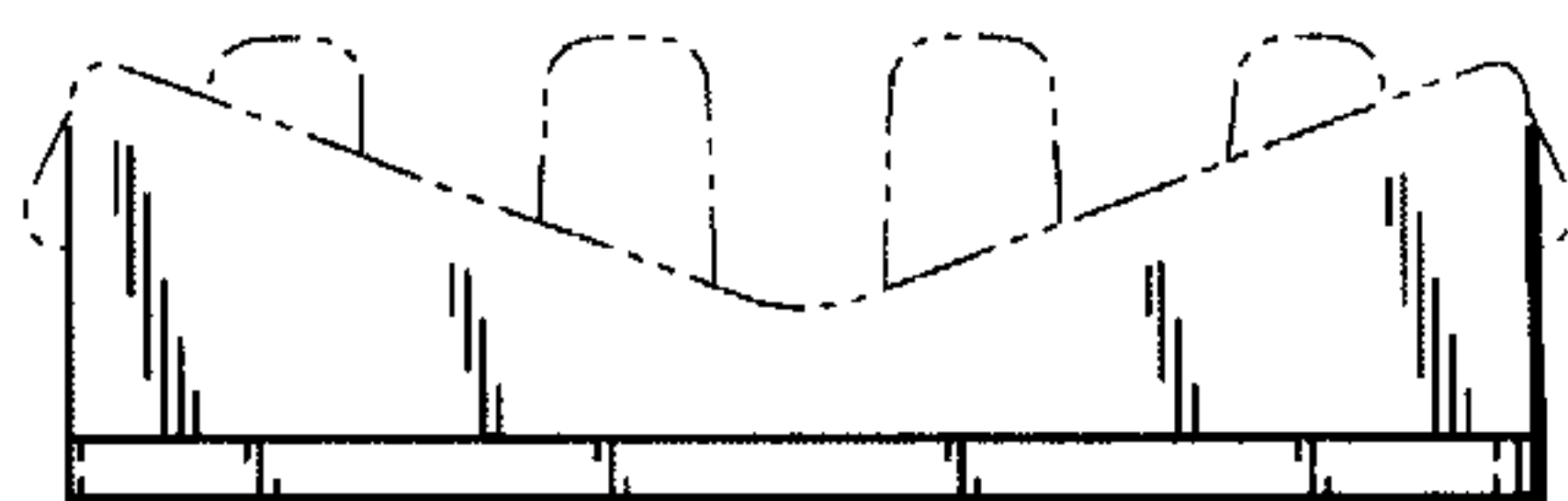


Fig. 4

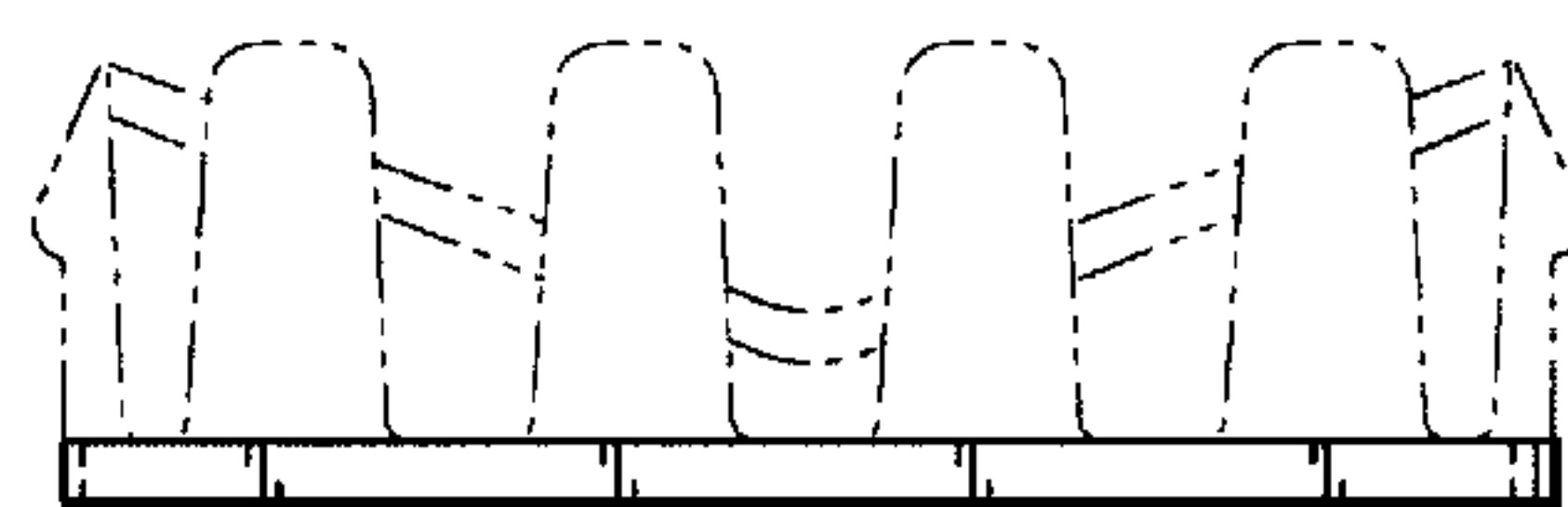


Fig. 5

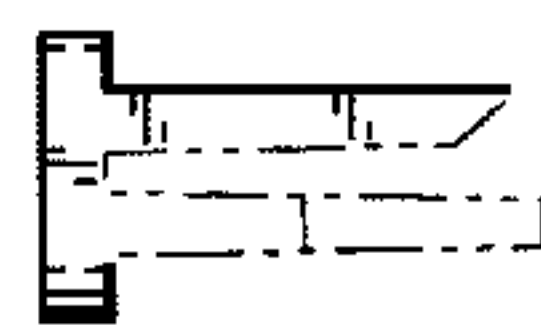


Fig. 6