



US00D531220S

(12) **United States Design Patent**
Lira-Núñez

(10) **Patent No.:** **US D531,220 S**

(45) **Date of Patent:** **** Oct. 31, 2006**

(54) **WRITING GUIDE**

(75) Inventor: **Carmen Lira-Núñez**, St. Cloud, MN
(US)

(73) Assignee: **The Antioch Company**, Yellow
Springs, OH (US)

(**) Term: **14 Years**

(21) Appl. No.: **29/221,873**

(22) Filed: **Jan. 19, 2005**

(51) **LOC (8) Cl.** **19-06**

(52) **U.S. Cl.** **D19/59**

(58) **Field of Classification Search** D19/35-40,
D19/59-64; 33/485, 492, 566; 434/117, 162-166
See application file for complete search history.

(56) **References Cited**

U.S. PATENT DOCUMENTS

205,795	A	*	7/1878	Green	33/566
708,355	A	*	9/1902	Hartley	33/485
965,945	A	*	8/1910	Roman	33/566
D137,340	S	*	2/1944	Lozier	D19/37
2,507,073	A	*	5/1950	White	D19/36
2,562,479	A	*	7/1951	Spikes	434/117
D202,654	S	*	10/1965	Carls	D19/37
3,386,191	A	*	6/1968	Michel	434/117

3,949,492	A	*	4/1976	Less	434/117
D266,857	S		11/1982	Greenlees		
4,679,328	A	*	7/1987	Saad	33/566
5,337,484	A		8/1994	Cardon		
5,813,127	A	*	9/1998	Blevins	33/492
D426,851	S	*	6/2000	Carroll	D19/37
6,536,126	B1		3/2003	Wilson		

* cited by examiner

Primary Examiner—Robert A. Delehanty

Assistant Examiner—Mark Cavanna

(74) *Attorney, Agent, or Firm*—Gray, Plant, Mooty, Mooty
& Bennett, P.A.

(57) **CLAIM**

I claim the ornamental design for a writing guide, as shown
and described.

DESCRIPTION

FIG. 1 is a perspective view of a writing guide showing my
new design;

FIG. 2 is a front view thereof;

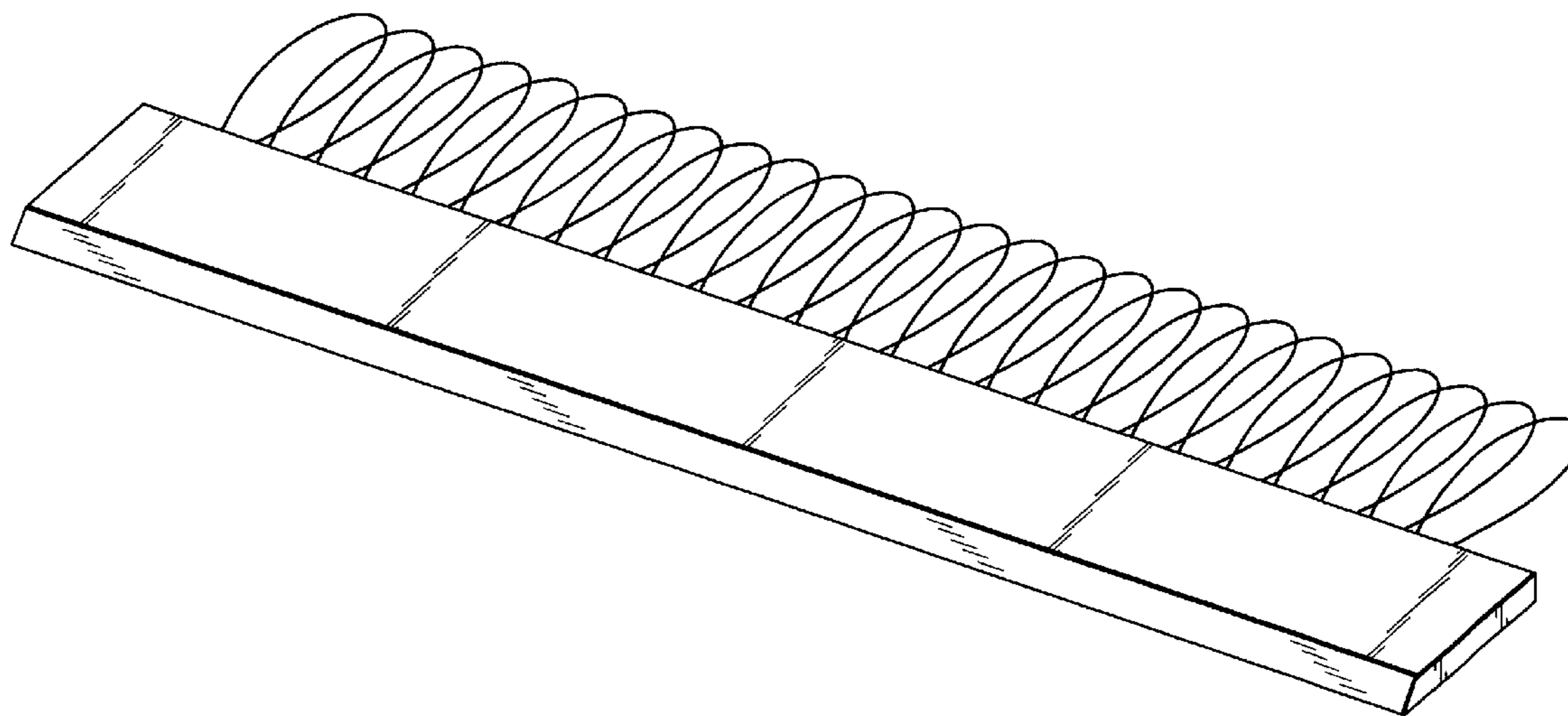
FIG. 3 is a back view thereof;

FIG. 4 is a top view thereof;

FIG. 5 is a bottom view thereof; and,

FIG. 6 is a left side view with the opposite being a mirror
image thereof.

1 Claim, 3 Drawing Sheets



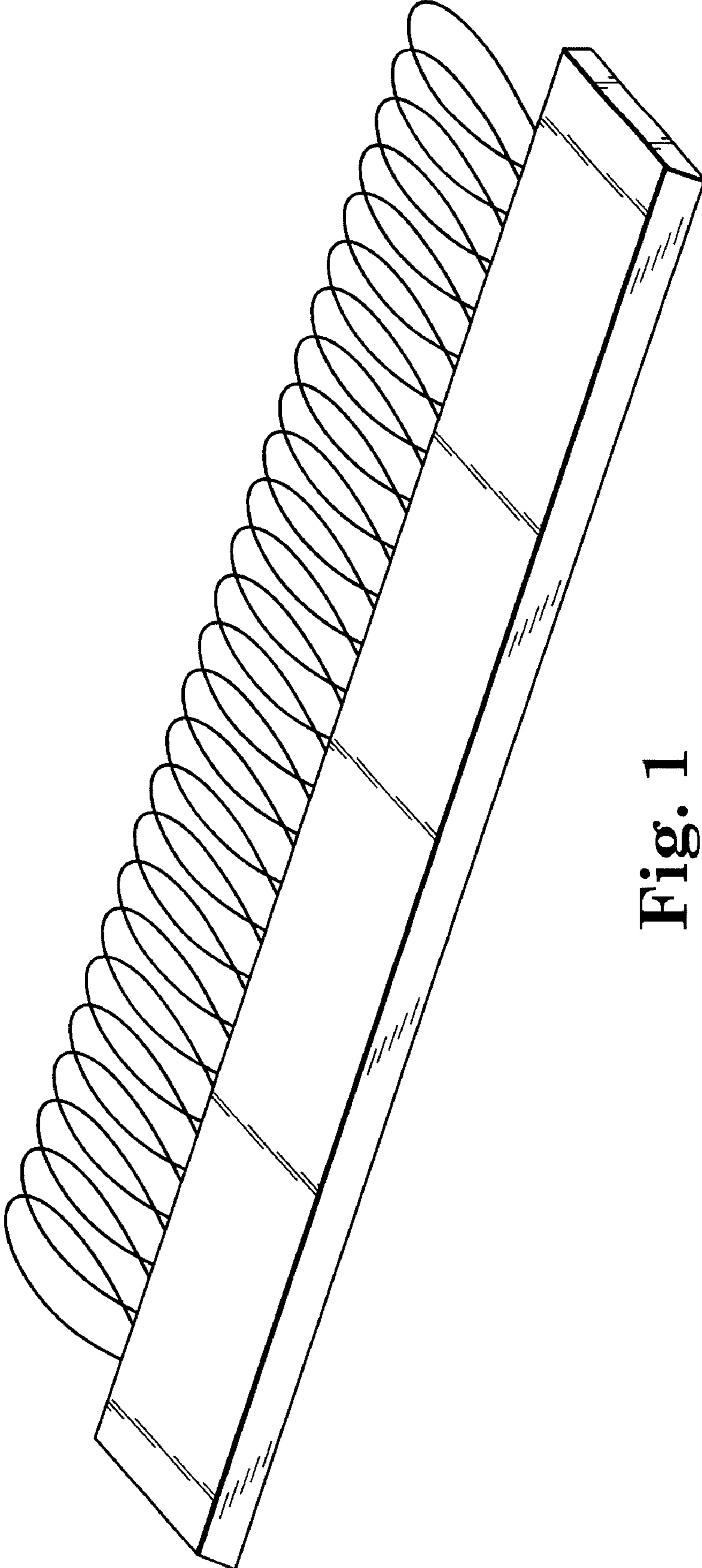


Fig. 1

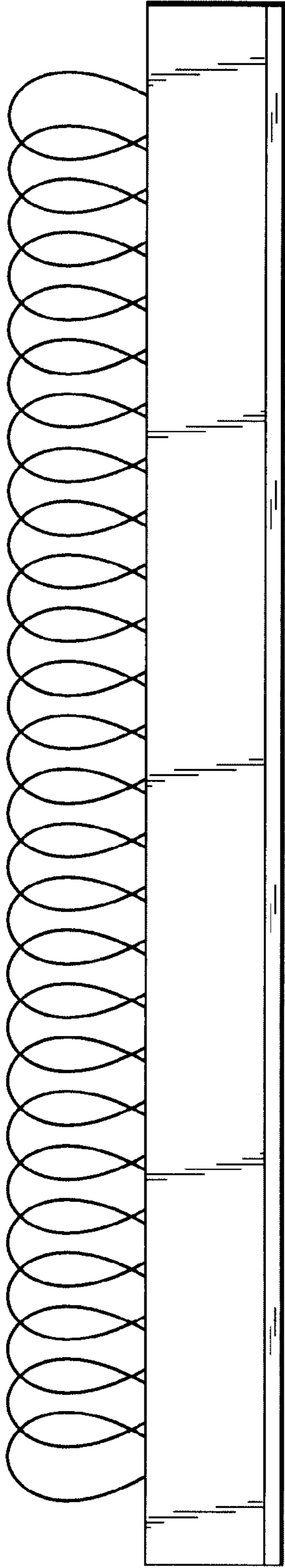


Fig. 2

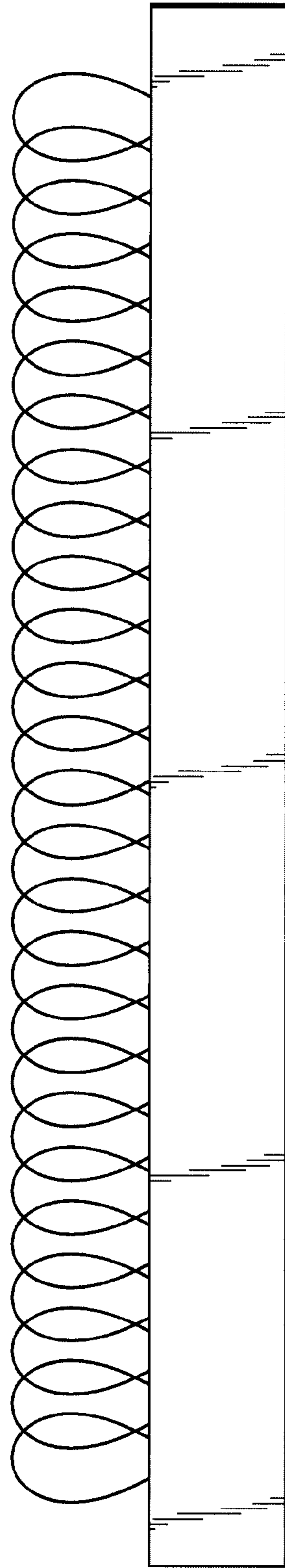


Fig. 3



Fig. 4



Fig. 5



Fig. 6