



US00D531216S

(12) **United States Design Patent**  
**Oas**

(10) **Patent No.:** **US D531,216 S**  
(45) **Date of Patent:** **\*\* Oct. 31, 2006**

(54) **CARABINEER LIGHT PEN**  
(75) Inventor: **Daniel Oas**, Irwindale, CA (US)  
(73) Assignee: **Calibre International, LLC**, Irwindale, CA (US)  
(\*\*) Term: **14 Years**

6,238,057 B1 \* 5/2001 Chen ..... 362/118  
D443,370 S \* 6/2001 Yu ..... D26/37  
D449,650 S \* 10/2001 Verhaeghe ..... D19/43  
D480,757 S \* 10/2003 Kennedy ..... D19/54  
D495,073 S \* 8/2004 Kumthampinij et al. .... D26/37  
D495,362 S \* 8/2004 Qiu ..... D19/43  
D495,363 S \* 8/2004 Qiu ..... D19/51  
D507,016 S \* 7/2005 Koch ..... D19/36

(21) Appl. No.: **29/224,145**  
(22) Filed: **Feb. 24, 2005**  
(51) **LOC (8) Cl.** ..... **19-06**  
(52) **U.S. Cl.** ..... **D19/36; D26/38**  
(58) **Field of Classification Search** ..... D8/356,  
D8/367; D19/36, 37, 41-51, 54-5; 24/11 R,  
24/11 F, 11 P, 599.1, 599.6, 599.9; 401/52,  
401/99, 100, 104-109, 192, 195; D26/37,  
D26/38

See application file for complete search history.

(56) **References Cited**

**U.S. PATENT DOCUMENTS**

D159,125 S \* 6/1950 Weustman ..... D19/48  
D200,385 S \* 2/1965 Tilnsley ..... D28/7  
D366,498 S \* 1/1996 Abe et al. .... D19/51  
D409,658 S \* 5/1999 Chevalier et al. .... D19/51  
D416,941 S \* 11/1999 Chevalier et al. .... D19/51  
D421,141 S \* 2/2000 Lo ..... D26/38  
6,164,856 A \* 12/2000 Lo ..... 401/52

\* cited by examiner

*Primary Examiner*—Elizabeth A. Albert  
(74) *Attorney, Agent, or Firm*—The Soni Law Firm

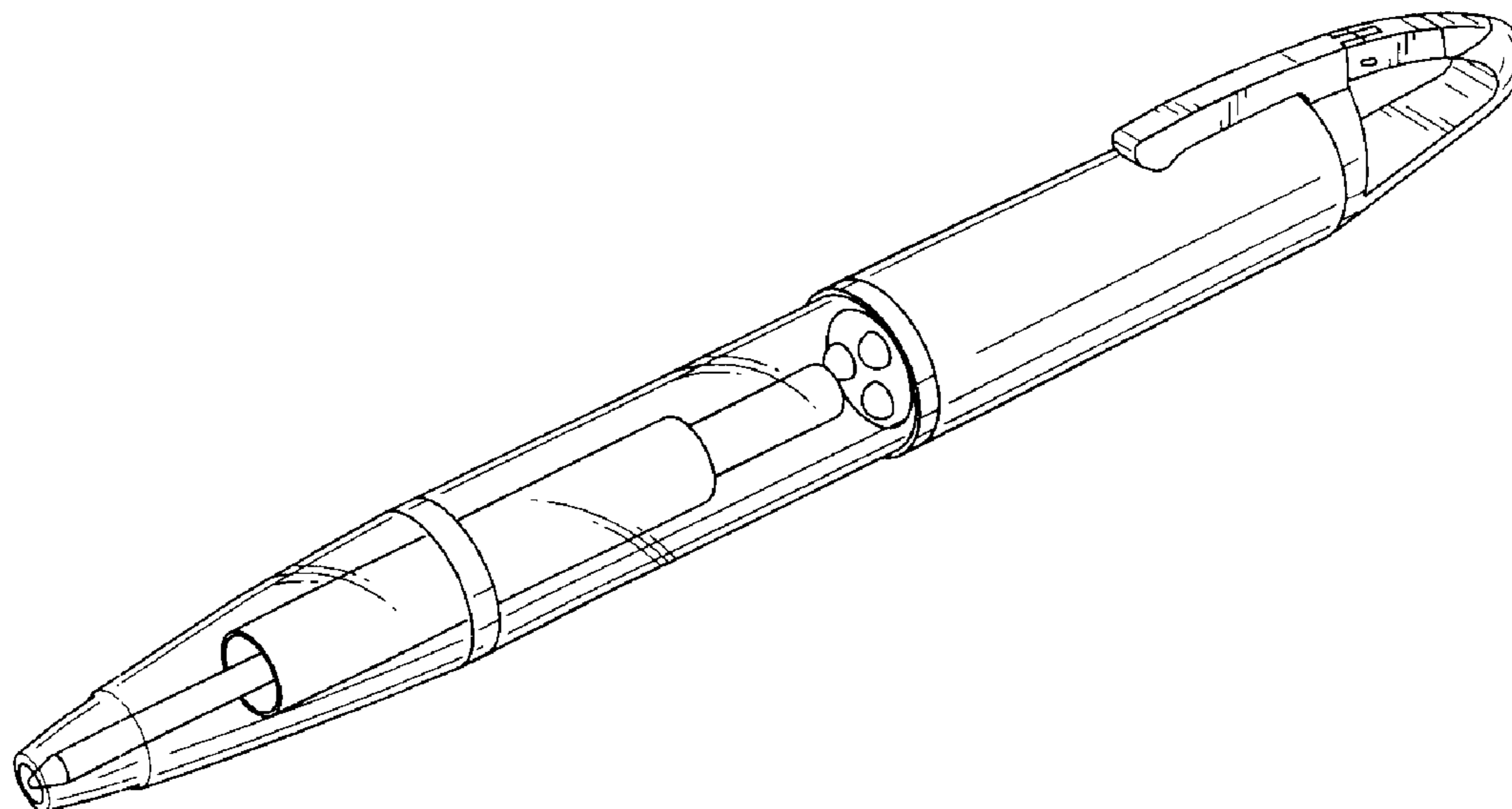
(57) **CLAIM**

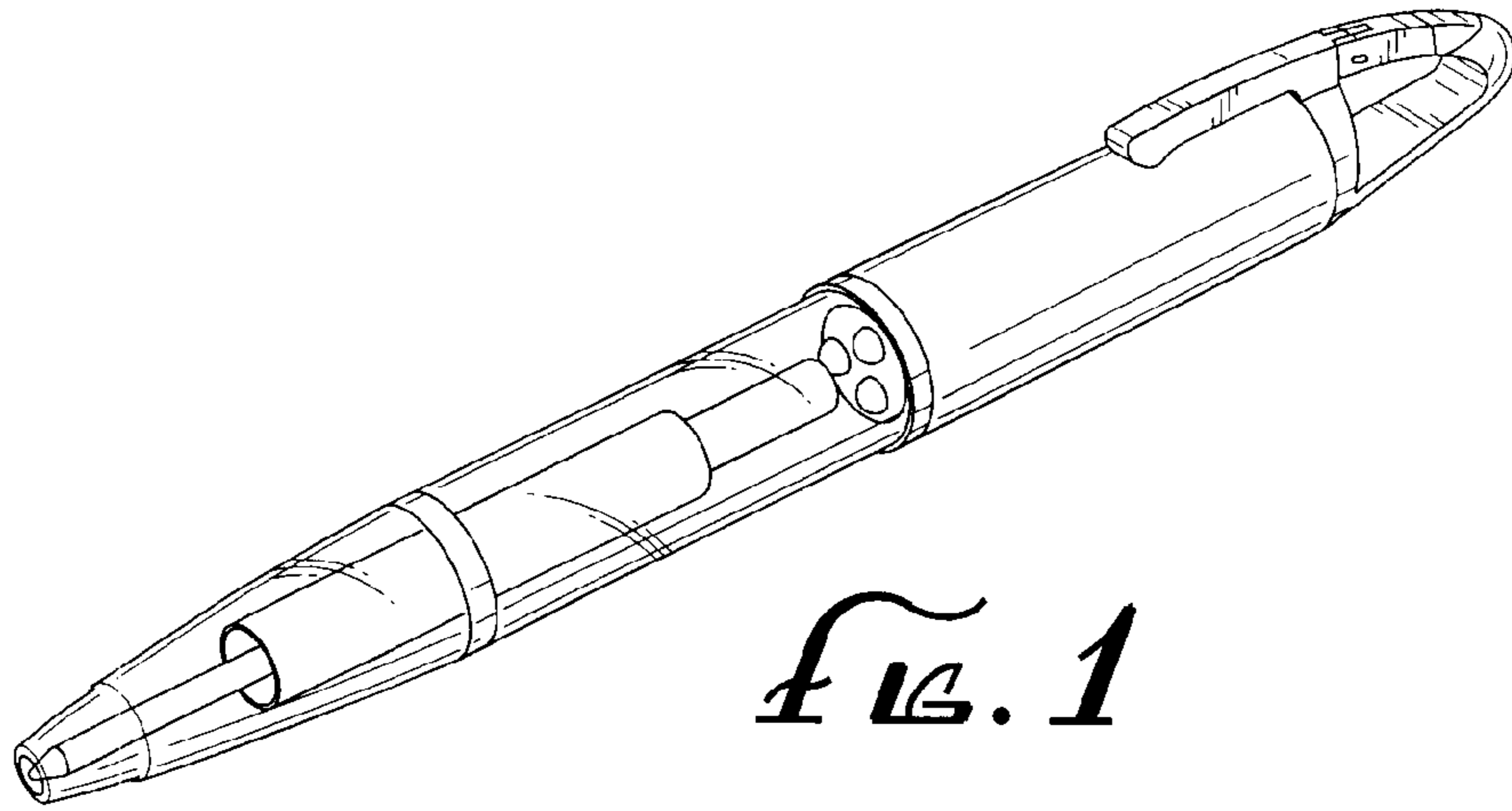
The ornamental design for a carabineer light pen, as shown and described.

**DESCRIPTION**

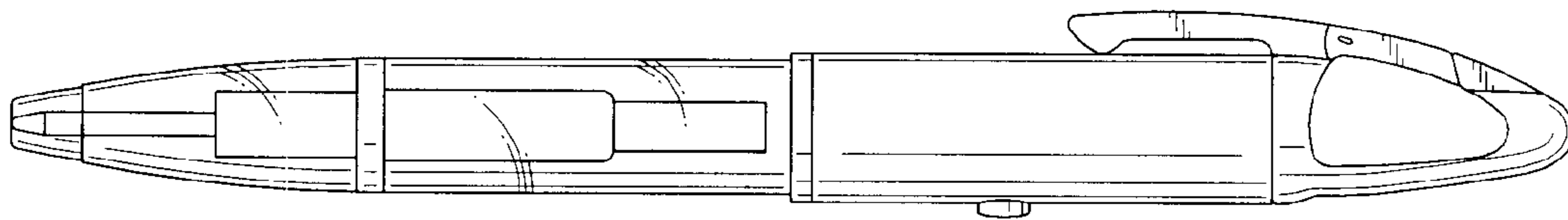
FIG. 1 is a front perspective view of a carabineer light pen; FIG. 2 is a right side view of the carabineer light pen of FIG. 1; FIG. 3 is a front elevation view of the carabineer light pen of FIG. 1; FIG. 4 is a rear view of the carabineer light pen of FIG. 1; FIG. 5 is a bottom plan view of the carabineer light pen of FIG. 1; and, FIG. 6 is a top plan view of the carabineer light pen of FIG. 1.

**1 Claim, 2 Drawing Sheets**

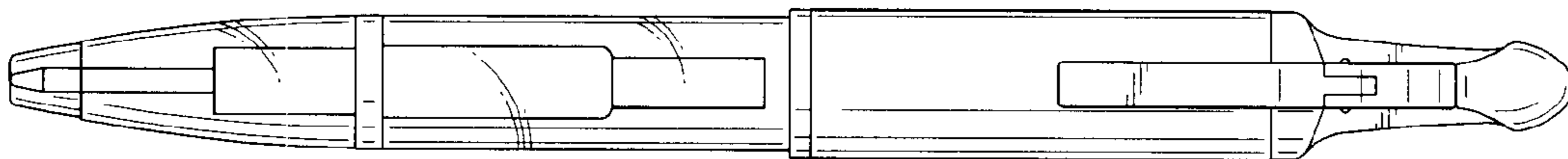




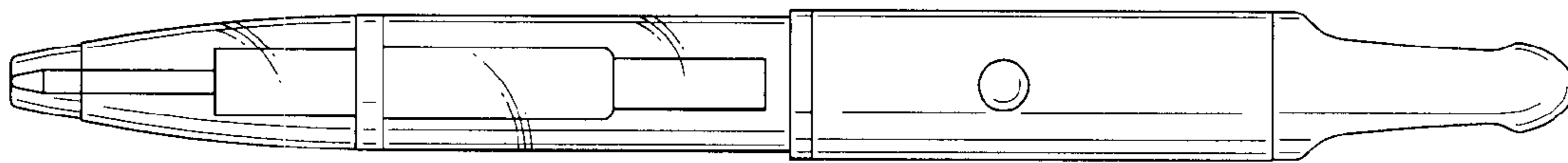
*FIG. 1*



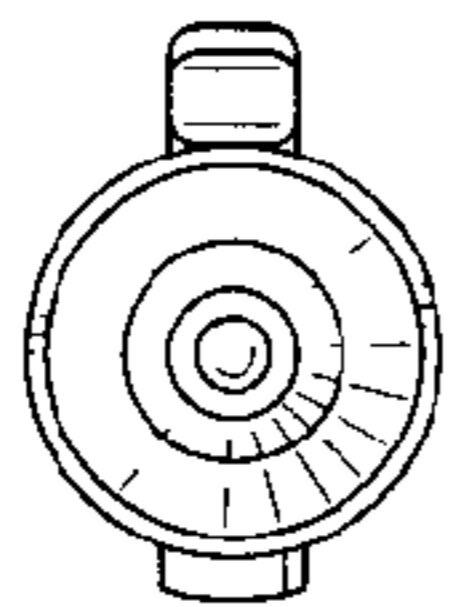
*FIG. 2*



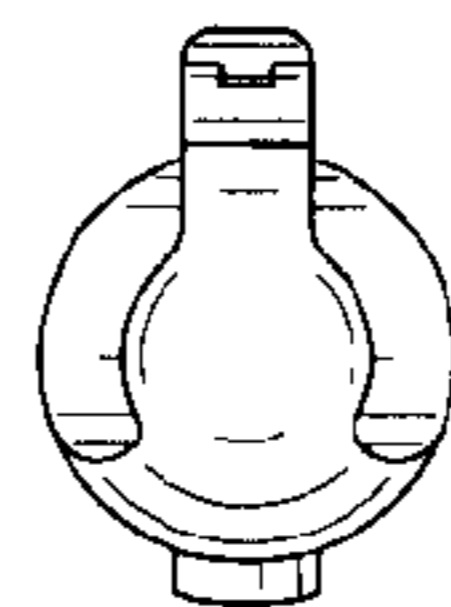
*FIG. 3*



*FIG. 4*



*FIG. 5*



*FIG. 6*