



US00D531214S

(12) **United States Design Patent**
King et al.

(10) **Patent No.:** **US D531,214 S**

(45) **Date of Patent:** **** Oct. 31, 2006**

(54) **SUPPORT STAND FOR A PRINTER**

(75) Inventors: **Tobin Allen King**, Balmain (AU); **Kia Silverbrook**, Balmain (AU)

(73) Assignee: **Silverbrook Research Pty Ltd**, Balmain (AU)

(**) Term: **14 Years**

(21) Appl. No.: **29/219,501**

(22) Filed: **Dec. 20, 2004**

(51) **LOC (8) Cl.** **18-02**

(52) **U.S. Cl.** **D18/59**; D6/474

(58) **Field of Classification Search** D18/48,
D18/59; D19/90; D6/436, 468, 473-479;
211/13.1, 52, 55, 72

See application file for complete search history.

(56) **References Cited**

U.S. PATENT DOCUMENTS

D309,631 S	*	7/1990	Tanizawa et al.	D18/48
D314,974 S	*	2/1991	Peart	D18/59
D320,809 S	*	10/1991	Hiroki	D18/48
D340,156 S	*	10/1993	Bonazza et al.	D6/476
D396,878 S	*	8/1998	Senshiki et al.	D18/48

D396,879 S	*	8/1998	Senshiki et al.	D18/48
D402,131 S	*	12/1998	Anderson et al.	D6/408
D402,823 S	*	12/1998	Anderson et al.	D6/408
D403,536 S	*	1/1999	Olson et al.	D6/479
D421,044 S	*	2/2000	Komatsu	D18/48
D421,628 S	*	3/2000	Harris et al.	D19/90
D430,198 S	*	8/2000	Nakada	D18/48

* cited by examiner

Primary Examiner—Cathron C. Brooks

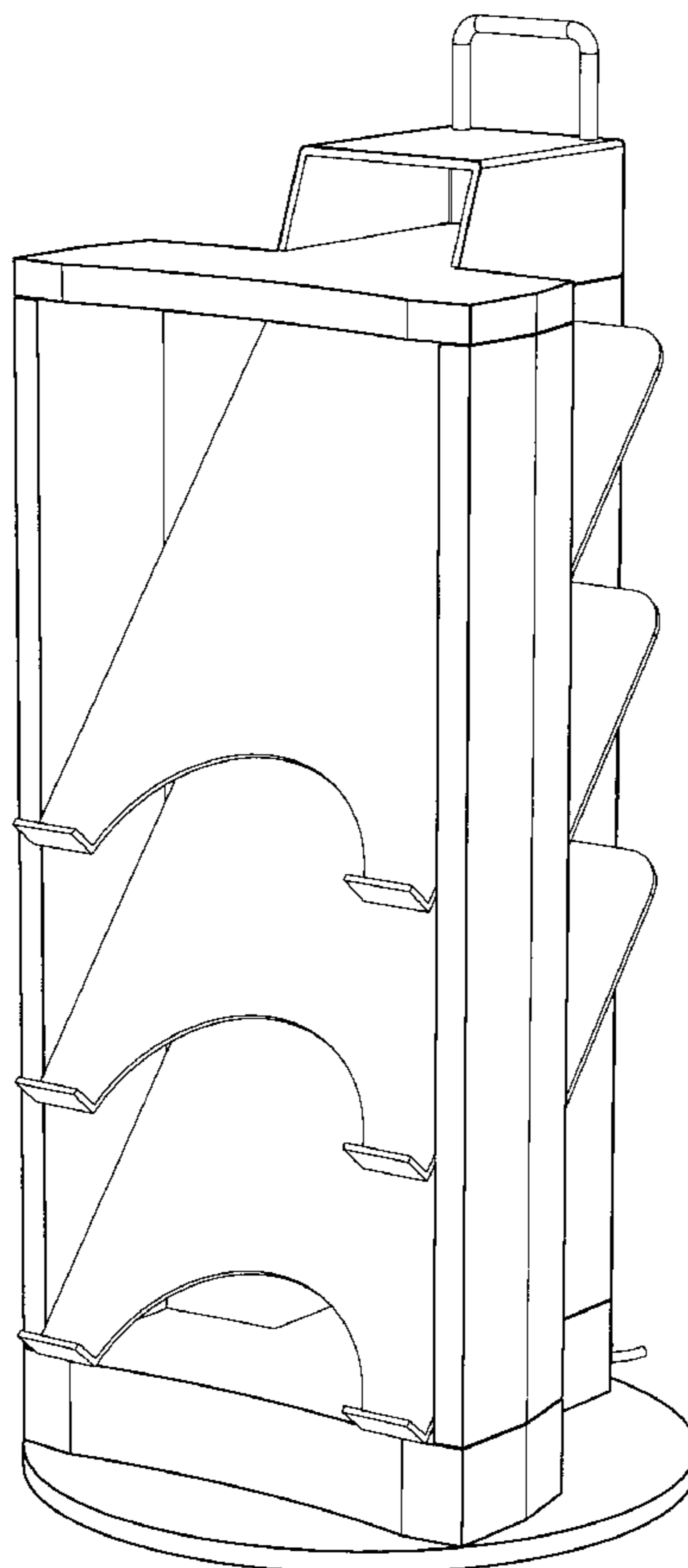
(57) **CLAIM**

The ornamental design for a support stand for a printer, as shown.

DESCRIPTION

FIG. 1 is a front and right side perspective of a support stand for a printer, showing my new design;
FIG. 2 is a rear and left side perspective of the support stand;
FIG. 3 is a front elevation of the support stand;
FIG. 4 is a left elevation of the support stand;
FIG. 5 is a plan view of the support stand;
FIG. 6 is a bottom view of the support stand;
FIG. 7 is a right elevation of the support stand; and,
FIG. 8 is a rear elevation of the support stand.

1 Claim, 8 Drawing Sheets



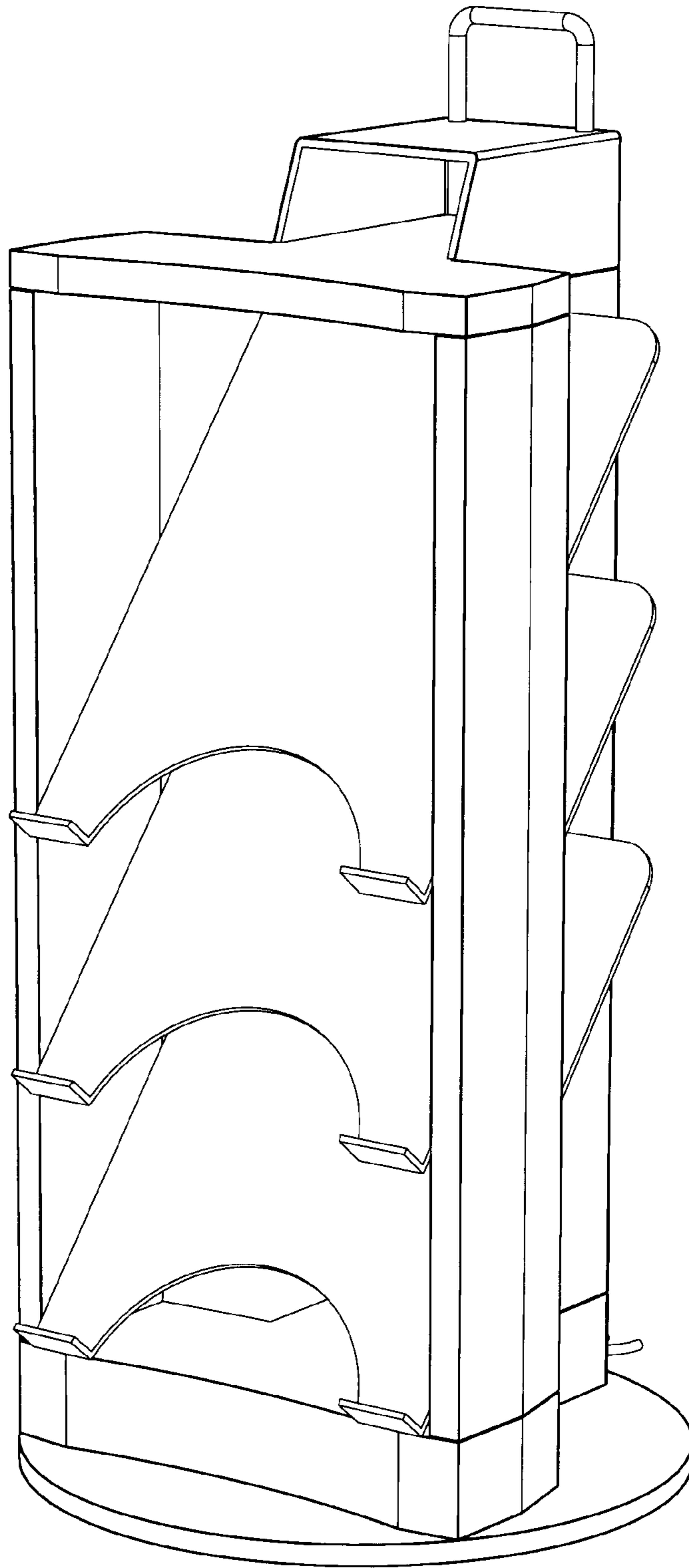


FIG. 1

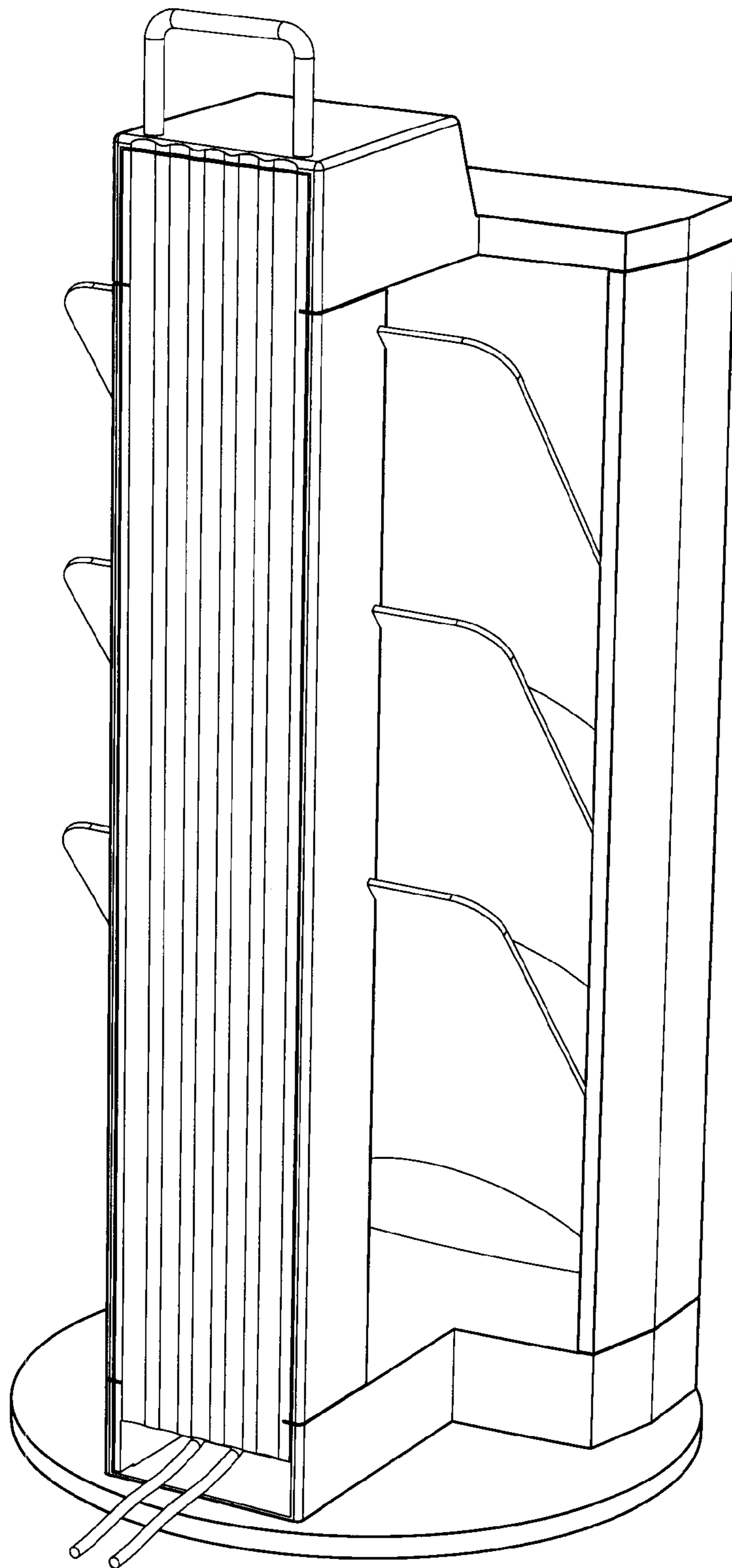


FIG. 2

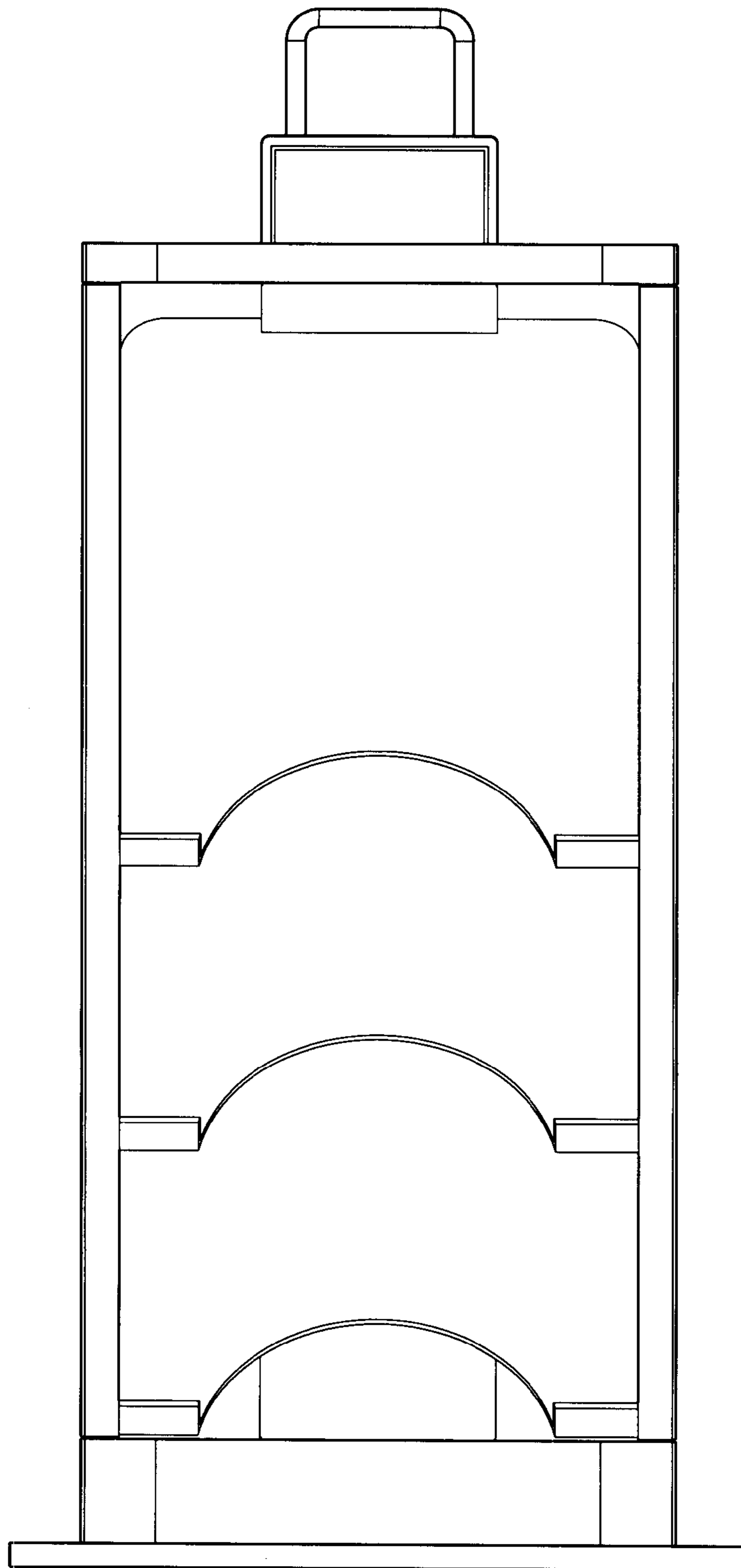


FIG. 3

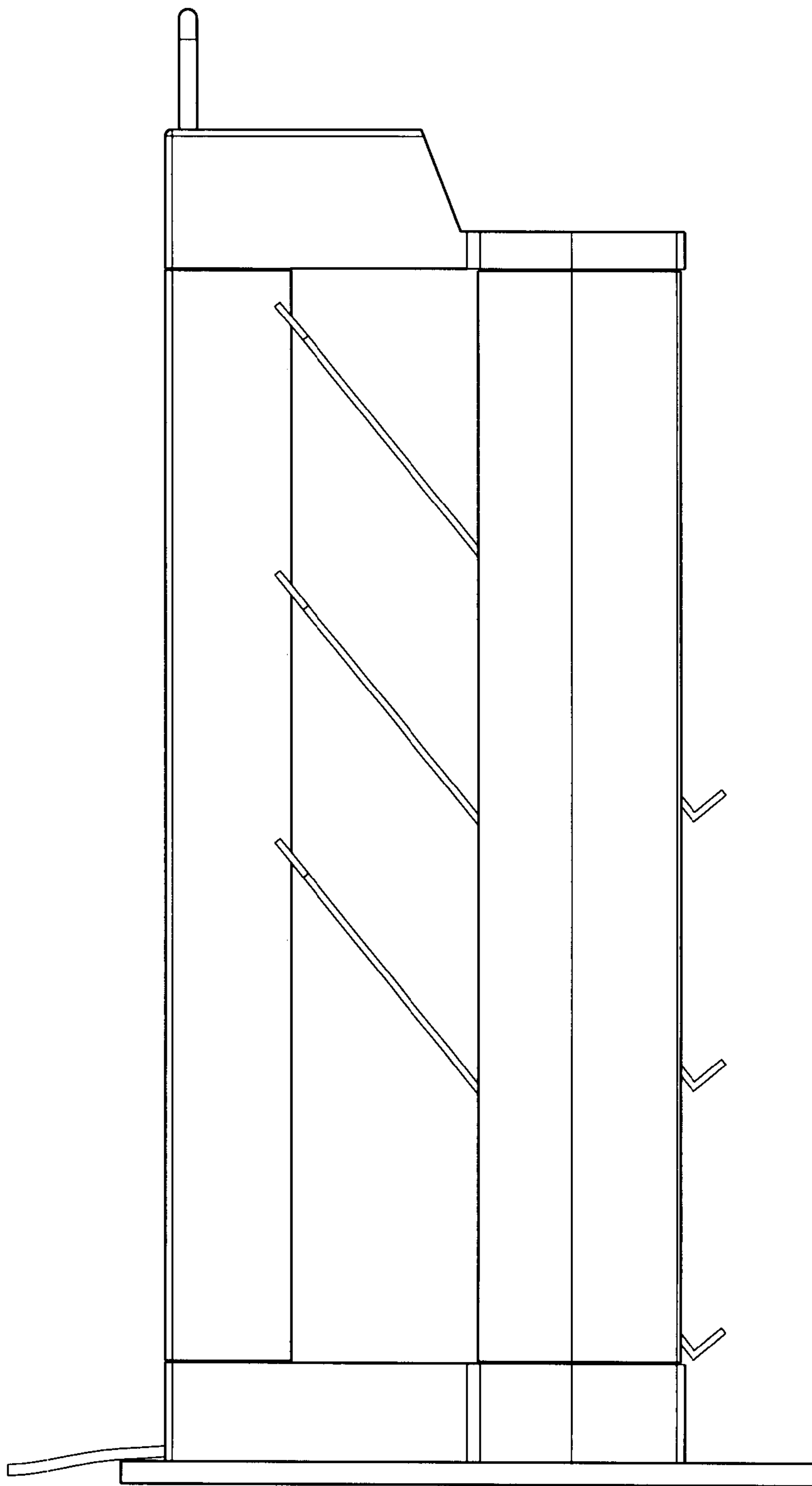


FIG. 4

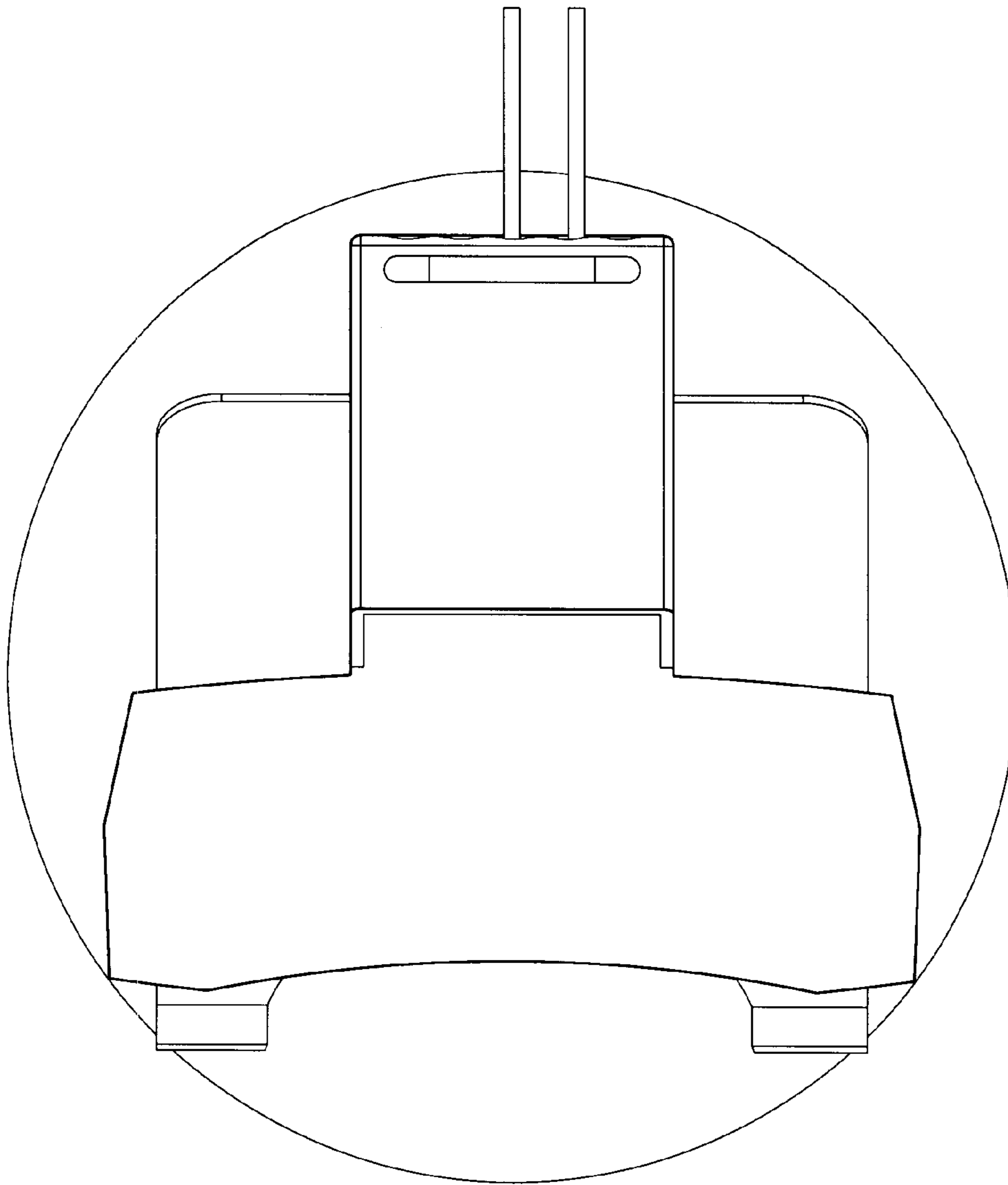


FIG. 5

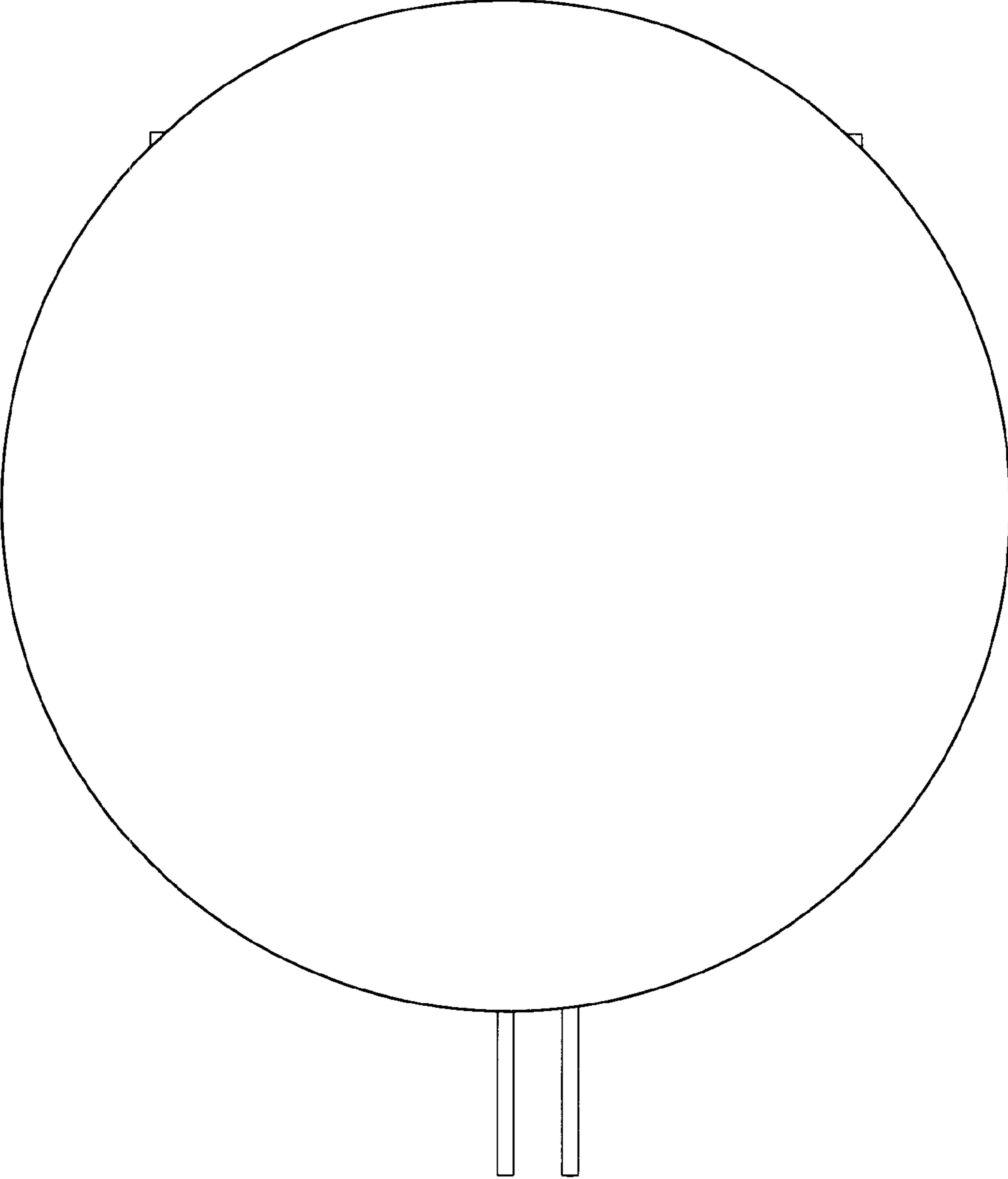


FIG. 6

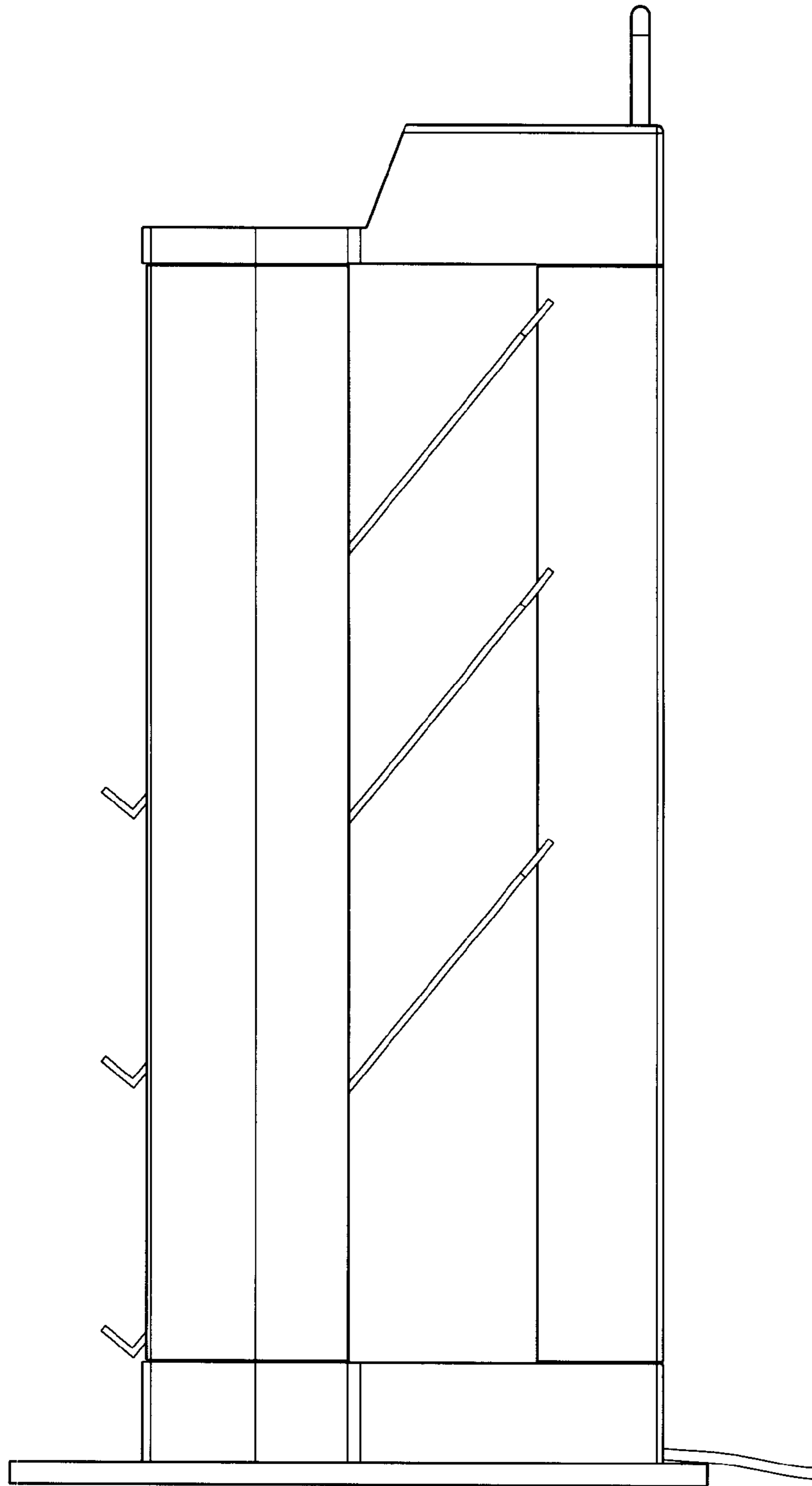


FIG. 7

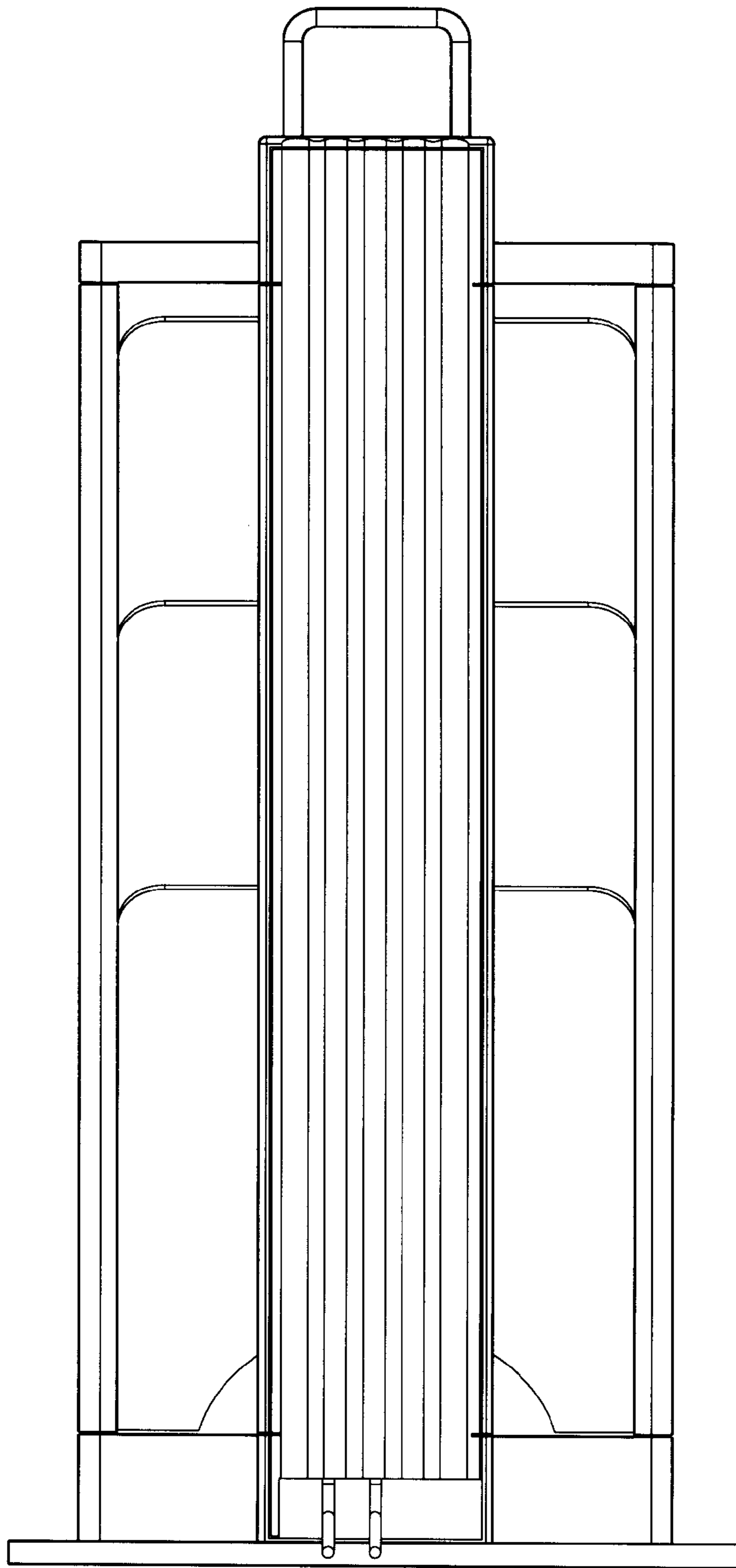


FIG. 8