



US00D531213S

(12) **United States Design Patent**
Hegge

(10) **Patent No.:** **US D531,213 S**
(45) **Date of Patent:** **** Oct. 31, 2006**

(54) **INK SUPPLY CARTRIDGE**

(75) Inventor: **Frans Hegge**, Hamont-Achel (BE)

(73) Assignee: **AGFA-Gevaert, N.V.**, Mortsel (BE)

(**) Term: **14 Years**

(21) Appl. No.: **29/232,391**

(22) Filed: **Jun. 17, 2005**

(30) **Foreign Application Priority Data**

Dec. 20, 2004 (EM) 269410-0001

(51) **LOC (8) Cl.** **18-02**

(52) **U.S. Cl.** **D18/56; 347/86**

(58) **Field of Classification Search** D18/12,
D18/43, 56; 347/86-87; 399/110
See application file for complete search history.

(56) **References Cited**

U.S. PATENT DOCUMENTS

D309,752 S * 8/1990 Miyoshi D18/43
D419,593 S * 1/2000 Shimizu et al. D18/56
D438,897 S * 3/2001 Hatasa et al. D18/56

D448,798 S * 10/2001 Shimizu et al. D18/56
D460,480 S * 7/2002 Yamada et al. D18/56
D462,089 S * 8/2002 Trafton et al. D18/56
D489,756 S * 5/2004 Matsumoto et al. D18/56
D512,093 S * 11/2005 Namekawa D18/56

* cited by examiner

Primary Examiner—Cathy Anne MacCormac

(74) *Attorney, Agent, or Firm*—Kirschstein, et al.

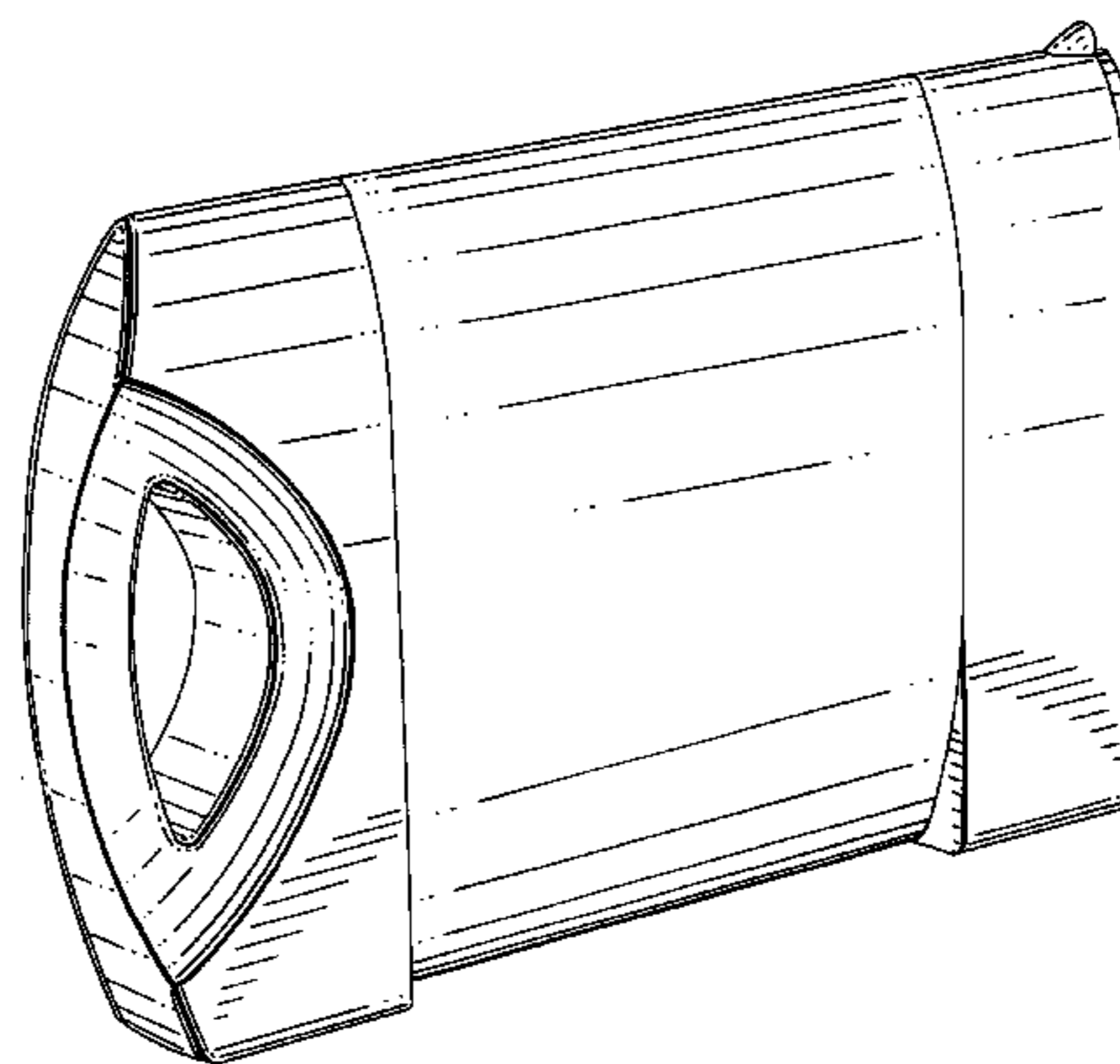
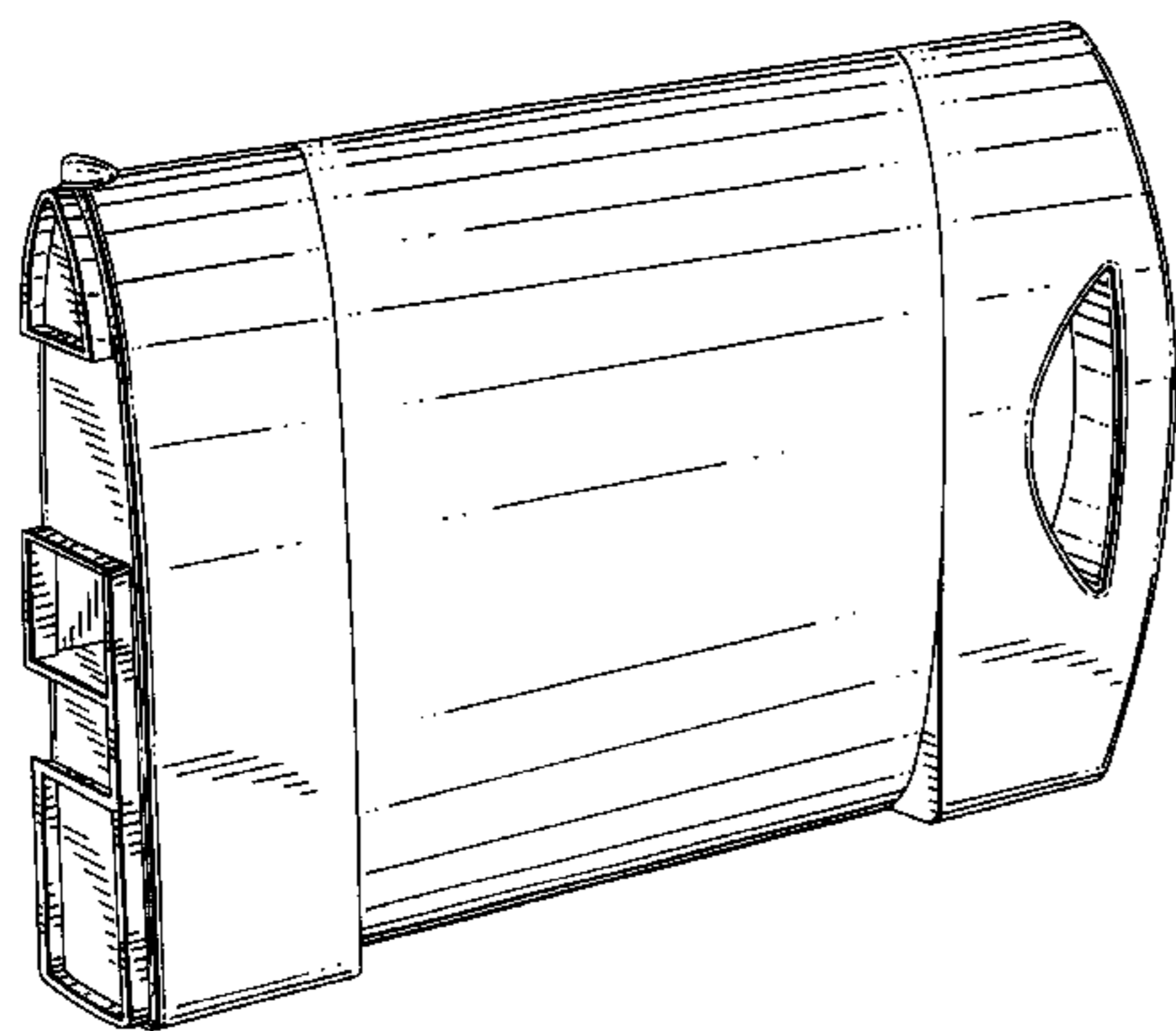
(57) **CLAIM**

The ornamental design for an ink supply cartridge, as shown.

DESCRIPTION

FIG. 1 is a front perspective view of an ink supply cartridge according to my new design;
FIG. 2 is a rear perspective view thereof;
FIG. 3 is a top plan view thereof;
FIG. 4 is a front elevational view thereof;
FIG. 5 is a left side elevational view thereof;
FIG. 6 is a right side elevational view thereof;
FIG. 7 is a rear elevational view thereof; and,
FIG. 8 is a bottom plan view thereof.

1 Claim, 4 Drawing Sheets



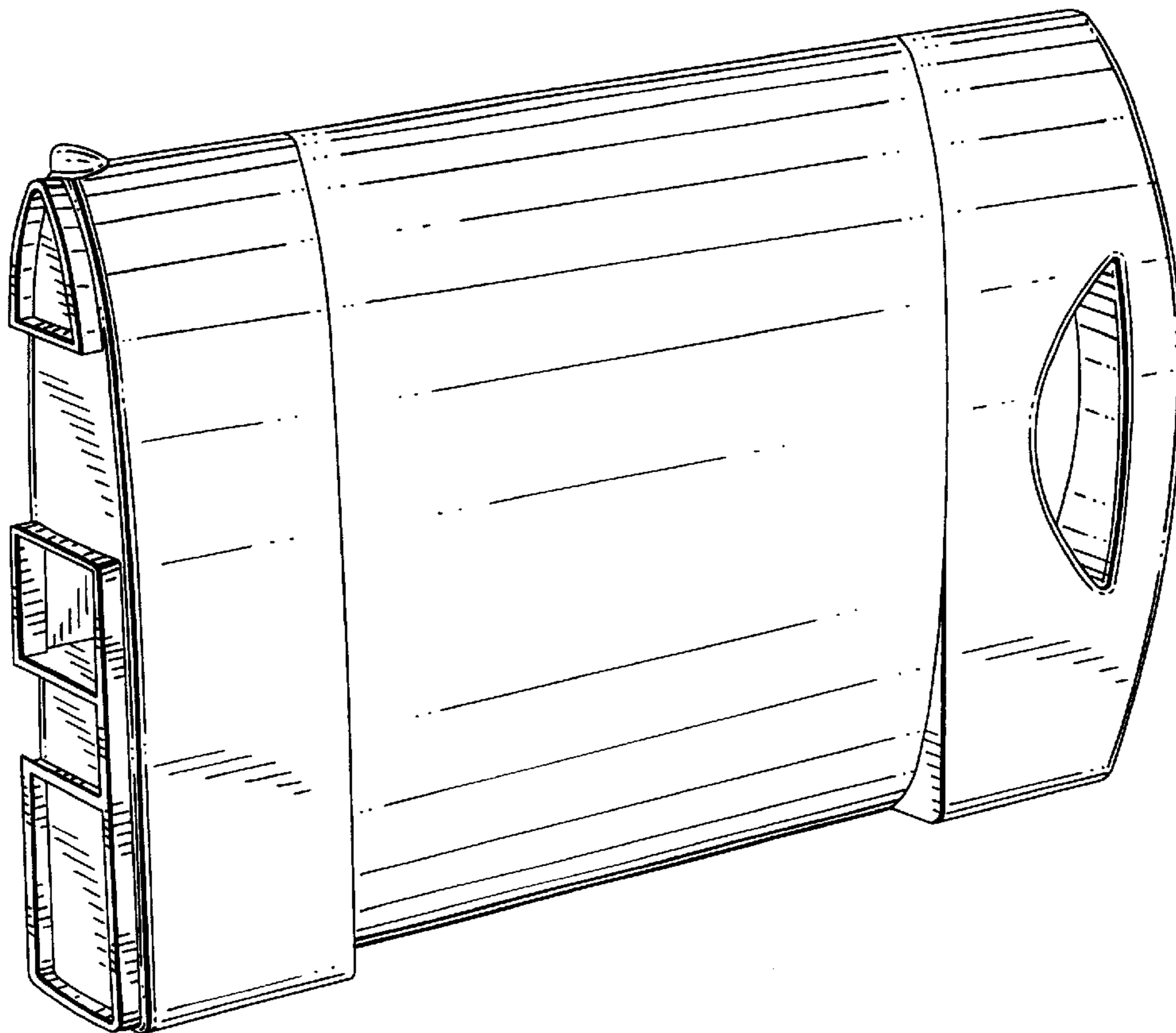


FIG. 1

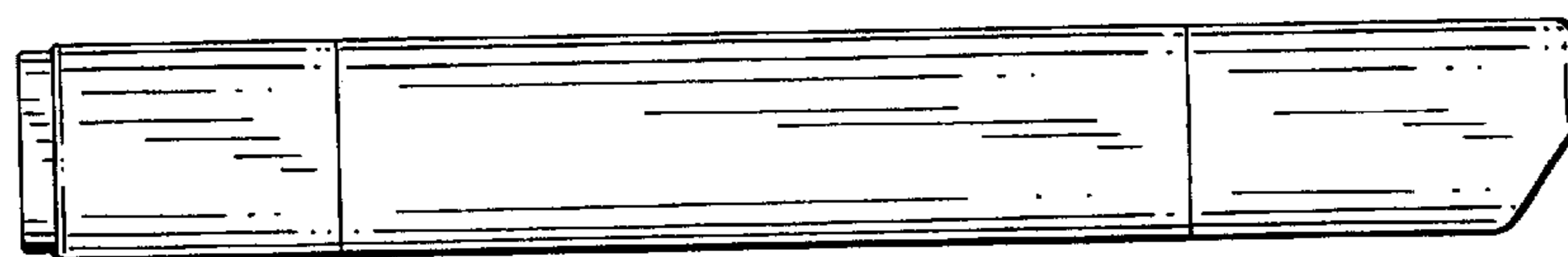


FIG. 8

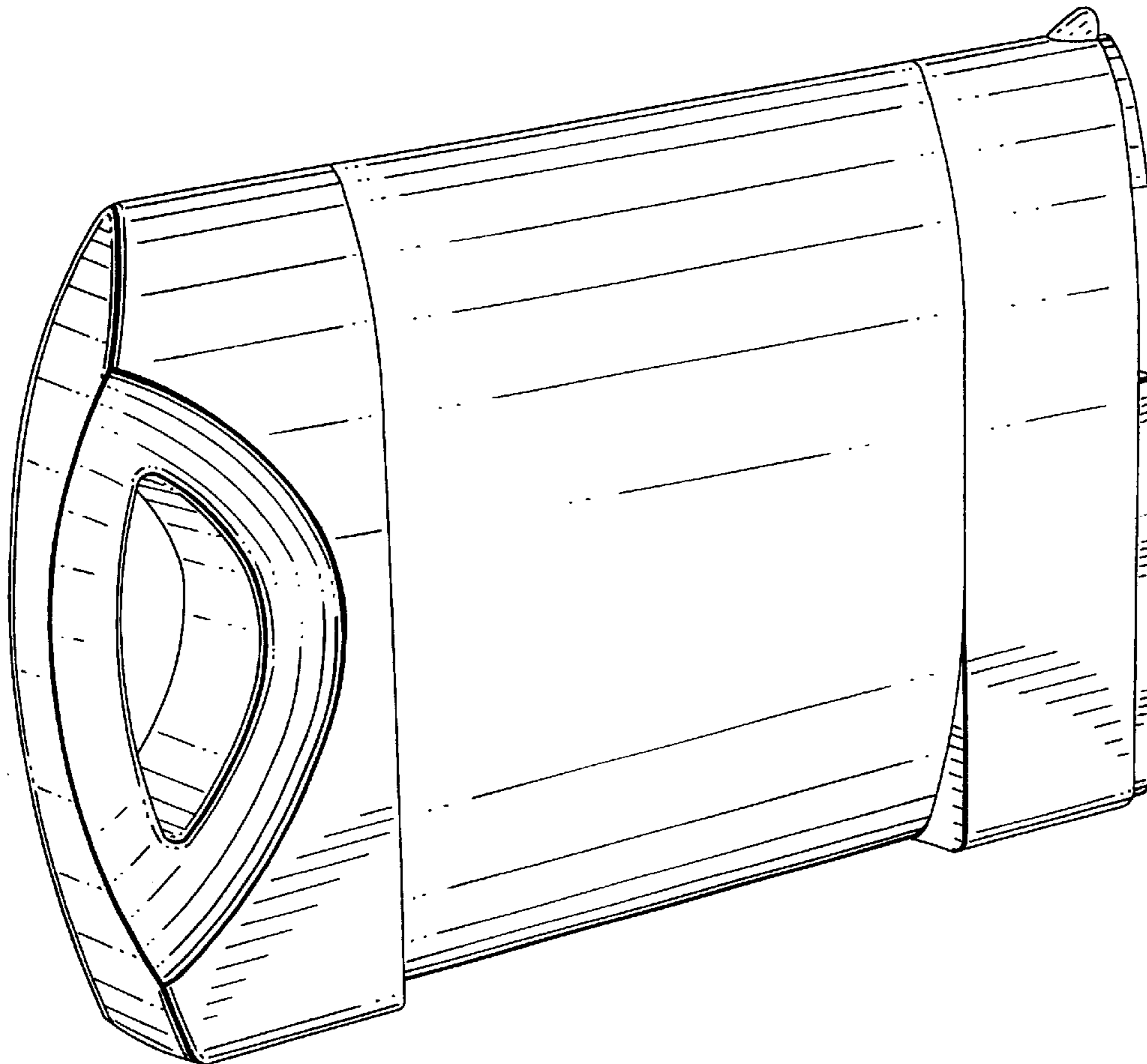


FIG. 2

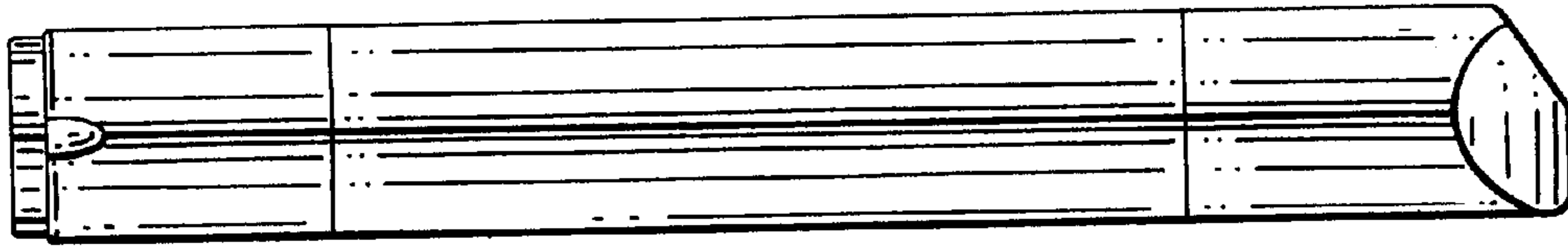


FIG. 3

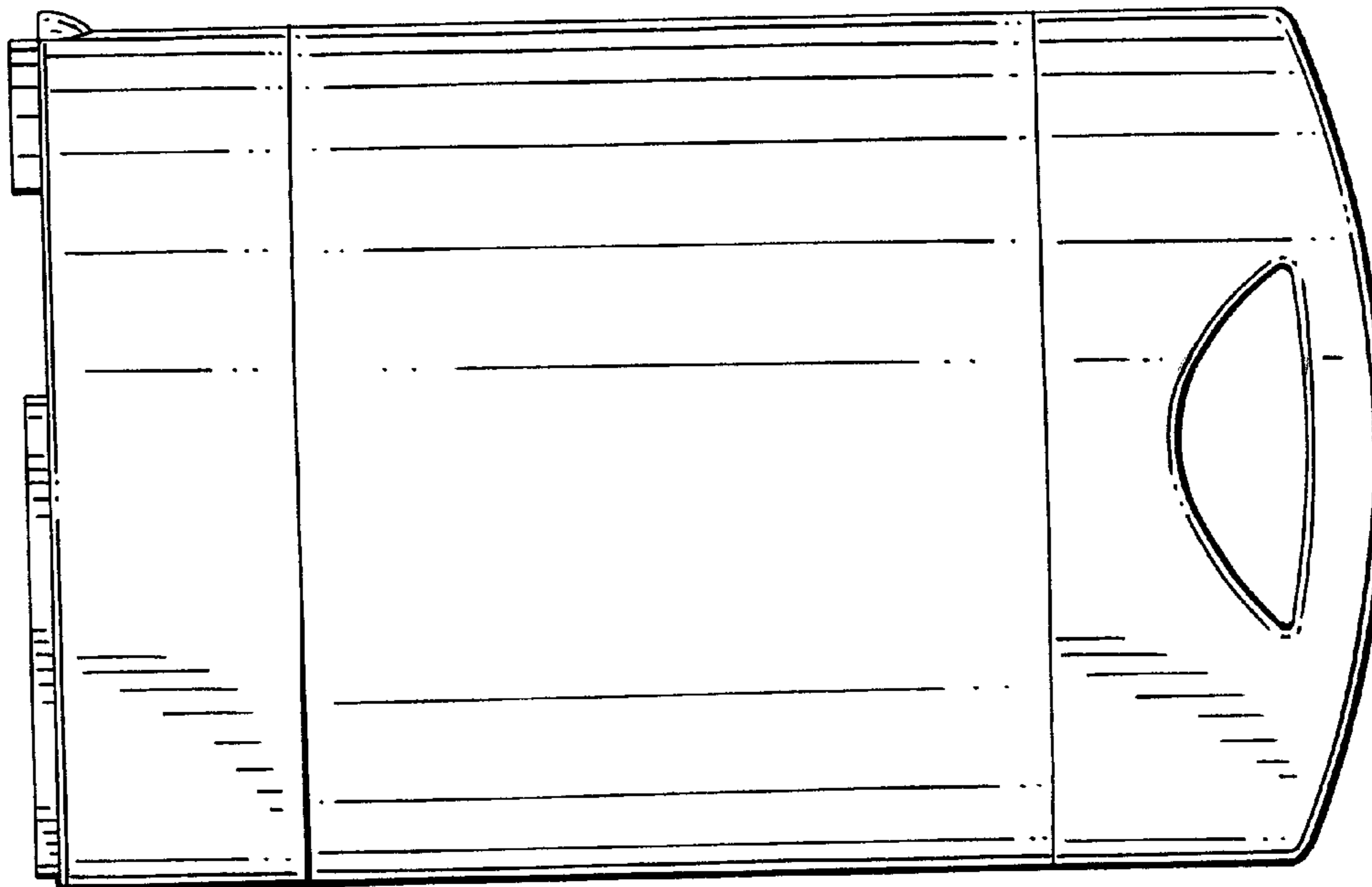


FIG. 4

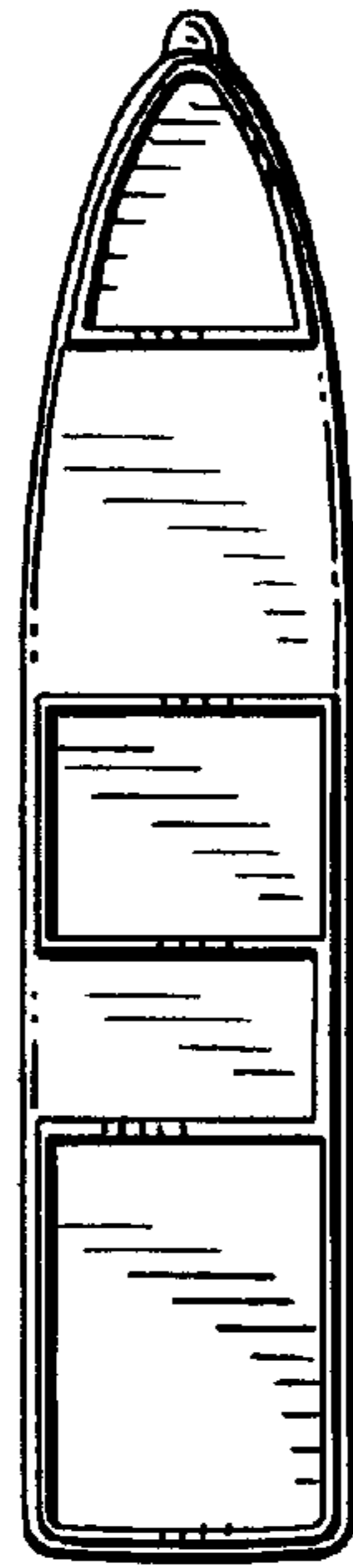


FIG. 5

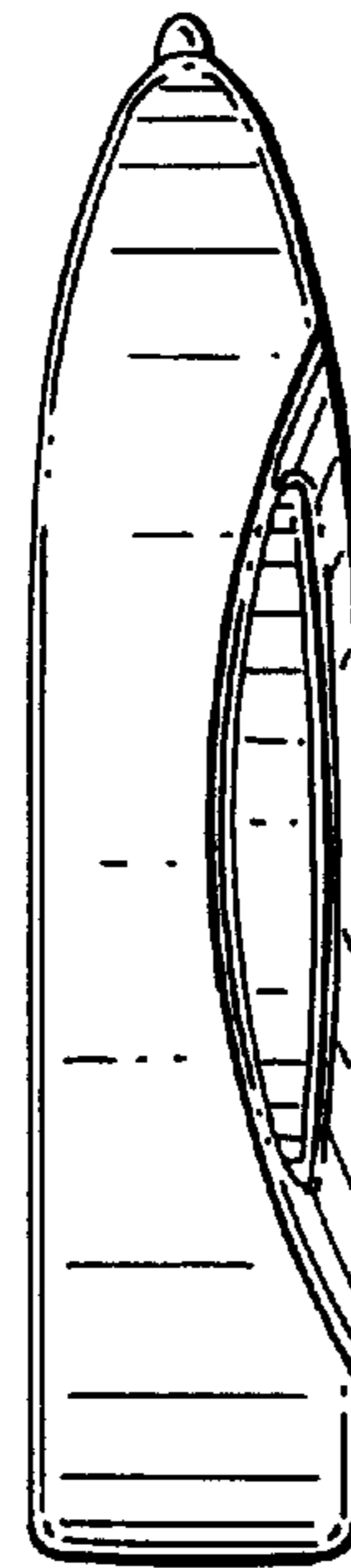


FIG. 6

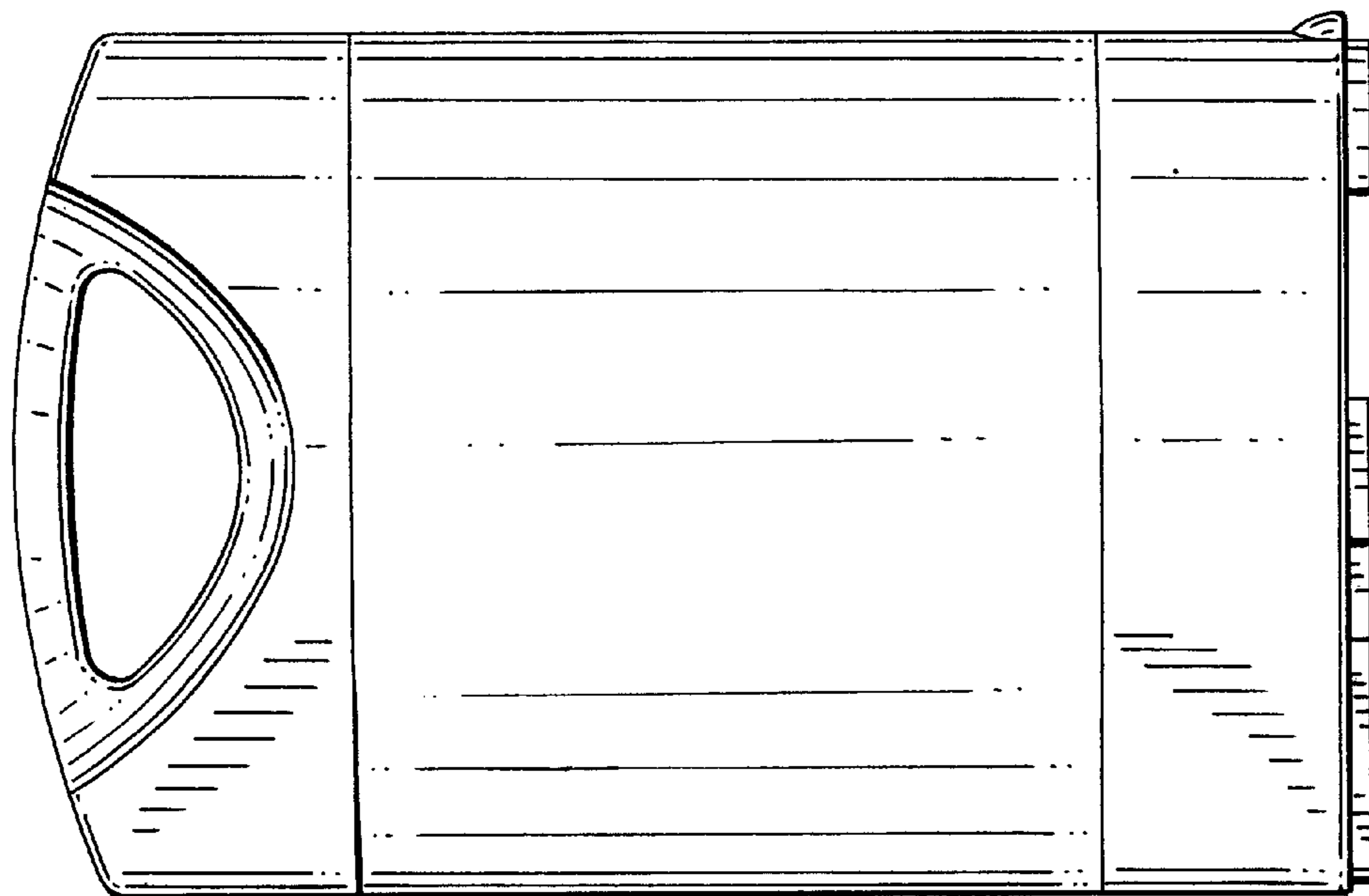


FIG. 7