



US00D531210S

(12) **United States Design Patent**  
**Jones**

(10) **Patent No.:** **US D531,210 S**  
(45) **Date of Patent:** **\*\* Oct. 31, 2006**

(54) **INK STICK FOR PHASE CHANGE INK JET PRINTER**

(75) Inventor: **Brent R. Jones**, Tualatin, OR (US)

(73) Assignee: **Xerox Corporation**, Stamford, CT (US)

(\*\*) Term: **14 Years**

(21) Appl. No.: **29/216,647**

(22) Filed: **Nov. 5, 2004**

(51) **LOC (8) Cl.** ..... **18-02**

(52) **U.S. Cl.** ..... **D18/56; 347/88**

(58) **Field of Classification Search** ..... D18/56;  
D21/499, 500; 106/31.29, 31.61; 273/156,  
273/160; 347/88, 99; 400/207, 208; 434/92,  
434/96; 446/122, 124, 125

See application file for complete search history.

(56) **References Cited**

**U.S. PATENT DOCUMENTS**

2,877,506	A	*	3/1959	Almoslino	.....	446/122
4,708,253	A	*	11/1987	Mednis	.....	215/10
D340,063	S	*	10/1993	Chow	.....	D18/56
D383,153	S	*	9/1997	Jones et al.	.....	D18/56
D415,193	S	*	10/1999	Jones	.....	D18/56
D440,248	S	*	4/2001	Mattern et al.	.....	D18/56
D482,721	S	*	11/2003	Jones	.....	D18/56

6,893,121	B1	*	5/2005	Jones	.....	347/88
2001/0046400	A1	*	11/2001	Hill	.....	400/207
2003/0202070	A1	*	10/2003	Jones	.....	347/88
2004/0160498	A1	*	8/2004	Jones	.....	347/88
2004/0183875	A1	*	9/2004	Jones et al.	.....	347/88

**OTHER PUBLICATIONS**

A list of Tektronix/Xerox Corporation Solid Ink Products sold at least one year prior to Apr. 29, 2002.\*

\* cited by examiner

*Primary Examiner*—Cathy Anne MacCormac

(57) **CLAIM**

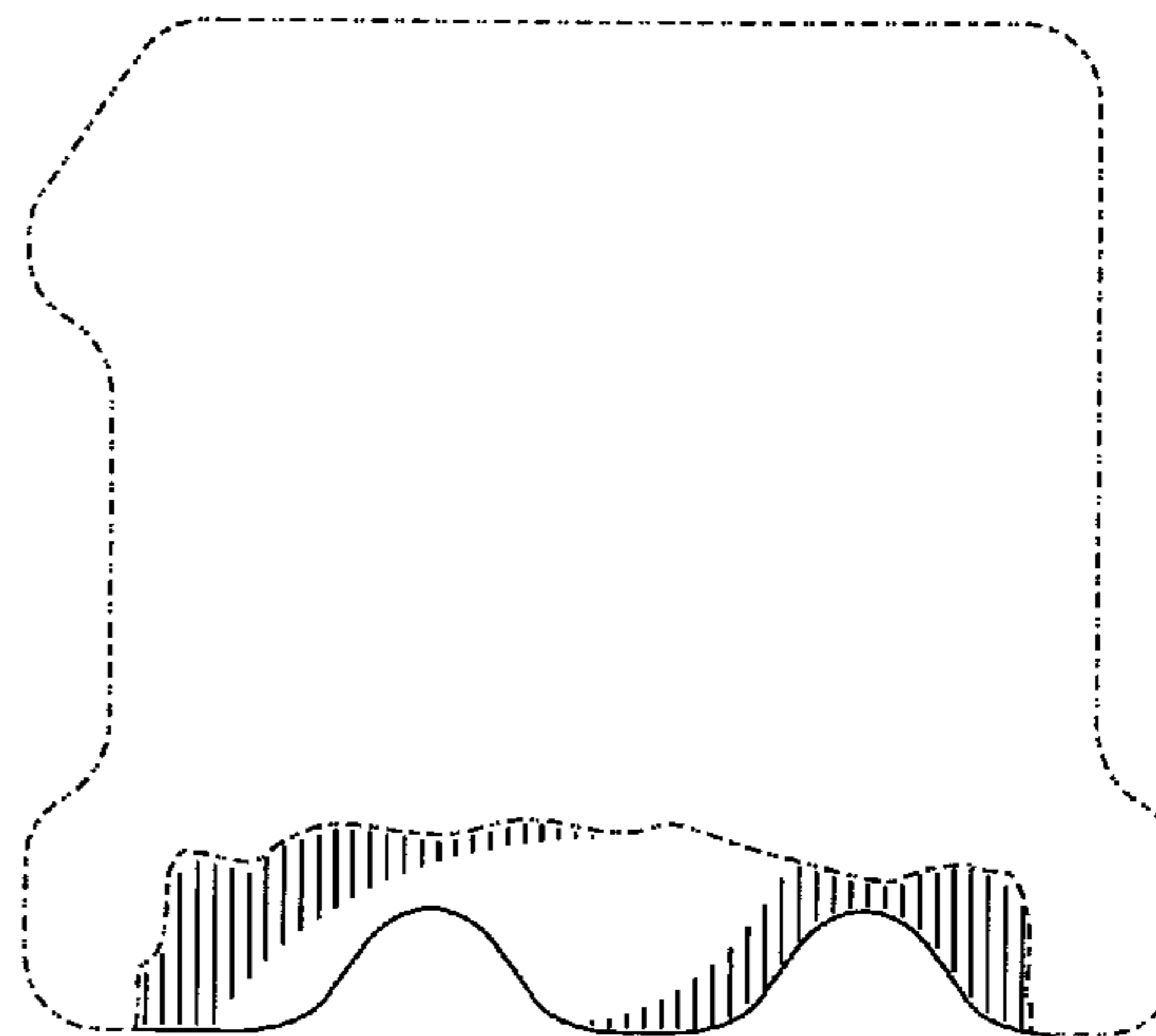
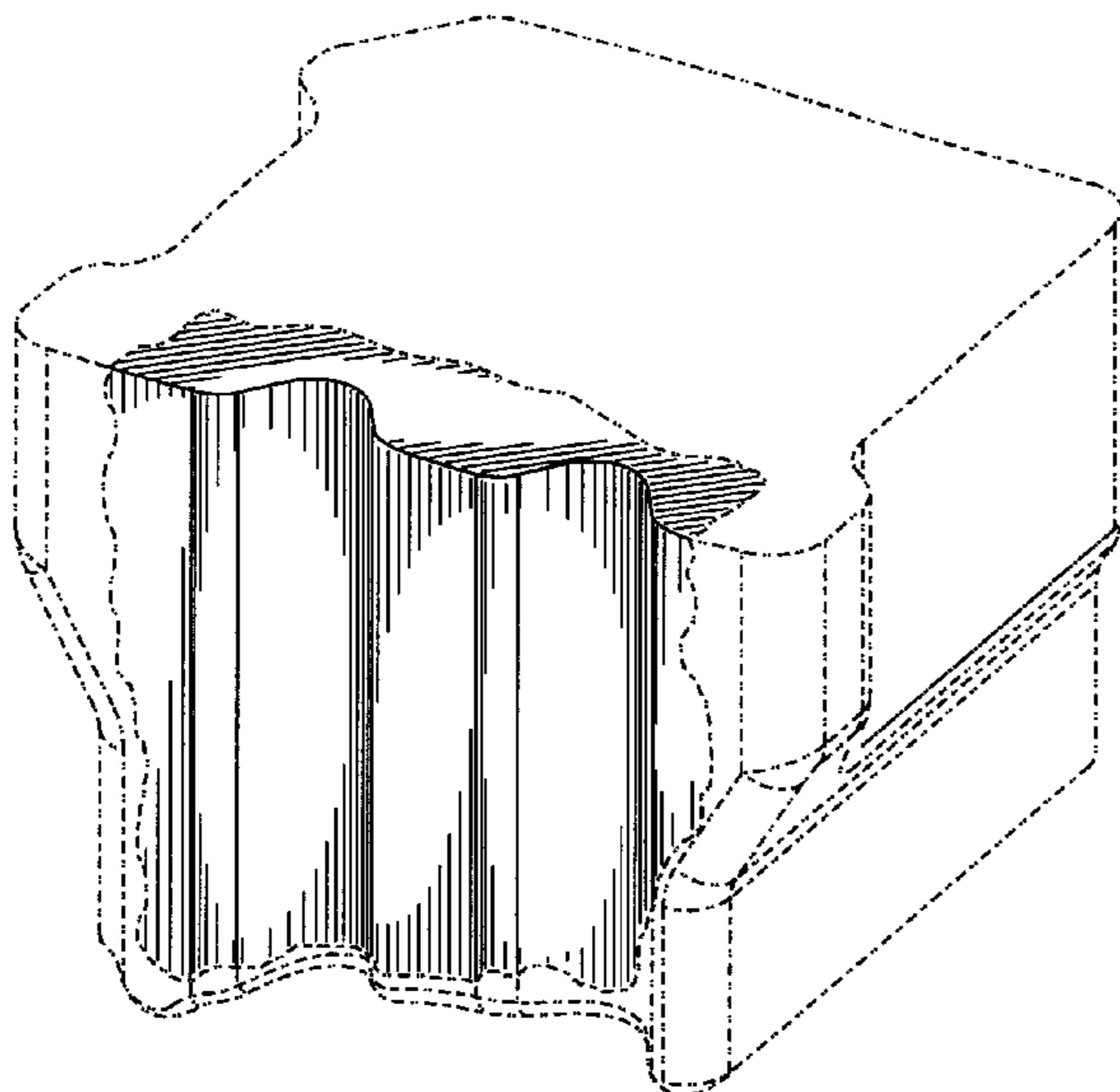
The ornamental design for an ink stick for phase change ink jet printer, as shown and described.

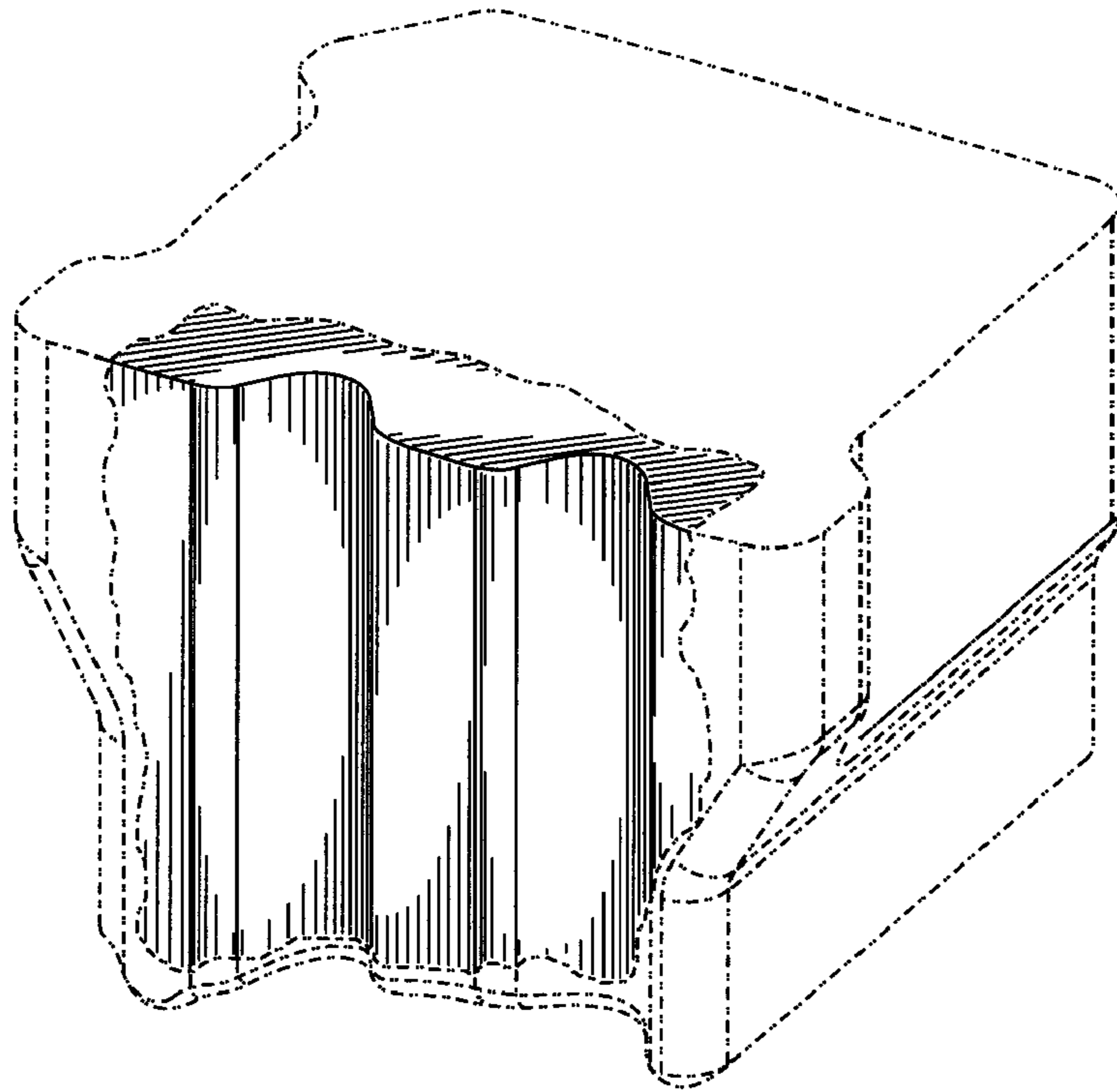
**DESCRIPTION**

FIG. 1 is a perspective view of an ink stick for phase change ink jet printer illustrating the new design; FIG. 2 is a front elevational view thereof; FIG. 3 is a right side elevational view thereof; FIG. 4 is a rear elevational view thereof; FIG. 5 is a left side elevational view thereof; FIG. 6 is a top plan view thereof; and, FIG. 7 is a bottom plan view thereof.

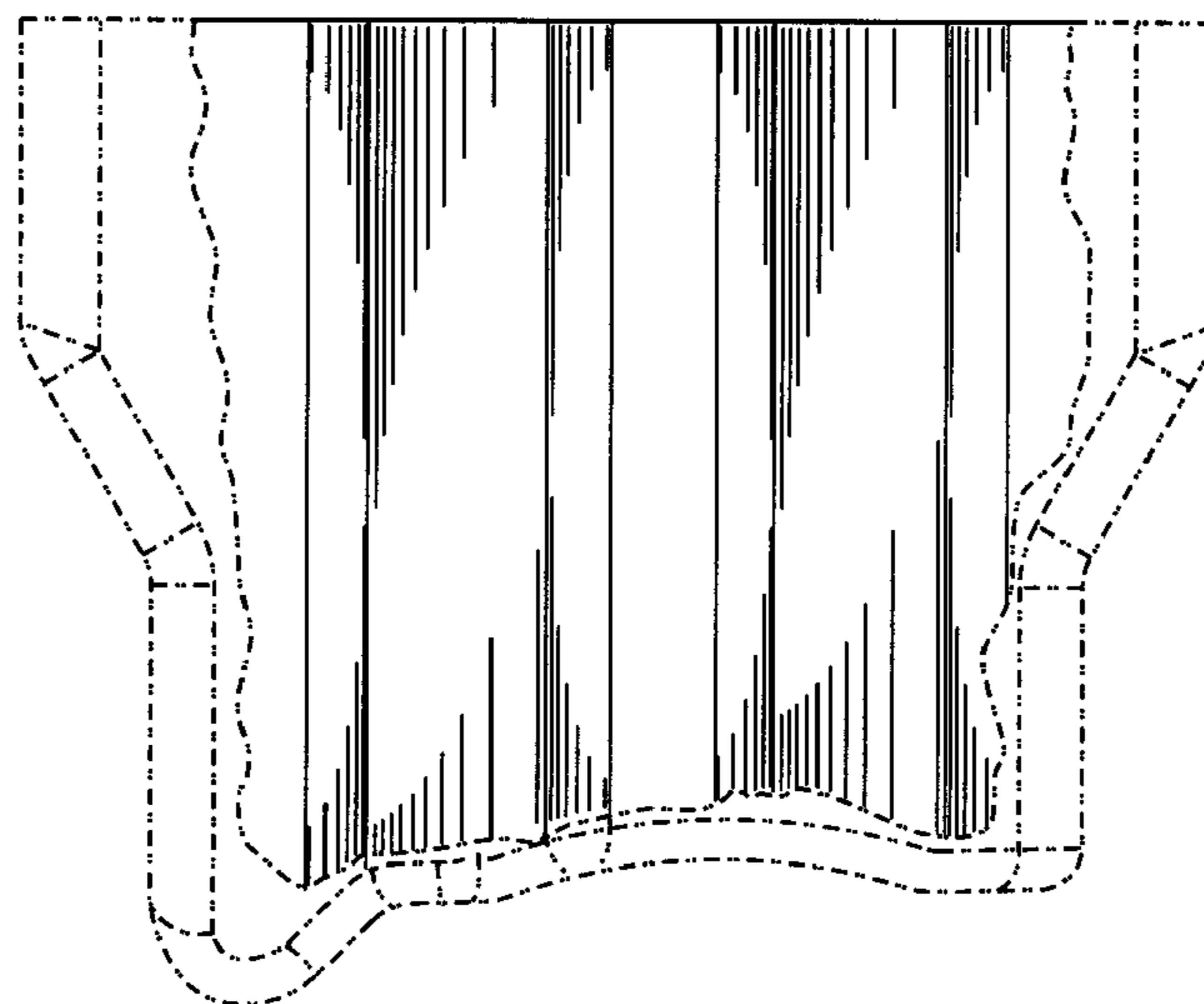
The broken lines are for illustrative purposes only and form no part of the claimed design.

**1 Claim, 4 Drawing Sheets**

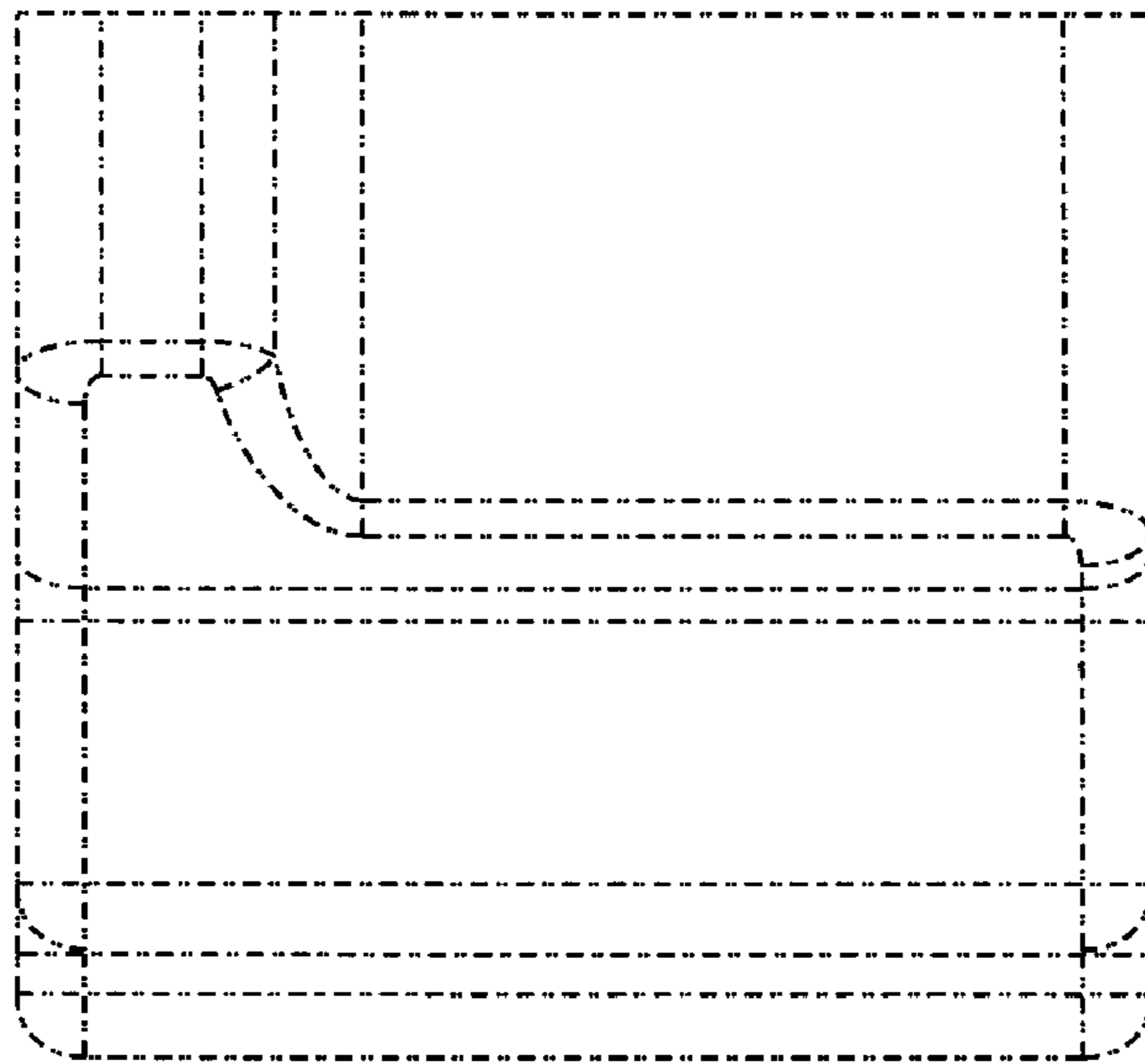




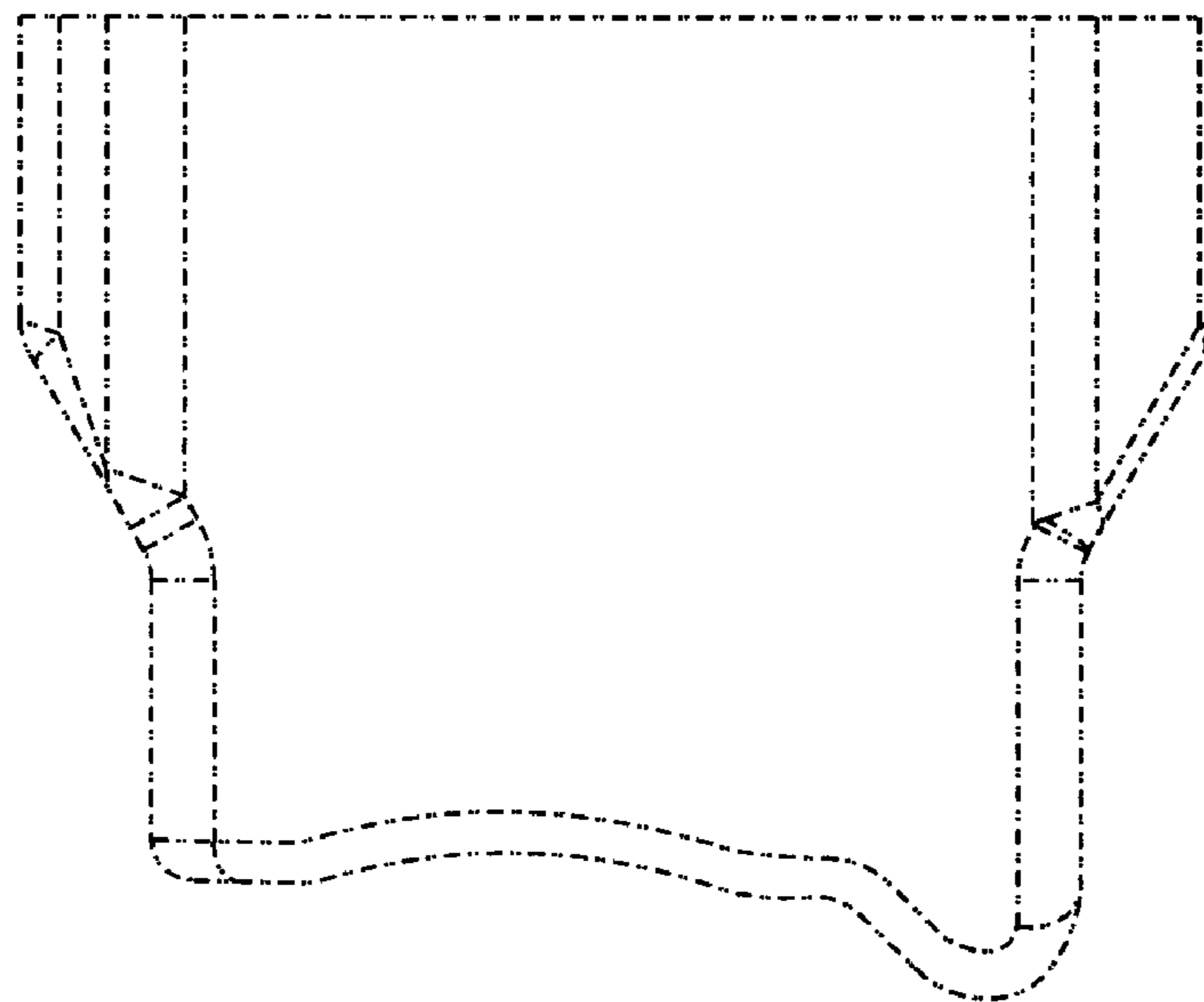
**FIG. 1**



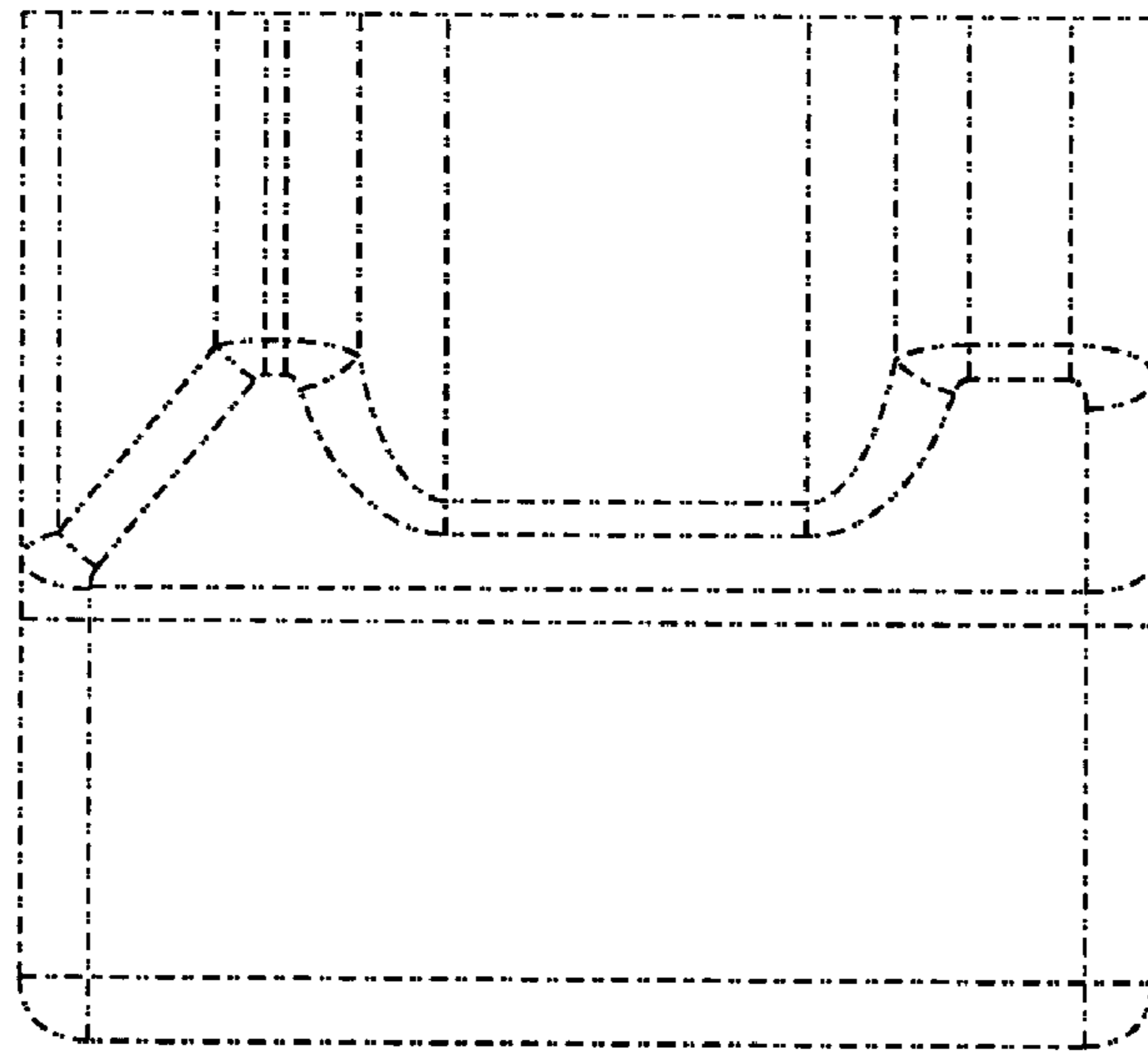
**FIG. 2**



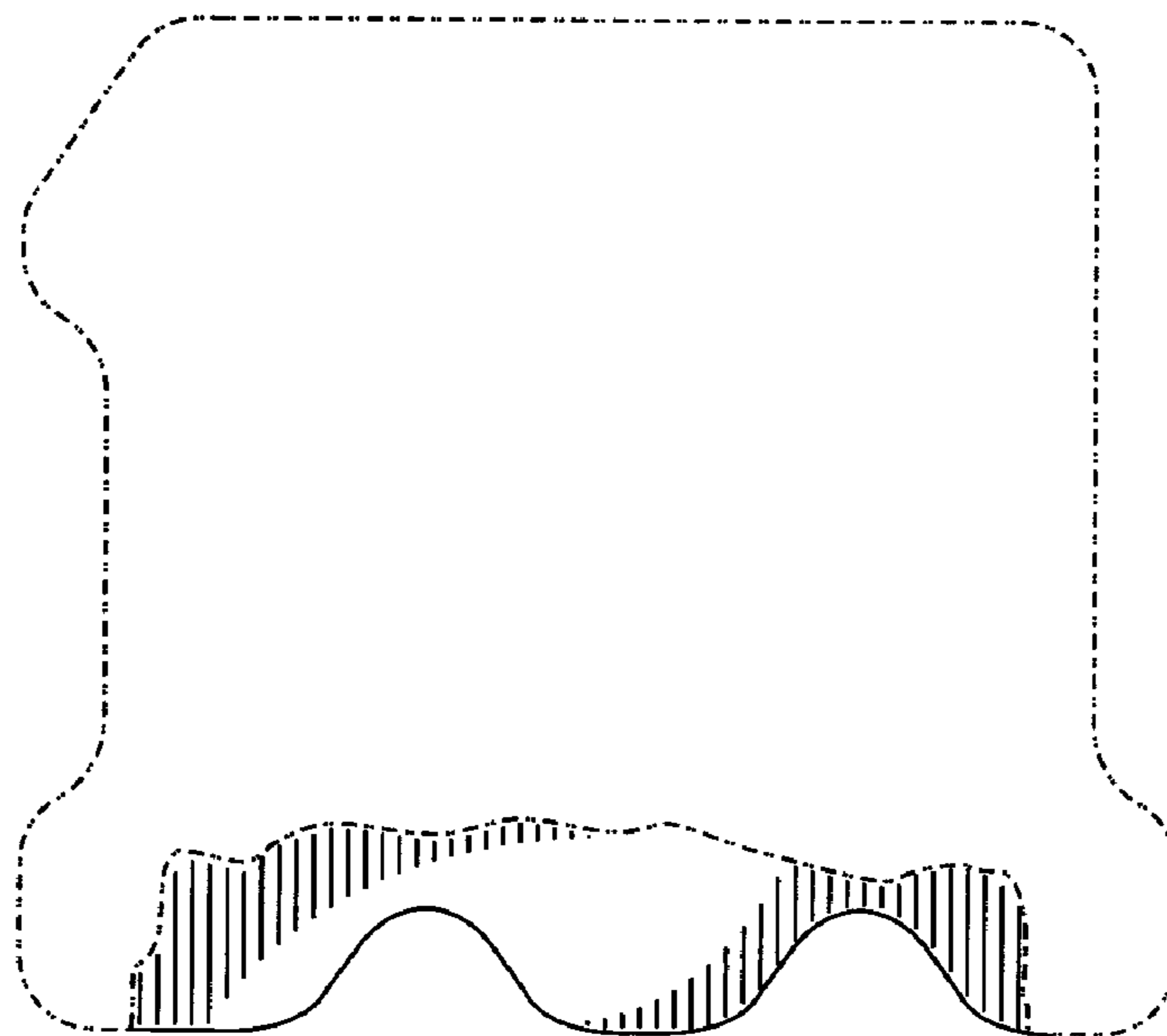
**FIG. 3**



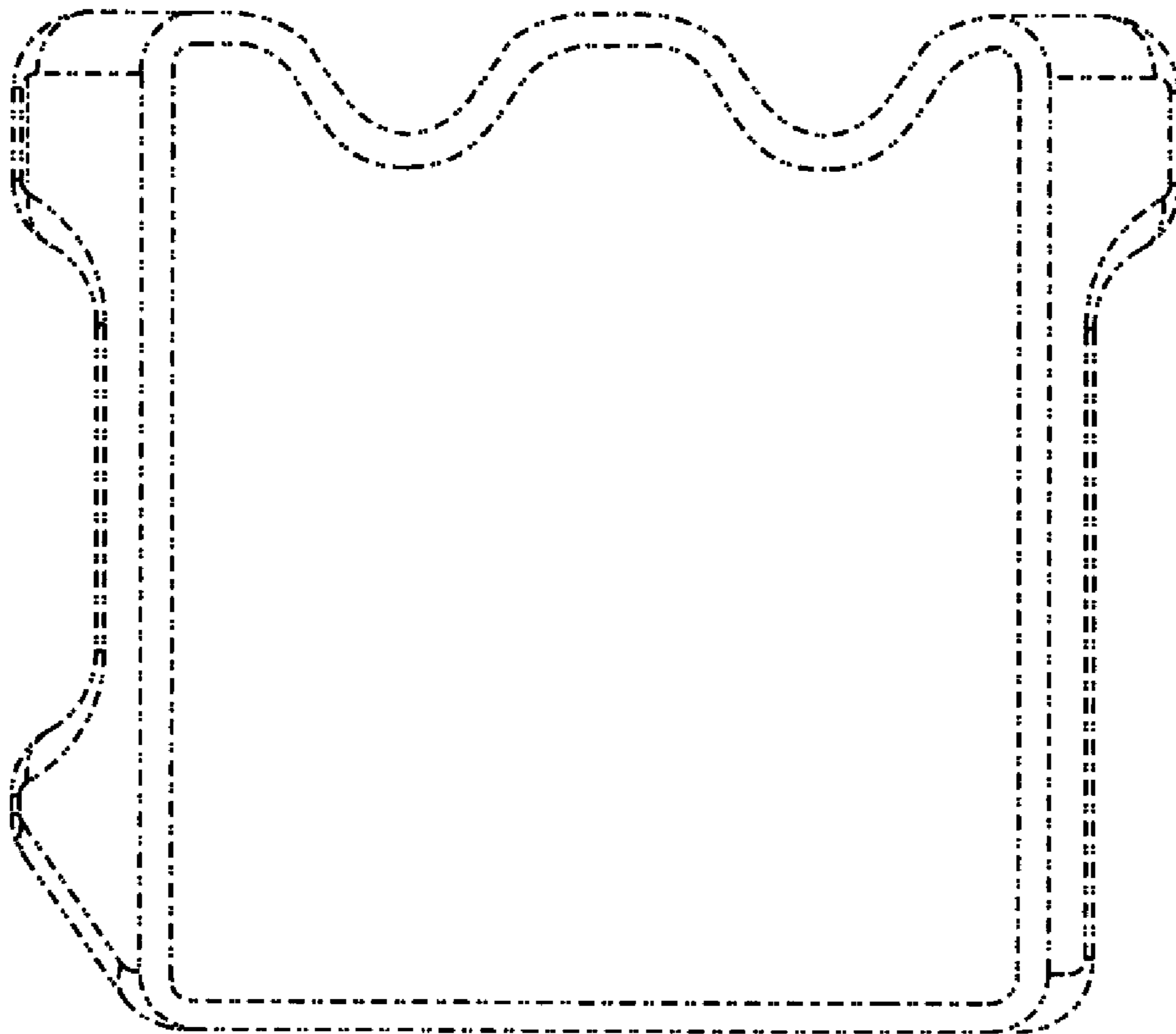
**FIG. 4**



**FIG. 5**



**FIG. 6**



**FIG. 7**