



US00D531208S

(12) **United States Design Patent**  
**Shinada et al.**

(10) **Patent No.:** **US D531,208 S**

(45) **Date of Patent:** **\*\* Oct. 31, 2006**

(54) **INK CARTRIDGE FOR PRINTER**

(75) Inventors: **Satoshi Shinada**, Suwa (JP); **Taku Ishizawa**, Suwa (JP); **Yasuto Sakai**, Suwa (JP)

(73) Assignee: **Seiko Epson Corporation**, Tokyo (JP)

(\*\*) Term: **14 Years**

(21) Appl. No.: **29/202,549**

(22) Filed: **Apr. 1, 2004**

(30) **Foreign Application Priority Data**

Oct. 2, 2003 (JP) ..... 2003-029090

(51) **LOC (8) Cl.** ..... **18-02**

(52) **U.S. Cl.** ..... **D18/56**

(58) **Field of Classification Search** ..... D18/40,  
D18/43, 56; 347/86, 87

See application file for complete search history.

(56) **References Cited**

**U.S. PATENT DOCUMENTS**

D445,822 S \* 7/2001 Tosa et al. .... D18/40

D466,925 S 12/2002 Ishizawa et al.

D475,402 S \* 6/2003 Nakayama et al. .... D18/56

D477,020 S 7/2003 Seino  
D489,757 S \* 5/2004 Matsumoto ..... D18/56  
D490,846 S \* 6/2004 Suzuki et al. .... D18/56

\* cited by examiner

*Primary Examiner*—Cathy Anne MacCormac

(74) *Attorney, Agent, or Firm*—Stroock & Stroock & Lavan LLP

(57) **CLAIM**

The ornamental design for an ink cartridge for printer, as shown and described.

**DESCRIPTION**

FIG. 1 is a perspective view of the top, front and left side of an ink cartridge for printer showing our new design;

FIG. 2 is a perspective view of the rear, bottom and right side thereof;

FIG. 3 is a front view thereof;

FIG. 4 is a rear view thereof;

FIG. 5 is a top plan view thereof;

FIG. 6 is a bottom plan view thereof;

FIG. 7 is a left side view thereof; and,

FIG. 8 is a right side view thereof.

The broken lines are for illustrative purposes only and form no part of the claimed design.

**1 Claim, 6 Drawing Sheets**

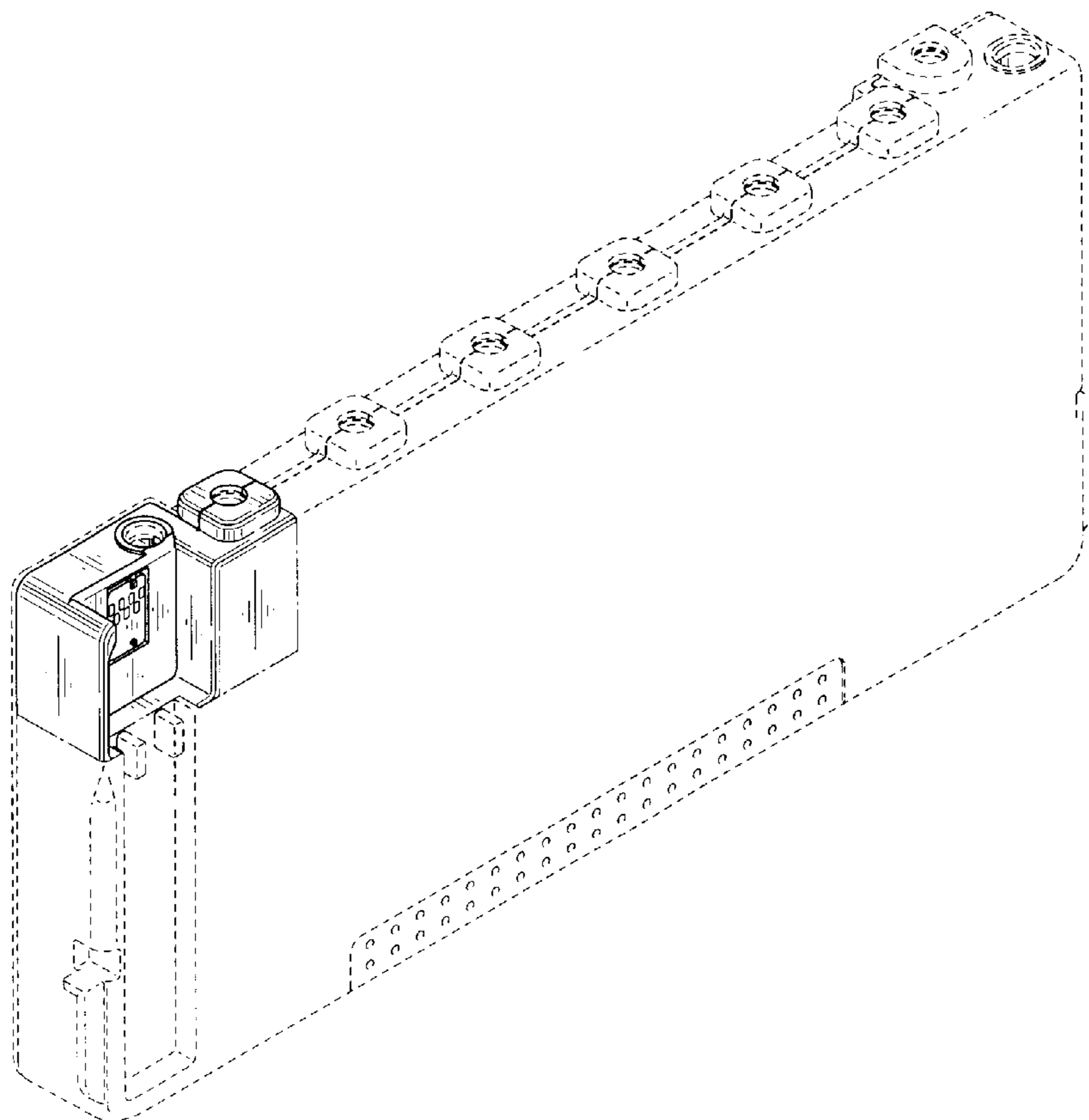
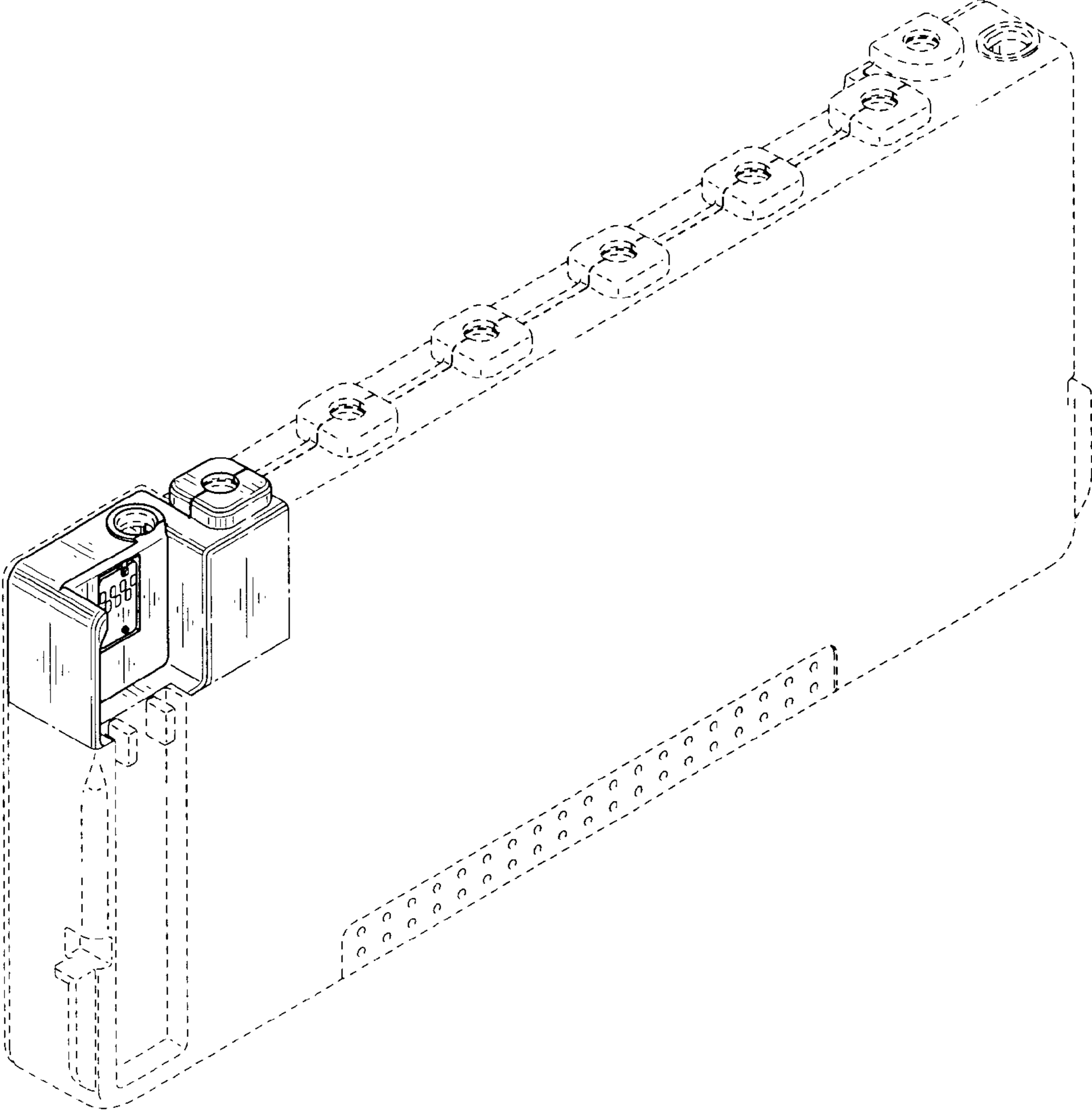


FIG. 1



*FIG. 2*

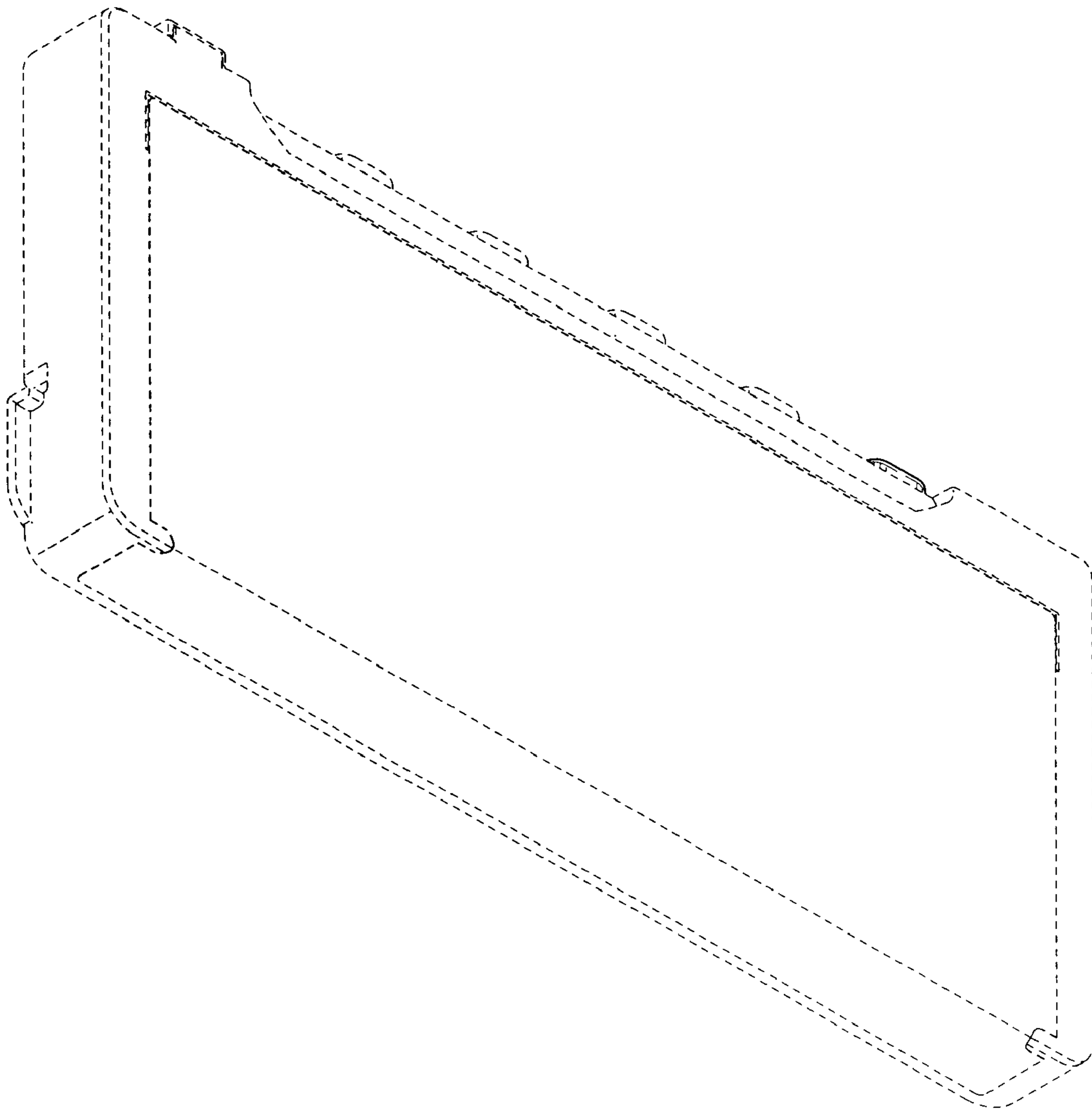
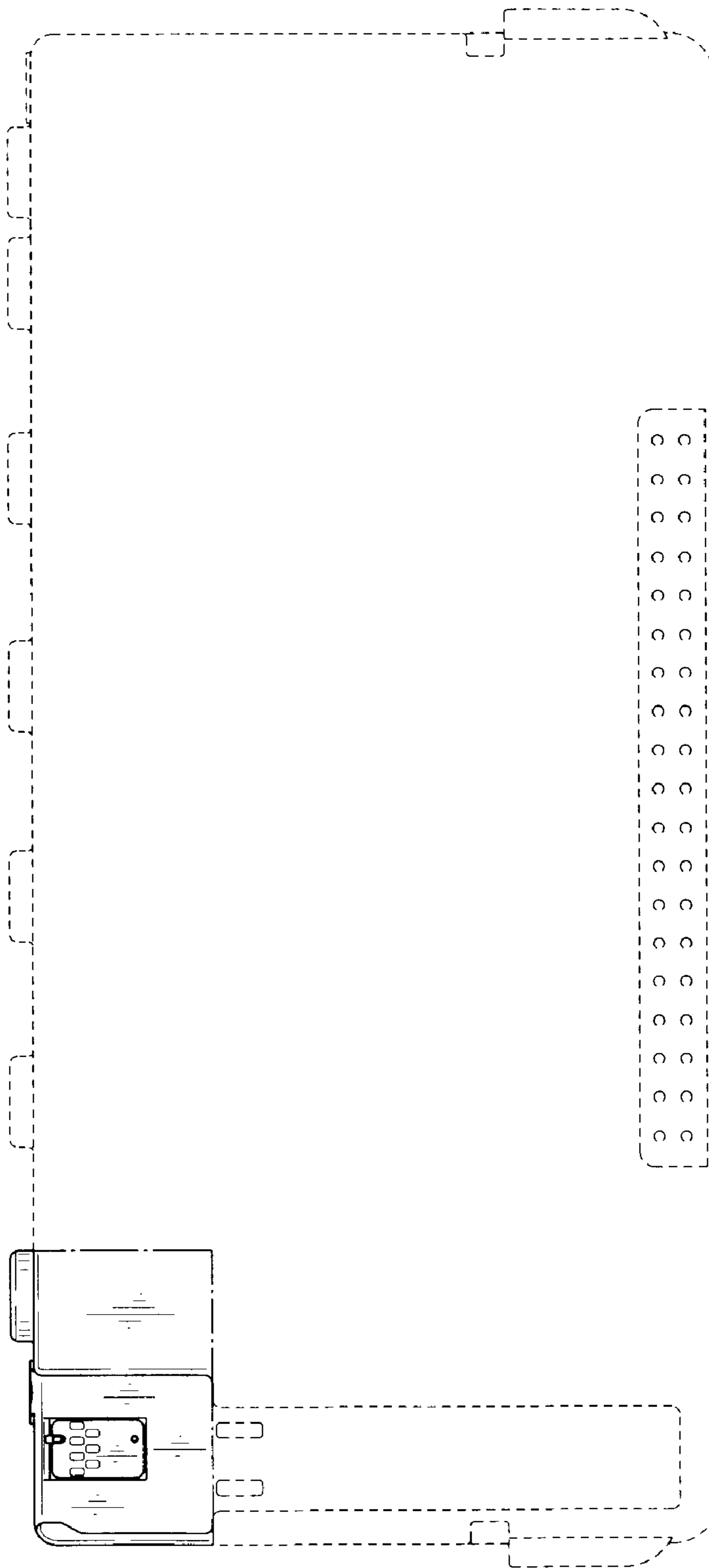
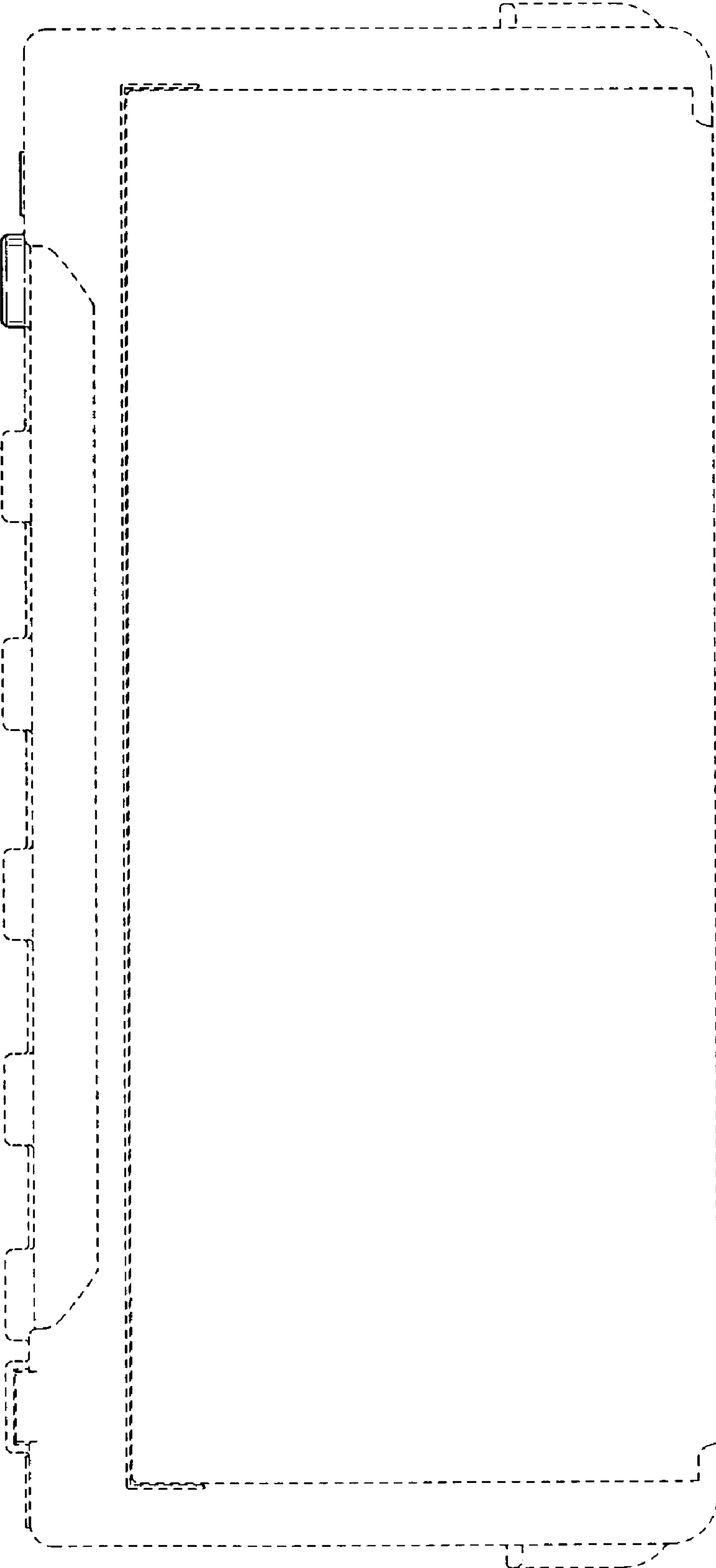


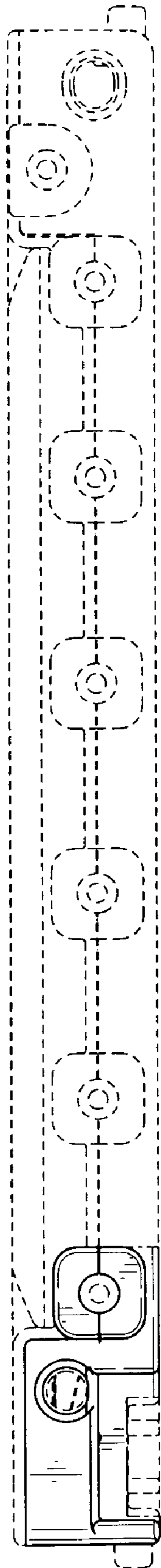
FIG. 3



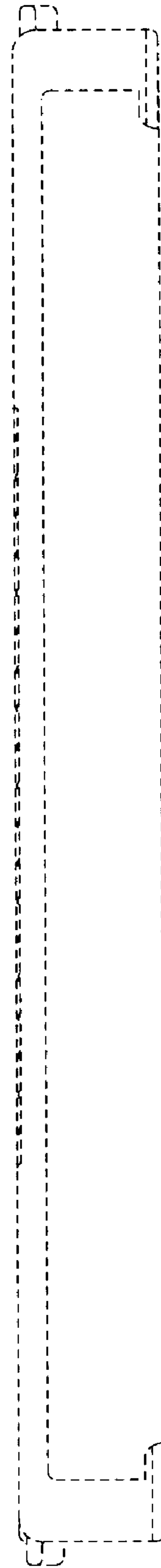
**FIG. 4**



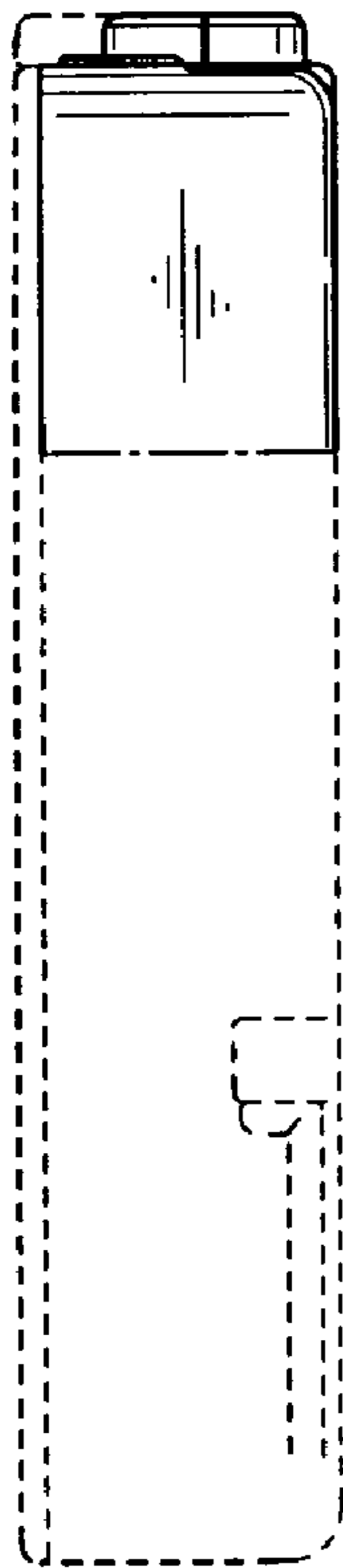
**FIG. 5**



**FIG. 6**



*FIG. 7*



*FIG. 8*

