



US00D531206S

(12) **United States Design Patent**
Hegge

(10) **Patent No.:** **US D531,206 S**
(45) **Date of Patent:** **** Oct. 31, 2006**

(54) **INDUSTRIAL WIDE-FORMAT INK-JET
PRINTER**

(75) Inventor: **Frans Hegge**, Hamont-Achel (BE)

(73) Assignee: **Agfa-Gevaert N.V.**, N Mortsel (BE)

(**) Term: **14 Years**

(21) Appl. No.: **29/243,248**

(22) Filed: **Nov. 22, 2005**

(51) **LOC (8) Cl.** **18-02**

(52) **U.S. Cl.** **D18/53; D15/199**

(58) **Field of Classification Search** D18/53,
D18/50, 51, 59, 38, 39; D14/463, 303, 447,
D14/451; 355/78; 400/613.1-613.4, 691,
400/694, 690.1-690.4; D6/449, 406; 101/DIG. 48,
101/2, 451, 364, 366, 494; D15/199
See application file for complete search history.

(56) **References Cited**

U.S. PATENT DOCUMENTS

D196,687 S	*	10/1963	Van Valkinburgh	D18/53
D332,623 S	*	1/1993	Iwanaga	D18/53
D371,159 S	*	6/1996	Hart et al.	D18/53
D375,119 S	*	10/1996	Pangburn	D18/50

5,775,825 A	*	7/1998	Hong et al.	400/693
5,863,141 A	*	1/1999	Hong et al.	400/692
D407,740 S	*	4/1999	Ina et al.	D18/53
D411,228 S	*	6/1999	Kobayashi et al.	D18/50
D438,240 S	*	2/2001	Kimura	D18/53
D445,126 S	*	7/2001	Shimizu	D18/53
D464,080 S	*	10/2002	Yamano et al.	D18/53
D475,083 S	*	5/2003	Kusanagi	D18/50

* cited by examiner

Primary Examiner—Charles A. Rademaker

(74) *Attorney, Agent, or Firm*—Robert A. Sabourin

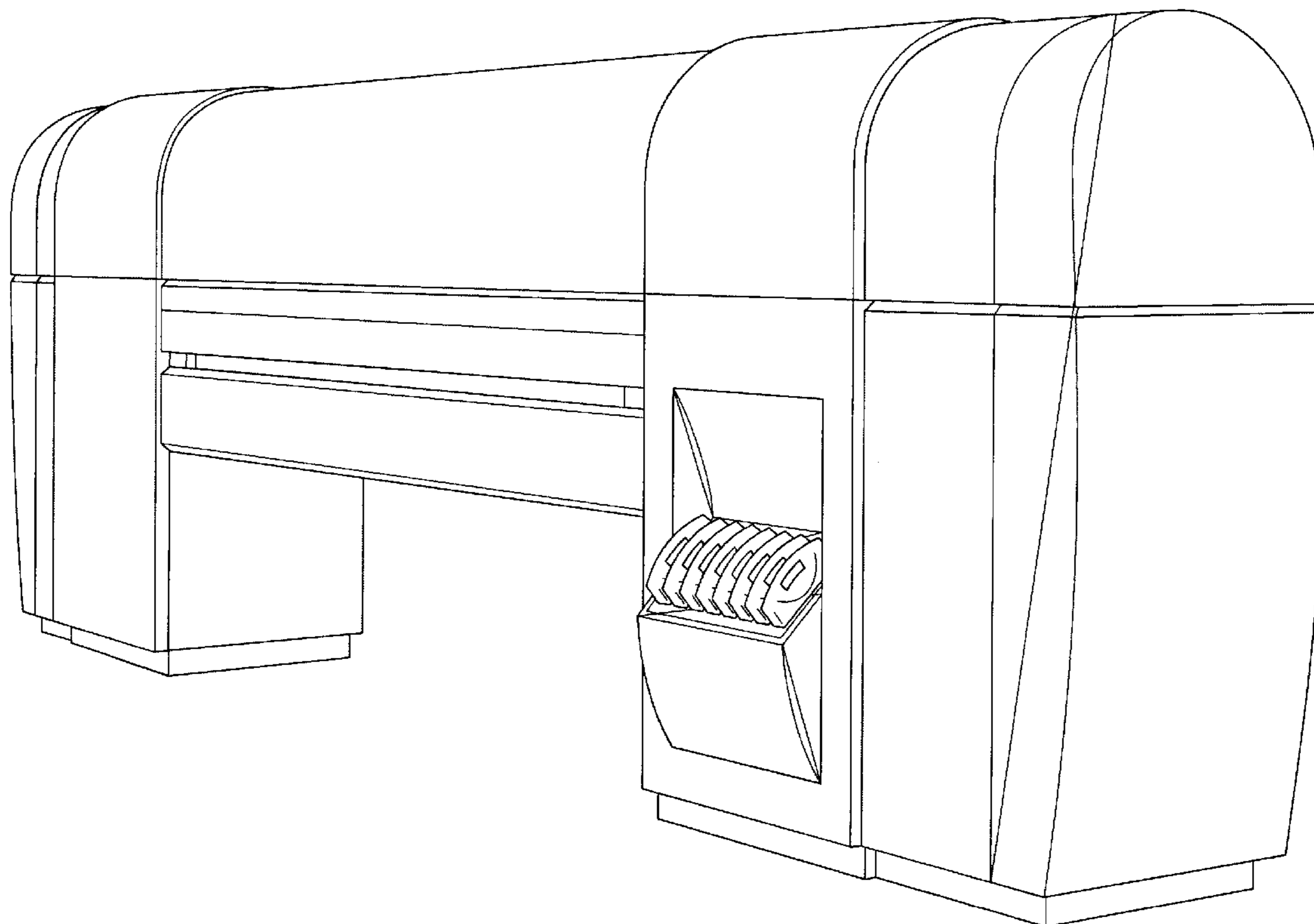
(57) **CLAIM**

The ornamental design for an industrial wide-format ink-jet printer, as shown and described.

DESCRIPTION

FIG. 1 is a front perspective view of an industrial wide-format ink-jet printer showing my new design;
FIG. 2 is a rear perspective view thereof;
FIG. 3 is a front elevation thereof;
FIG. 4 is a rear elevation thereof
FIG. 5 is a right side elevation thereof;
FIG. 6 is a left side elevation thereof; and,
FIG. 7 is a top plan view thereof.

1 Claim, 6 Drawing Sheets



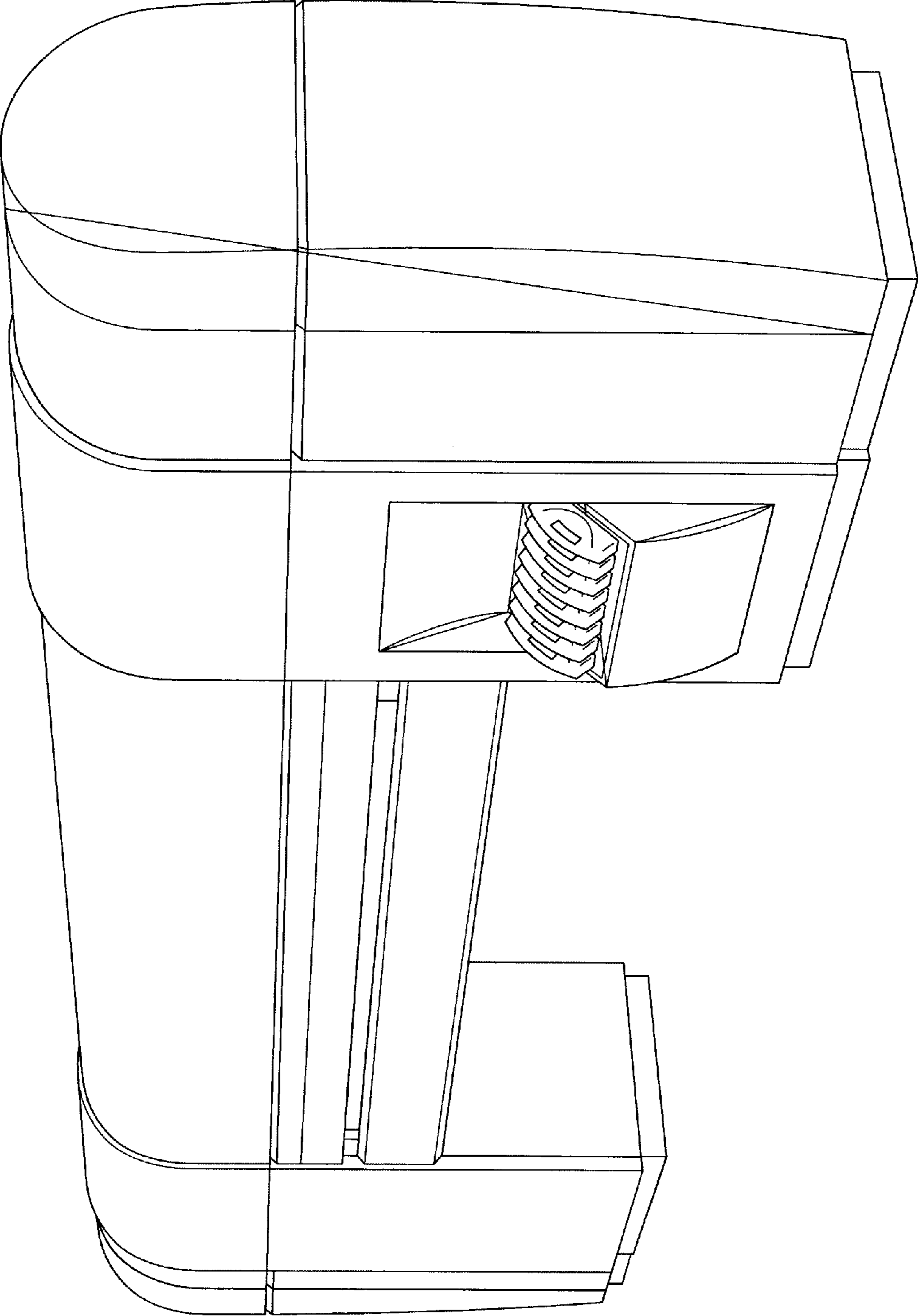


FIG. 1

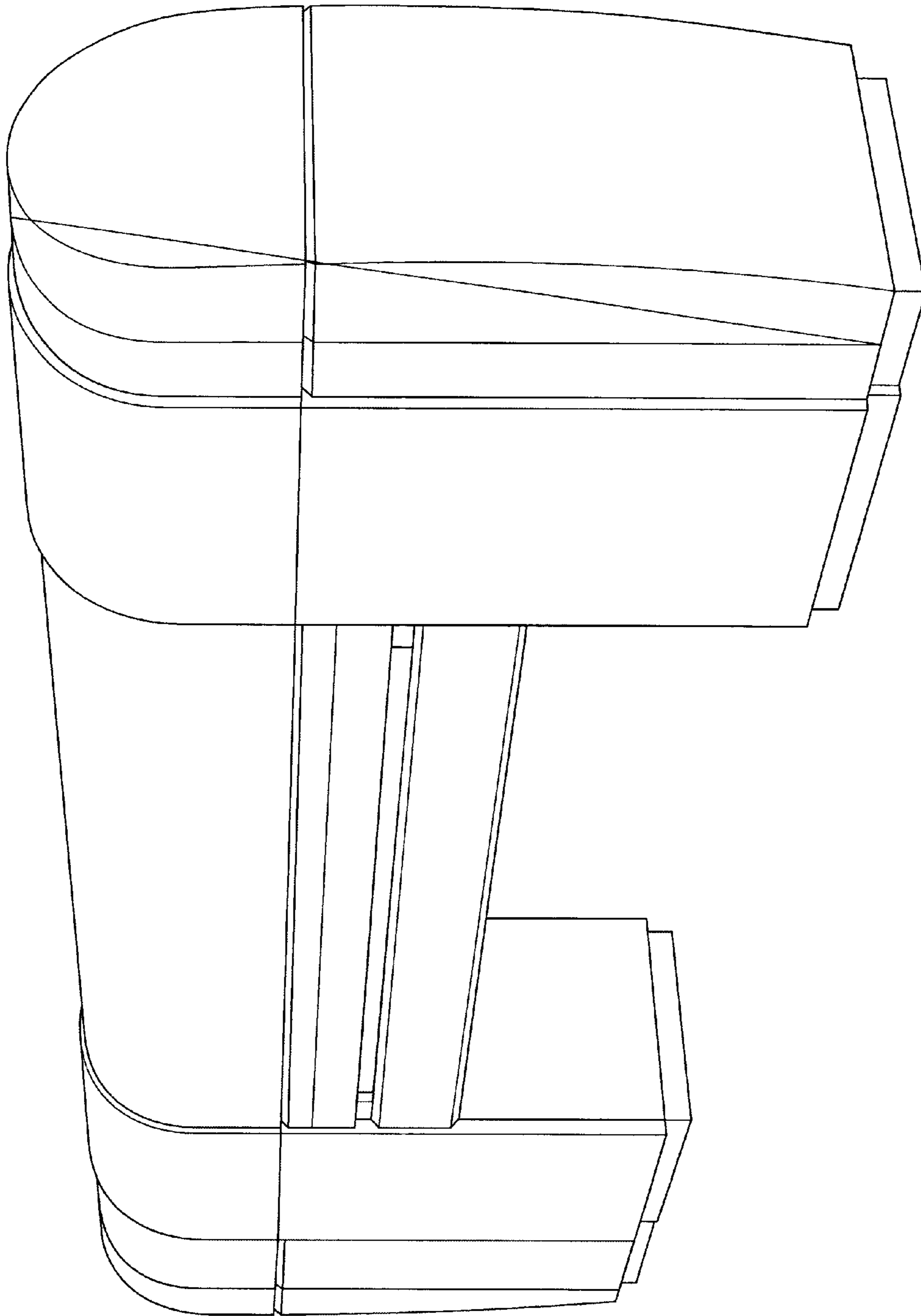


FIG. 2

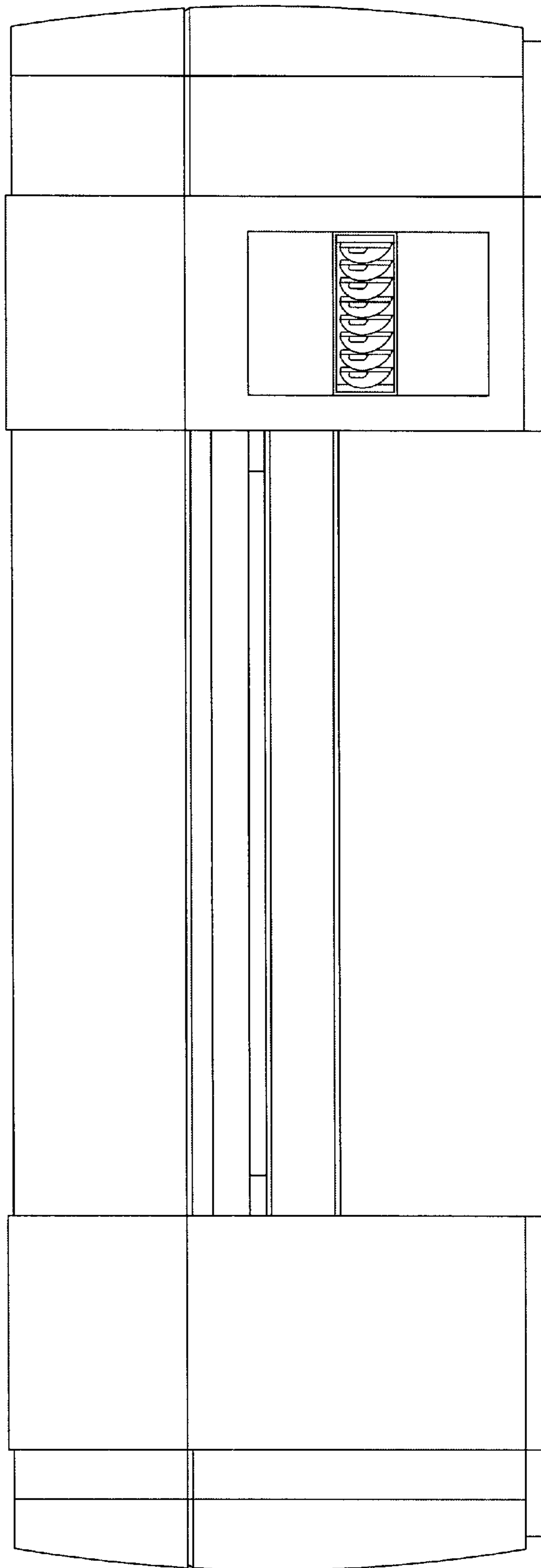


FIG. 3

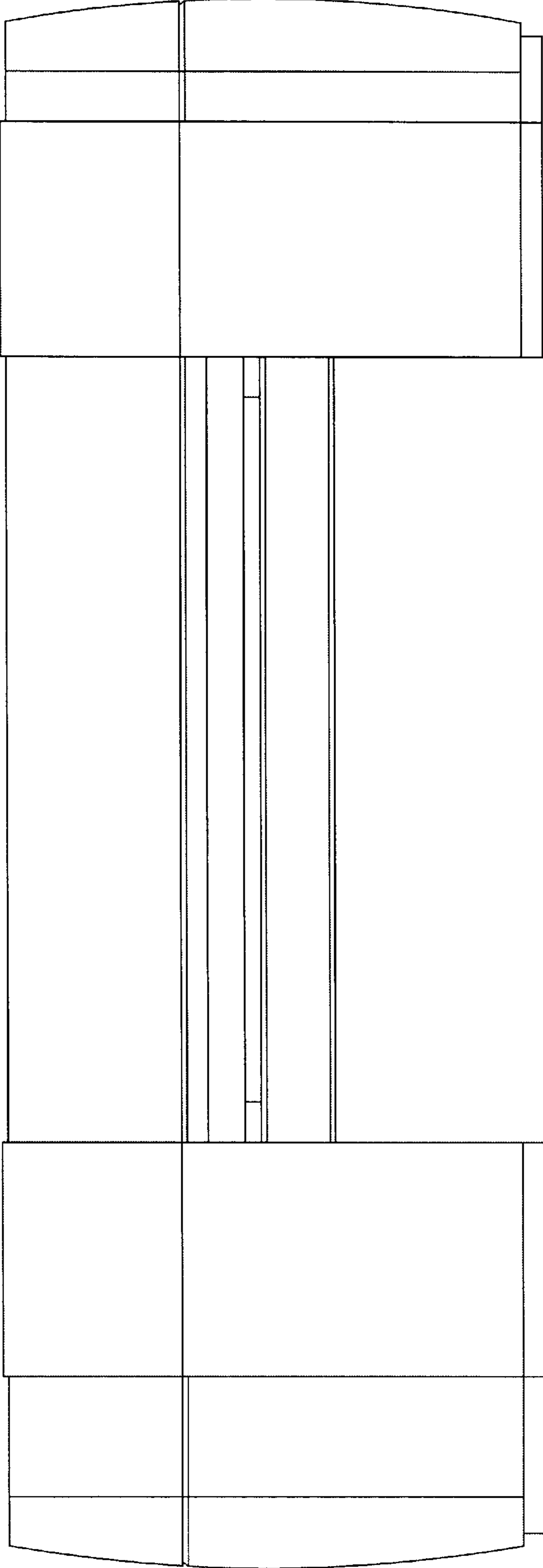


FIG. 4

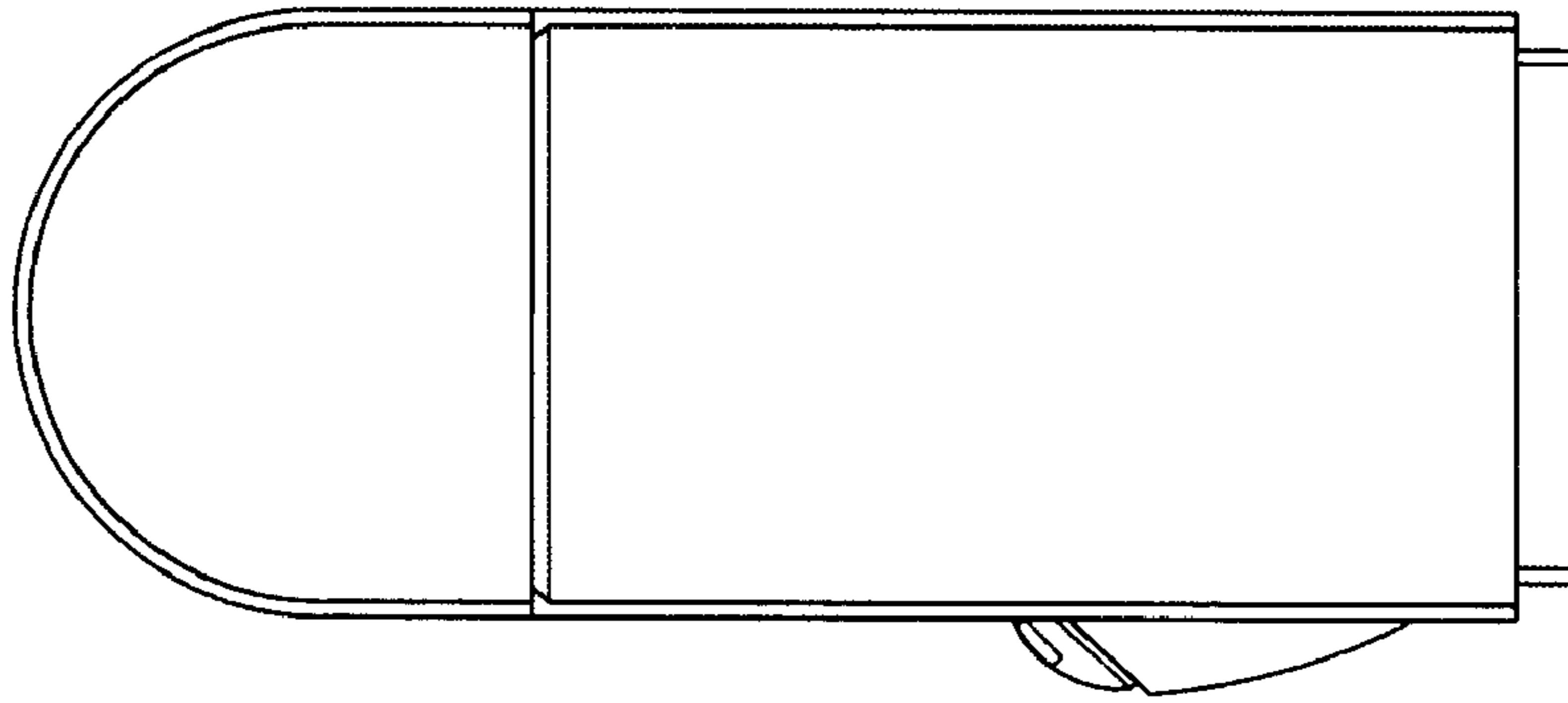


FIG. 6

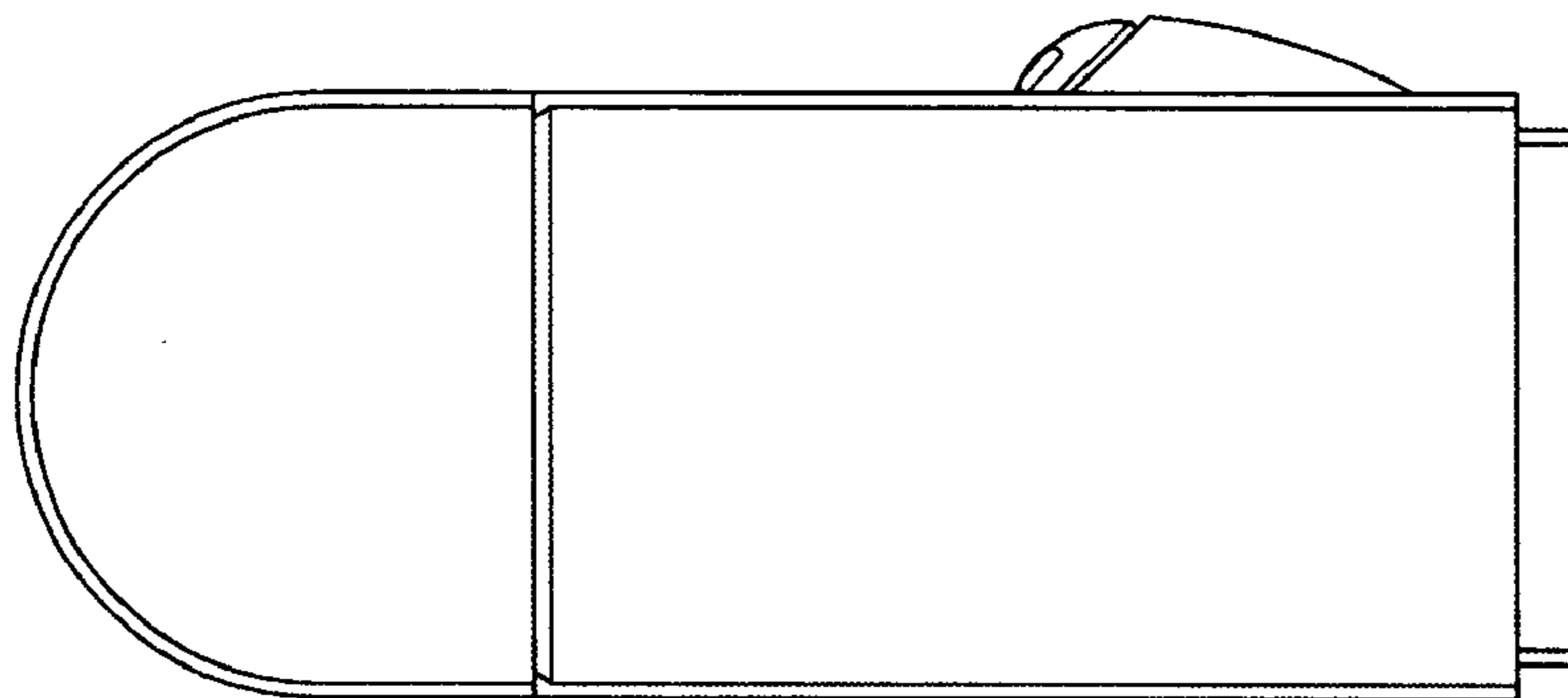


FIG. 5

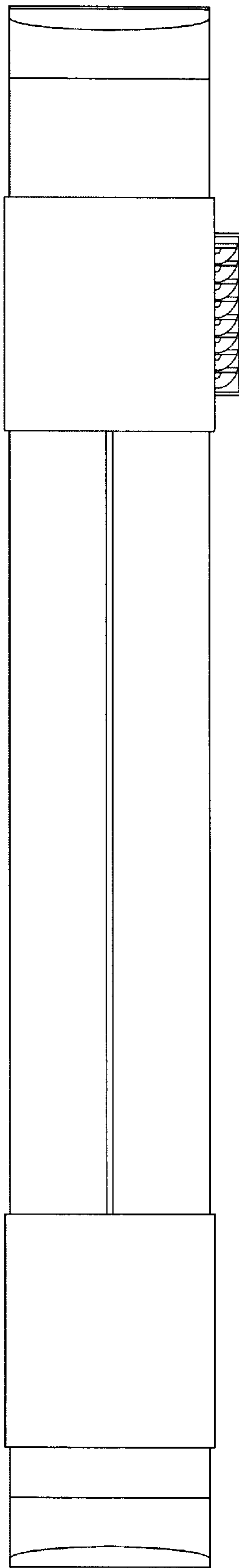


FIG. 7