



US00D531205S

(12) **United States Design Patent**  
**Okino**

(10) **Patent No.:** **US D531,205 S**

(45) **Date of Patent:** **\*\* Oct. 31, 2006**

(54) **DEVELOPER SUPPLYING CONTAINER**

(75) Inventor: **Ayatomo Okino**, Moriya (JP)

(73) Assignee: **Canon Kabushiki Kaisha**, Tokyo (JP)

(\*\*) Term: **14 Years**

(21) Appl. No.: **29/244,354**

(22) Filed: **Dec. 9, 2005**

(30) **Foreign Application Priority Data**

Sep. 14, 2005 (JP) ..... 2005-026587

(51) **LOC (8) Cl.** ..... **16-03**

(52) **U.S. Cl.** ..... **D18/43**

(58) **Field of Classification Search** ..... D18/12,  
D18/36, 40, 43, 44, 56; D14/462, 469-471,  
D14/474-484; 222/DIG. 1; 347/49, 86, 87,  
347/197, 214, 222; 399/24-28, 107-112,  
399/119, 222-224; 400/194, 196, 207, 208

See application file for complete search history.

(56) **References Cited**

**U.S. PATENT DOCUMENTS**

- 3,338,410 A \* 8/1967 South ..... D18/43
- 3,920,325 A \* 11/1975 Swift ..... 399/107
- 4,386,839 A \* 6/1983 Kumagai et al. .... 399/116
- 4,688,926 A \* 8/1987 Manno ..... 222/DIG. 1
- D330,215 S \* 10/1992 Saito et al. .... D18/43
- D337,259 S \* 7/1993 Curtis et al. .... D9/688
- D384,368 S \* 9/1997 Agata et al. .... D18/43
- 5,765,059 A \* 6/1998 Kosuge et al. .... 399/224

- D398,634 S \* 9/1998 Katayama et al. .... D18/43
- D399,870 S \* 10/1998 Okada et al. .... D18/43
- 5,867,751 A \* 2/1999 Nomura et al. .... 399/111
- D414,507 S \* 9/1999 Nozawa et al. .... D18/43
- D478,118 S \* 8/2003 Neri ..... D18/40
- D490,843 S \* 6/2004 Minagawa et al. .... D18/43
- D502,731 S \* 3/2005 Yamada ..... D18/43
- 6,876,827 B1 \* 4/2005 Michlin ..... 399/111
- 2001/0028811 A1 \* 10/2001 Kojima et al. .... 399/111
- 2002/0028087 A1 \* 3/2002 Higeta et al. .... 399/109
- 2004/0131389 A1 \* 7/2004 Tazawa et al. .... 399/258

\* cited by examiner

*Primary Examiner*—Caron Veynar

*Assistant Examiner*—Garth Rademaker

(74) *Attorney, Agent, or Firm*—Fitzpatrick, Cella, Harper & Scinto

(57) **CLAIM**

The ornamental design for a developer supplying container, as shown.

**DESCRIPTION**

FIG. 1 is a front view of a developer supplying container showing my new design;

FIG. 2 is a rear view thereof;

FIG. 3 is a top plan view thereof;

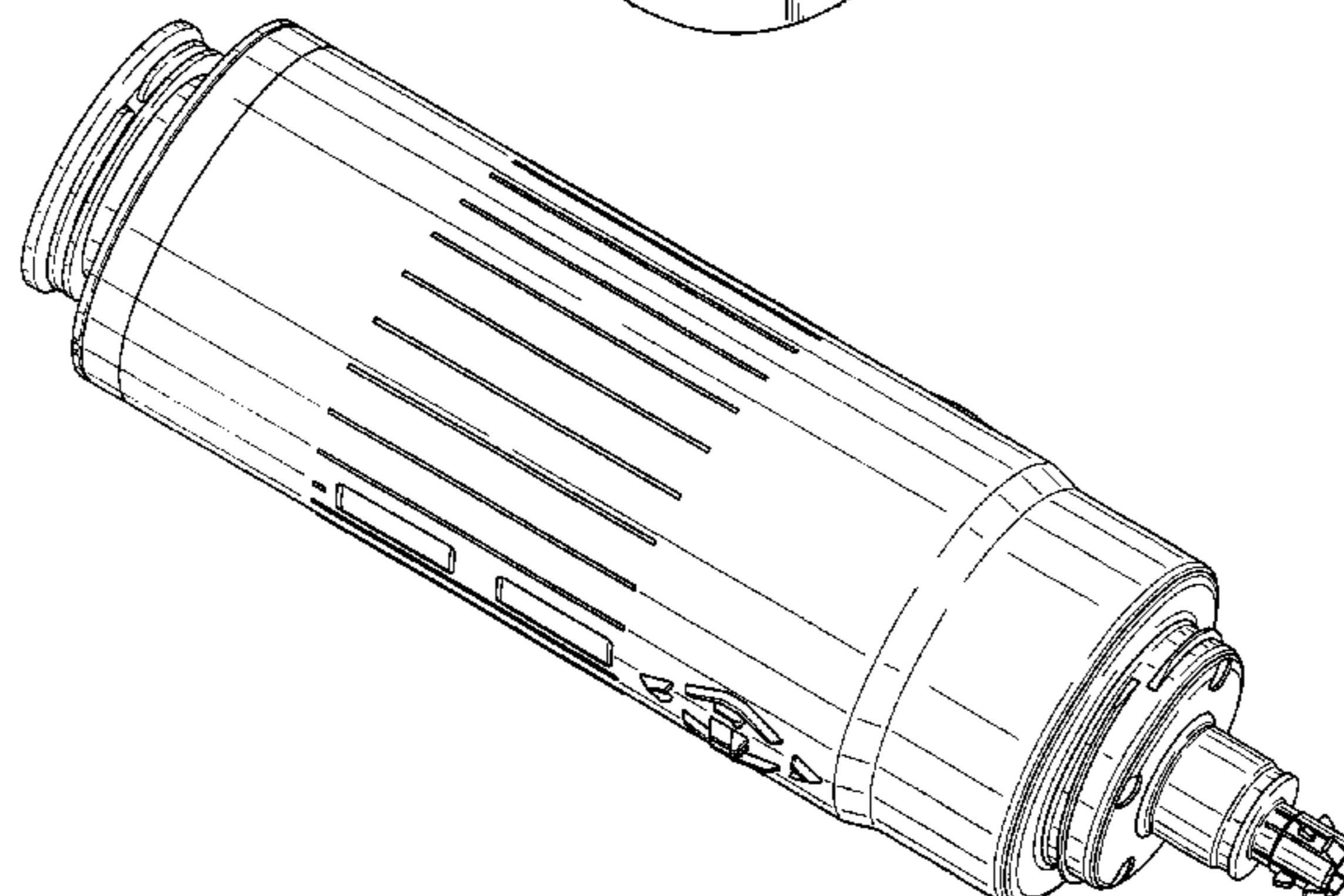
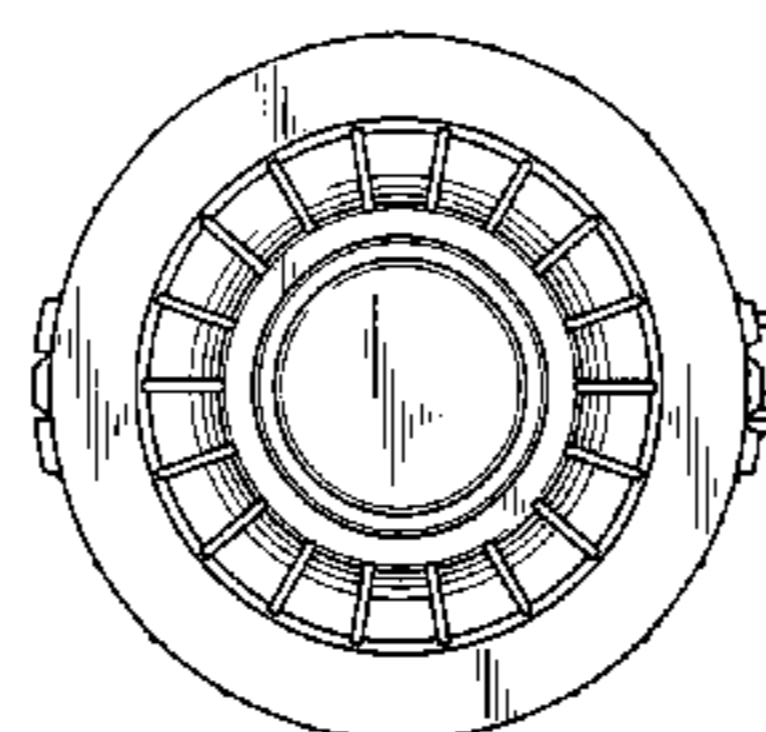
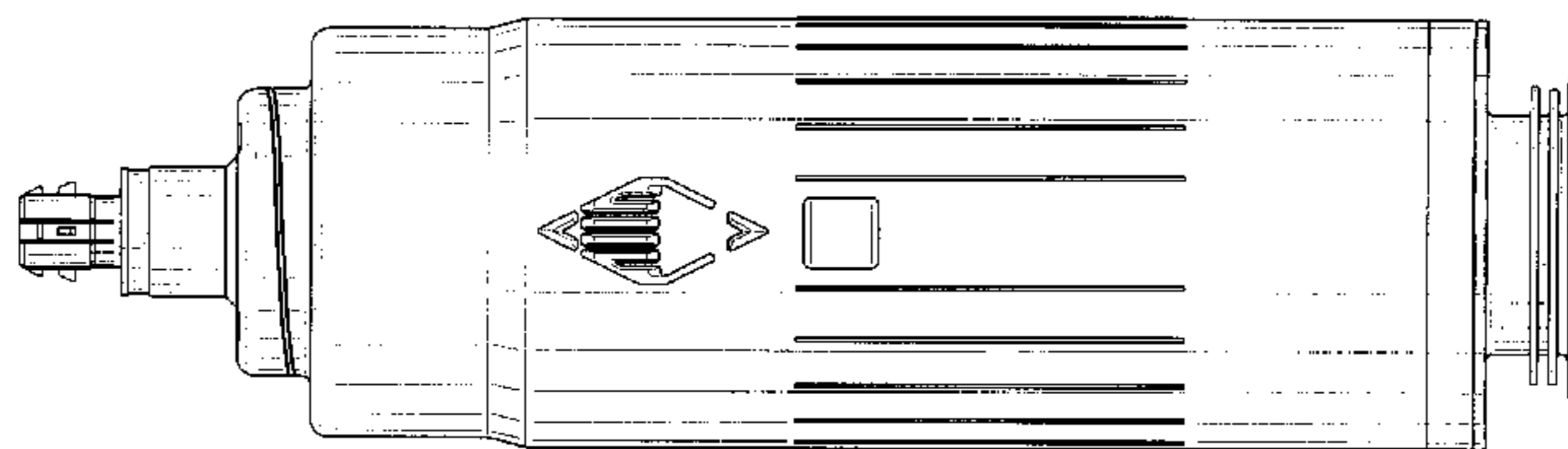
FIG. 4 is a bottom plan view thereof;

FIG. 5 is a left side view thereof;

FIG. 6 is a right side view thereof; and,

FIG. 7 is a perspective view thereof.

**1 Claim, 6 Drawing Sheets**



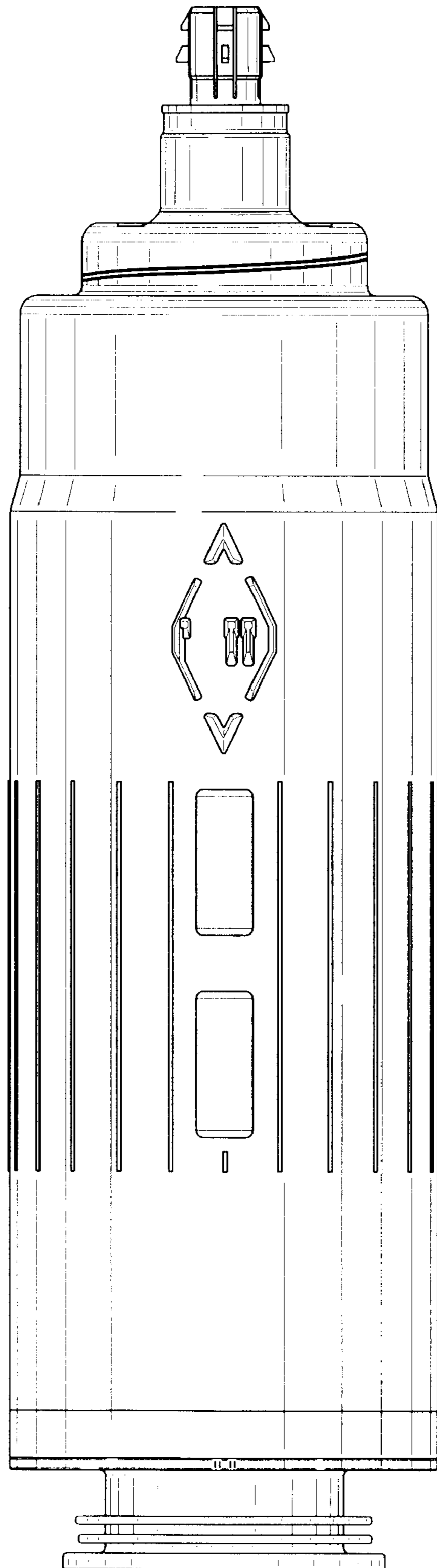


FIG. 1

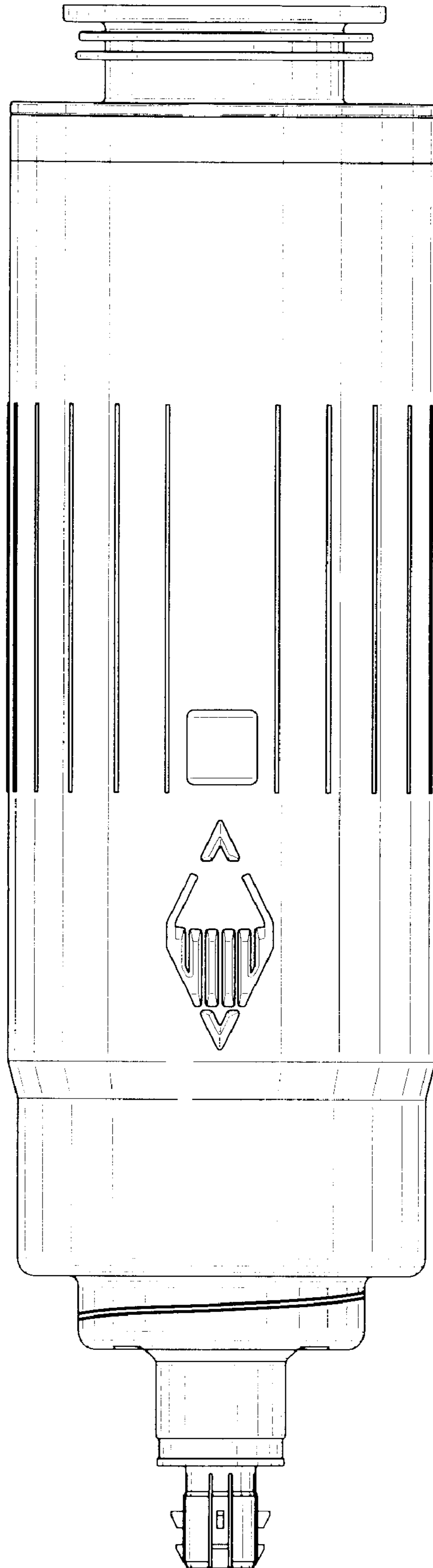


FIG. 2

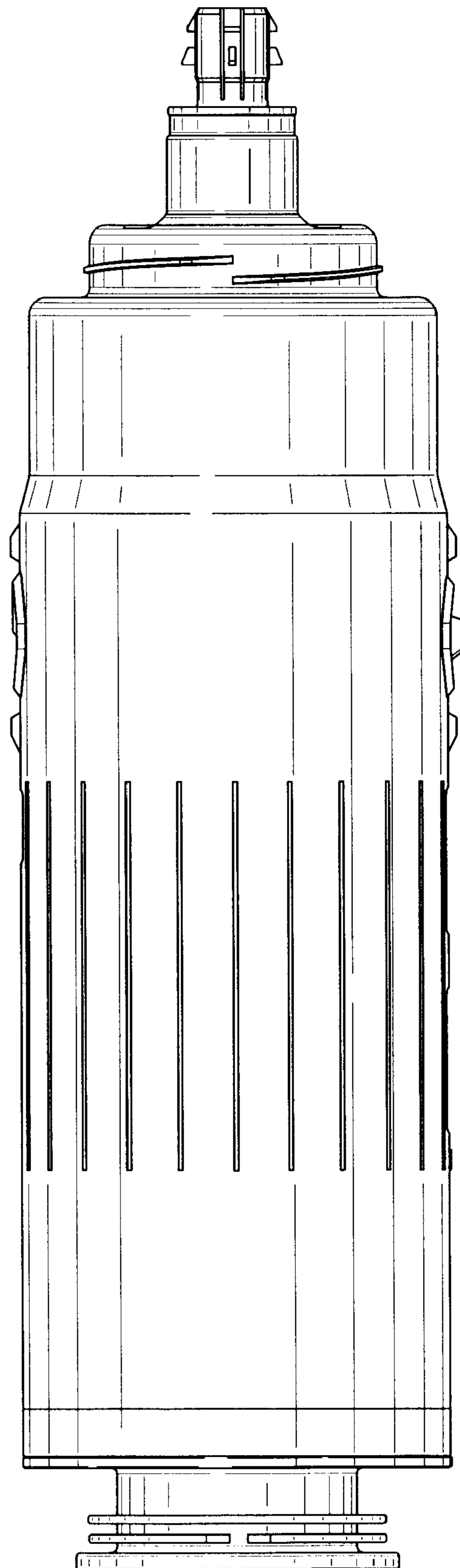


FIG. 3

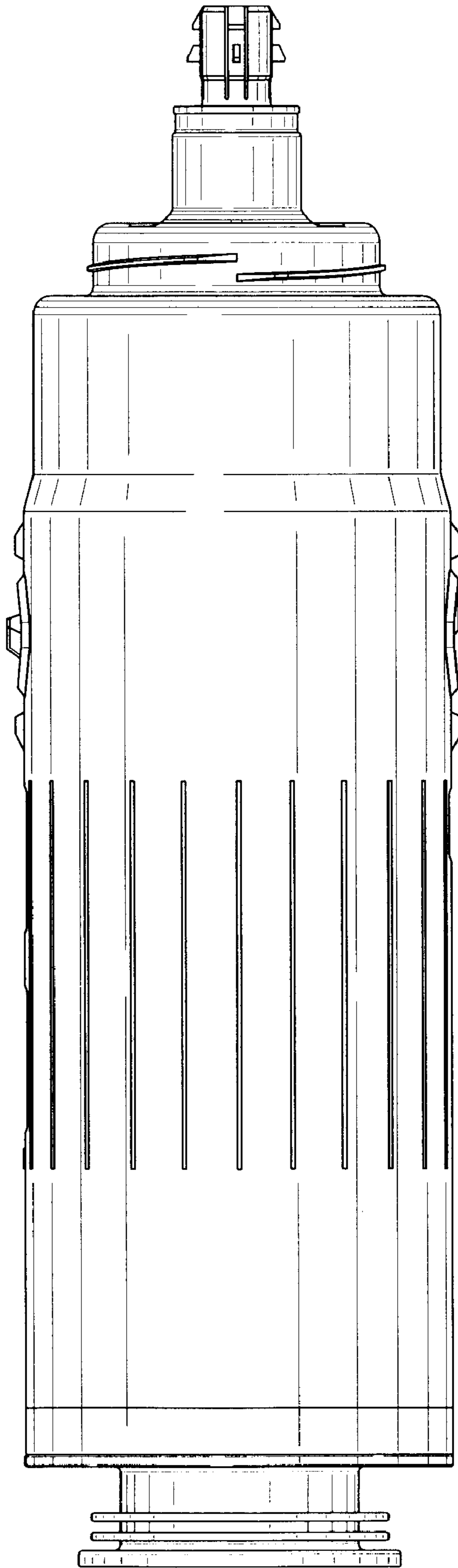
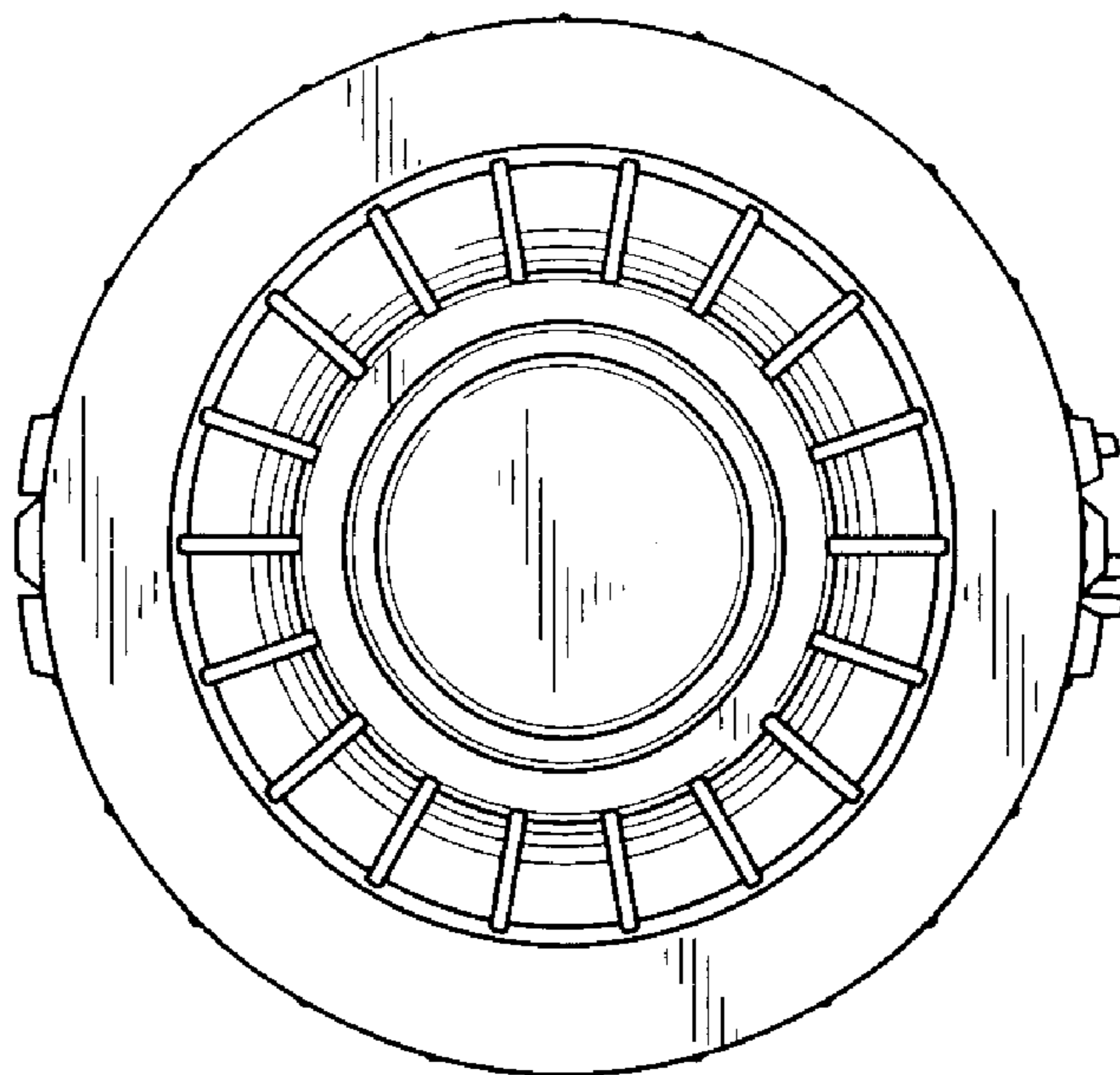
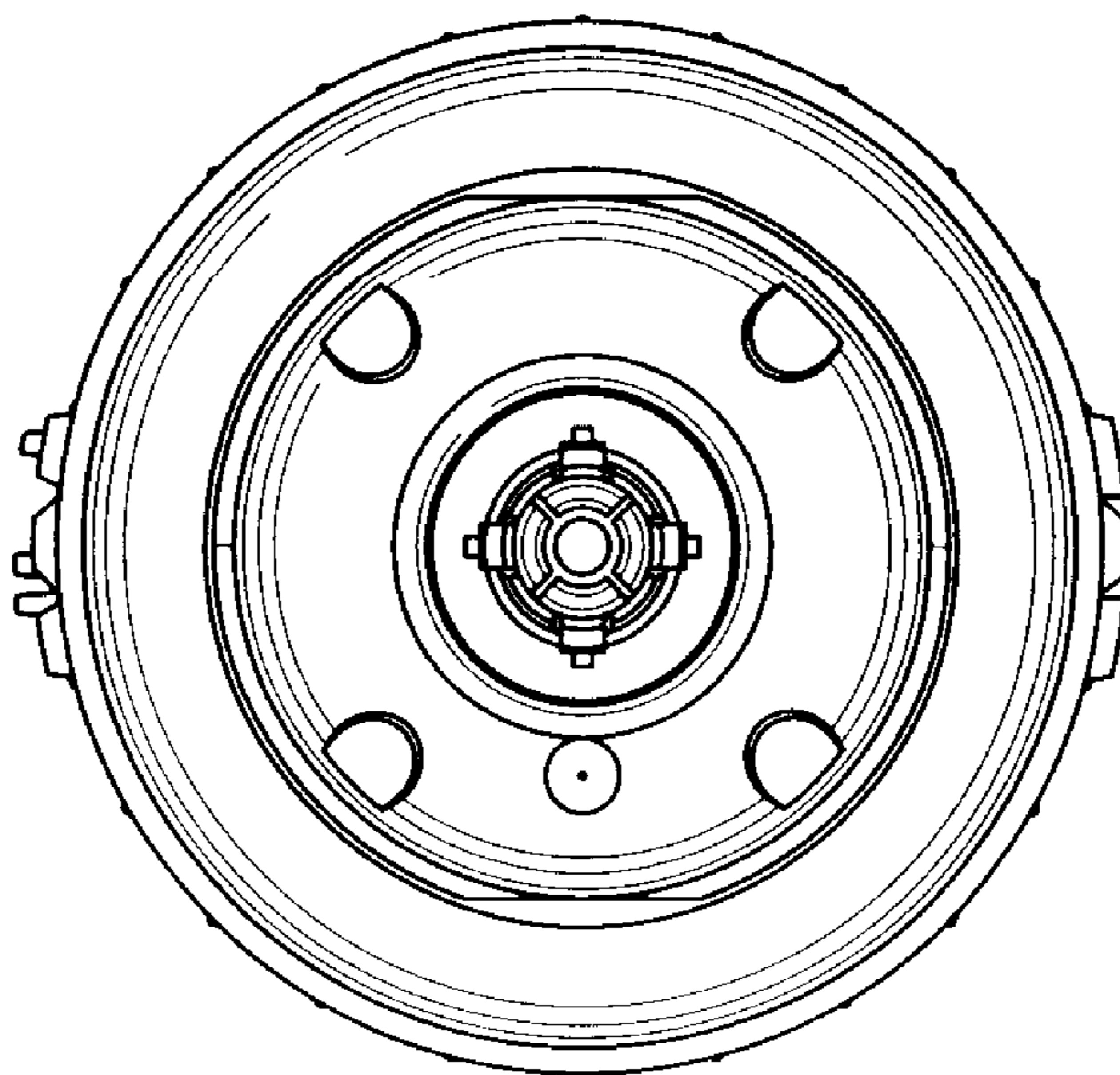


FIG. 4



**FIG. 5**



**FIG. 6**

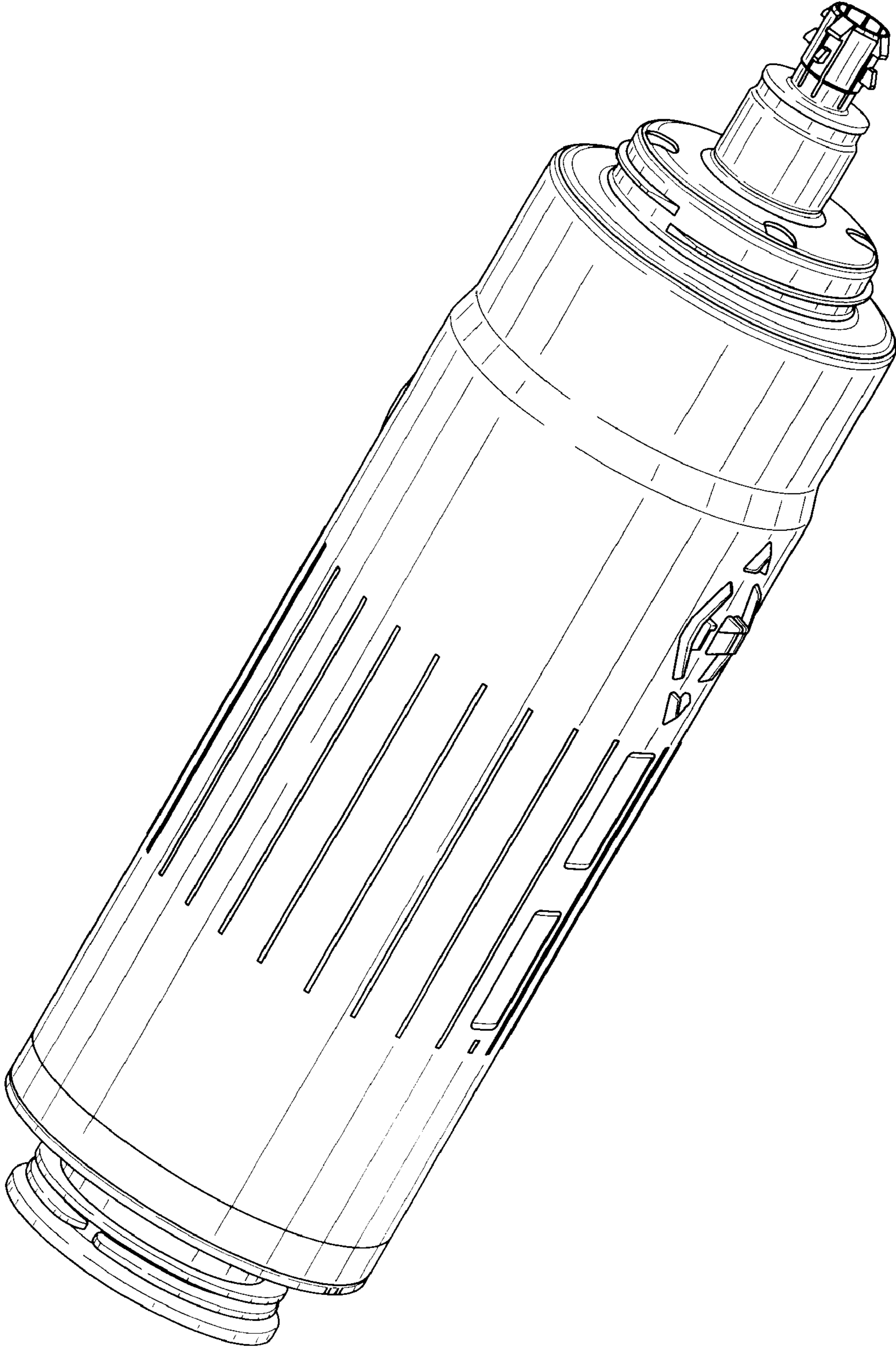


FIG. 7