



US00D531204S

(12) **United States Design Patent**
Nakamura

(10) **Patent No.:** **US D531,204 S**
(45) **Date of Patent:** **** Oct. 31, 2006**

(54) **PAPER CUTTER**

(75) Inventor: **Tomoyoshi Nakamura**, Kamagaya (JP)

(73) Assignee: **Carl Manufacturing Co., Ltd.** (JP)

(**) Term: **14 Years**

(21) Appl. No.: **29/217,662**

(22) Filed: **Nov. 19, 2004**

(30) **Foreign Application Priority Data**

Jun. 15, 2004 (JP) 2004-017775

(51) **LOC (8) Cl.** **18-04**

(52) **U.S. Cl.** **D18/34.8**

(58) **Field of Classification Search** D18/34.3,
D18/34.7, 34.8, 34.9; 83/167, 745, 544, 565,
83/614; 30/151, 292, 294, 319; D10/64, 65;
297/452.42

See application file for complete search history.

(56) **References Cited**

U.S. PATENT DOCUMENTS

D319,840 S	*	9/1991	Hatsumi et al.	D18/34.8
D322,974 S	*	1/1992	Mori	D18/34.8
D348,271 S	*	6/1994	Mori	D18/34.8
D381,359 S	*	7/1997	Mori	D18/34.8
D387,377 S	*	12/1997	Daley, Jr.	D18/34.8
D411,227 S	*	6/1999	Mori	D18/34.9

D415,519 S	*	10/1999	Mori	D18/34.8
D417,693 S	*	12/1999	Daley, Jr.	D18/34.8
D469,461 S	*	1/2003	Gstalter	D18/34.8
D501,500 S	*	2/2005	Schultz et al.	D18/34.8
D505,446 S	*	5/2005	Davies et al.	D18/34.7
2002/0096931 A1	*	7/2002	White et al.	297/452.42
2005/0172774 A1	*	8/2005	Tseng	83/614

* cited by examiner

Primary Examiner—Charles A. Rademaker

(74) *Attorney, Agent, or Firm*—Wood, Phillips, Katz, Clark & Mortimer

(57) **CLAIM**

The ornamental design for a paper cutter, as shown and described.

DESCRIPTION

FIG. 1 is a front, top and side perspective view of my design for a paper cutter;

FIG. 2 is a top view thereof;

FIG. 3 is a bottom view thereof;

FIG. 4 is a rear elevation view thereof;

FIG. 5 is a front elevation view thereof;

FIG. 6 is a side view thereof from the same side as in FIG. 1; and,

FIG. 7 is an elevation view thereof from the side opposite that in FIG. 1.

1 Claim, 4 Drawing Sheets

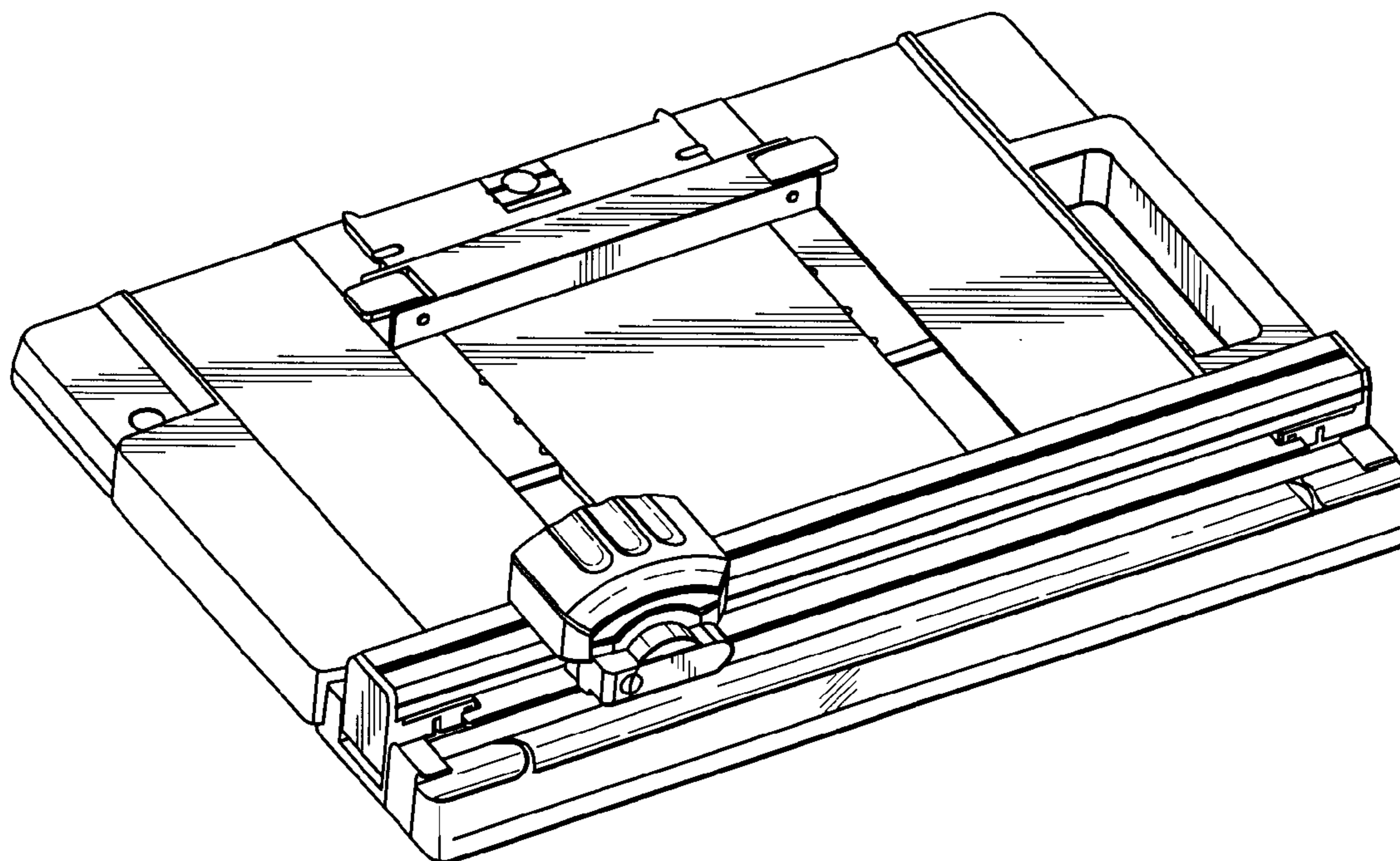


Fig. 1

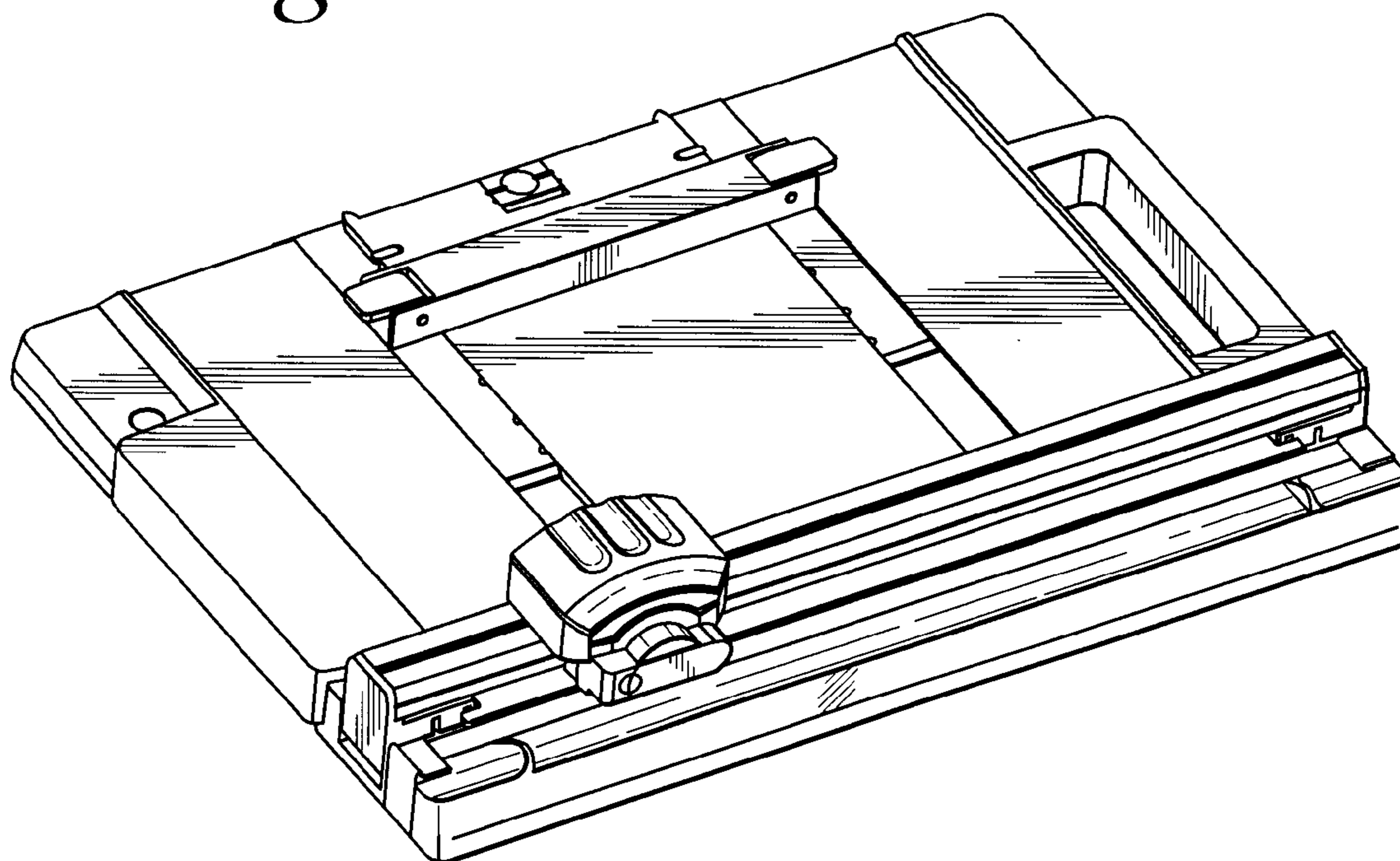


Fig. 2

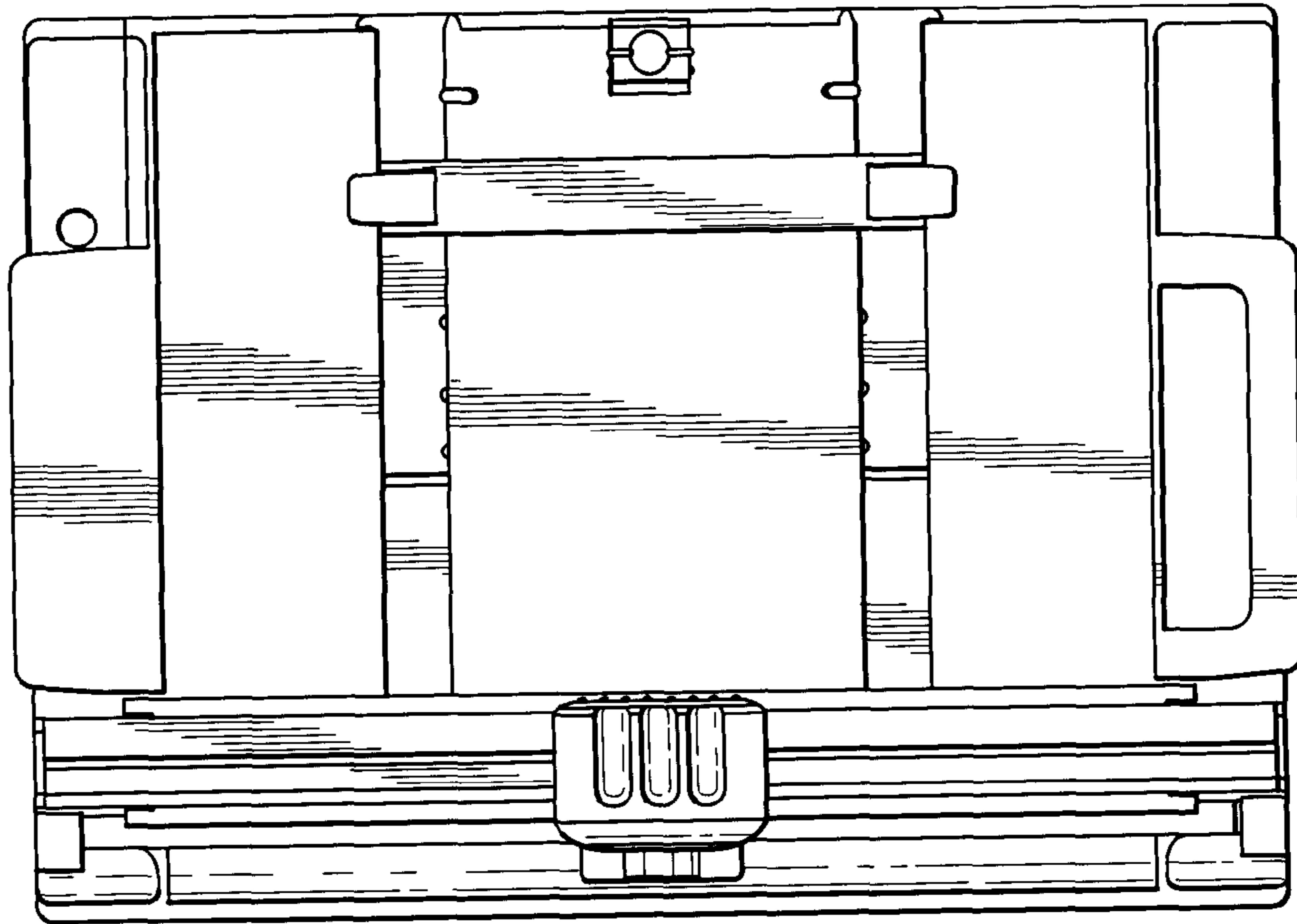


Fig. 3

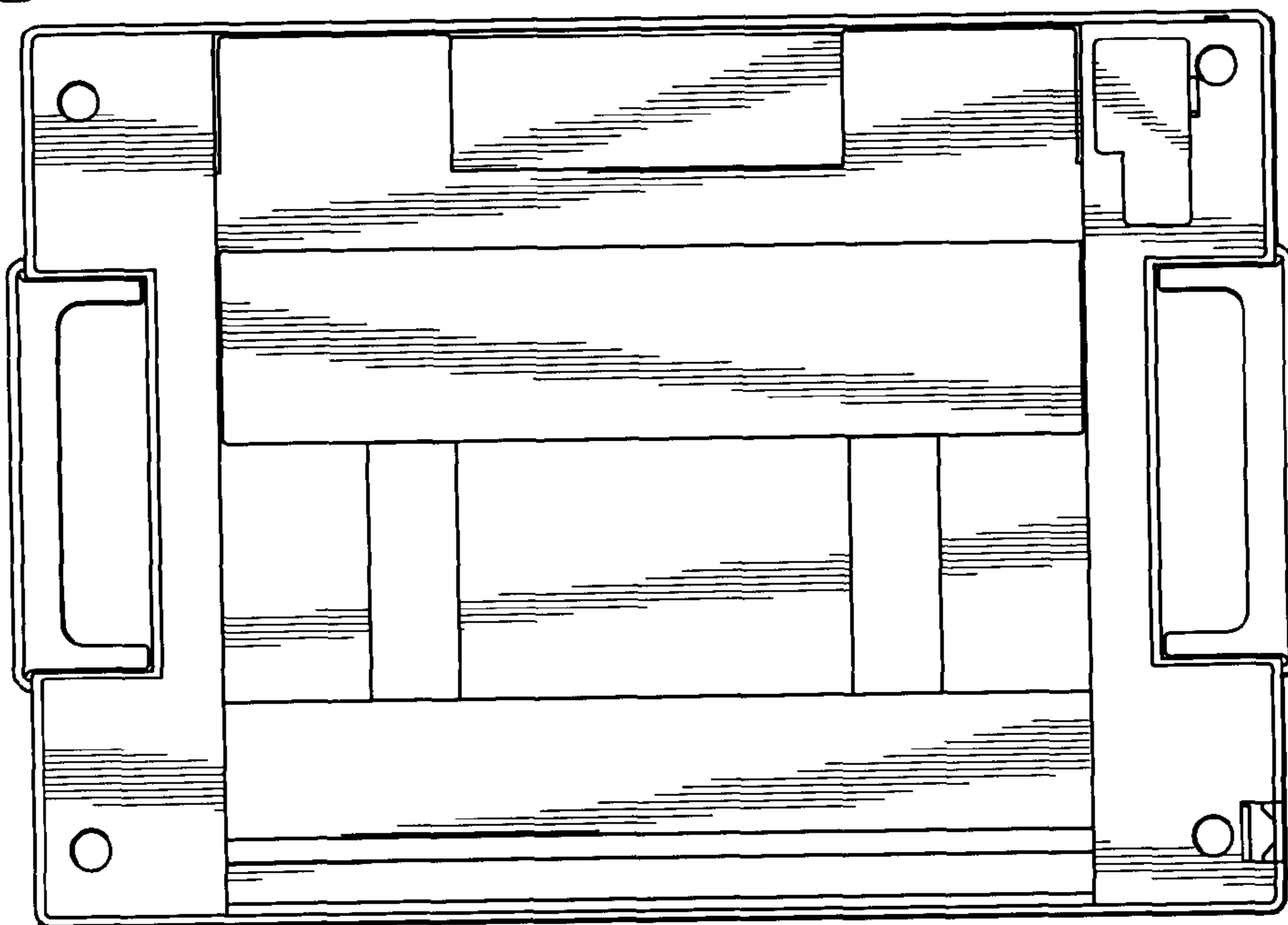


Fig. 4

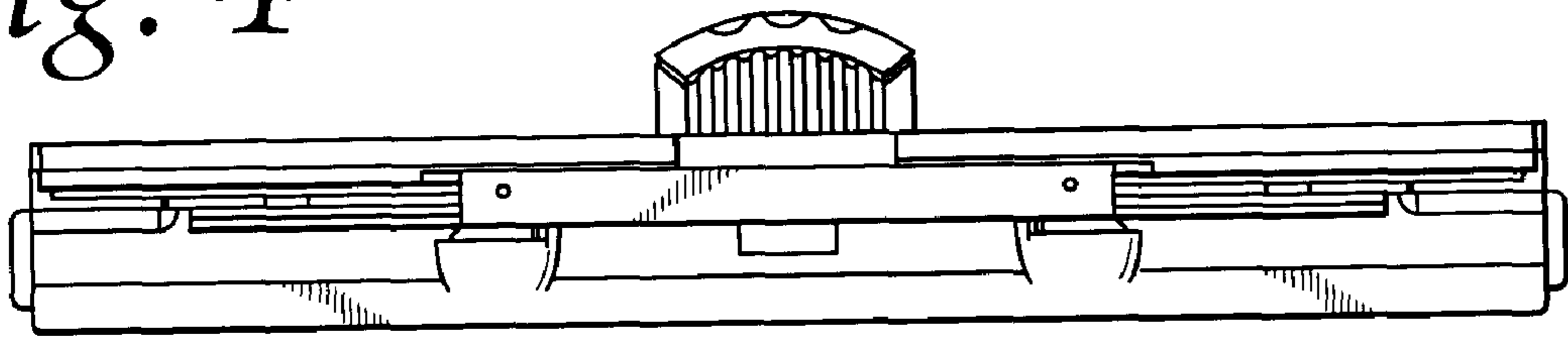


Fig. 5

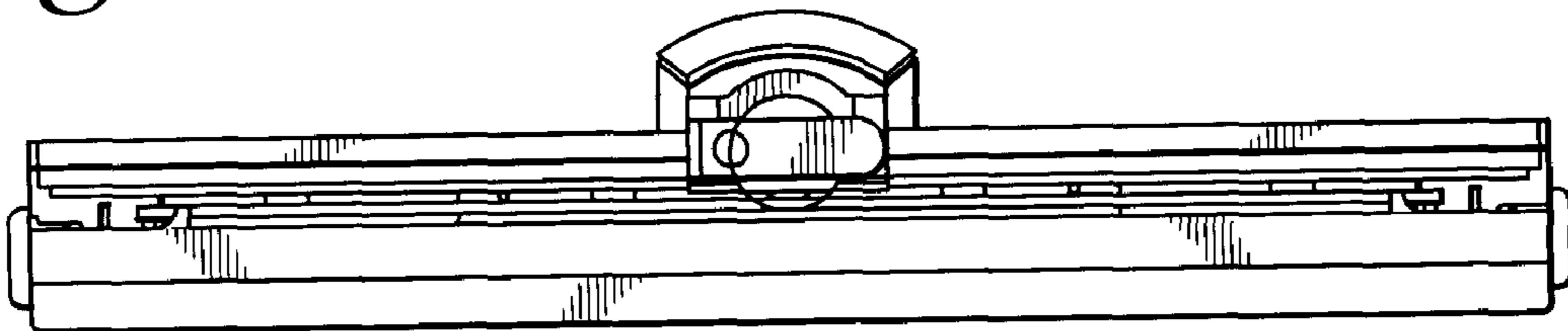


Fig. 6

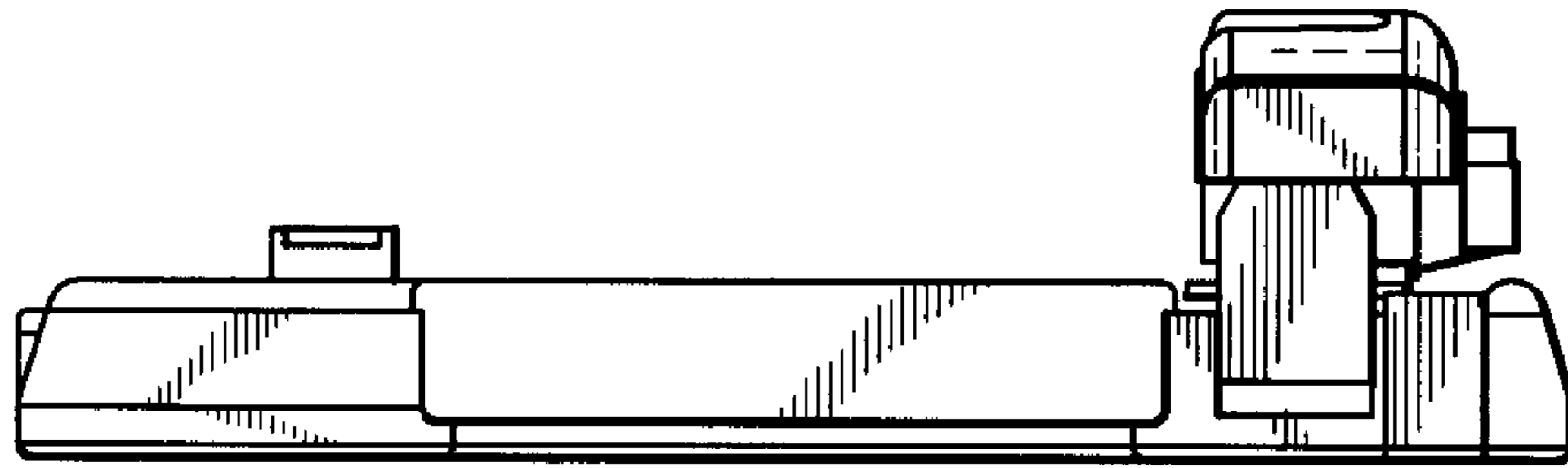


Fig. 7

